

## ATV



**ATV**

Trinciatrice a motore



**ATV WHT**

Trinciatrice a motore



**ATV OT**

Trinciatrice per QUAD/ATV con  
cassone

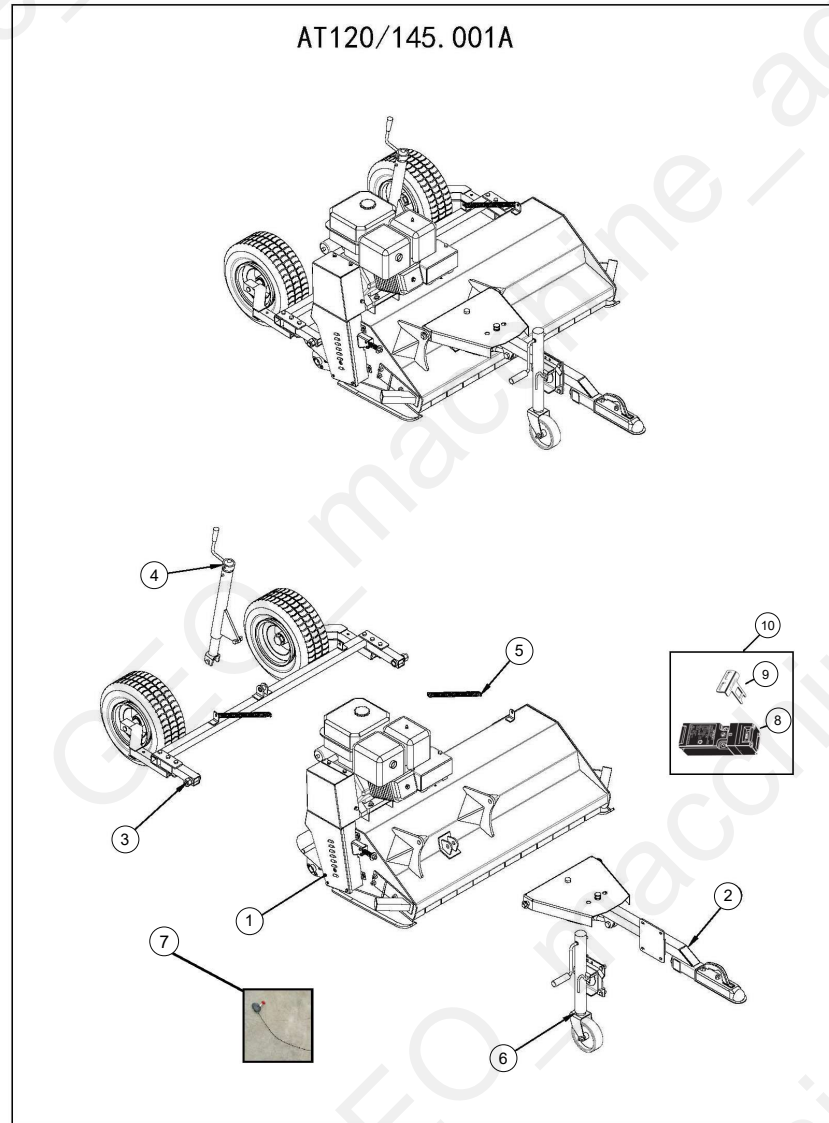
# Table of Contents

<b>Tavola</b>	<b>Page</b>
ATV	3
ATV2017-2019	27
ATV2012_2017	44
ATV2008-2011	57
ATV WHT	70
ATV OT	81

## ATV



GEO Italy S.R.L.

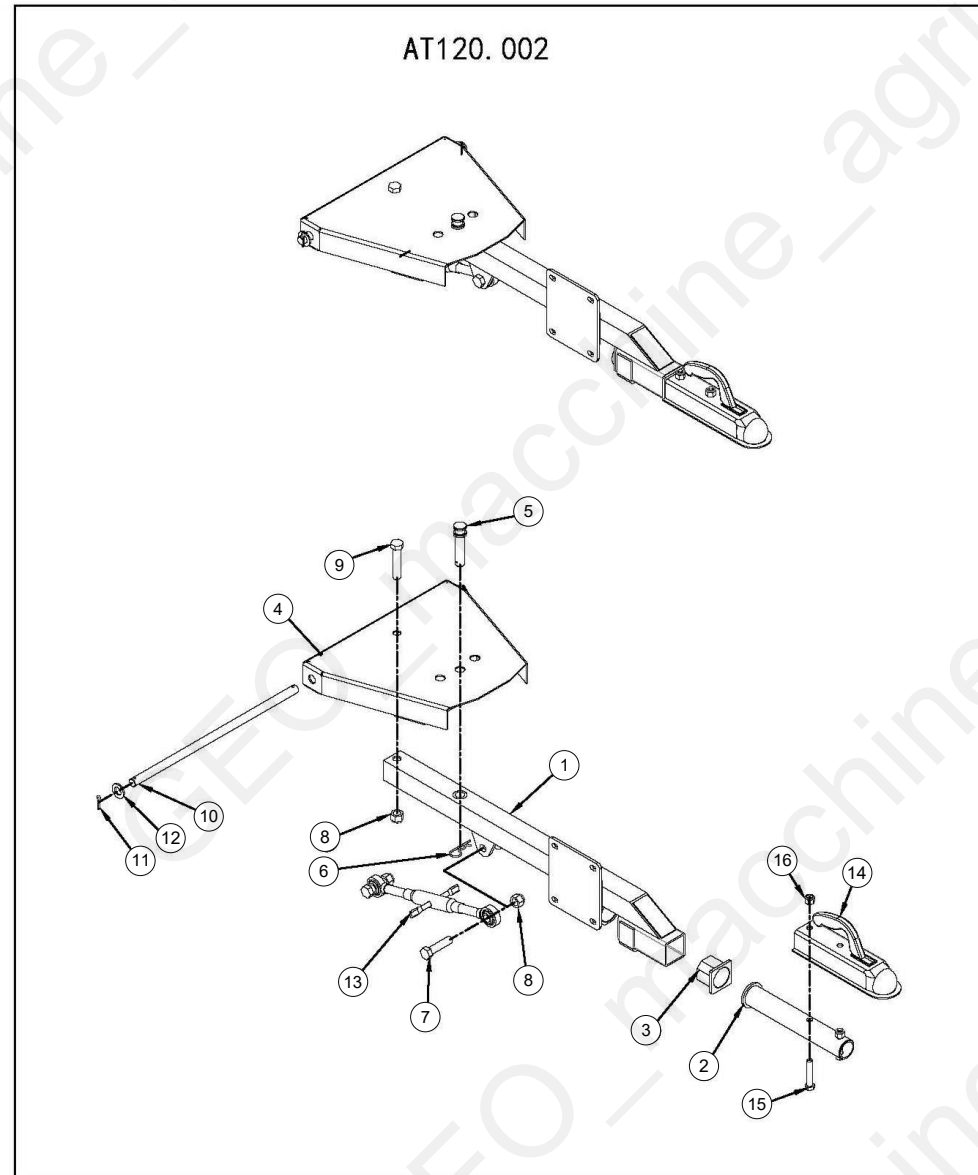


Machine: ATV

Assembly: ATV\_2020\_PARTE1



Pos	Code	Description	NOTE	Q.
2	AT145.002	TOW BAR,ASSEMBLY		1
4	AT120.004	jack		1
5	AT120.103	spring		2
6	04.00.1.2	Kit Piedino		1
7	04.00.1.4	Throttle cable		1
8	04.00.1.7	Control Switch		1
9	04.00.1.6	KEY Switch		1
10	04.00.1.8	Safety Switch Ass.		1



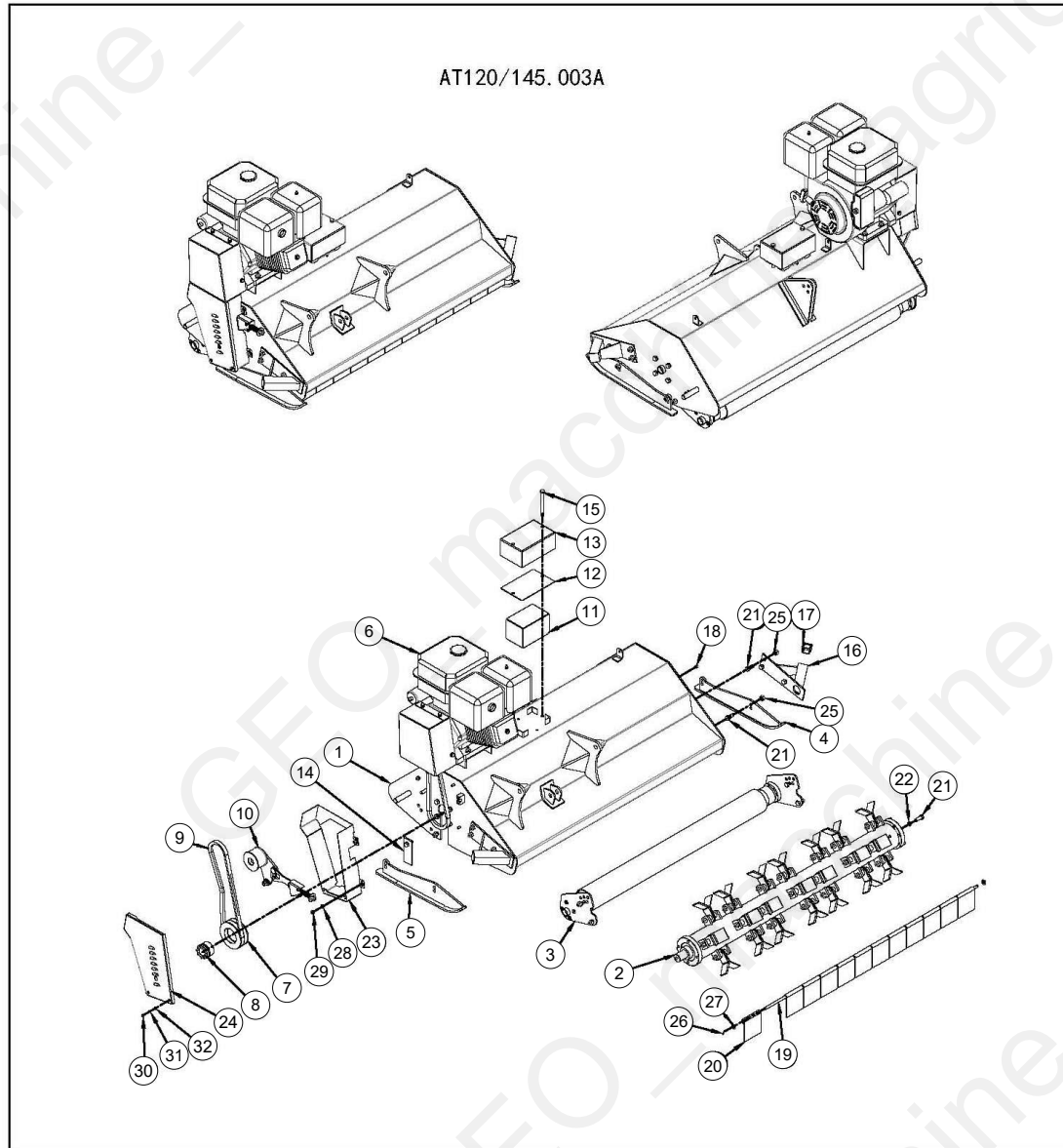
Machine: ATV

Assembly: ATV\_2020\_PARTE2



Pos	Code	Description	NOTE	Q.
1	AT120.015	pulled pipe weldment		1
2	AT120.014	link pipe		1
3	AT120.105	bush		2
4	AT120.016	link plate weldment		1
5	AT120.106	pin		1
6	RP 3.2	R-PIN 3.2		1
7	GB5782-M16x65	Bolt M16x65		2
8	GB889.1-M16	Locking nut M16		3
9	GB5782-M16x80	Bolt M16x80		1
10	AT120.108	rod		1
11	GB91-5x30	COTTER 5x30		2
12	GB97.1-18	Plain washer 18		2
13	AT120.017	adjuster		1
14	QT50	Trailer coupler 2"		1
15	GB5782-M12x65	Bolt M12x65		2
16	GB889.1-M12	Locking nut M12		2

AT120/145. 003A





Machine: ATV

Assembly: ATV\_2020\_PARTE3



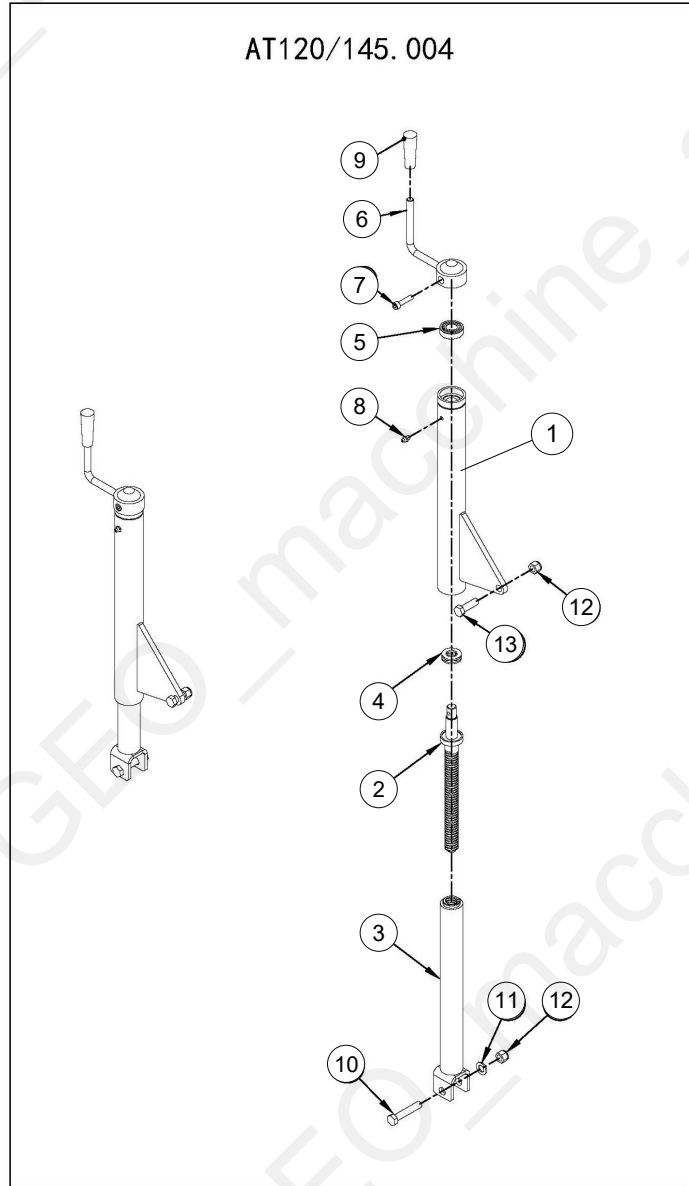
Pos	Code	Description	NOTE	Q.
1	AT120.018A	DECK,WELDMENT		1
1	AT145.018A	DECK,WELDMENT		1
4	AT120.021	Left Skid		1
5	AT120.022	Right Skid		1
7	EFG120.105.3	small belt pulley 120mm 3 grooves		1
8	REACH 04-35x60	LOCKING DEVICE 04-35x60		1
9	GBT1154-B1050	V-BELT B1050		2
10	AT120.009A	BELT TENSIONING DEVICE,ASSEMBLY		1
10	AT145.009A	BELT TENSIONING DEVICE,ASSEMBLY		1
11	6-DZM-14	Battery 6-DZM-14		1
12	AT120.131	Isolation Plate		1
13	AT120.132	Battery Cover		1
14	AT120.124	CLOSE PLATE		1
15	GB5782-M10x120	half thread bolt		2
16	AT120.013	Side Guard		2
17	AT120.104	Plug		2
18	GB1152- M8x1	GREASE NIPPLE M8x1		1
19	AT120.111	Stick		1
19	AT145.111	SHAFT,FENDER		1
20	EFGC125.113	Fender		12
20	EFGC125.113	Fender		45
21	GB5783-M12x30	Bolt M12X30		19
22	GB93-12	spring washer 12		9
23	AT120.011A	LOWER BRACKET,WELDMENT		1
23	AT145.011A	LOWER BRACKET,WELDMENT		1

Machine: ATV

Assembly: ATV\_2020\_PARTE3



Pos	Code	Description	NOTE	Q.
24	AT120.101A	LOWER COVER		1
25	GB889.1-M12	Locking nut M12		10
26	GB91-3.2x16	cotter pin 3.2x16		2
27	GB97.1-10	PLAIN WASHER 10		3
28	GB97.1-8	Plain washer 8		4
29	GB889.1-M8	Locking nut M8		4
30	GB5783-M6x12	bolt M6X12		2
31	GB93-6	spring washer 6		2
32	GB97.1-6	Plain washer 6		2

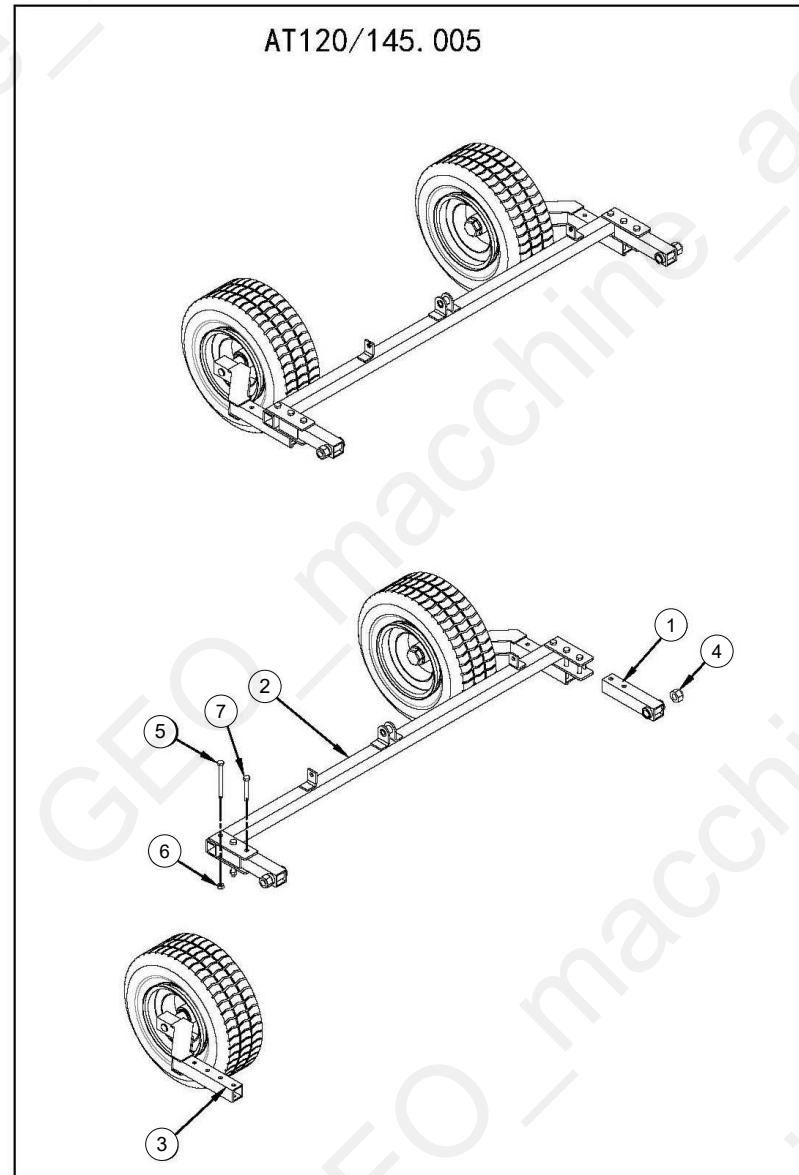


Machine: ATV

Assembly: ATV\_2020\_PARTE4



Pos	Code	Description	NOTE	Q.
1	AT120.028	outside pipe		1
2	AT120.029	screw thread rod		1
3	AT120.030	inside pipe		1
4	GB301-51104	Bearing 51104-8104		1
5	GB276-600104	BEARING 600104		1
6	AT120.027	handle		1
7	GB70.1-M8x35	bolt M8X35		1
8	GB1152-M8x1	Grease Nipple M8x1		1
9	AT120.120	Handle Sleeve		1
10	GB5782-M12x65	Bolt M12x65		1
11	GB97.1-12	plain washer 12		1
12	GB889.1-M12	Locking nut M12		2
13	GB5783-M12x40	bolt M12x40		1

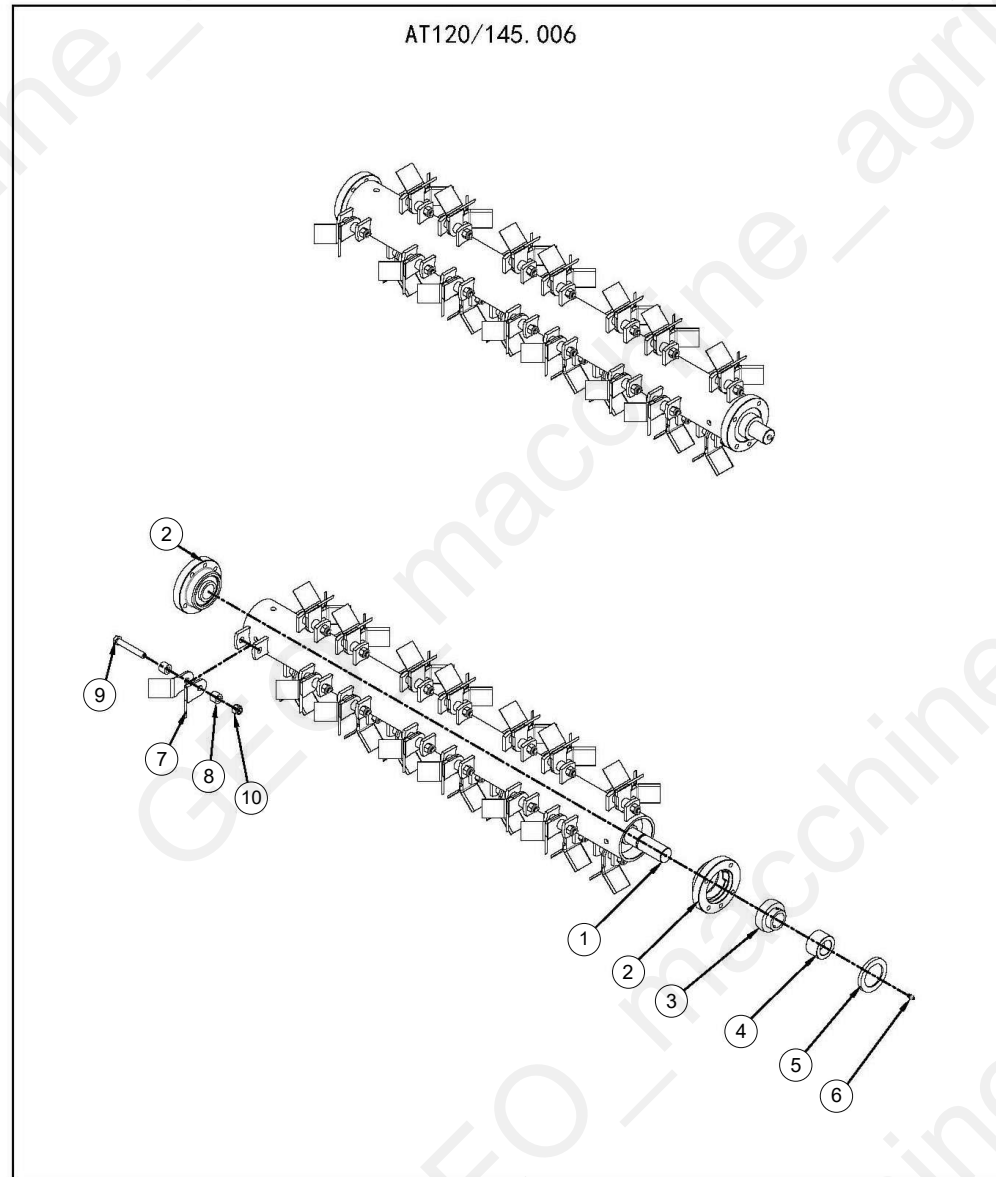


Machine: ATV

Assembly: ATV\_2020\_PARTE5



Pos	Code	Description	NOTE	Q.
1	AT120.031	linkage		2
2	AT120.032	wheel frame		1
2	AT145.032	WHEEL CARRIER?WELDMENT		1
3	AT120.005-A	TYRE ASSEMBLY		2
4	GB889.1-M20	Locking nut M20		2
5	GB5782-M10x110	Bolt M10x110		4
6	GB889.1-M10	Locking nut M10		6
7	GB5782-M10x70	Bolt M10x70		2



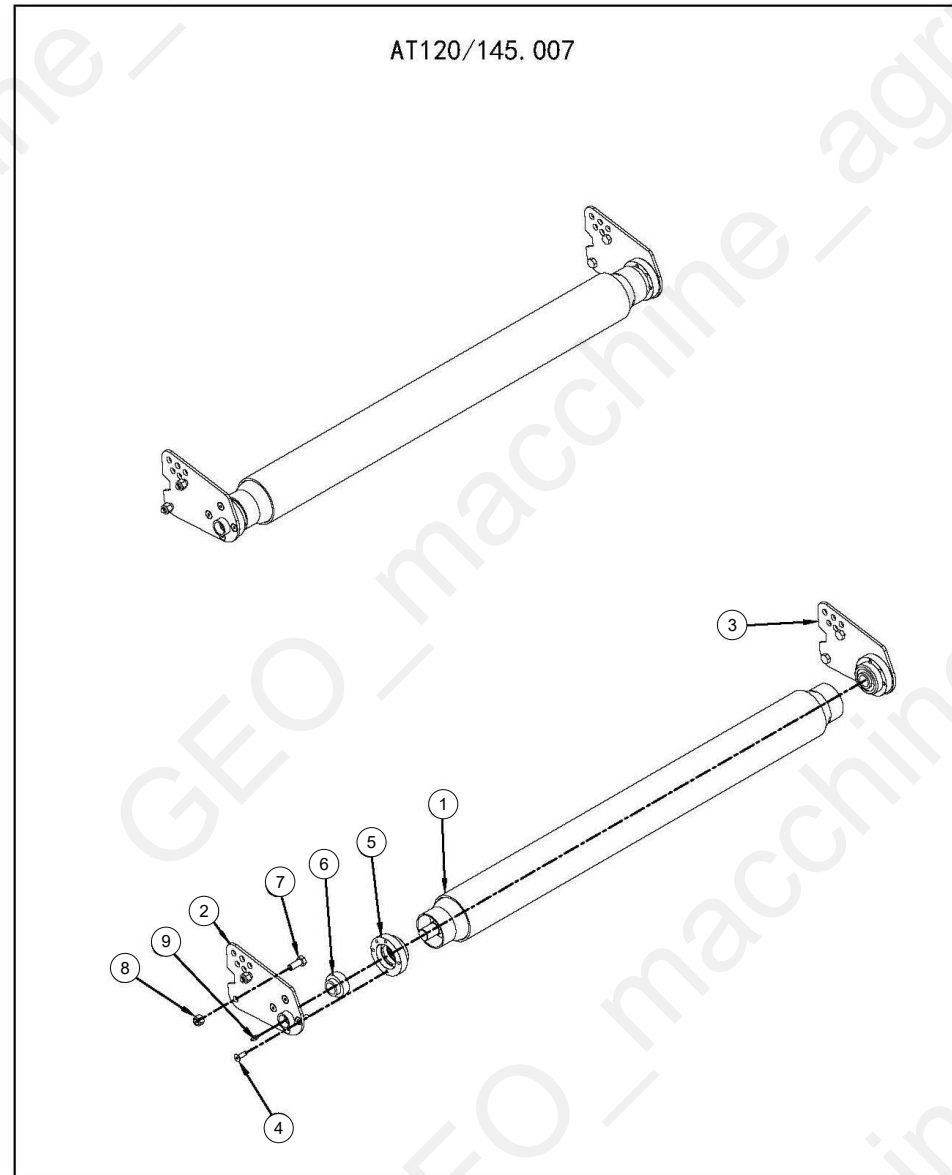
Machine: ATV

Assembly: ATV\_2020\_PARTE6



Pos	Code	Description	NOTE	Q.
1	AT120.026	Blade Axle		1
2	EFGC125.115	Flange Bearing UC 207		2
3	UC207	Bearing UC207		2
4	RK120.109.3	Spacer lower for Pulley 3 grooves		1
5	GB13871-55x80x8	Oil Seal 55x80x8		1
6	GB1152- M8x1	GREASE NIPPLE M8x1		1
7	ef.100.00.102	Blade Ø 12		56
8	ef.100.00.103	Spacer 12		56
9	GB5782-M12x80	Bolt M12x80		28
10	GB889.1-M12	Locking nut M12		28





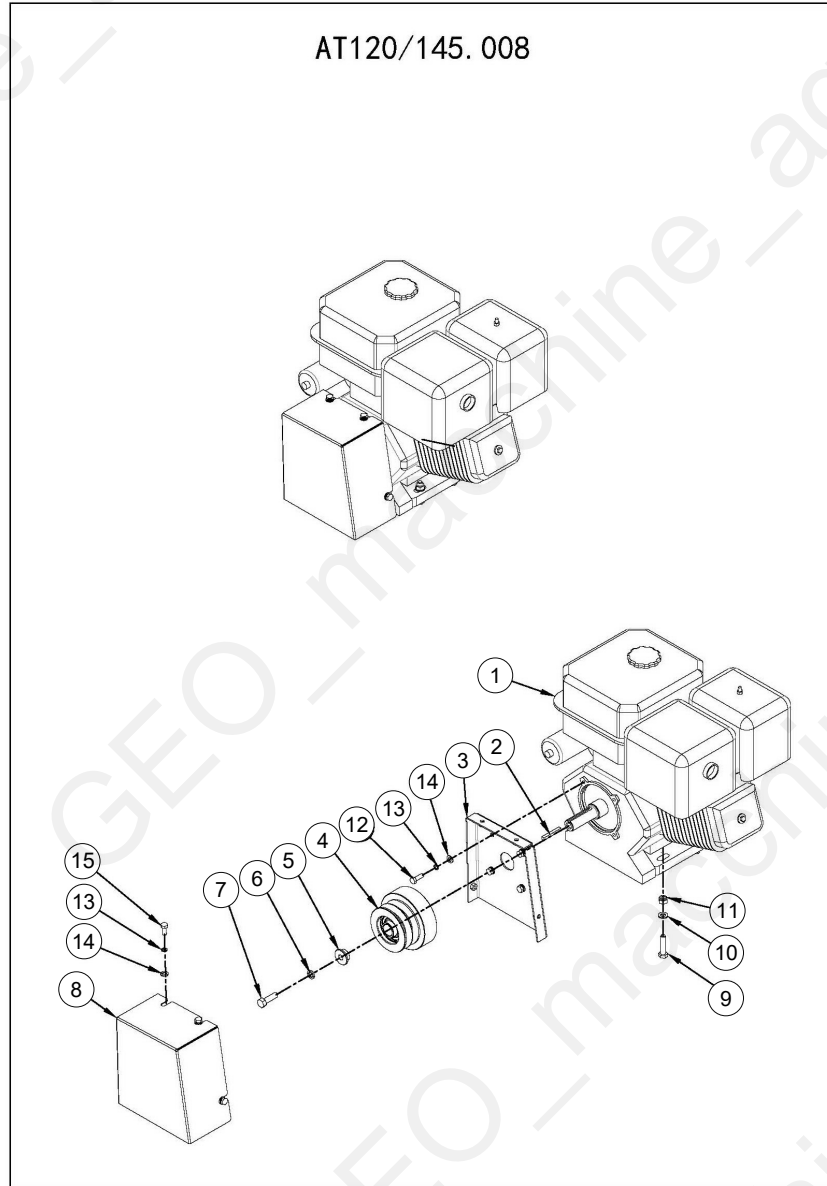
Machine: ATV

Assembly: ATV\_2020\_PARTE7



Pos	Code	Description	NOTE	Q.
1	AT120.025	Roller		1
1	AT145.025	ROLLER,WELDMENT		1
2	AT120.019	Left Support Plate		1
3	AT120.020	Right Support Plate		1
4	GB2673-M8x25	Bolt M8x25		8
5	EFGC125.107	Bearing seat UCF205		2
6	UC205	Bearing UC205		2
7	GB5783-M12x30	Bolt M12X30		4
8	GB889.1-M12	Locking nut M12		4
9	GB1152- M8x1	GREASE NIPPLE M8x1		2

AT120/145. 008



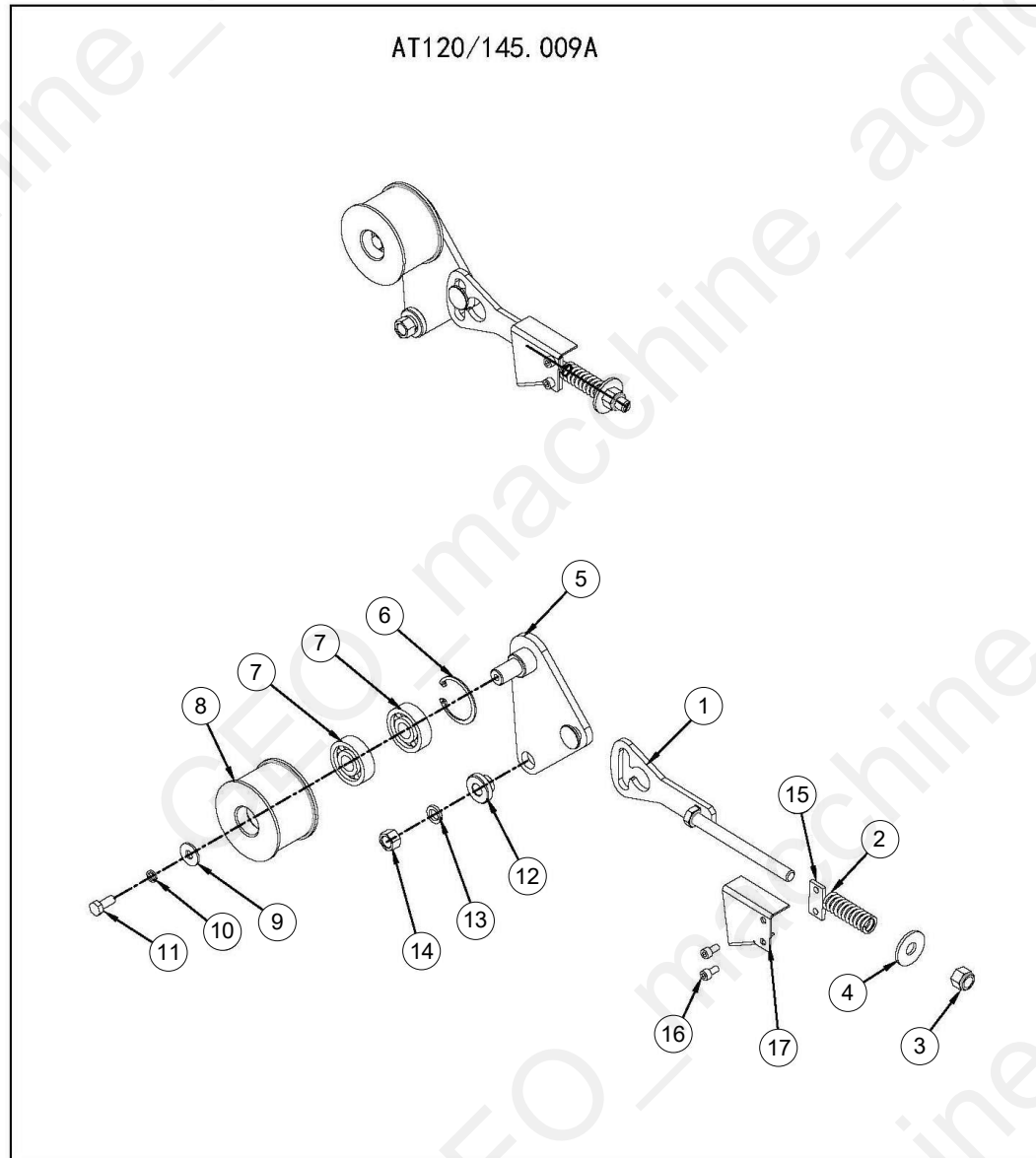
Machine: ATV

Assembly: ATV\_2020\_PARTE8



Pos	Code	Description	NOTE	Q.
	AT145.117	BLOCK		1
1	JF420E	ENGINE JF420E		1
2	GB1096-6.3x6.3x50	KEY B6.3x6.3x50		1
3	AT120.012	Upper Cover Base		1
3	AT145.012	TOP BRACKET,WELDMENT		1
4	L100B3.001	Pulley Clutch Assembly 3 Grooves		1
5	AT120.114.3	Spacer Washer for Pulley 3 grooves		1
6	GB93-12	spring washer 12		1
7	UNF 7-16-20x1.5	BOLT UNF7/16-20x1.5		1
7	UNF 7-16-20x2	BOLT UNF7/16-20x2		1
8	AT120.102-1	TOP COVER		1
8	AT145.102	TOP COVER		1
9	GB5782-M10x45	Bolt M10x45		4
10	GB97.1-10	PLAIN WASHER 10		4
11	GB889.1-M10	Locking nut M10		4
12	UNF 5-16-24x1	BOLT 5/16-24x1 UNF		4
13	GB93-8	Spring washer 8		8
14	GB97.1-8	Plain washer 8		8
15	GB5783-M8x20	bolt M8X20		4

AT120/145. 009A

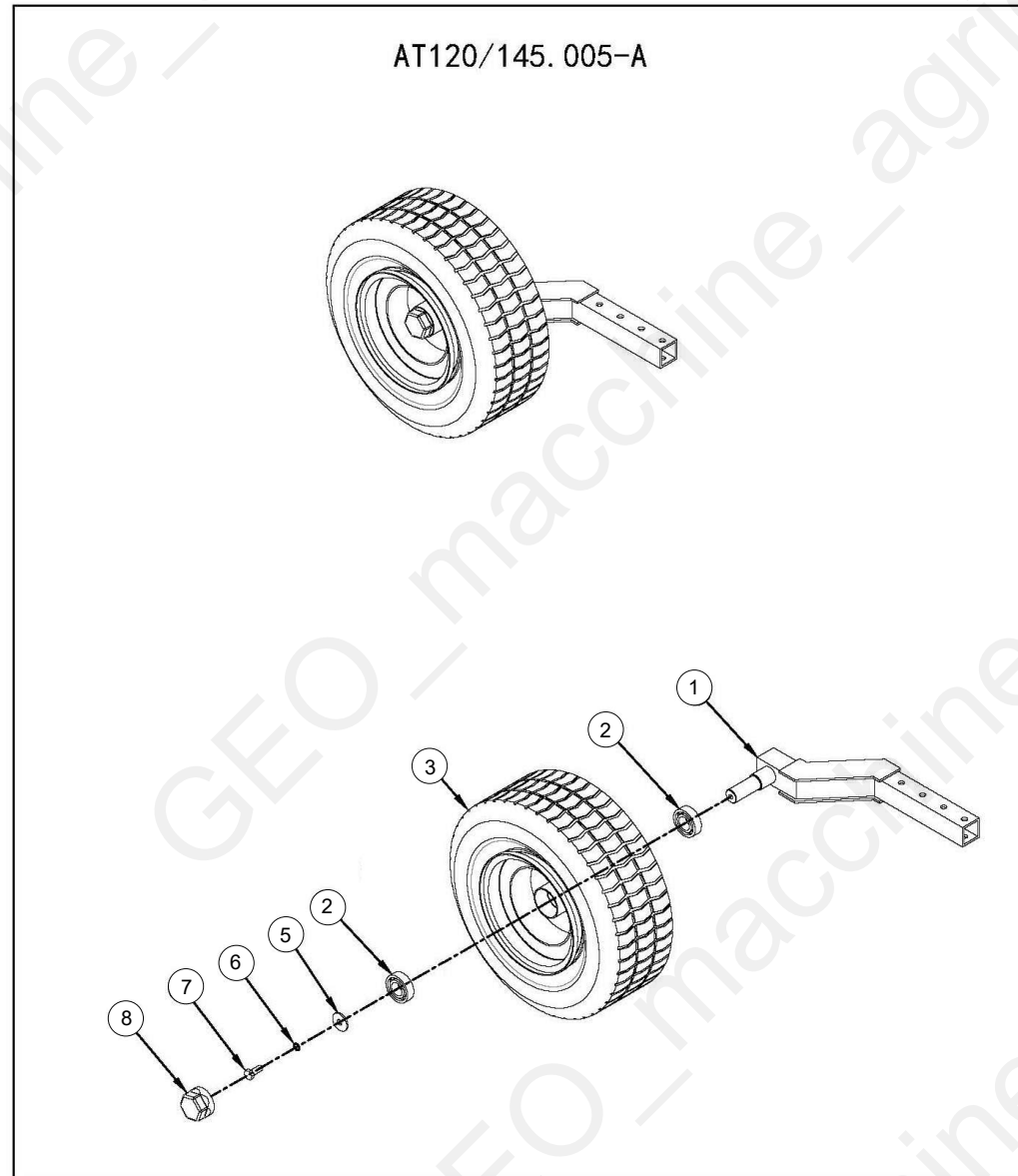


Machine: ATV

Assembly: ATV\_2020\_PARTE9



Pos	Code	Description	NOTE	Q.
1	AT120.041	CONNECTING LINK,WELDMENT		1
2	AT120.140	SPRING		1
3	GB889.1-M12	Locking nut M12		1
4	GB.T96.2-12×3			1
5	AT120.024A	SWING ARM,WELDMENT		1
5	AT145.024A	SWING ARM,WELDMENT		1
6	GB893.1-47	Circlip 47		1
7	GB276-303	BEARING 303		2
8	AT120.115	Tensioner Pulley		1
8	AT145.115	TENSION PULLEY		1
9	GB96-8	Plain washer 8		1
10	GB93-8	Spring washer 8		1
11	GB5783-M8x20	bolt M8X20		1
12	AT120.123A	BUSHING		1
13	GB93-12	spring washer 12		1
14	GB.T6170-M12			1
15	AT120.141	PLATE		1
16	GB.T70.1-M6×12			2
17	AT120.142	COVER		1



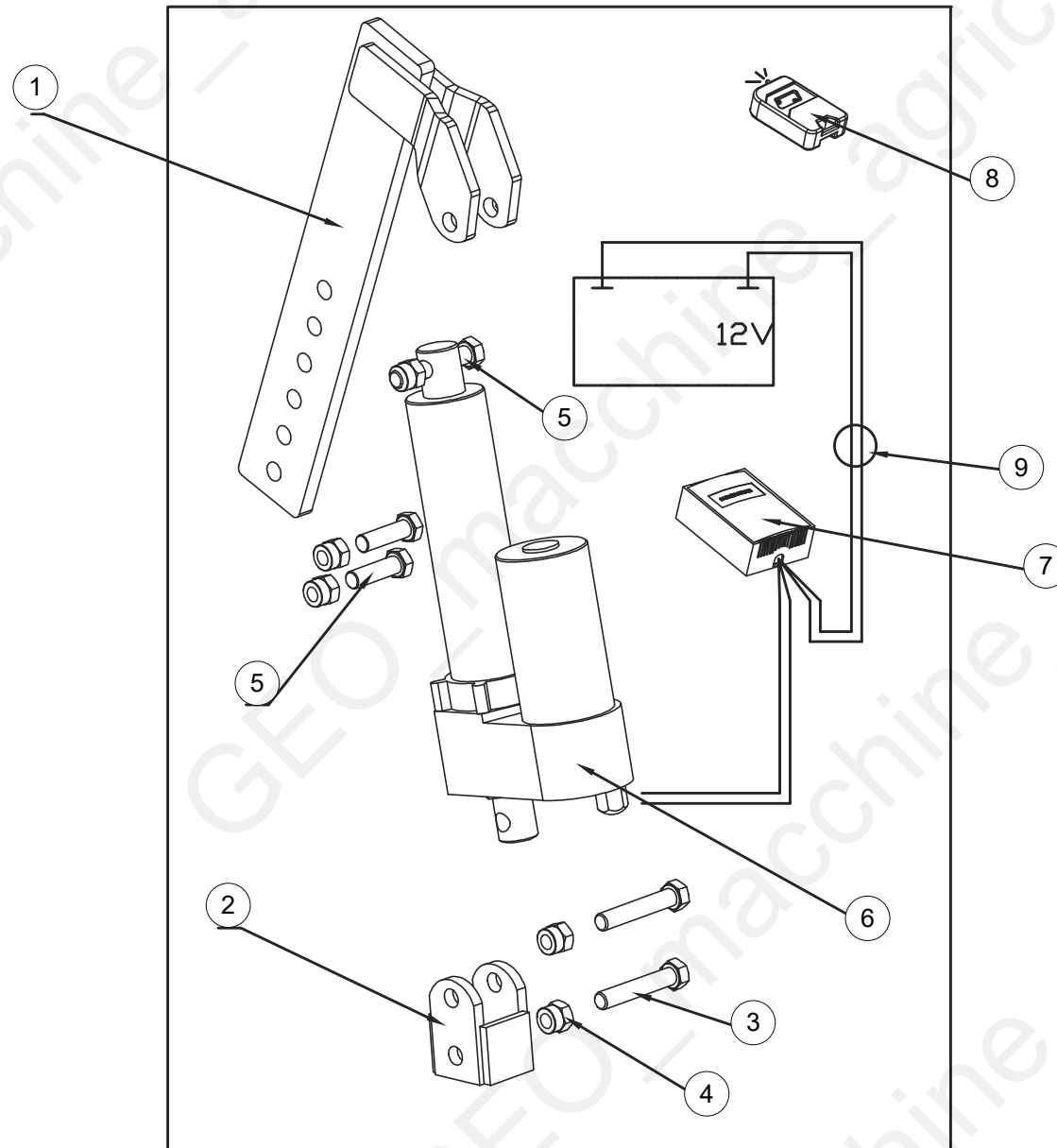
Machine: ATV

Assembly: ATV\_2020\_PARTE5-A1



Pos	Code	Description	NOTE	Q.
1	AT120.033	wheel axle		1
2	GB276-205	Bearing 205		2
3	16x6.5-8	ATV tire assembly		1
5	GB96-11x34x3	PLAIN WASHER 11x34x3		1
6	GB93-10	spring washer 10		1
7	GB5783-M10x25	Bolt M10X25		1
8	AT120.122	Dust Cover		1





Machine: ATV

Assembly: Optional



Pos	Code	Description	NOTE	Q.
1	AT120E.011			1
2	AT120E.012			1
3	AT120E.013	BOLT M12x70		1
4	AT120E.014	NUT M12		1
5	AT120E.015	BOLT M12X45		1
6	AT120E.016			1
7	AT120E.017			1
8	AT120E.018			1
9	AT120E.019			1

## ATV2017-2019



4

5

3

7

2

6

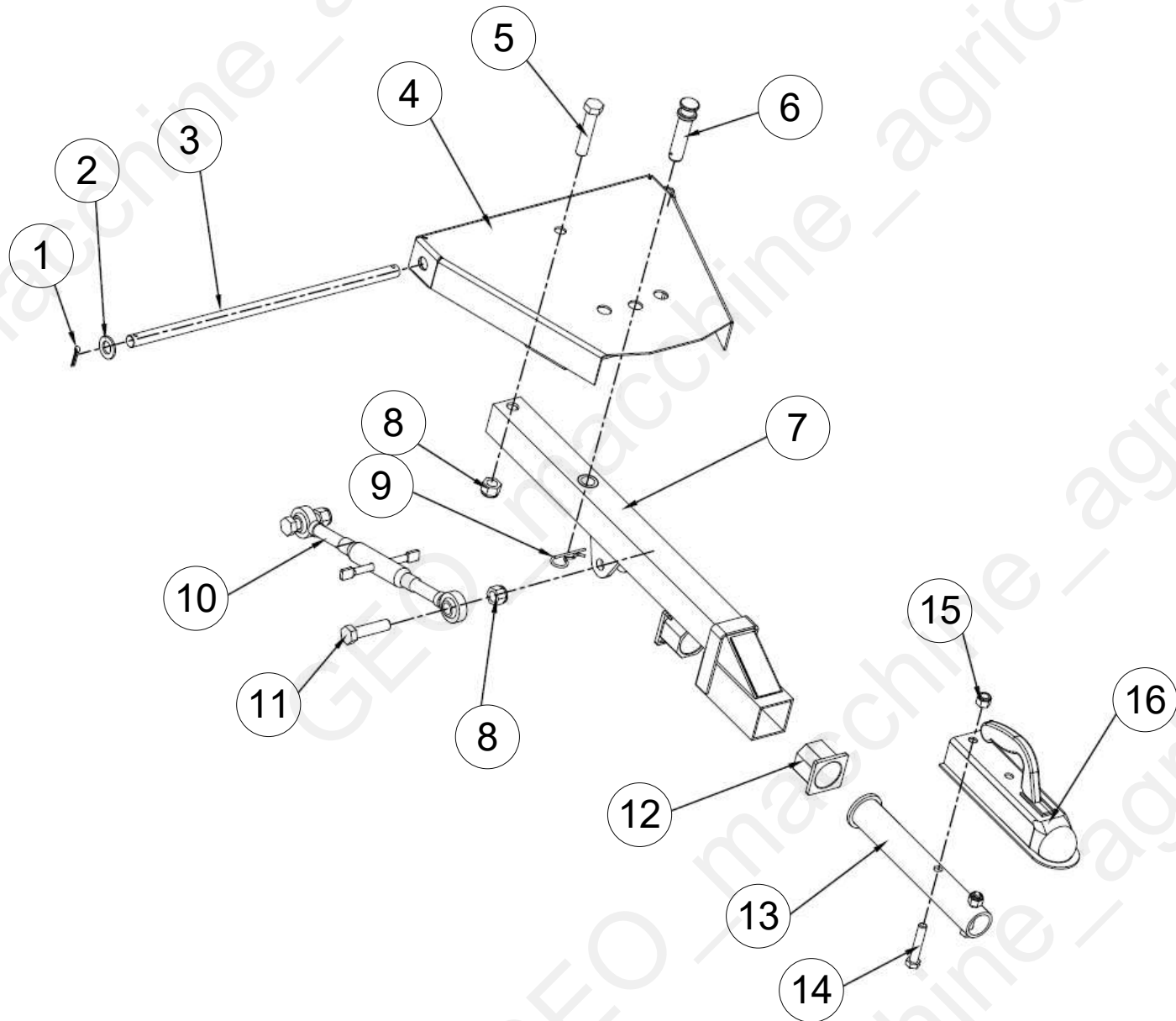
1

Machine: ATV2017-2019

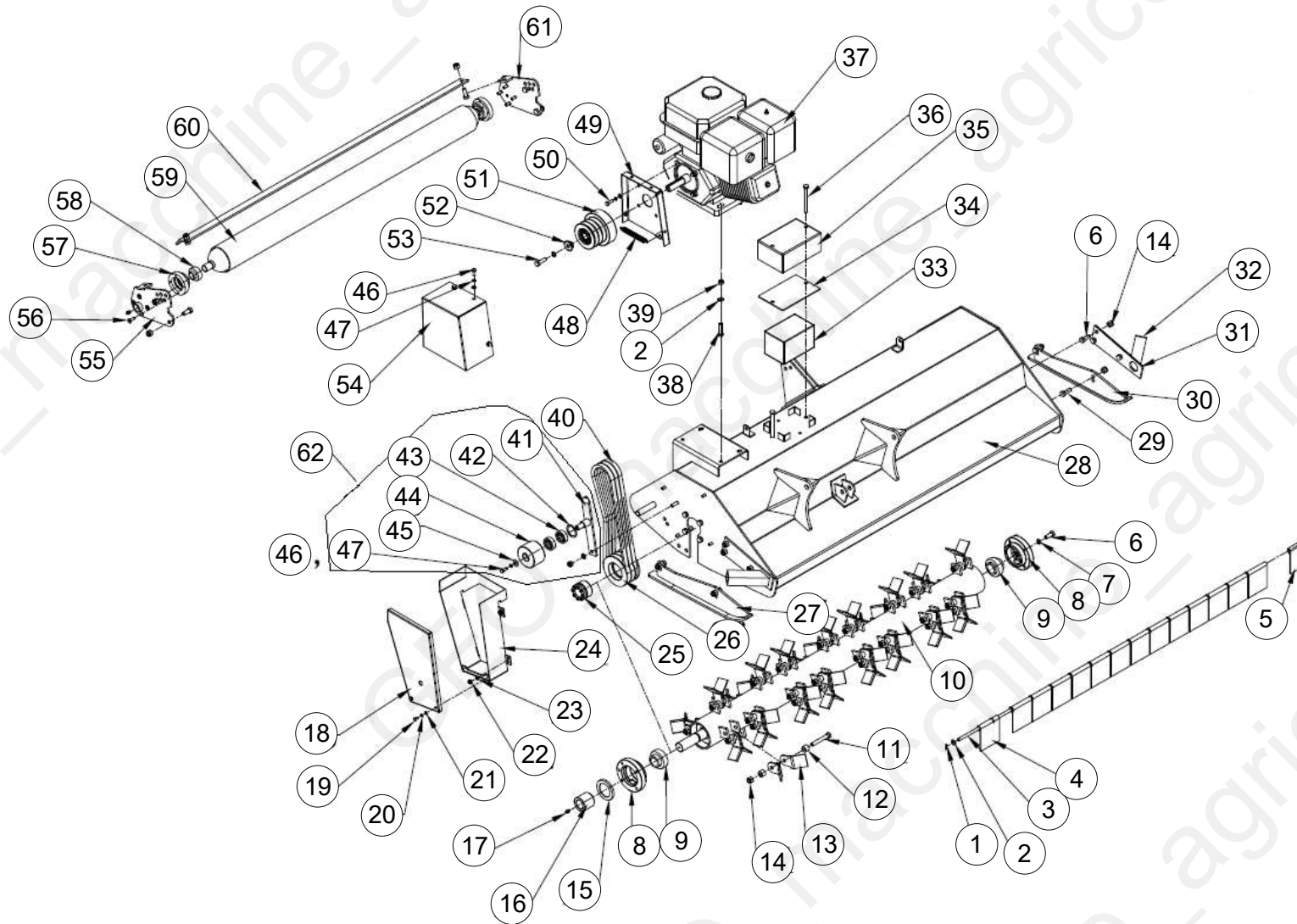
Assembly: ATV\_parte 1



Pos	Code	Description	NOTE	Q.
1	AT120.002	Pulled Frame Assembly		1
3	AT120.103	spring		2
4	AT120.004	jack		1
6	04.00.1.4	Throttle cable		1
7	04.00.1.2	Kit Piedino		1



Pos	Code	Description	NOTE	Q.
1	GB/T91-5x30	cotter pin 5X30		2
2	GB97.1-18	Plain washer 18		2
3	AT120.108	rod		1
4	AT120.016	link plate weldment		1
5	GB5782-M16x80	Bolt M16x80		1
6	AT120.106	pin		1
7	AT120.015	pulled pipe weldment		1
8	GB889.1-M16	Locking nut M16		3
9	RP-3.2	R Pin 3.2		1
10	AT120.017	adjuster		1
11	GB5782-M16x65	Bolt M16x65		2
12	AT120.105	bush		2
13	AT120.014	link pipe		1
14	GB5782-M12x65	Bolt M12x65		2
15	GB889.1-M12	Locking nut M12		2
16	QT50	Trailer coupler 2"		1

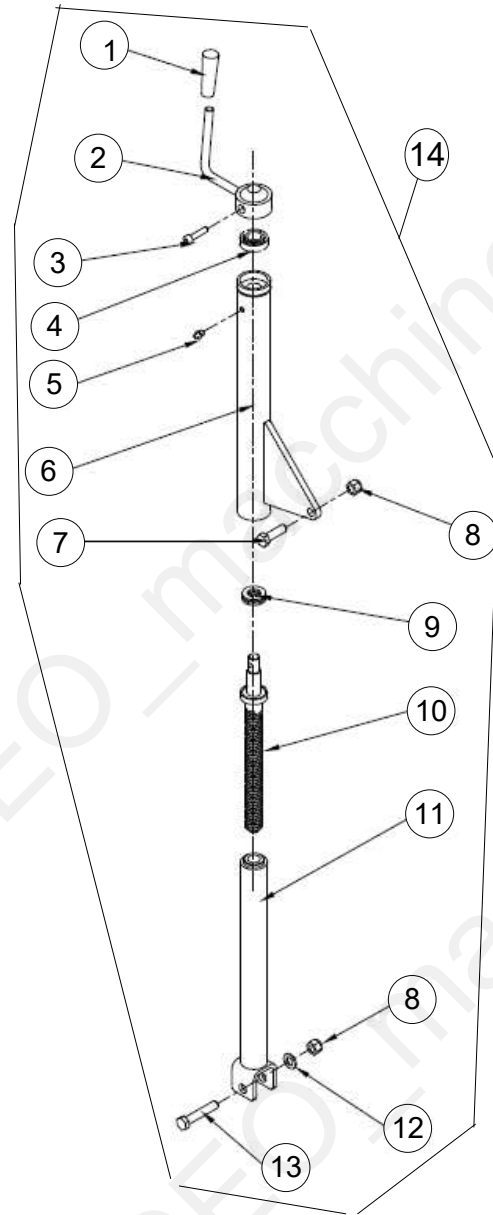




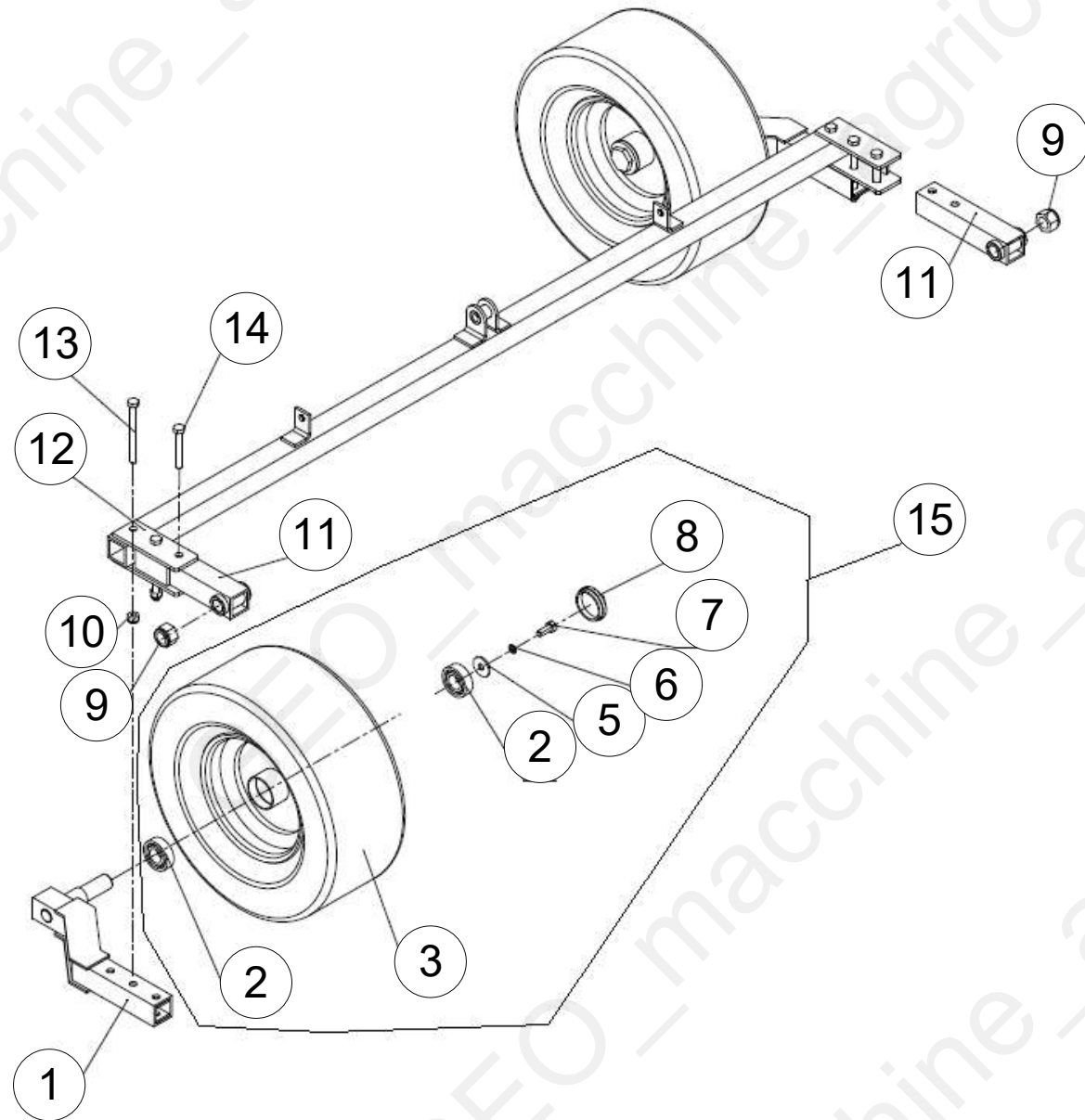
Pos	Code	Description	NOTE	Q.
1	GB91-3.2x16	cotter pin 3.2x16		2
2	GB97.1-10	PLAIN WASHER 10		21
3	AT120.111	Stick		1
4	AGL125.123	Fender 125		12
5	AGL125.124	Narrow Fender		1
6	GB5783-M12x30	Bolt M12X30		20
7	GB93-12	spring washer 12		9
8	EFGC125.115	Flange Bearing UC 207		2
9	UC207	Bearing UC207		2
10	AT120.026	Blade Axle		1
11	GB5782-M12x80	Bolt M12x80		28
12	ef.100.00.103	Spacer 12		56
13	ef.100.00.102	Blade Ø 12		56
14	GB889.1-M12	Locking nut M12		40
15	GB13871-55x80x8	Oil Seal 55x80x8		1
16	RK120.109.3	Spacer lower for Pulley 3 grooves		1
17	GB1152-M8x1	Grease Nipple M8x1		1
18	AT120.101	Lower Cover		1
19	GB5783-M6x12	bolt M6X12		2
20	GB93-6	spring washer 6		2
21	GB97.1-6	Plain washer 6		2
22	GB889.1-M8	Locking nut M8		4
23	GB97.1-8	Plain washer 8		12
24	AT120.011	low cover base		1
25	JB/T7934Z3/35X60	Swellable sleeve 35X60		1

Pos	Code	Description	NOTE	Q.
26	EFG120.105.2	small belt pulley 120mm 2 grooves		1
26	EFG120.105.3	small belt pulley 120mm 3 grooves		1
27	AT120.022	Right Skid		1
28	AT120.018	mower body		1
29	GB5783-M12x35	Bolt M12X35		4
30	AT120.021	Left Skid		1
31	AT120.013	Side Guard		2
32	AT120.104	Plug		2
33	6-DZM-14	Battery 6-DZM-14		1
34	AT120.131	Isolation Plate		1
35	AT120.132	Battery Cover		1
36	GB5782-M10x110	Bolt M10x110		2
37	JF420	engine JF420		1
38	GB5783-M10x45	Bolt M10X45		4
39	GB889.1-M10	Locking nut M10		5
40	GB/1154-17.42	V BELT B 42 (1067Li)	FL 90/FL 120	3
41	AT120.024	Frame of Tension Pulley		1
42	GB893.1-47	Circlip 47		1
43	GB278-303	Bearing 6303-2Z		2
44	AT120.115	Tensioner Pulley		1
45	GB96-8	Plain washer 8		1
46	GB5783-M8x20	bolt M8X20		5
47	GB93-8	Spring washer 8		9
48	AT120.109	Spring		1
49	AT120.012	Upper Cover Base		1

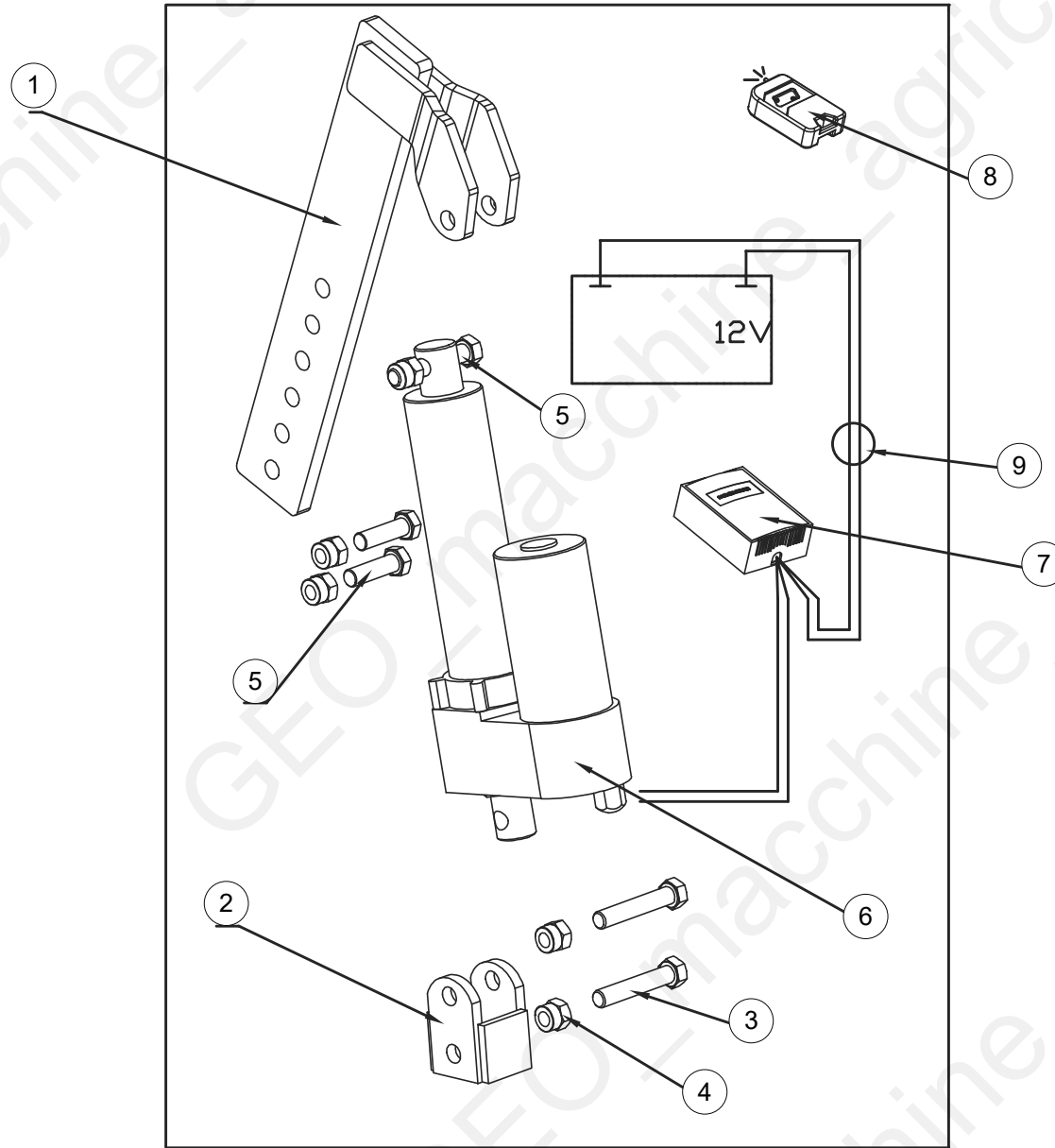
Pos	Code	Description	NOTE	Q.
50	UNF.5/16-24X1	Bolt UNF 5/16-24x1		4
51	L100B2.001	Pulley Clutch Assembly 2 Grooves		1
51	L100B3.001	Pulley Clutch Assembly 3 Grooves		1
52	AT120.114	Spacer Washer for Pulley 2 grooves		1
52	AT120.114.3	Spacer Washer for Pulley 3 grooves		1
53	UNF.7/16-20x1.5	Bolt UNF 7/16-20x1.5		1
54	AT120.102	Upper Cover		1
55	AT120.020	Right Support Plate		1
56	GB2673-M8x25	Bolt M8x25		8
57	AGL125.113	Bearing Seat		2
58	UC205	Bearing UC205		2
59	AT120.025	Roller		1
60	AT120.110	Fender		1
61	AT120.019	Left Support Plate		1
62	AT120.051	Tensioner Assembly Complete		1



Pos	Code	Description	NOTE	Q.
1	AT120.120	Handle Sleeve		1
2	AT120.027	handle		1
3	GB70.1-M8x35	bolt M8X35		1
4	GB276-8104-6004	Bearing 6004		1
5	GB1152-M8x1	Grease Nipple M8x1		1
6	AT120.028	outside pipe		1
7	GB5783-M12x40	bolt M12x40		1
8	GB889.1-M12	Locking nut M12		2
9	GB301-51104	Bearing 51104-8104		1
10	AT120.029	screw thread rod		1
11	AT120.030	inside pipe		1
12	GB97.1-12	plain washer 12		1
13	GB5782-M12x65	Bolt M12x65		1
14	AT120.004	jack		1



Pos	Code	Description	NOTE	Q.
1	AT120.033	wheel axle		2
2	GB278-205-2Z	Bearing 205-2Z		4
3	16x6.5-8	ATV tire assembly		2
5	GB96-10	Washer 10		2
6	GB93-10	spring washer 10		2
7	GB5783-M10x25	Bolt M10X25		2
8	AT120.122	Dust Cover		2
9	GB889.1-M20	Locking nut M20		2
10	GB889.1-M10	Locking nut M10		6
11	AT120.031	linkage		2
12	AT120.032	wheel frame		1
13	GB5782-M10x110	Bolt M10x110		4
14	GB5782-M10x70	Bolt M10x70		2
15	ATV.120.050	Wheel Asembly		1





Machine: ATV2017-2019

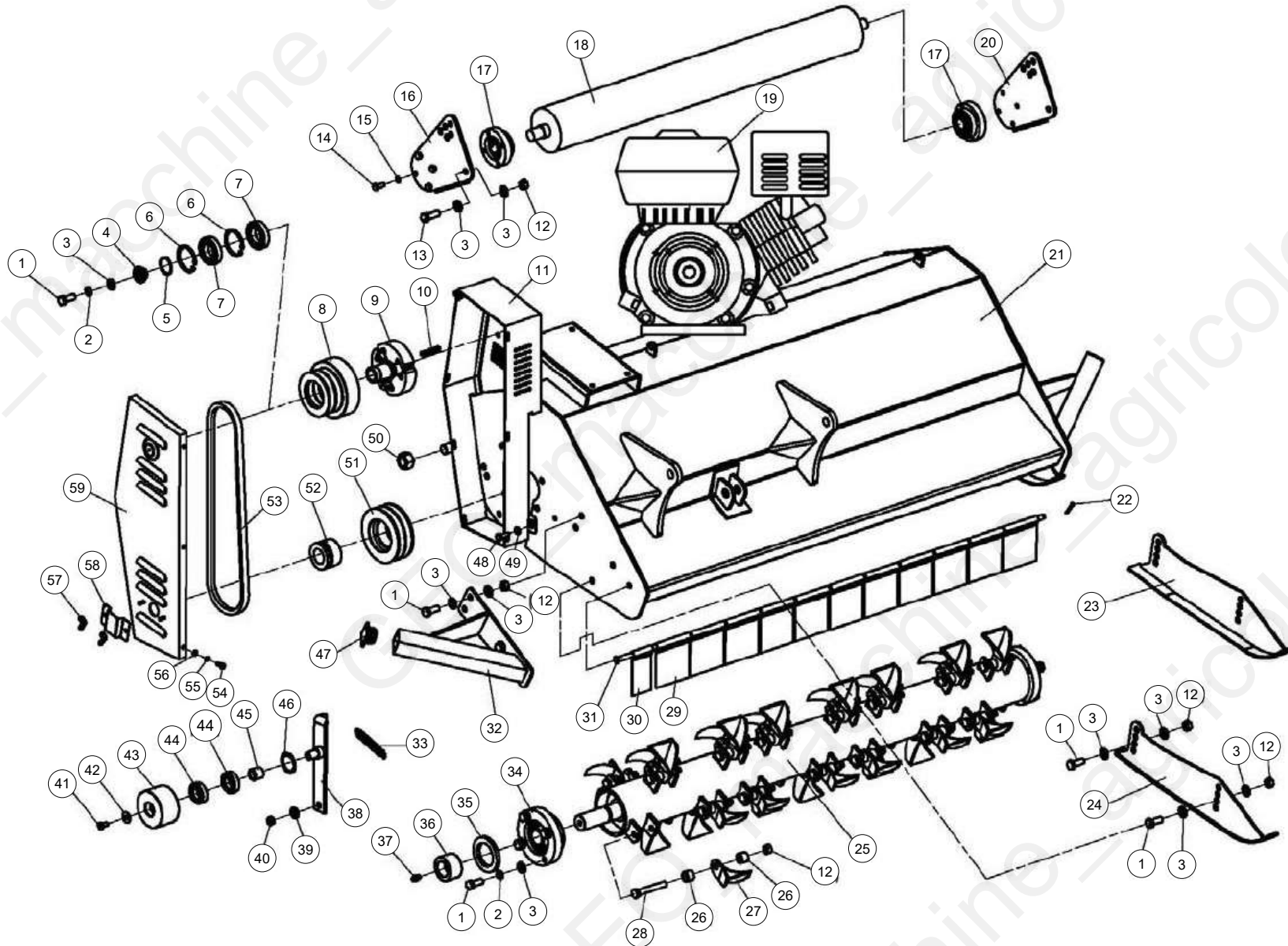
Assembly: Optional



Pos	Code	Description	NOTE	Q.
1	AT120E.011			1
2	AT120E.012			1
3	AT120E.013	BOLT M12x70		1
4	AT120E.014	NUT M12		1
5	AT120E.015	BOLT M12X45		1
6	AT120E.016			1
7	AT120E.017			1
8	AT120E.018			1
9	AT120E.019			1

## ATV2012\_2017





Pos	Code	Description	NOTE	Q.
1	GB5783-86/M12x30	Bolt M12x30		19
2	GB93-87-12	Spring lock washer 12		9
3	GB97.1-85/12	Plain washer 12		37
4	MFP120.00.106	Fixing sleeve of Engine		1
5	GB894.1-85	Circlip 35		1
6	GB893.1-86/62	Circlip 62		2
7	GB278-89-6007Z	Bearing 6007Z		2
8	MFP120.00.152	Centrifugal Pulley diam 95		1
9	MFP120.00.017	Only Clutch		1
10	GB1096-79/6.3x7x50	Key 6.3x7x50		1
11	MFP120.00.018	Transmission Guard		1
12	GB6184-86/M12	Locking nut M12		42
13	GB5783-86/M12x35	Bolt M12x35		4
14	GB5783-86/M8x20	Bolt M8x20		8
15	GB93-87-8	Spring lock washer 8		8
16	MFP120.00.155	Supporting plate ( R )		1
17	GEO_UCF205	Bearing with flange UC205		2
18	RK120.017	ROLLER WELDMENT 120		1
19	JF390	Gasoline engine		1
20	MFP120.00.156	Supporting plate ( L )		1
21	MFP120.00.012	Deck weldment		1
22	GB91-86-4x28	Split pin 4x28		1
23	MFP120.00.026	Skid Base plate R		1
24	MFP120.00.025	Skid Base plate L		1
25	RK120.020	Blade axle 120		1

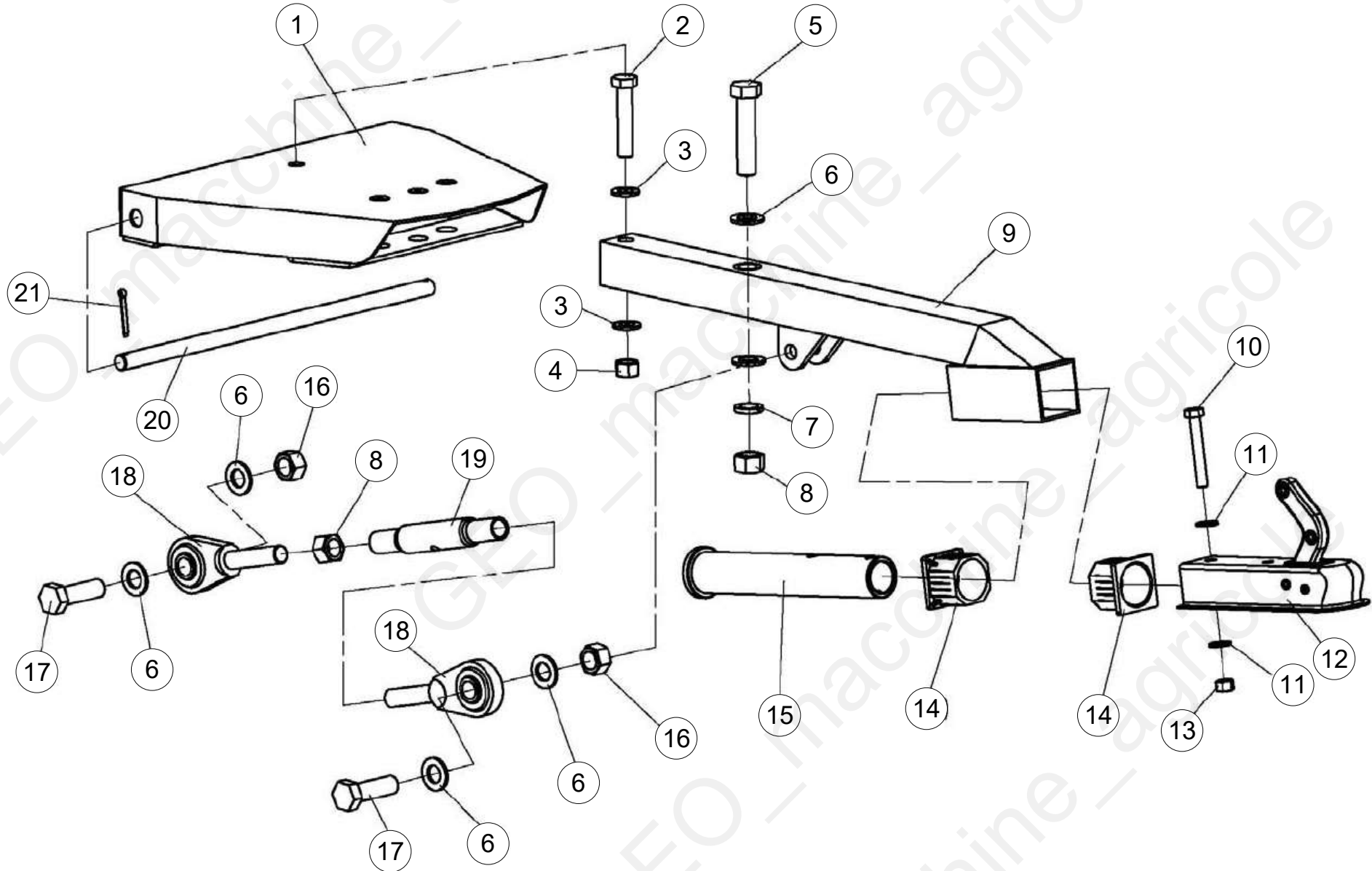
Pos	Code	Description	NOTE	Q.
26	EF.100.00.103	Spacer 12		56
27	RK120.114a	Blade-Spatula		28
28	GB5782-86/M12x80	Bolt M12x80		28
29	EF100.00.122	Fender		12
30	EF100.00.121	Fender Narrow		1
31	MFP120.00.109	Stone Guard Rod 1.2mt		1
32	MFP120.00.024	Side Wheel Guard		2
33	MFP120.00.116	Tensioner Spring		1
34	GEO_UCF207	Bearing with flange UC207-Z		2
35	GB13871-94-55x80x8	Oil seal FB55x80x8		2
36	RK120.109.2	Spacer lower for Pulley 2 grooves		2
37	GB1152-89/M8X1	Grease nipple M8		1
38	MFP120.00.036	Bracket for tension spring		1
39	GB97.1-85/10	Plain washer 10		1
40	GB6184-86/M10	Locking nut M10		1
41	GB5783-86/M8x16	Bolt M8X16		1
42	GB96-85-8	Plain washer 8		1
43	MFP120.00.153	Belt Tensioner Wheel		1
44	GB279-88	Bearing 180105		2
45	MFP120.00.154	Sleeve		1
46	GB893.1-86/47	Circlip 47		1
47	MFP120.00.101	Insert Plastic 40×40×2.6-4 MM		2
48	GB5783-86/M8x25	Bolt M8x25		2
49	GB97.1-85/8	Plain washer 8		2
50	GB6184-86/M20	Locking nut M20		2

Machine: ATV2012\_2017

Assembly: ATVoldold\_parte 1



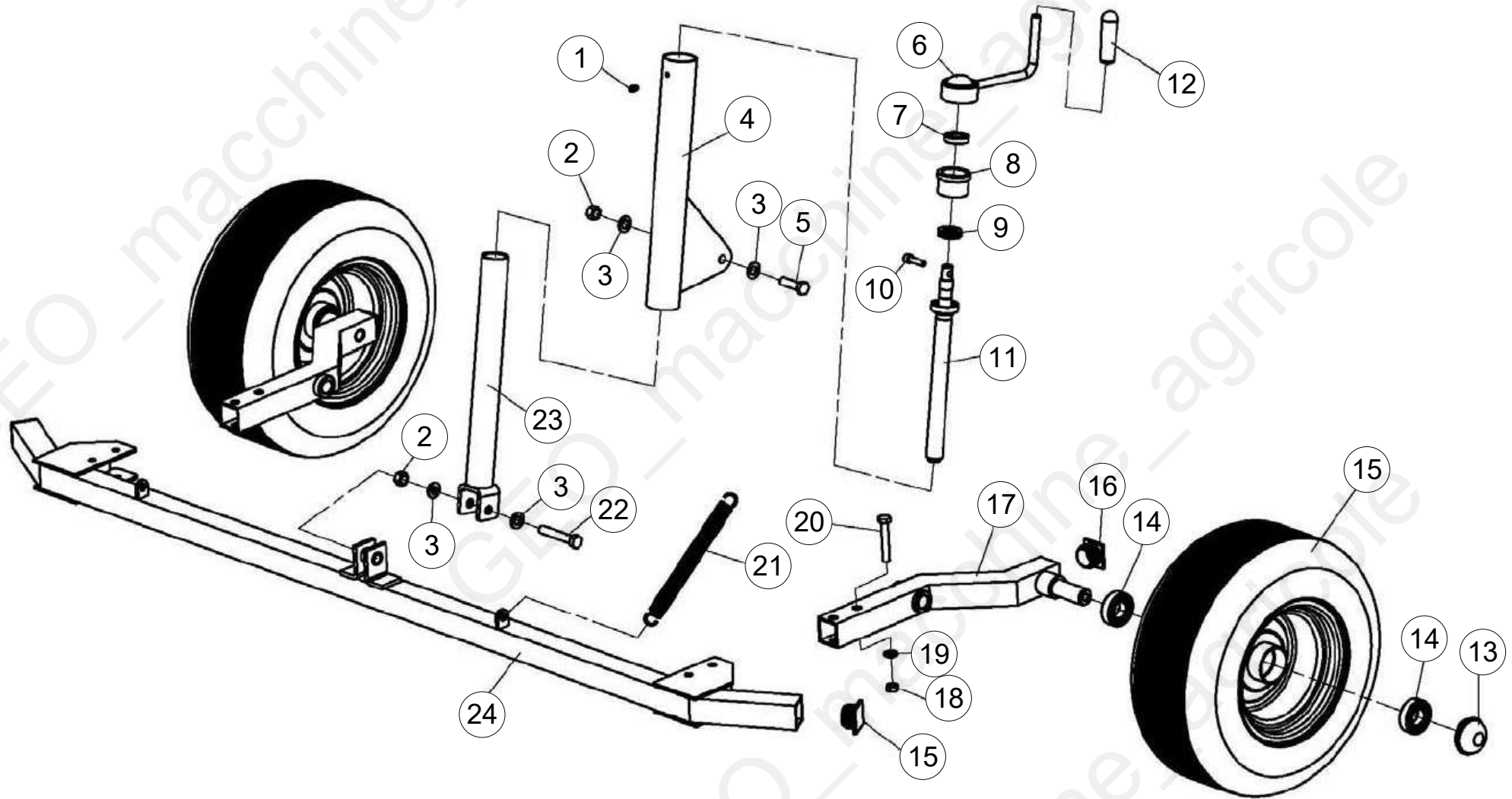
Pos	Code	Description	NOTE	Q.
51	EFG120.105.2	small belt pulley 120mm 2 grooves		1
52	JB/T7934Z3	Swllable sleeve		1
53	GB/1154-17.42	V BELT B 42 (1067Li)	FL 90/FL 120	2
54	GB5783-86/M6x16	Bolt m6x16		7
55	GB93-87-6	Spring lock washer 6		7
56	GB97.1-85/6	Plain washer 6		7
57	GB62-88	Butterfly nut M6		2
58	MFP120.00.111	Grease Nipple Guard		1
59	MFP120.00.011	Protecting cover		1



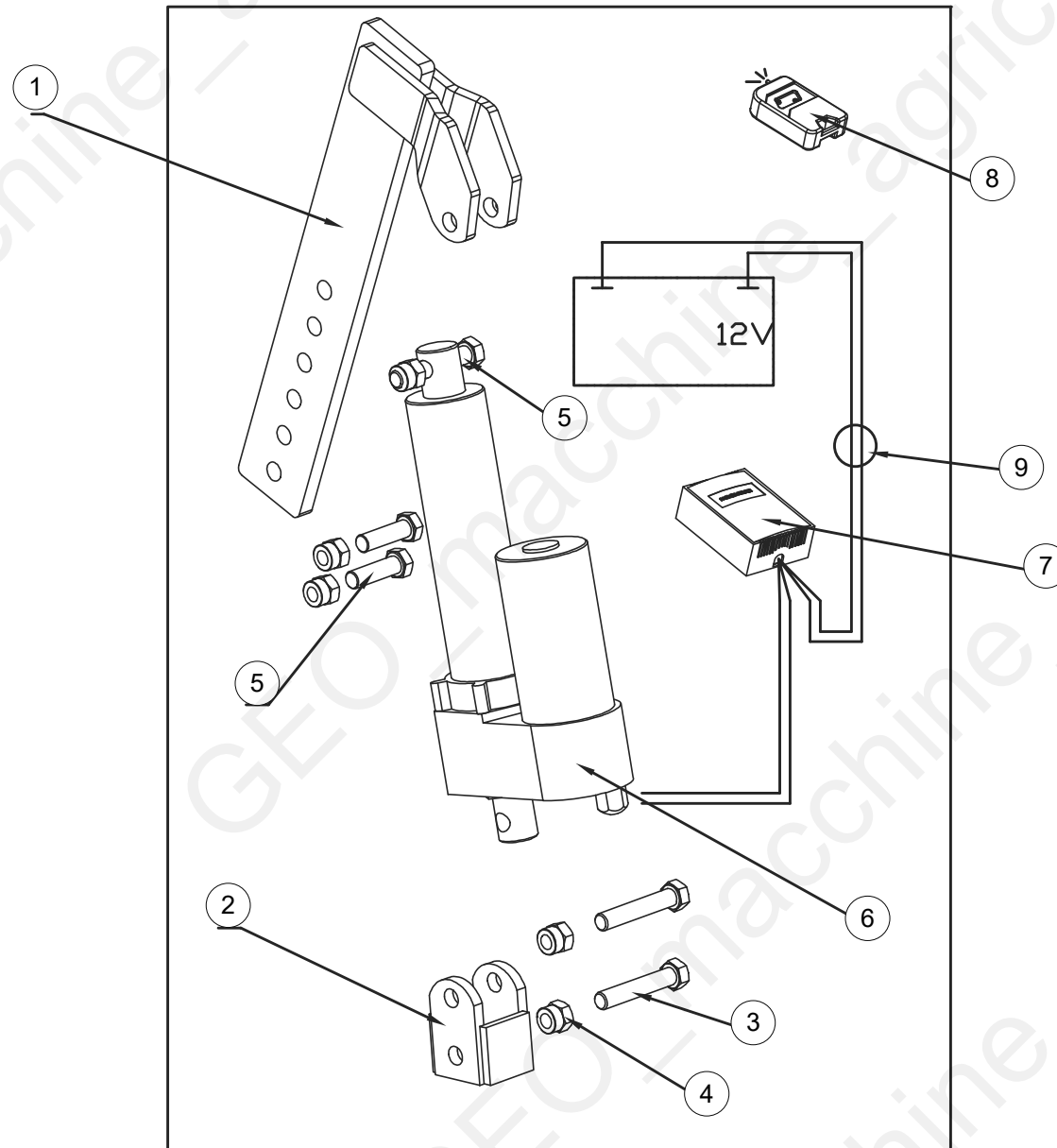


Pos	Code	Description	NOTE	Q.
1	AT120.016	link plate weldment		1
2	GB5782-86/M16x80	Blot M16x80		1
3	GB97.1-85/16	Plain washer 16		3
4	GB6184-86/M16	Locking nut M16		1
5	GB5782-86/M20x90	Bolt M20x90		1
6	GB97.1-85/20	Plain washer 20		5
7	GB93-87-20	Spring lock washer 20		1
8	GB6170-86-M20	Nut M20		2
9	ATV120.00.015	Bracket for traction		1
10	GB5782-86/M12x80	Bolt M12x80		2
11	GB97.1-85/12	Plain washer 12		4
12	GM8835	Coupling Hook		1
13	GB6184-86/M12	Locking nut M12		2
14	7CB-0.25-131	Axle sleeve		2
15	7CB-0.25-129	Shaft tube for traction		1
16	GB6184-86/M20	Locking nut M20		2
17	GB5783-86/M20x65	Blot M20x65		2
18	MFP120.00.014-1	Lifting handle		1
19	MFP120.00.014-2	Lifting coil		1
20	MFP120.00.102	Pin Bar		1
21	GB91-86-5x32	Split pin 5x32		2





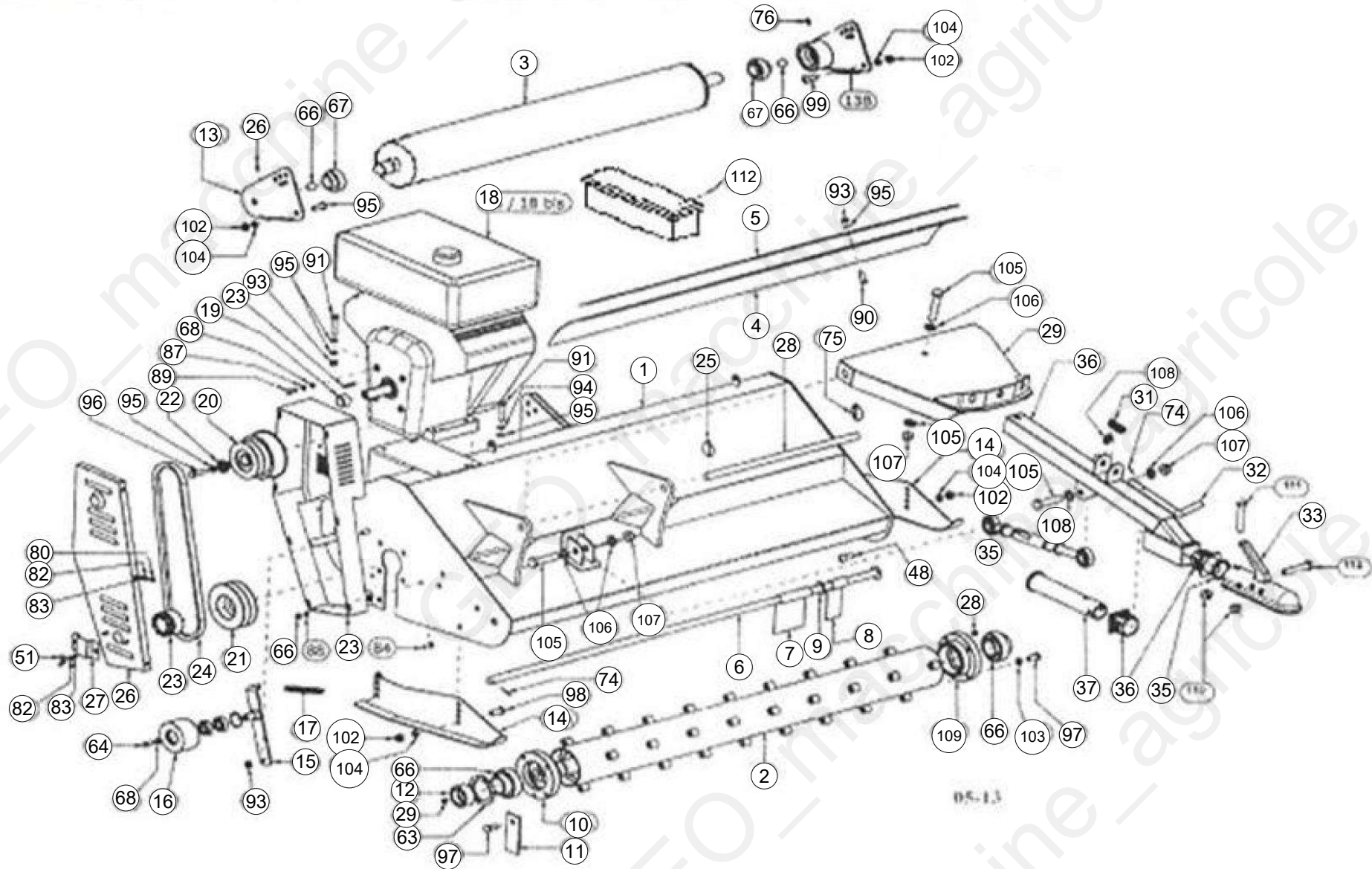
Pos	Code	Description	NOTE	Q.
1	GB1152-89/M6	Grease nipple M6		1
2	GB6170-86-M12	Nut M12		2
3	GB97.1-85/12	Plain washer 12		4
4	MFP120.00.038-A	Protection casing weldment		1
5	GB5783-86/M12x35	Bolt M12x35		1
6	MFP120.00.039	Handle		1
7	GB276-94-61904	Bearing 61904		1
8	TR200.00.123	Bearing seat		1
9	GB301-95	Bearing 51104		1
10	GB.70-85-M8x30	Screw M8x30		1
11	TR200.00.120	Adjusting screw		1
12	MFP120.00.176	Sheath for handle		1
13	MFP120.00.148	Hub Cap for tyre		2
14	GBT278-94	Bearing 80205		4
15	MFP120.00.016	Tyre		2
16	MFP120.00.101	Insert Plastic 40x40x2.6-4 MM		4
17	MFP120.00.027	Supporting bracket for tyre		2
18	GB889-86-M10	Locking nut M10		4
19	GB97.1-85/10	Plain washer 10		4
20	GB5782-86/M10x65	Bolt M10X65		4
21	MFP120.00.115	Spring		2
22	GB5782-86/M12x70	Bolt M12x70		1
23	MFP120.00.037-A	Adjusting coil		1
24	ATV120.028	Crossbeam weldment		1



Pos	Code	Description	NOTE	Q.
1	AT120E.011			1
2	AT120E.012			1
3	AT120E.013	BOLT M12x70		1
4	AT120E.014	NUT M12		1
5	AT120E.015	BOLT M12X45		1
6	AT120E.016			1
7	AT120E.017			1
8	AT120E.018			1
9	AT120E.019			1

## ATV2008-2011





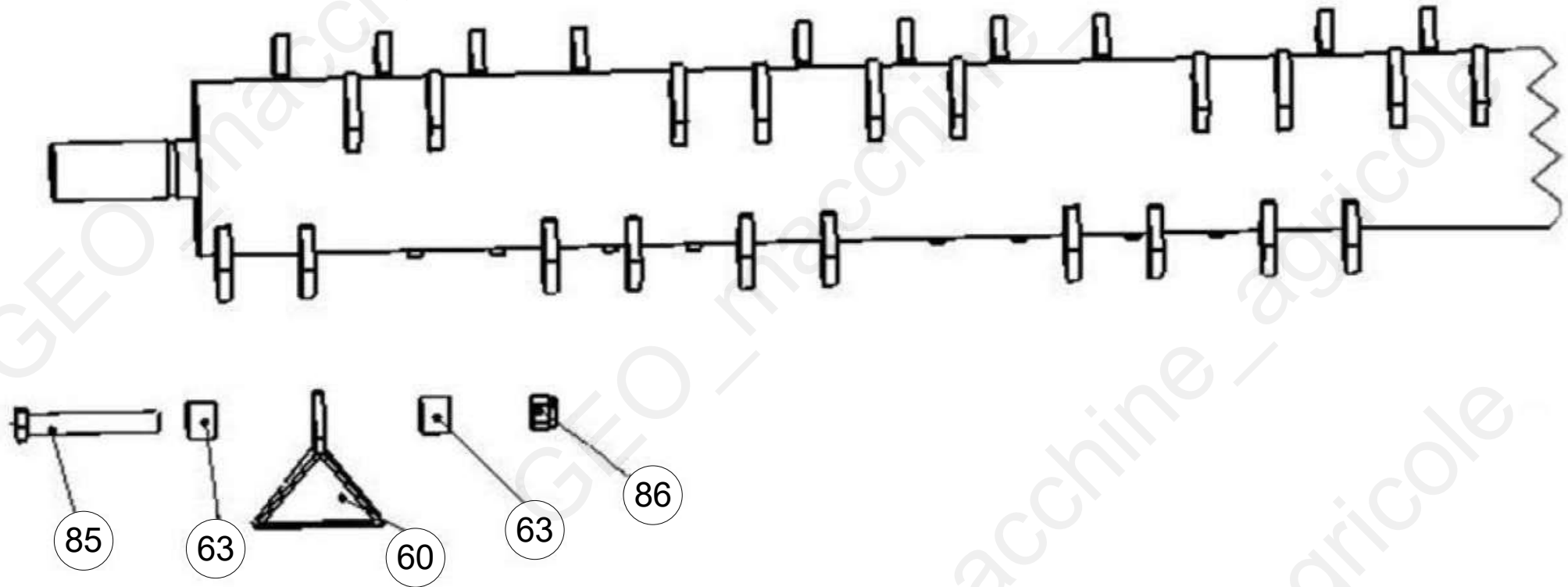


Pos	Code	Description	NOTE	Q.
1	MFP120.00.012	Deck weldment		0
2	RK120.020	Blade axle 120		0
3	RK120.017	ROLLER WELDMENT 120		0
4	MFP120.00.113	Rear Plastic Skirt 1.2mt		0
5	MFP120.00.114	Securing Strip 1.2mt		0
6	MFP120.00.109	Stone Guard Rod 1.2mt		0
7	MFP120.00.110	Short Stone Guard		0
8	MFP120.00.110A	Short Narrow Stone Guard		0
9	GB97.1-85-18×34	Washer Flat M18×34×3 MM		0
10	EFGC125.115	Flange Bearing UC 207		0
11	MFP120-1017	Rotor Fixing Plate		0
12	RK120.109.2	Spacer lower for Pulley 2 grooves		0
13	MFP120.00.155	Supporting plate ( R )		0
13	MFP120.00.156	Supporting plate ( L )		0
14	MFP120.00.025	Skid Base plate L		0
14	MFP120.00.026	Skid Base plate R		0
15	MFP120.00.036	Bracket for tension spring		0
16	MFP120.00.153	Belt Tensioner Wheel		0
17	MFP120.00.116	Tensioner Spring		0
18	188F	13 HP Engine		0
19	ATV120.001.019	Centrifugal Clutch Pulley Spacer		0
20	L100B2.001	Pulley Clutch Assembly 2 Grooves		0
21	EFG120.105.2	small belt pulley 120mm 2 grooves		0
22	MFP120.00.106	Fixing sleeve of Engine		0
23	JB/T7934Z3/35X60	Swellable sleeve 35X60		0

Pos	Code	Description	NOTE	Q.
24	GB/1154-17.42	V BELT B 42 (1067Li)	FL 90/FL 120	0
25	MFP120.00.018	Transmission Guard		0
26	MFP120.00.120	Transmission Guard Cover		0
27	MFP120.00.111	Grease Nipple Guard		0
28	MFP120.00.102	Pin Bar		0
29	MFP120.00.013	Drawbar Housing Assembly		0
31	MFP120.00.103	Spring		0
32	MFP120.00.104	Drawbar Locking Pin diam 16		0
33	GM8835	Coupling Hook		0
35	MFP120.00.105	Thrust Washer		0
36	MFP120.00.108	Bush Nylon		0
37	MFP120.00.023	Drawtube		0
48	GB91-86-4x28	Split pin 4x28		1
51	GB62-88	Butterfly nut M6		1
63	Oil.Seal.FB55X80X8			0
64	GB5783-86/M8x16	Bolt M8X16		1
66	UC207	Bearing UC207		0
67	UC205	Bearing UC205		0
68	GB96-85-8	Plain washer 8		1
74	Roll.Pin.5X22	Roll Pin		0
75	Split.Pin.5X32	Split Pin		0
76	Grease.Nipple.M6	Grease Nipple M6		0
80	M6×15	Bolt Hex Head M6×15		0
82	Spring.Washer.8	Spring Washer 8		0
83	Flat.Washer.6	Flat Washer		0



Pos	Code	Description	NOTE	Q.
87	Spring.Washer.8	Spring Washer 8		0
89	Bolt.S/Screw.5/16"	Bolt S/Screw 5/16"		0
90	M10×25	Bolt Hex Head M10×25		0
91	M10×50	Bolt Hex Head M10×50		0
92	M10×70	Bolt Hex Head M10×70		0
93	Nyloc.Nut.M10	Nyloc Nut M10		0
94	Spring.Washer.10	Spring Washer M10		0
95	Flat.Washer.10	Flat Washer 10		0
96	Bolt.S/UNF3/8"-24	Bolt S/Screw UNF3/8"-24		0
97	M12×25	Bolt Hex Head M12×25		0
98	M12×30	Bolt Hex Head M12×30		0
99	M12×40	Bolt Hex Head M12×40		0
100	M12×50	Bolt Hex Head M12×50		0
101	M12×80	Bolt Hex Head M12×80		0
102	Nyloc.Nut.M12	Nyloc Nut M12		0
103	Spring.Washer.12	Spring Washer M12		0
104	Flat.Washer.12	Flat Washer 12		0
105	M16×70	Bolt Hex Head M16×70		0
106	M16×80	Bolt Hex Head M16×80		0
107	Nyloc.Nut.M16	Nyloc Nut M16		0
108	Flat.Washer.16	Flat Washer 16		0
109	Nyloc.Nut.M20	Nyloc Nut M20		0
111	M12×65	Bolt Hex Head M12×65		0
112	ATV120.001.112	Tool Box		0

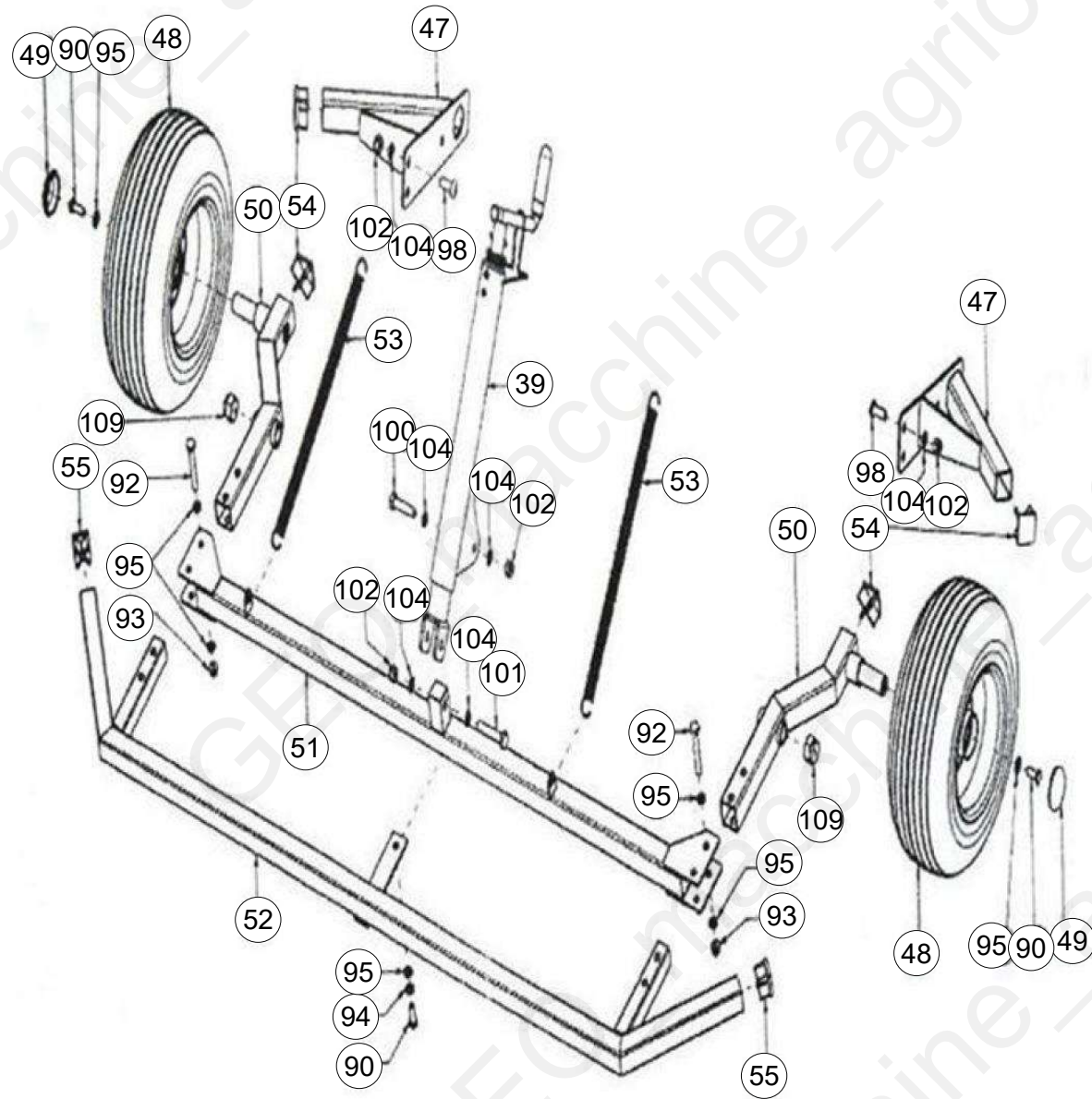


Machine: ATV2008-2011

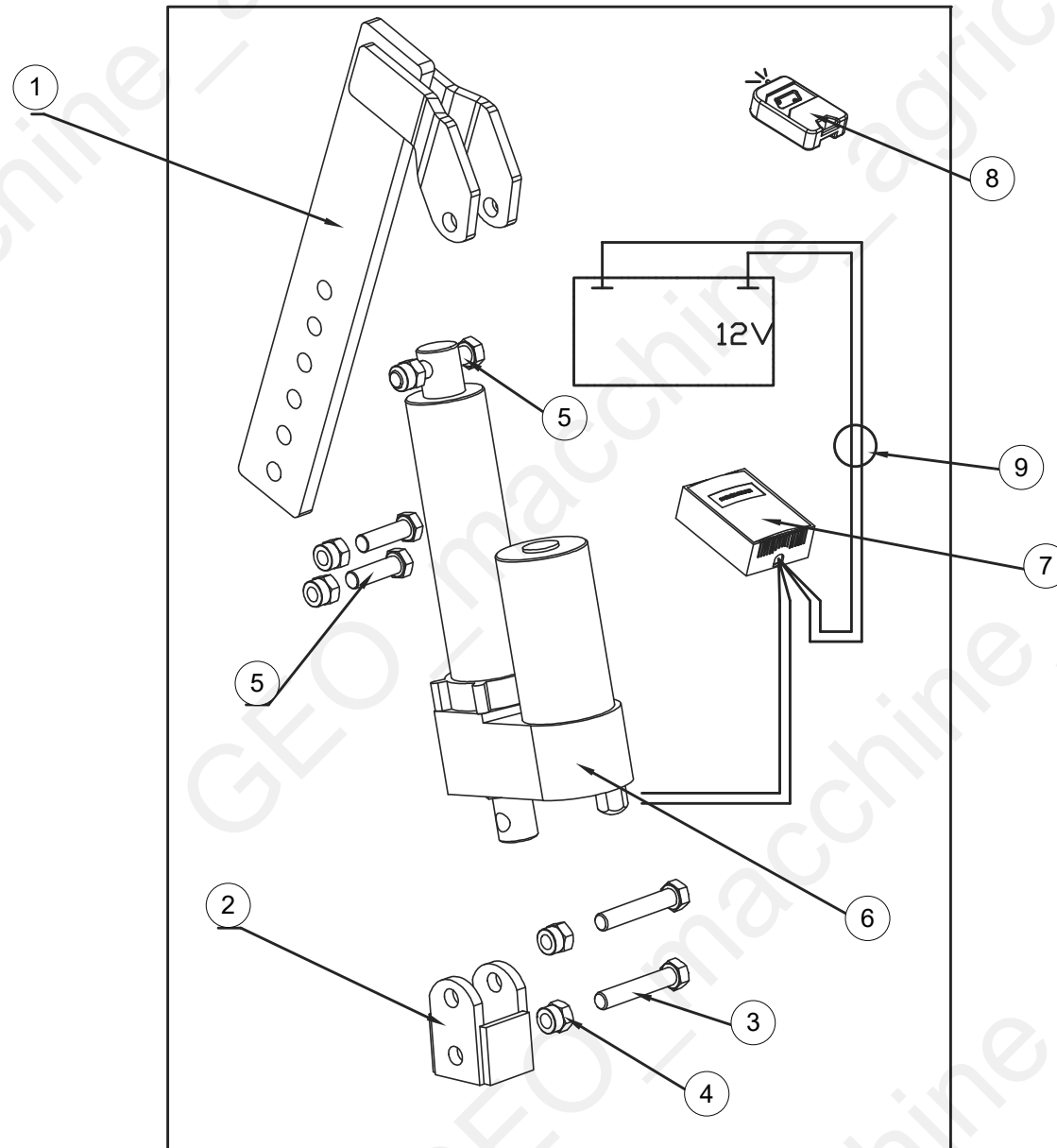
Assembly: ATVold\_parte 2



Pos	Code	Description	NOTE	Q.
60	EF.100.00.102	Blade Ø 12		0
60	EF.100.00.107	Hammer Ø12		0
63	Spacer	EF100.00.103		0
85	Bolt.Hex.Head.M12×80	M12×80		0
86	Nyloc.Nut.M12	Nyloc Nut M12		0



Pos	Code	Description	NOTE	Q.
39	MFP120.00.030A	Complete Height Adjust Handle		0
47	MFP120.00.024	Side Wheel Guard		0
48	16.5X6.5	TY 16.5×6.5		0
49	MFP120.00.148	Hub Cap for tyre		0
50	MFP120.00.027	Supporting bracket for tyre		0
51	MFP120.00.028	Height Adjust Bar 1.2mt		0
52	MFP120.00.029	Rear Crash Bar 1.2mt		0
53	MFP120.00.115	Spring		0
54	MFP120.00.101	Insert Plastic 40×40×2.6-4 MM		0
55	MFP120.00.112	Insert Plastic 35×35		0
90	M10×25	Bolt Hex Head M10×25		0
92	M10×70	Bolt Hex Head M10×70		0
93	Nyloc.Nut.M10	Nyloc Nut M10		0
94	Spring.Washer.10	Spring Washer M10		0
95	Washer.10	Flat Washer M10		0
98	M12×30	Bolt Hex Head M12×30		0
100	M12×50	Bolt Hex Head M12×50		0
101	M12×80	Bolt Hex Head M12×80		0
102	Nyloc.Nut.M12	Nyloc Nut M12		0
104	Washer.12	Flat Washer M12		0
109	Nyloc.Nut.M20	Nyloc Nut M20		0



Machine: ATV2008-2011

Assembly: Optional

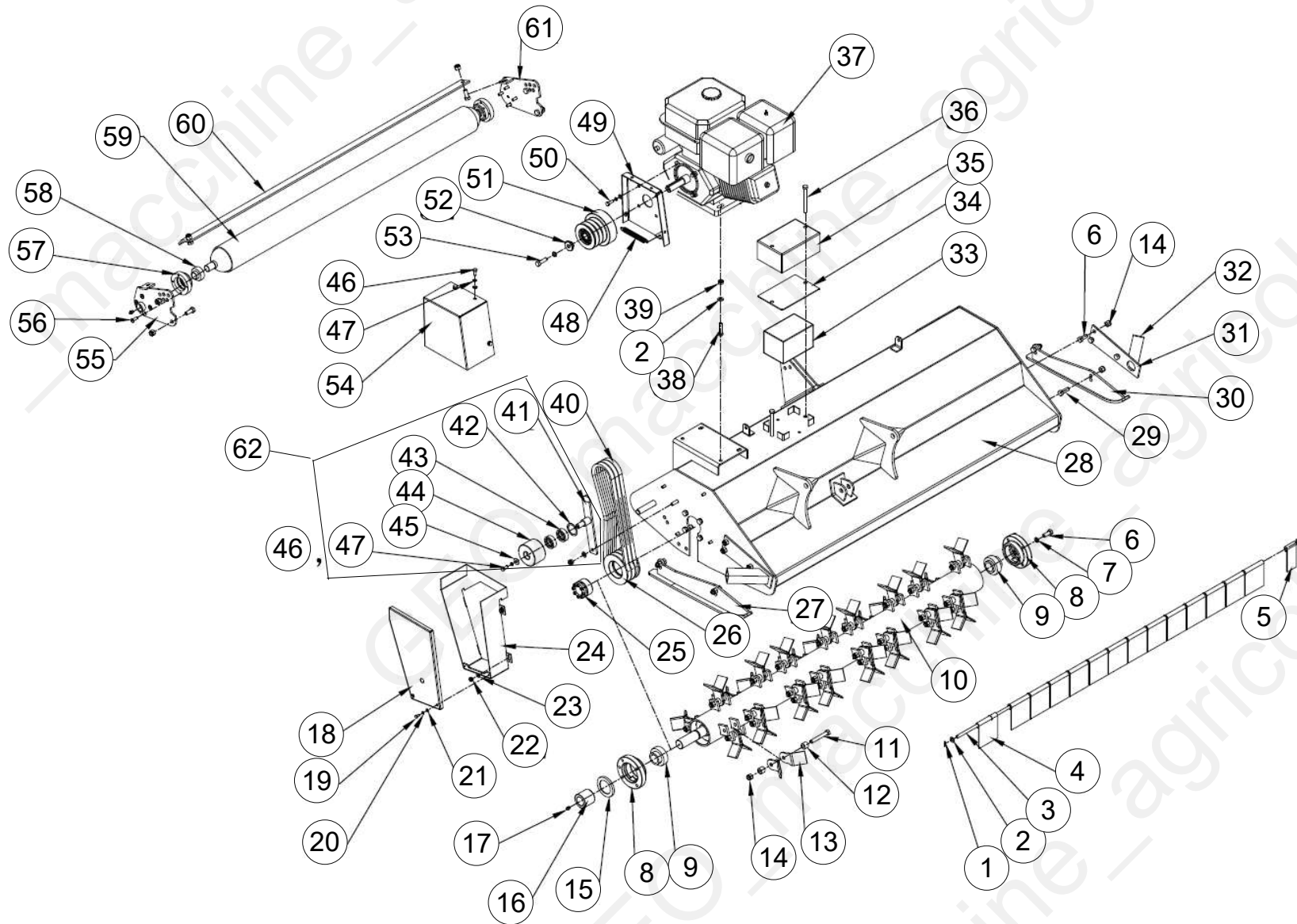


Pos	Code	Description	NOTE	Q.
1	AT120E.011			1
2	AT120E.012			1
3	AT120E.013	BOLT M12x70		1
4	AT120E.014	NUT M12		1
5	AT120E.015	BOLT M12X45		1
6	AT120E.016			1
7	AT120E.017			1
8	AT120E.018			1
9	AT120E.019			1

## ATV WHT







Pos	Code	Description	NOTE	Q.
1	GB91-3.2x16	cotter pin 3.2x16		2
2	GB97.1-10	PLAIN WASHER 10		21
3	AT120.111	Stick		1
4	AGL125.123	Fender 125		12
5	AGL125.124	Narrow Fender		1
6	GB5783-M12x30	Bolt M12X30		20
7	GB93-12	spring washer 12		9
8	EFGC125.115	Flange Bearing UC 207		2
9	UC207	Bearing UC207		2
10	AT120.026	Blade Axle		1
11	GB5782-M12x80	Bolt M12x80		28
12	ef.100.00.103	Spacer 12		0
13	ef.100.00.102	Blade Ø 12		0
14	GB889.1-M12	Locking nut M12		40
15	GB13871-55x80x8	Oil Seal 55x80x8		1
16	RK120.109.2	Spacer lower for Pulley 2 grooves		1
16	RK120.109.3	Spacer lower for Pulley 3 grooves		1
17	GB1152-M8x1	Grease Nipple M8x1		4
18	AT120.101	Lower Cover		1
19	GB5783-M6x12	bolt M6X12		2
20	GB93-6	spring washer 6		2
21	GB97.1-6	Plain washer 6		2
22	GB889.1-M8	Locking nut M8		4
23	GB97.1-8	Plain washer 8		12
24	AT120WD.012	Lower Cover Base		1

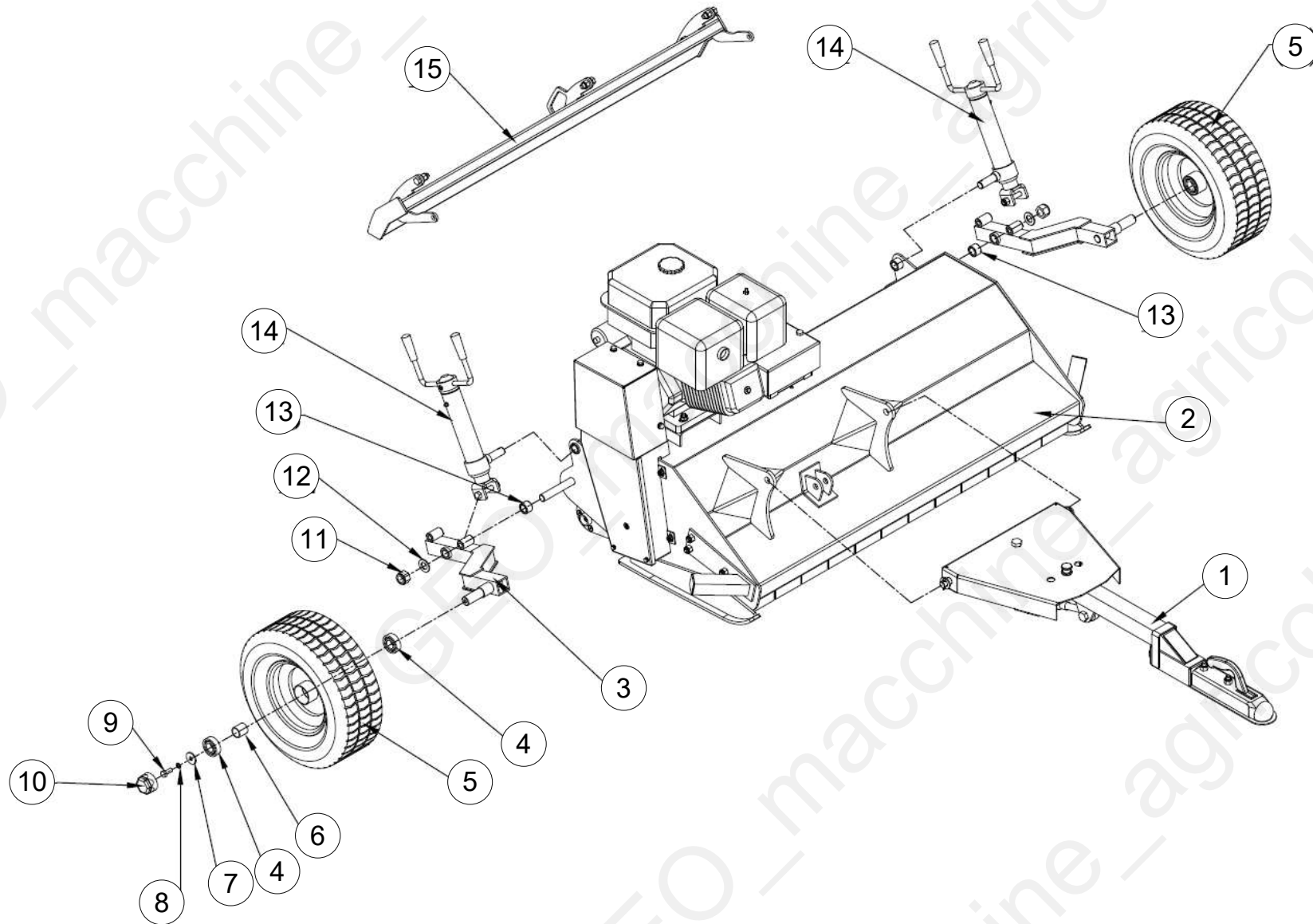
Machine: ATV WHT

Assembly: ATVwth\_parte 1



Pos	Code	Description	NOTE	Q.
25	JB/T7934Z3/35X60	Swellable sleeve 35X60		1
26	EFG120.105.2	small belt pulley 120mm 2 grooves		1
26	EFG120.105.3	small belt pulley 120mm 3 grooves		1
27	AT120.022	Right Skid		1
28	AT120WD.018	Mower Body		1
29	GB5783-M12x35	Bolt M12X35		4
30	AT120.021	Left Skid		1
31	AT120.013	Side Guard		2
32	AT120.104	Plug		2
33	6-DZM-14	Battery 6-DZM-14		1
34	AT120.131	Isolation Plate		1
35	AT120.132	Battery Cover		1
36	GB5782-M10x110	Bolt M10x110		2
37	JF420	engine JF420		1
38	GB5783-M10x45	Bolt M10X45		4
39	GB889.1-M10	Locking nut M10		5
40	GB/T1154-B1067	V Belt VB1067		2
41	AT120.024	Frame of Tension Pulley		1
42	GB893.1-47	Circlip 47		1
43	GB278-303	Bearing 6303-2Z		2
44	AT120.115	Tensioner Pulley		1
45	GB96-8	Plain washer 8		1
46	GB5783-M8x20	bolt M8X20		5
47	GB93-8	Spring washer 8		9
48	AT120.109	Spring		1

Pos	Code	Description	NOTE	Q.
49	AT120.012	Upper Cover Base		1
50	UNF.5/16-24X1	Bolt UNF 5/16-24x1		4
51	L100B2.001	Pulley Clutch Assembly 2 Grooves		1
51	L100B3.001	Pulley Clutch Assembly 3 Grooves		1
52	AT120.114	Spacer Washer for Pulley 2 grooves		1
52	AT120.114.3	Spacer Washer for Pulley 3 grooves		1
53	UNF.7/16-20x1.5	Bolt UNF 7/16-20x1.5		1
54	AT120.102	Upper Cover		1
55	AT120.020	Right Support Plate		1
56	GB2673-M8x25	Bolt M8x25		8
57	AGL125.113	Bearing Seat		2
58	UC205	Bearing UC205		2
59	AT120.025	Roller		1
60	AT120.110	Fender		1
61	AT120.019	Left Support Plate		1
62	AT120.051	Tensioner Assembly Complete		1

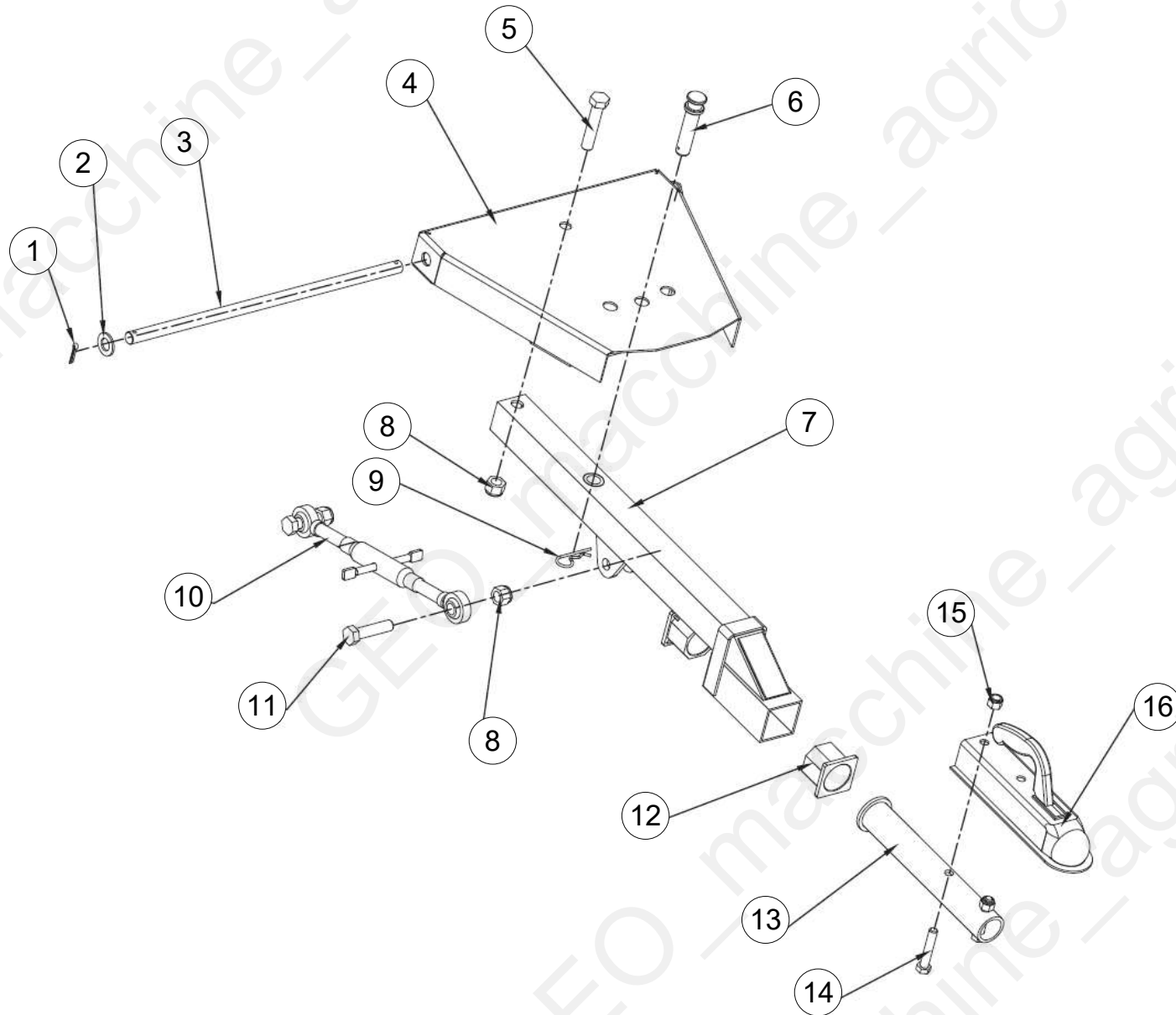


Machine: ATV WHT

Assembly: ATVwth\_parte 2



Pos	Code	Description	NOTE	Q.
1	AT120.002	Pulled Frame Assembly		1
2	AT120WD.003	Mower Assembly		1
3	AT120W.011	Wheel Axle		2
4	GB278-205-2Z	Bearing 205-2Z		4
5	16x6.5-8	ATV tire assembly		2
6	AT120.121	Bush		2
7	GB96-10	Washer 10		2
8	GB93-10	spring washer 10		2
9	GB5783-M10x25	Bolt M10X25		2
10	AT120.122	Dust Cover		2
11	GB889.1-M20	Locking nut M20		2
12	GB97.1-20	Plain washer 20		2
13	AT120W.101	Bush		2
14	AT120W.004	Handle Assembly		2
15	AT120WD.007	Back Door Assembly		1



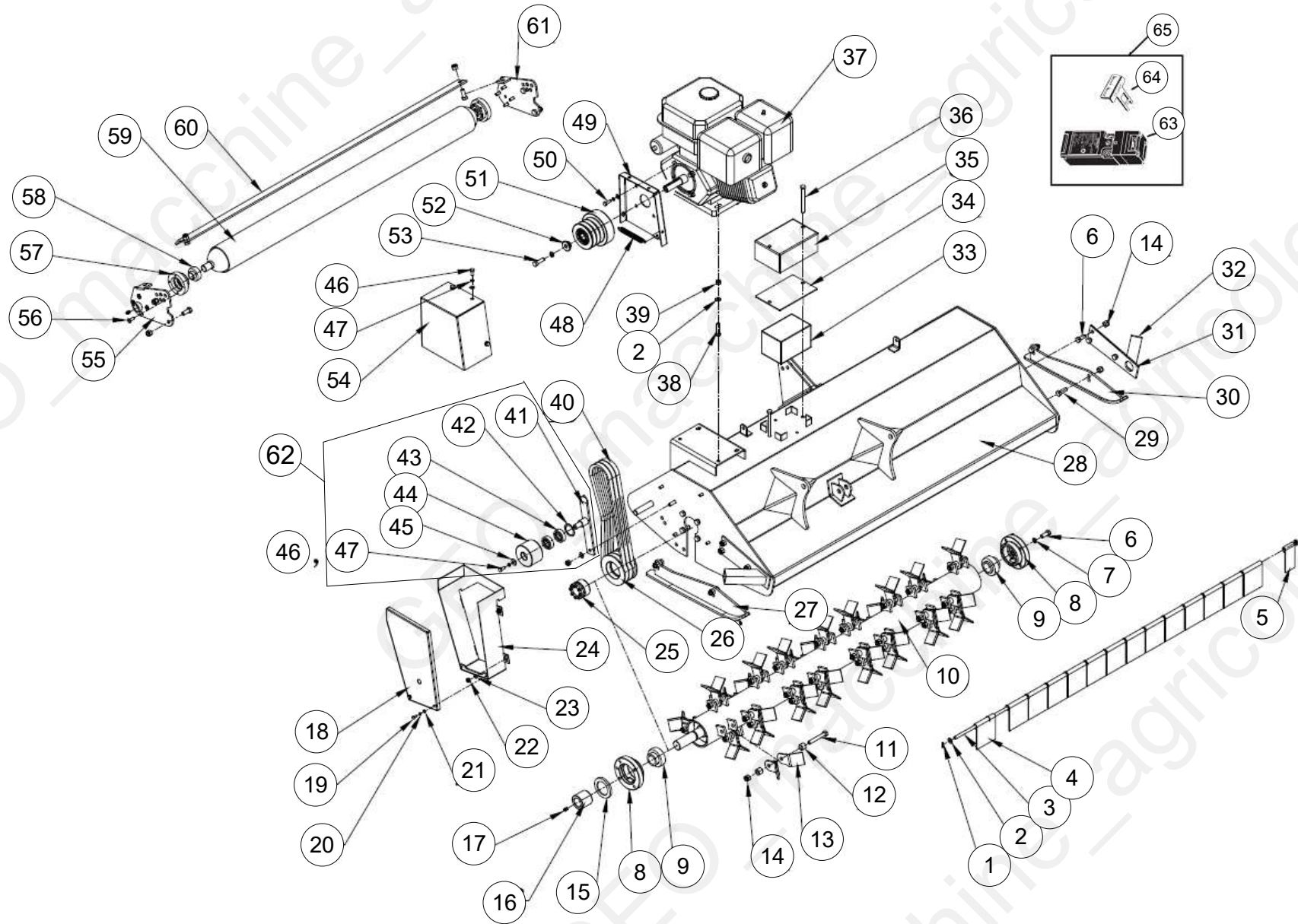


Pos	Code	Description	NOTE	Q.
1	GB/T91-5x30	cotter pin 5X30		2
2	GB97.1-18	Plain washer 18		2
3	AT120.108	rod		1
4	AT120.016	link plate weldment		1
5	GB5782-M16x80	Bolt M16x80		1
6	AT120.106	pin		1
7	AT120.015	pulled pipe weldment		1
8	GB889.1-M16	Locking nut M16		3
9	RP-3.2	R Pin 3.2		1
10	AT120.017	adjuster		1
11	GB5782-M16x65	Bolt M16x65		2
12	AT120.105	bush		2
13	AT120.014	link pipe		1
14	GB5782-M12x65	Bolt M12x65		2
15	GB889.1-M12	Locking nut M12		2
16	QT50	Trailer coupler 2"		1



## ATV OT





Pos	Code	Description	NOTE	Q.
1	GB91-3.2x16	cotter pin 3.2x16		2
2	GB97.1-10	PLAIN WASHER 10		21
3	AT120.111	Stick		1
4	AGL125.123	Fender 125		12
5	AGL125.124	Narrow Fender		1
6	GB5783-M12x30	Bolt M12X30		20
7	GB93-12	spring washer 12		9
8	EFGC125.115	Flange Bearing UC 207		2
9	UC207	Bearing UC207		2
10	AT120.026	Blade Axle		1
11	GB5782-M12x80	Bolt M12x80		28
12	ef.100.00.103	Spacer 12		56
13	ef.100.00.102	Blade Ø 12		64
14	GB889.1-M12	Locking nut M12		40
15	GB13871-55x80x8	Oil Seal 55x80x8		1
16	RK120.109.2	Spacer lower for Pulley 2 grooves		1
16	RK120.109.3	Spacer lower for Pulley 3 grooves		1
17	GB1152-M8x1	Grease Nipple M8x1		4
18	AT120.101	Lower Cover		1
19	GB5783-M6x12	bolt M6X12		2
20	GB93-6	spring washer 6		2
21	GB97.1-6	Plain washer 6		2
22	GB889.1-M8	Locking nut M8		4
23	GB97.1-8	Plain washer 8		12
24	AT120WD.012	Lower Cover Base		1

Machine: ATV OT

Assembly: ATV OT\_parte 1



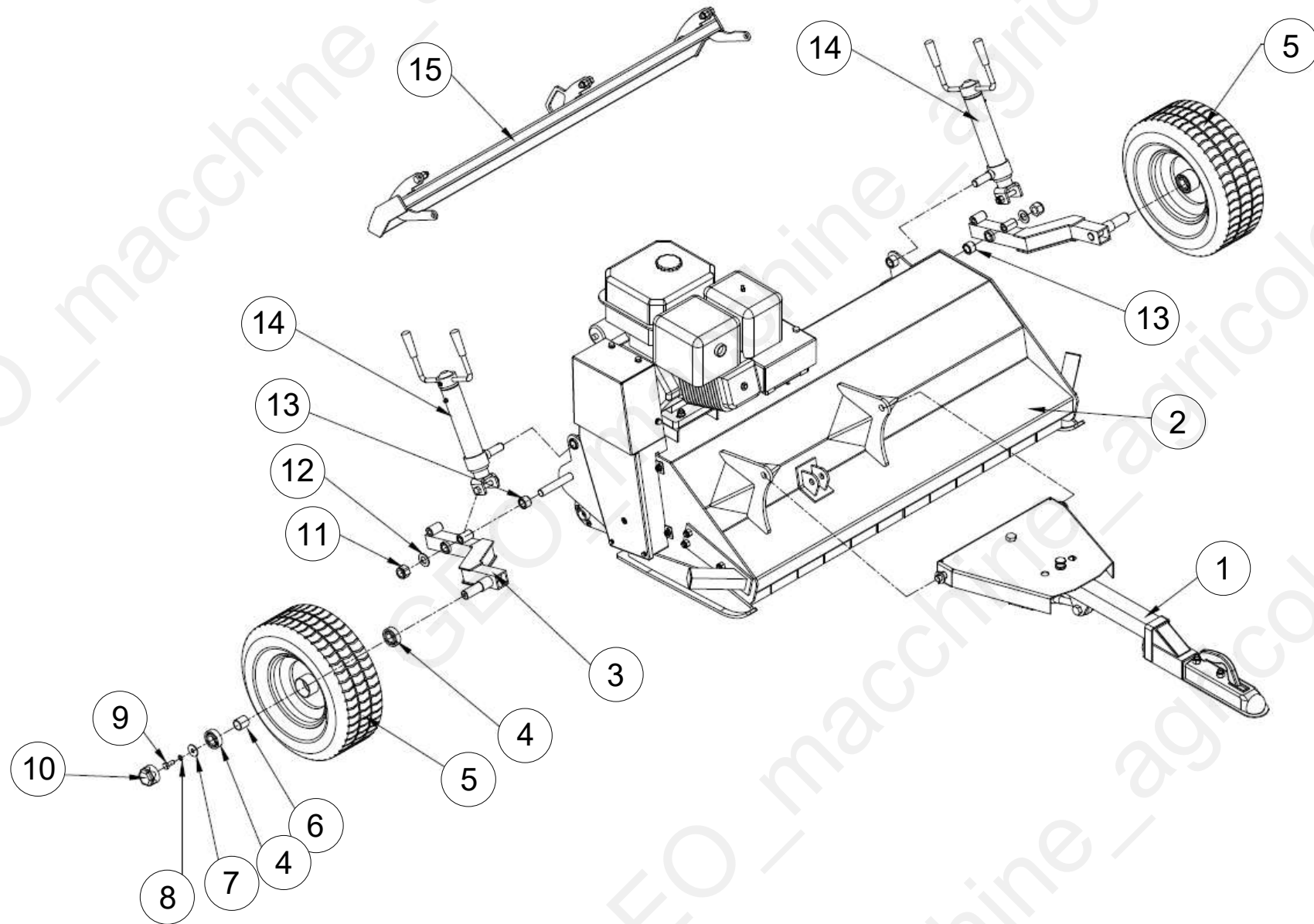
Pos	Code	Description	NOTE	Q.
25	JB/T7934Z3/35X60	Swellable sleeve 35X60		1
26	EFG120.105.2	small belt pulley 120mm 2 grooves		1
26	EFG120.105.3	small belt pulley 120mm 3 grooves		1
27	AT120.022	Right Skid		1
28	AT120WD.018	Mower Body		1
29	GB5783-M12x35	Bolt M12X35		4
30	AT120.021	Left Skid		1
31	AT120.013	Side Guard		2
32	AT120.104	Plug		2
33	6-DZM-14	Battery 6-DZM-14		1
34	AT120.131	Isolation Plate		1
35	AT120.132	Battery Cover		1
36	GB5782-M10x110	Bolt M10x110		2
37	JF420	engine JF420		1
38	GB5783-M10x45	Bolt M10X45		4
39	GB889.1-M10	Locking nut M10		5
40	GB/T1154-B1067	V Belt VB1067		2
41	AT120.024	Frame of Tension Pulley		1
42	GB893.1-47	Circlip 47		1
43	GB278-303	Bearing 6303-2Z		2
44	AT120.115	Tensioner Pulley		1
45	GB96-8	Plain washer 8		1
46	GB5783-M8x20	bolt M8X20		5
47	GB93-8	Spring washer 8		9
48	AT120.109	Spring		1

Machine: ATV OT

Assembly: ATV OT\_parte 1



Pos	Code	Description	NOTE	Q.
49	AT120.012	Upper Cover Base		1
50	UNF.5/16-24X1	Bolt UNF 5/16-24x1		4
51	L100B2.001	Pulley Clutch Assembly 2 Grooves		1
51	L100B3.001	Pulley Clutch Assembly 3 Grooves		1
52	AT120.114	Spacer Washer for Pulley 2 grooves		1
52	AT120.114.3	Spacer Washer for Pulley 3 grooves		11
53	UNF.7/16-20x1.5	Bolt UNF 7/16-20x1.5		1
54	AT120.102	Upper Cover		1
55	AT120.020	Right Support Plate		1
56	GB2673-M8x25	Bolt M8x25		8
57	AGL125.113	Bearing Seat		2
58	UC205	Bearing UC205		2
59	AT120.025	Roller		1
60	AT120.110	Fender		1
61	AT120.019	Left Support Plate		1
62	AT120.051	Tensioner Assembly Complete		1
63	04.00.1.7	Control Switch		1
64	04.00.1.6	KEY Switch		1
65	04.00.1.8	Safety Switch Ass.		1



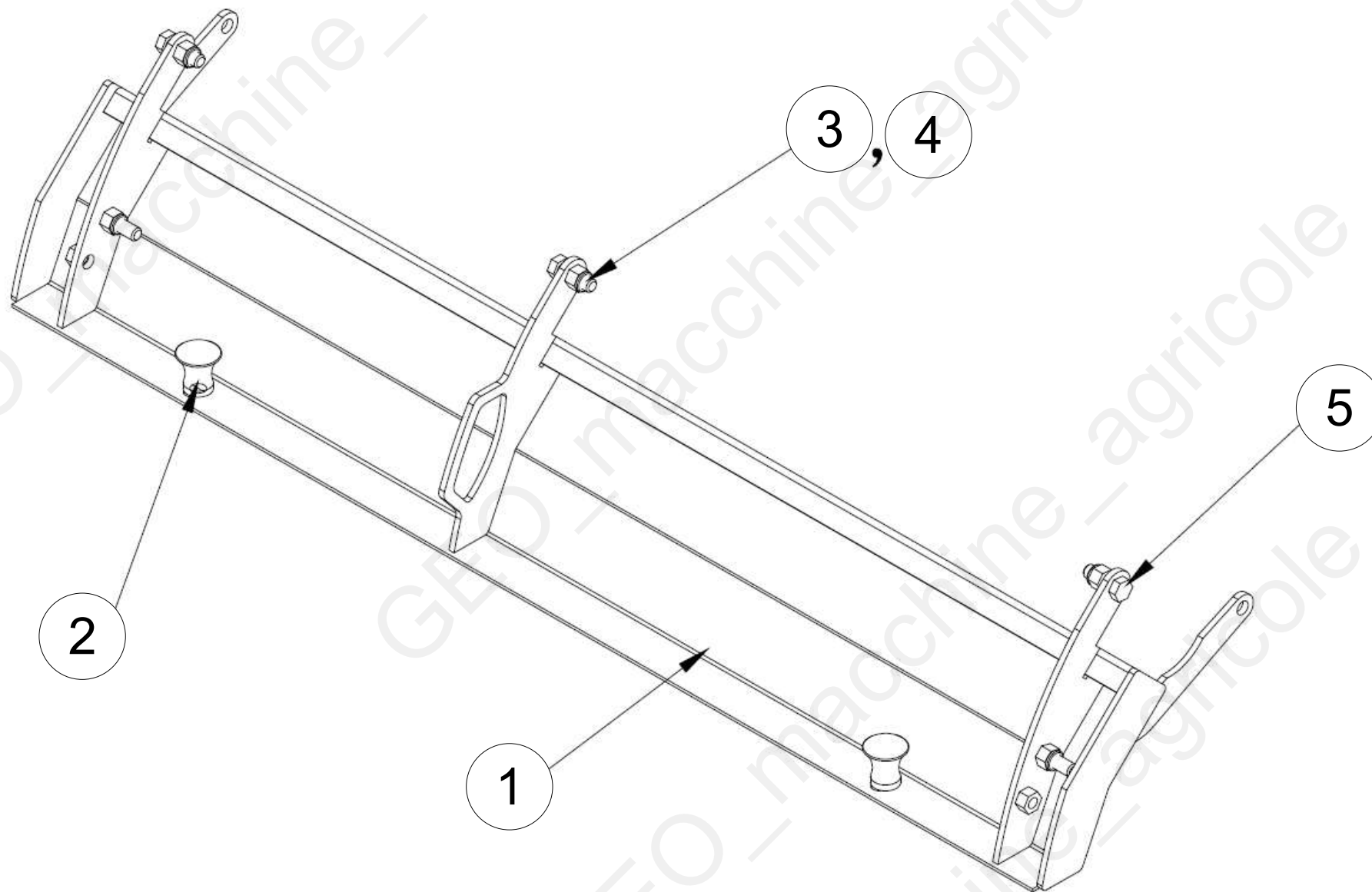
Machine: ATV OT

Assembly: ATV OT\_parte 2



Pos	Code	Description	NOTE	Q.
1	AT120.002	Pulled Frame Assembly		1
2	AT120WD.003	Mower Assembly		1
3	AT120W.011	Wheel Axle		2
4	GB278-205-2Z	Bearing 205-2Z		4
5	16x6.5-8	ATV tire assembly		2
6	AT120.121	Bush		2
7	GB96-10	Washer 10		2
8	GB93-10	spring washer 10		2
9	GB5783-M10x25	Bolt M10X25		2
10	AT120.122	Dust Cover		2
11	GB889.1-M20	Locking nut M20		2
12	GB97.1-20	Plain washer 20		2
13	AT120W.101	Bush		2
14	AT120W.004	Handle Assembly		2





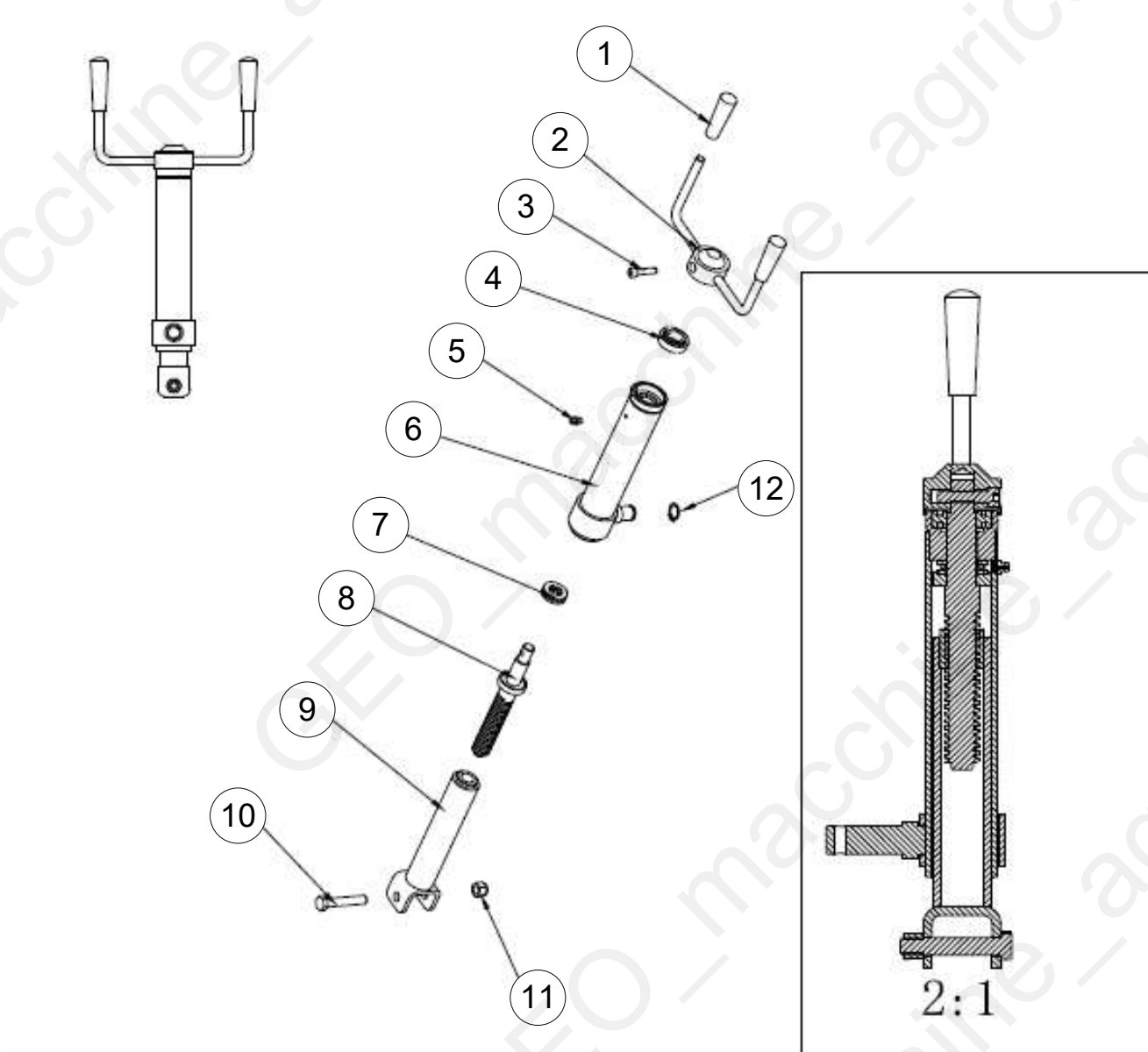


Machine: ATV OT

Assembly: ATV OT\_parte 3



Pos	Code	Description	NOTE	Q.
1	AT120WD.011	Back Door Weldment		1
2	GB4141.26-CM12x16	Lift Handle		2
3	GB5783-M12x35	Bolt M12X35		3
4	GB889.1-M12	Locking nut M12		5
5	GB5783-M12x40	bolt M12x40		2

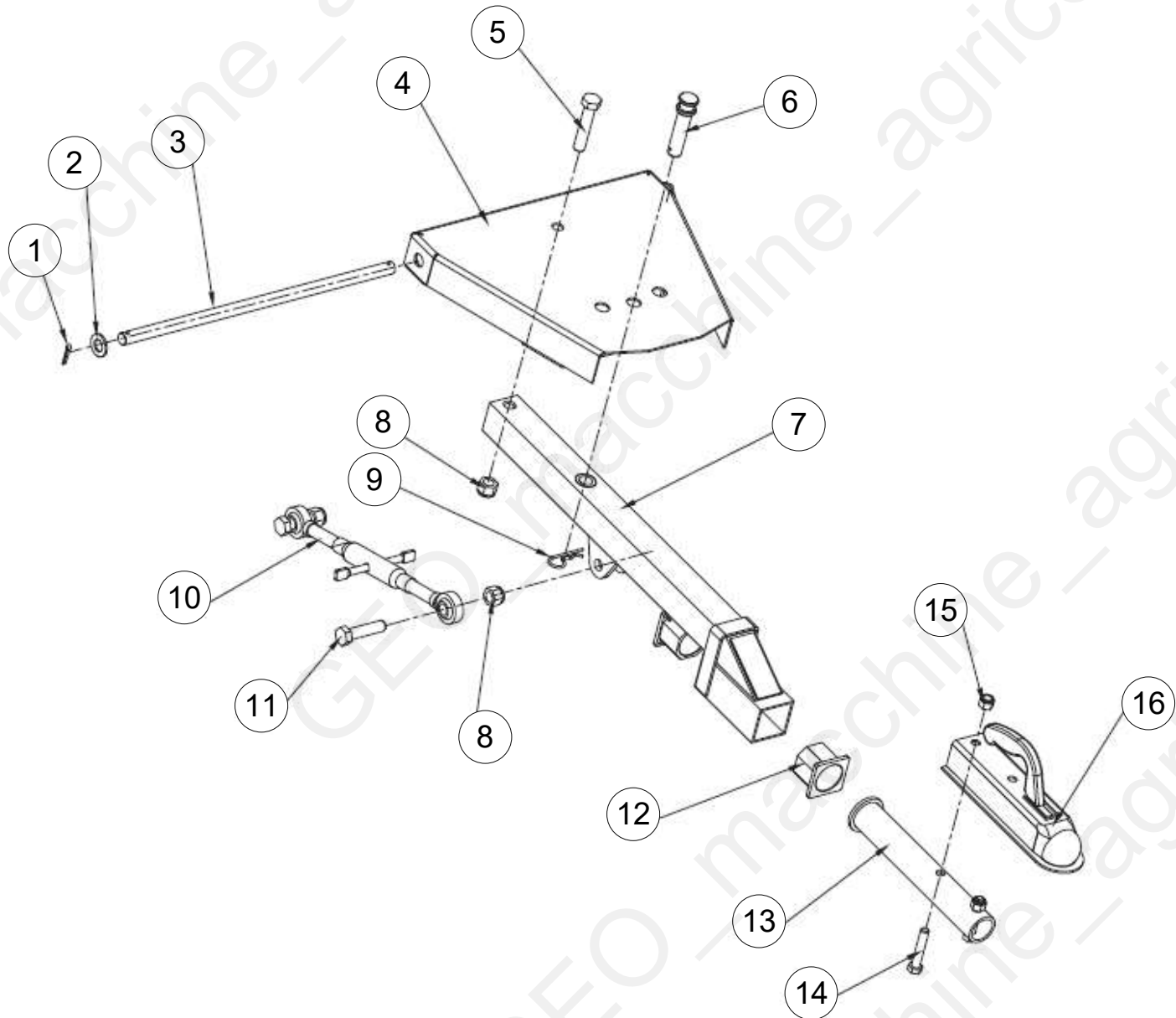


Machine: ATV OT

Assembly: ATV OT\_parte 4



Pos	Code	Description	NOTE	Q.
1	AT120.120	Handle Sleeve		2
2	AT120W.013	Handle		1
3	GB70.1-M8x35	bolt M8X35		1
4	GB276-8104-6004	Bearing 6004		1
5	GB1152-M6	Grease Nipple M6		1
6	AT120W.014	Outside Pipe		1
7	GB301-51104	Bearing 51104-8104		1
8	AT120W.015	Screw Thread Rod		1
9	AT120W.016	Inside Pipe		1
10	GB5782-M12x70	Bolt M12x70		1
11	GB889.1-M12	Locking nut M12		1
12	GB894.1-20	Circlip 20		1



Machine: ATV OT

Assembly: ATV OT\_parte 5



Pos	Code	Description	NOTE	Q.
1	GB/T91-5x30	cotter pin 5X30		2
2	GB97.1-18	Plain washer 18		2
3	AT120.108	rod		1
4	AT120.016	link plate weldment		1
5	GB5782-M16x80	Bolt M16x80		1
6	AT120.106	pin		1
7	AT120.015	pulled pipe weldment		1
8	GB889.1-M16	Locking nut M16		3
9	RP-3.2	R Pin 3.2		1
10	AT120.017	adjuster		1
11	GB5782-M16x65	Bolt M16x65		2
12	AT120.105	bush		2
13	AT120.014	link pipe		1
14	GB5782-M12x65	Bolt M12x65		2
15	GB889.1-M12	Locking nut M12		2
16	QT50	Trailer coupler 2"		1