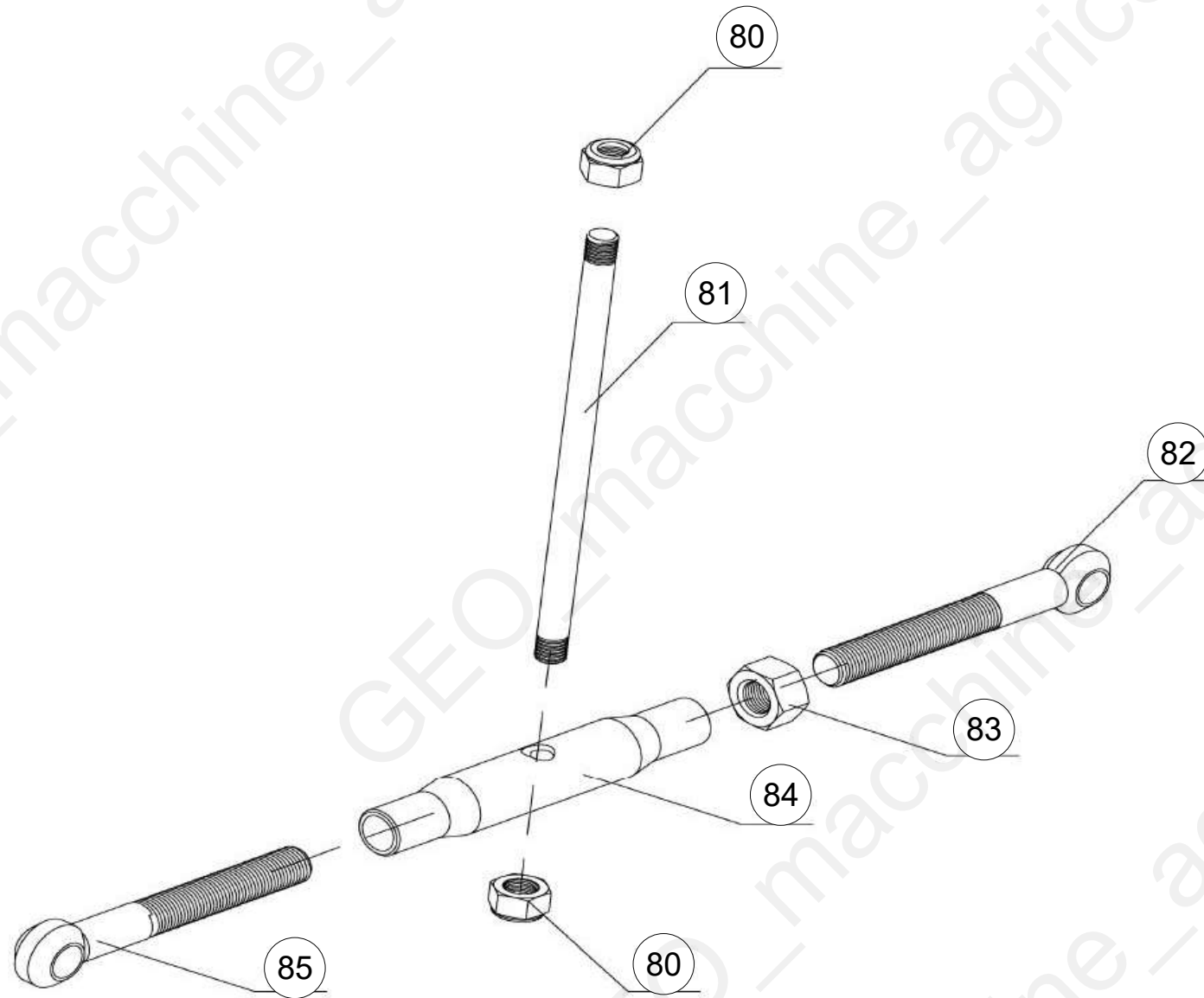


LM120



Table of Contents

Tavola	Page
LM120_parte 1	3
LM120_parte 2	5
LM120_parte 3	8
LM120_parte 4	10
LM120_parte 5	12
LM120_parte 6	14
LM120_parte 7	18
LM120_parte 8	20

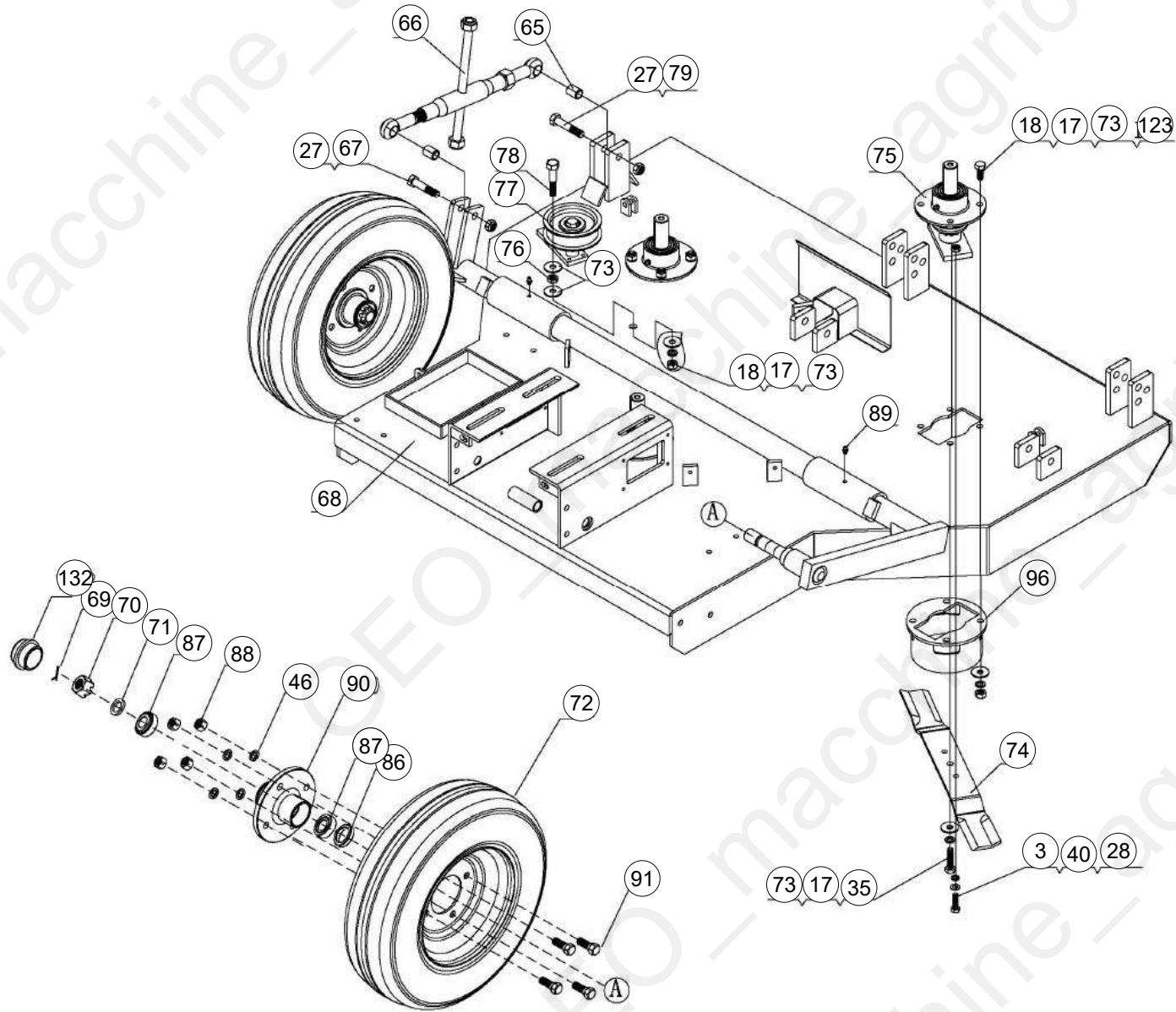


Machine: LM120

Assembly: LM120_parte 1



Pos	Code	Description	NOTE	Q.
80	9206-14000-DX	Nylon Lock Nut M14		2
81	NG01-41001-DX	Adjustable Handle		1
82	N630-50002-DX	Adjustable Rod A		1
83	9201-20000-DX	Hex Nut M20		1
84	NG01-41002-DX	Adjustable Rod (middl		1
85	N630-50001-DX	Adjustable Rod B		1



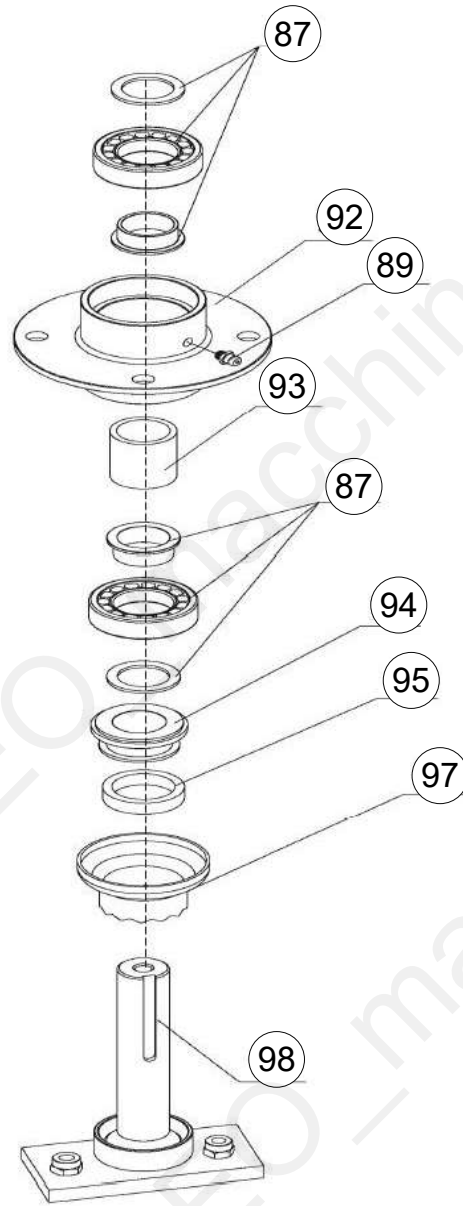
Pos	Code	Description	NOTE	Q.
3	9306-08000-DX	Lock Washer Ø8		6
17	9306-10000-DX	Lock Washer Ø10		16
18	9206-10000-DX	Hex Lock Nut M10		13
27	9206-12000-DX	Nylon Lock Nut M12		2
28	9101-08030-DX8.8	Hex Bolt M8x30		6
35	9101-10045-DX8.8	Hex Bolt M10x45		3
40	9301-08000-DX	Flat Washer Ø8		6
46	9306-12000-DX	Lock Washer Ø12		10
65	NG01-40001-DX	Bushing		2
66	NG01-41000	Adjustable Handle		1
67	9102-12055-DX8.8	Hex Bolt M12x55		1
68	NG01-45000	Base Frame		1
69	9404-04025-DX	Cotter Pin Ø4x25		2
70	9205-20000-DX	Slotted Nut M20		2
71	9301-20000-DX	Flat Washer Ø20		2
72	N293-10001	Wheel		2
73	9302-10000-DX	Big Flat Washer Ø10		18
74	NG01-40002	Blade		3
75	NG01-44000	Blade Base		3
76	9202-10000-DX	Hex Nut M10		1
77	NG01-42000	Tension Pulley		1
78	NG01-40003-DX	Connect Bolt		1
79	9101-12060-DX8.8	Hex Bolt M12x60		1
86	9905-30042	Oil Seal		2
87	9603-20042	Tapered Ball Bearing		4

Machine: LM120

Assembly: LM120_parte 2



Pos	Code	Description	NOTE	Q.
88	9201-12000-DX1.25	Hex Nut M12		8
89	9701-06000	Oil Cup M6		2
90	N29W-03100	Flange Ring		2
91	N293-10004	Tapered Hex Bolt		8
96	NG01-91000	Big Guardrail Circle		3
123	9102-10035-DX8.8	Hex Bolt M10x35		12
132	ATBH-128	hub cap		1

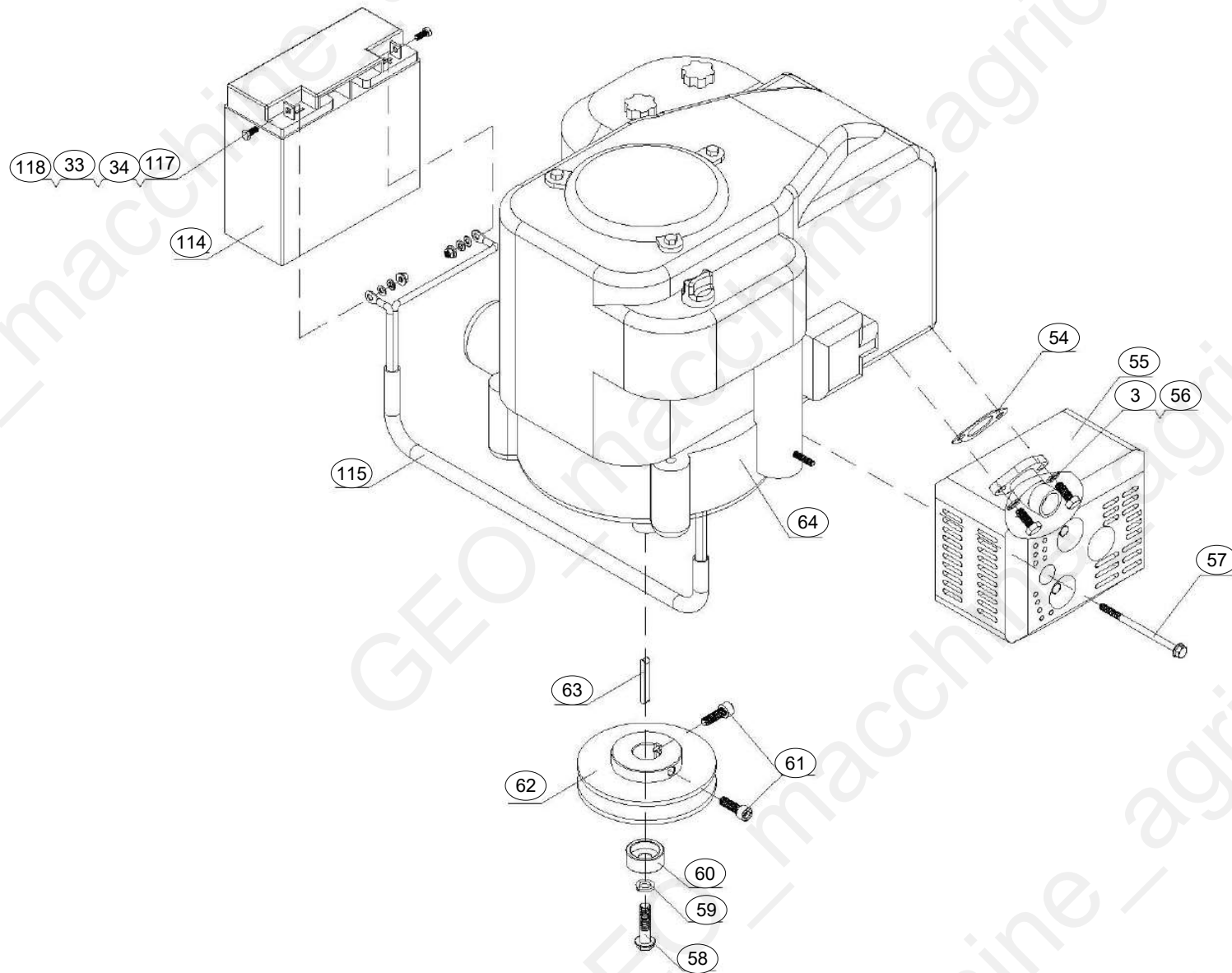


Machine: LM120

Assembly: LM120_parte 3



Pos	Code	Description	NOTE	Q.
87	9609-UNP205E	Roller Bearing		2
89	GB1152/M6	Oil Cup M6		1
92	NG01-44001-DX	Flange Base		1
93	NG01-44002-DX	Bearing Retainer A		1
94	NG02-02002-DX	Bearing Retainer		1
95	NG02-02003	Felt Ø30xØ39		1
97	NG01-44003-DX	Dust Cover		1
98	NG01-44100-DX	Blade Base		1

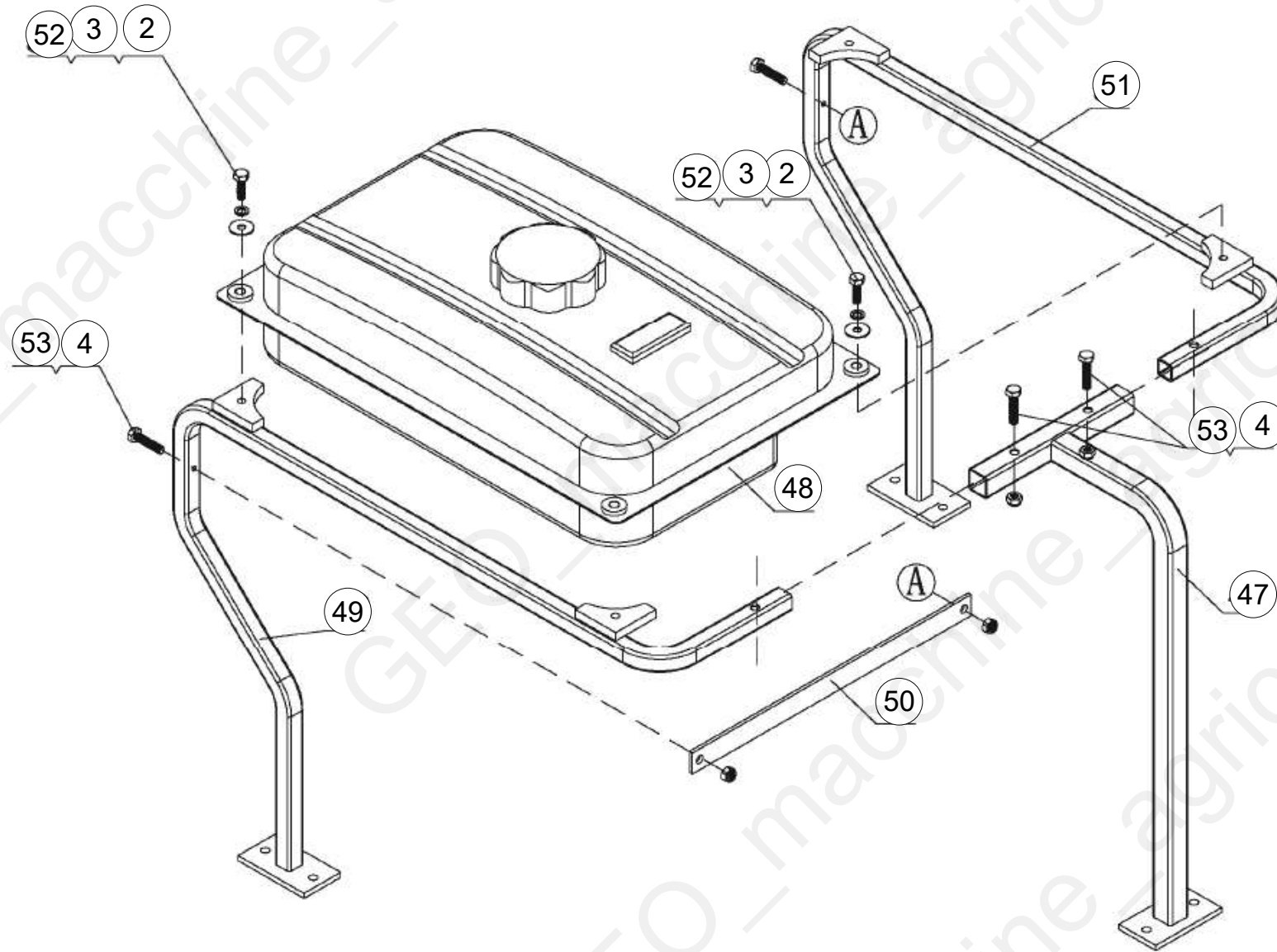


Machine: LM120

Assembly: LM120_parte 4



Pos	Code	Description	NOTE	Q.
3	9306-08000-DX	Lock Washer Ø8		2
33	9306-05000-DX	Lock Washer Ø5		2
34	9301-05000-DX	Flat Washer Ø5		2
54	NG01-20004_1	Washer		1
55	NG01-22000	Muffler		1
56	9101-0516-DX8.8	Hex Bolt 5/16"x1"		2
57	9115-06120-DX10.9	Flange Bolt M6x120		1
58	9115-11040-DX10.9	Flange Bolt 7/16x40		1
59	9306-12000-DX	Lock Washer Ø12		1
60	NG01-20001-DX	Engine Bushing		1
61	9105-08025-DX8.8	Inner Hex Screw M8x25		2
62	NG01-20002-DX	Blade Belt Pulley C		1
63	NG01-20003	Belt Pulley Flat Key C		1
64	NG01-21000	Engine 16HP		1
114	NG01-20004	12V Battery		1
115	NG01-23000	Wire		1
117	9101-05014-DX	Hex Bolt M5x16		2
118	9212-05000-DX	Flange Nut M5		2

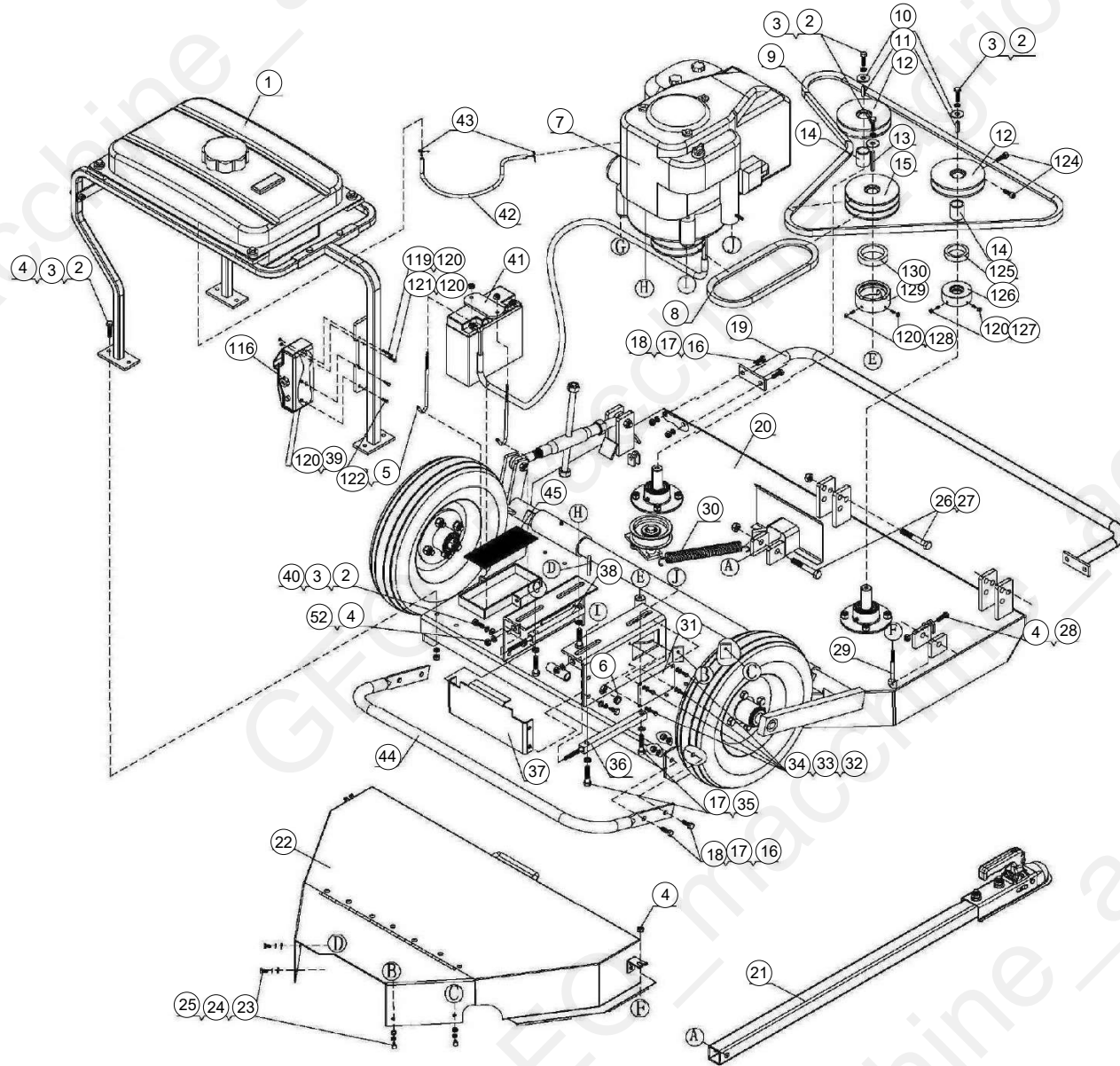


Machine: LM120

Assembly: LM120_parte 5



Pos	Code	Description	NOTE	Q.
2	9101-08025-DX8.8	Hex Bolt M8x25		4
3	9306-08000-DX	Lock Washer Ø8		4
4	9206-08000-DX	Nylon Lock Nut M8		4
47	NG01-12000	Tube Assembly		1
48	NG01-13000	Oil Tank Assembly		1
49	NG01-14000	Engine Cradle B		1
50	NG01-10001	Support Connector		1
51	NG01-11000	Engine Cradle A		1
52	9302-08000-DX	Big Flat Washer Ø8		4
53	9101-08035-DX8.8	Hex Bolt M8x35		4



Pos	Code	Description	NOTE	Q.
2	9101-08025-DX8.8	Hex Bolt M8x25		13
3	9306-08000-DX	Lock Washer Ø8		13
4	9206-08000-DX	Nylon Lock Nut M8		12
5	NG01-00001-DX	Battery Hook		2
6	NG01-00002	Rubber Bushing		2
8	NG01-00003	SPB686 Angle Belt		1
9	NG01-00004	SPB2134 Angle Belt		1
10	NG01-00005-DX	Belt Pulley Washer A		3
11	NG01-00006	Belt Pulley Flat Key A		2
12	NG01-00007-DX	Blade Belt Pulley A		2
13	NG01-00008	Belt Pulley Flat Key B		1
14	NG01-00009-DX	Blade Retainer A		2
15	NG01-00010-DX	Blade Belt Pulley B		1
16	9101-10025-DX8.8	Hex Bolt M10x25 (8.8)		8
17	9306-10000-DX	Lock Washer Ø10		12
18	9206-1000-DX	Nylon Lock Nut M10		8
19	NG01-30000	Safety Rod Front		1
23	9101-06016-DX8.8	Hex Bolt M6x16 (8.8)		4
24	9306-06000-DX	Lock Washer Ø6		4
25	9301-06000-DX	Flat Washer Ø6		4
26	9101-12080-DX8.8	Hex Bolt M12x80		2
27	9206-12000-DX	Nylon Lock Nut M12		2
28	9101-08030-DX8.8	Hex Bolt M8x30		2
29	NG01-00011-DX	Hook		2
30	NG01-00013	Spring		1

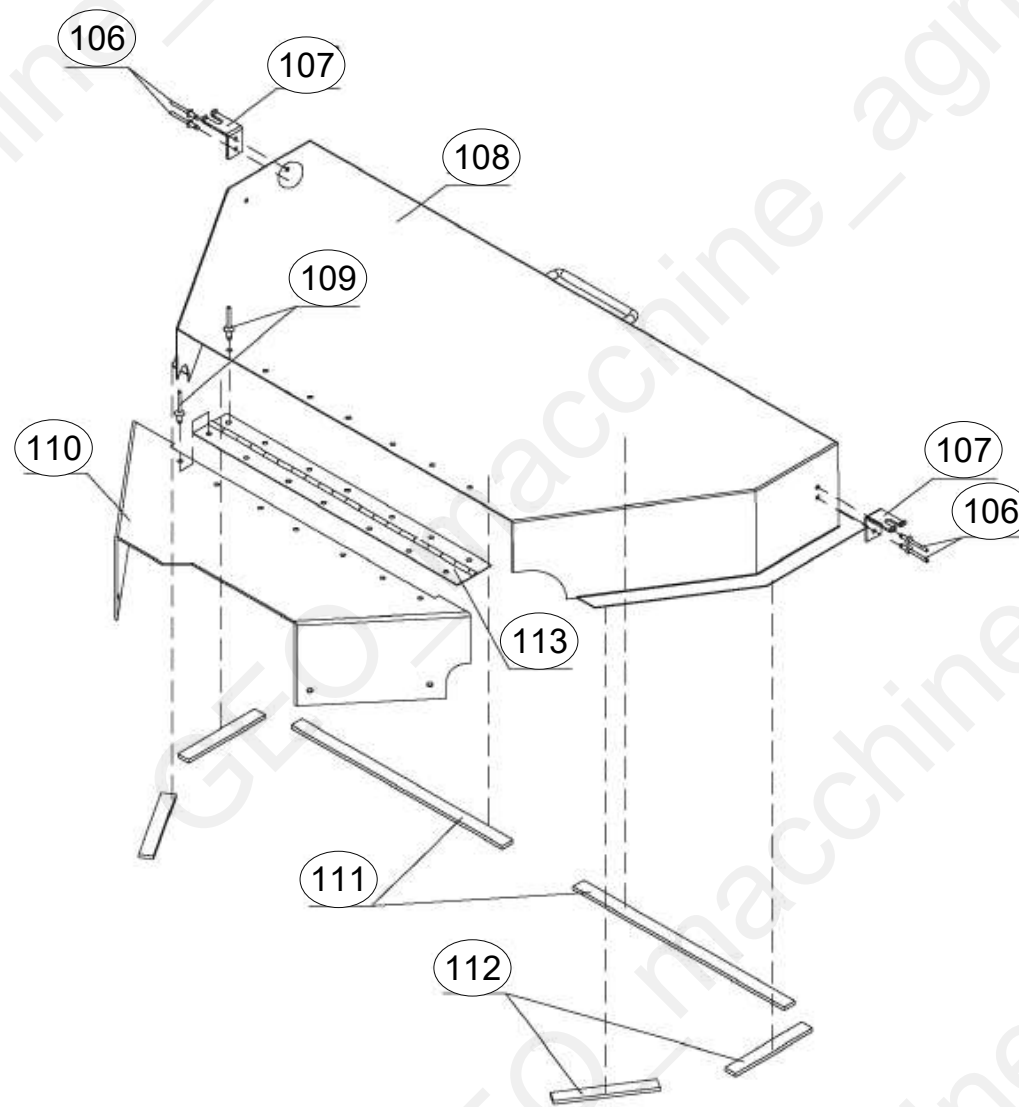
Pos	Code	Description	NOTE	Q.
31	NG01-00013_1	Side Plate		2
32	9101-05012-DX	Hex Bolt M5x12		8
33	9306-05000-DX	Lock Washer Ø5		8
34	9301-05000-DX	Flat Washer Ø5		8
35	9101-10045-DX8.8	Hex Bolt M10x45		4
36	NG01-70000	Adjustable Plate B		1
37	NG01-80000	Back Plate		1
38	BG01-90000	Adjustable Plate A		1
39	9101-05020-DX	Hex Bolt M5x20		2
40	9301-08000-DX	Flat Washer Ø8		2
41	NG01-00014	Battery Press Plate		1
42	NG01-00015	Hydraulic Hose (350mm)		1
43	NG01-00016	Hose Clamp		2
44	NG01-00017	Safety Rod Back		1
45	NG01-00018	Rubber Plate for Battery		1
52	9302-08000-DX	Big Flat Washer Ø8		2
116	NG01-24000	Electric Start Switch		1
119	9101-05035-DX	Hex Bolt M5x35		1
120	9206-05000-DX	Nylon lock Nut M5		10
121	9101-05025-DX	Hex Bolt M5x25		1
122	9206-06000-DX	Nylon lock Nut M6		2
124	9109-08015-FH12.9	Screw M8x15		6
125	NG01-00022	Driven Pulley Felt		2
126	NG01-00020-DX	Driven Pulley Seal		2
127	9109-05012-FH12.9	Screw M5x12		4

Machine: LM120

Assembly: LM120_parte 6



Pos	Code	Description	NOTE	Q.
128	9109-05020-FH12.9	Screw M5x20		2
129	NG01-00019-DX	Active Pulley Seal		1
130	NG01-00023	Spacer Pulley		1

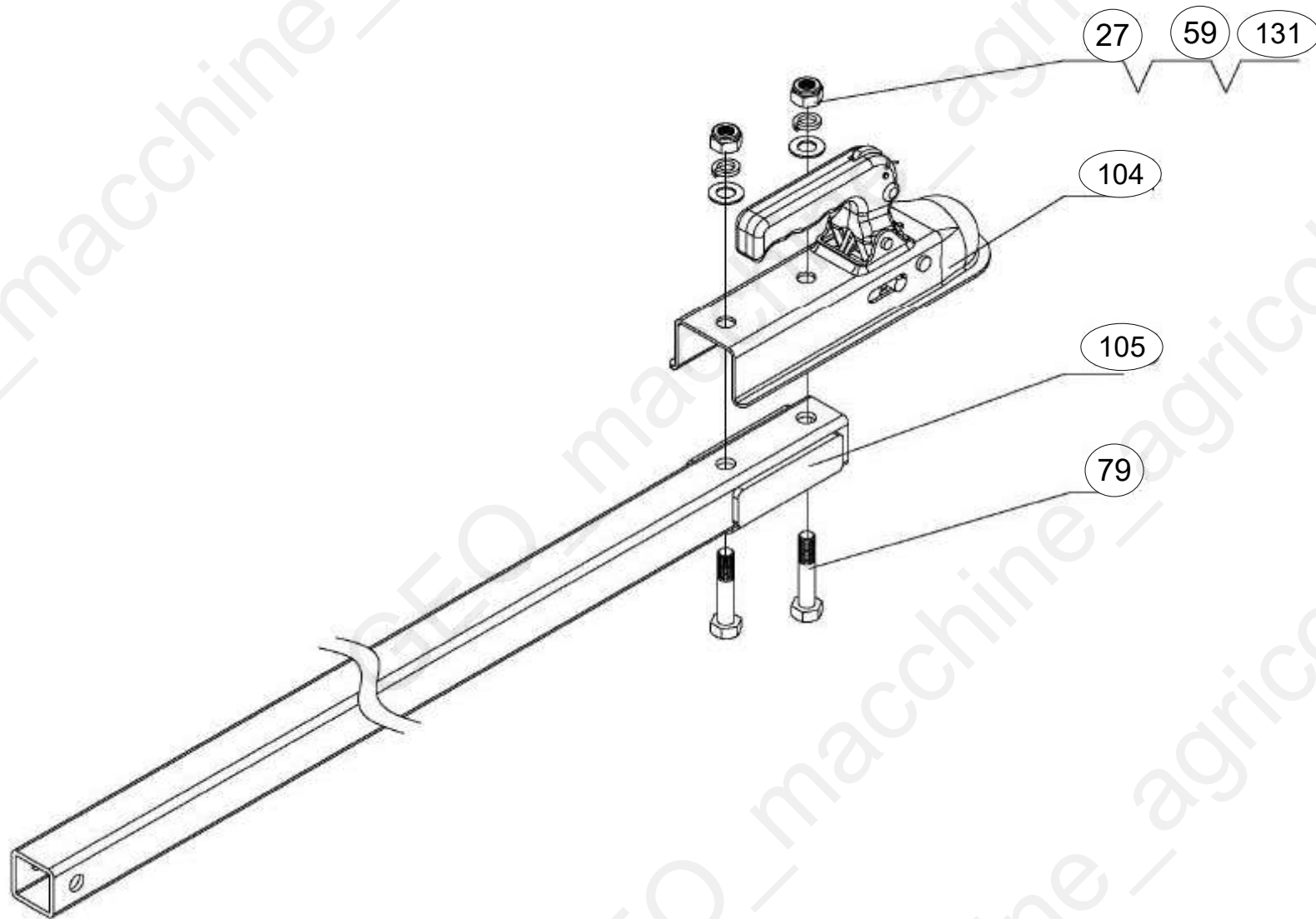


Machine: LM120

Assembly: LM120_parte 7



Pos	Code	Description	NOTE	Q.
106	9504-05012-YH	Rivet Ø5x12		4
107	NG01-6001-DX	Turn Clip		2
108	NG01-61000	Protect Cover		1
109	9504-06012-YH	Rivet Ø16x12		14
110	NG01-60004	Belt Pulley Cover		1
111	NG01-60002	Shock Pad Long		2
112	NG01-60003	Shock Pad Short		4
113	NG01-62000-DX	Hinge		1



Machine: LM120

Assembly: LM120_parte 8



Pos	Code	Description	NOTE	Q.
27	9206-12000-DX	Nylon Lock Nut M12		2
59	9306-12000-DX	Lock Washer Ø12		2
79	9101-12060-DX8.8	Hex Bolt M12x60		2
104	Z104SP	Cast Coupler		1
105	NG04-01000_1	Tow Bar		1
131	9301-12000-DX	Flat Washer Ø12		2