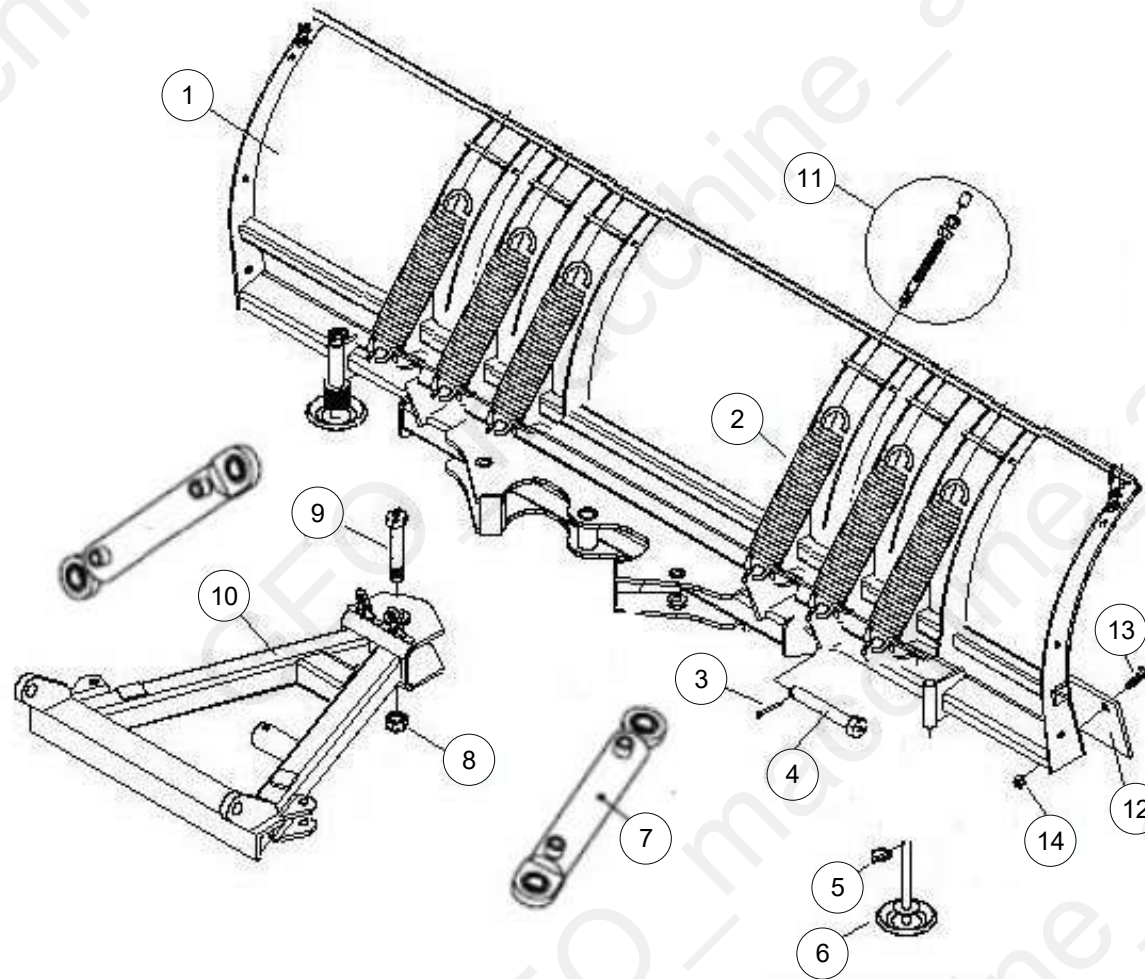


SPN



Table of Contents

Tavola	Page
SPN	3



Machine: SPN

Assembly: SPN



Pos	Code	Description	NOTE	Q.
1	SPN.01	Main Frame		1
2	SPN.02	Spring SPN		6
3	SPN.03	Elastic pin		1
4	SPN.04	pin		1
5	SPN.05	Circlip		1
6	SPN.06	Support		1
7	SPN.07	Cylinder SPN		2
8	SPN.08	Nut		1
9	SPN.09	Pin		1
10	SPN.10	Three Point Frame		1
11	SPN.11	Spring Bolt		6
12	SPN.000.175	SPN Rubber Plate 175		1
12	SPN.000.200	SPN Rubber Plate 200		1
12	SPN.000.220	SPN Rubber Plate 220		1
12	SPN.000.250	SPN Rubber Plate 250		1
12	SPN.001.175	SPN Steel Plate 175		1
12	SPN.001.200	SPN Steel Plate 200		1
12	SPN.001.220	SPN Steel Plate 220		1
12	SPN.001.250	SPN Steel Plate 250		1
13	SPN.13	Bolt		1
14	SPN.14	Nut		1