

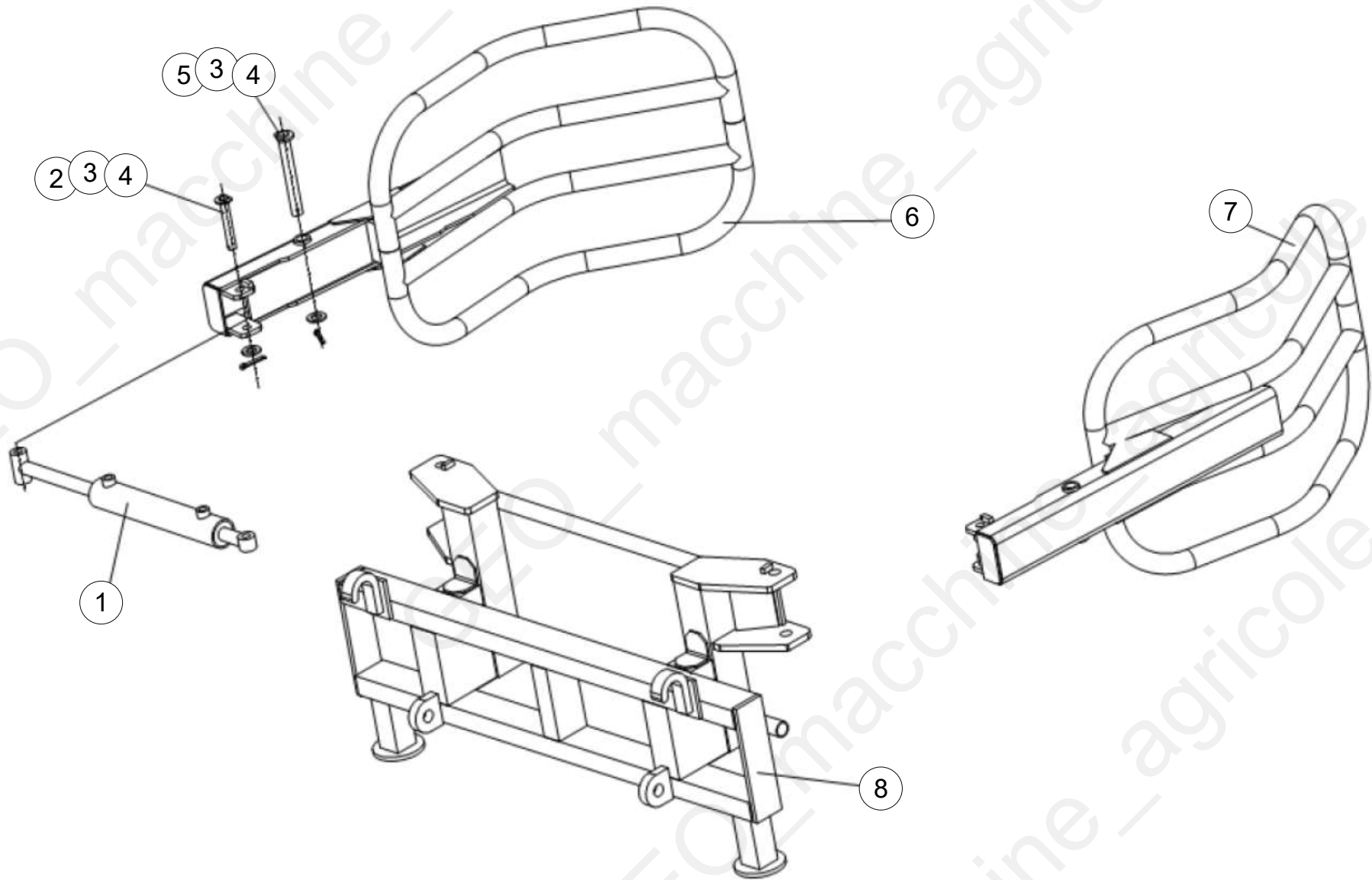
BG



GEO Italy S.R.L.

Table of Contents

Tavola	Page
BG_parte 1	3
BG_parte 2	5

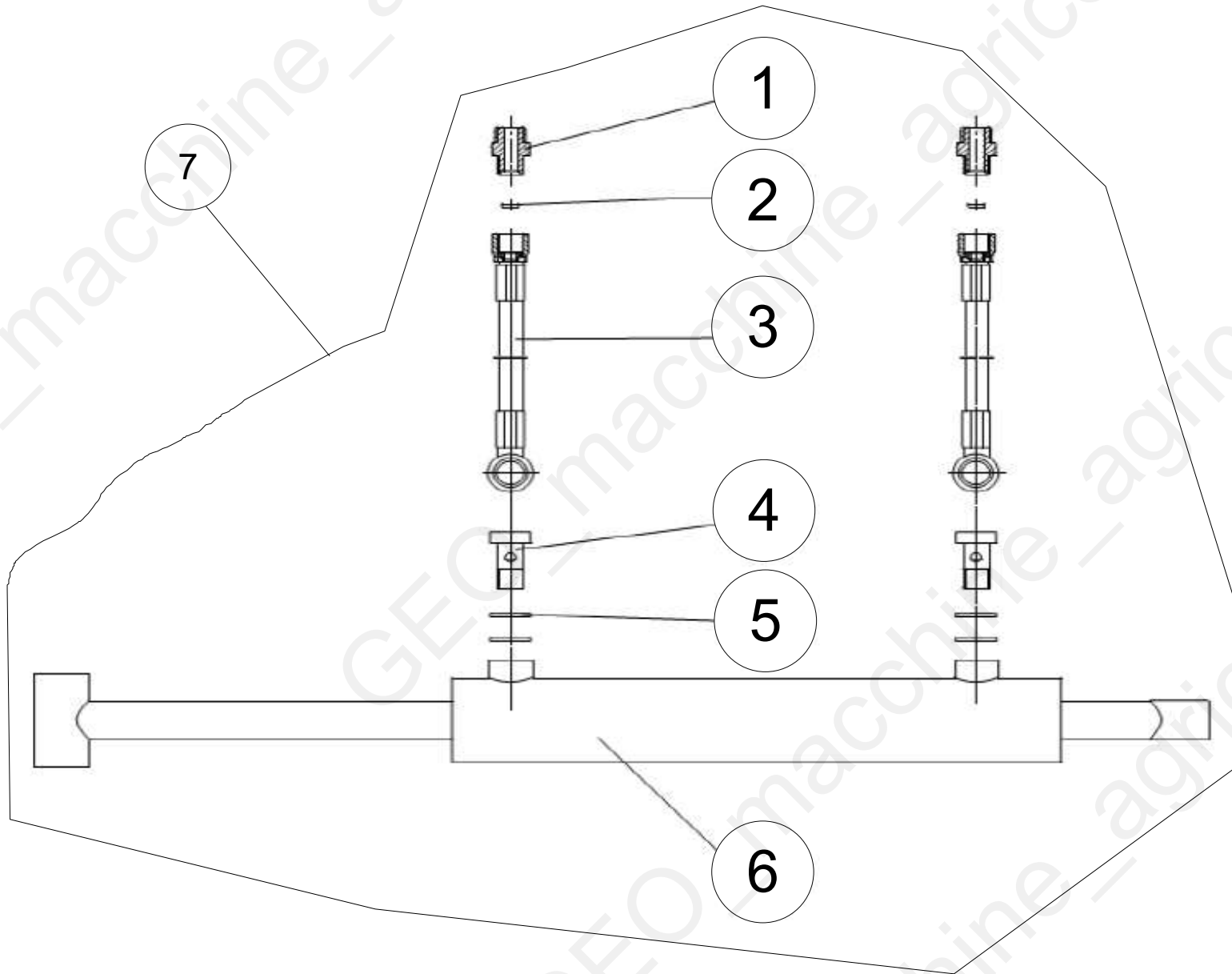


Machine: BG

Assembly: BG_parte 1



Pos	Code	Description	NOTE	Q.
1	WD70-012	Hydraulic pressure loop assembly		1
2	WD70-101	Oil cylinder pin		2
3	GB/T97.1-2002-16	Plain washer 16		4
4	GB/T91-2000/6.3X50	Cotter pin 6.3X50		4
5	Z03-02-499	Running pin		2
6	WD70-ARM.L.H.S-A	Grass clip left paw weldment		1
7	WD70-ARM.R.H.S	Grass clip right paw weldment		1
8	WD70-MF-A	Grass clip seat weldment		1



Machine: BG

Assembly: BG_parte 2



Pos	Code	Description	NOTE	Q.
1	QC-R1/2-M	Quick Connector R1/2		2
2	GB3452.1-92	O-ring seal 13X2.4		2
3	WD70.013	Oil pipe 2		2
4	FEL300.403	Hollow bolt M18		2
5	JB1002-77	Seal washer 18		4
6	WD70-012	Hydraulic pressure loop assembly		1
7	Pipe_BG	Complete set of 1 pipe		2