

MD



Table of Contents

Tavola	Page
MD 300	3
MD 500	26
MD 500 ECO	51

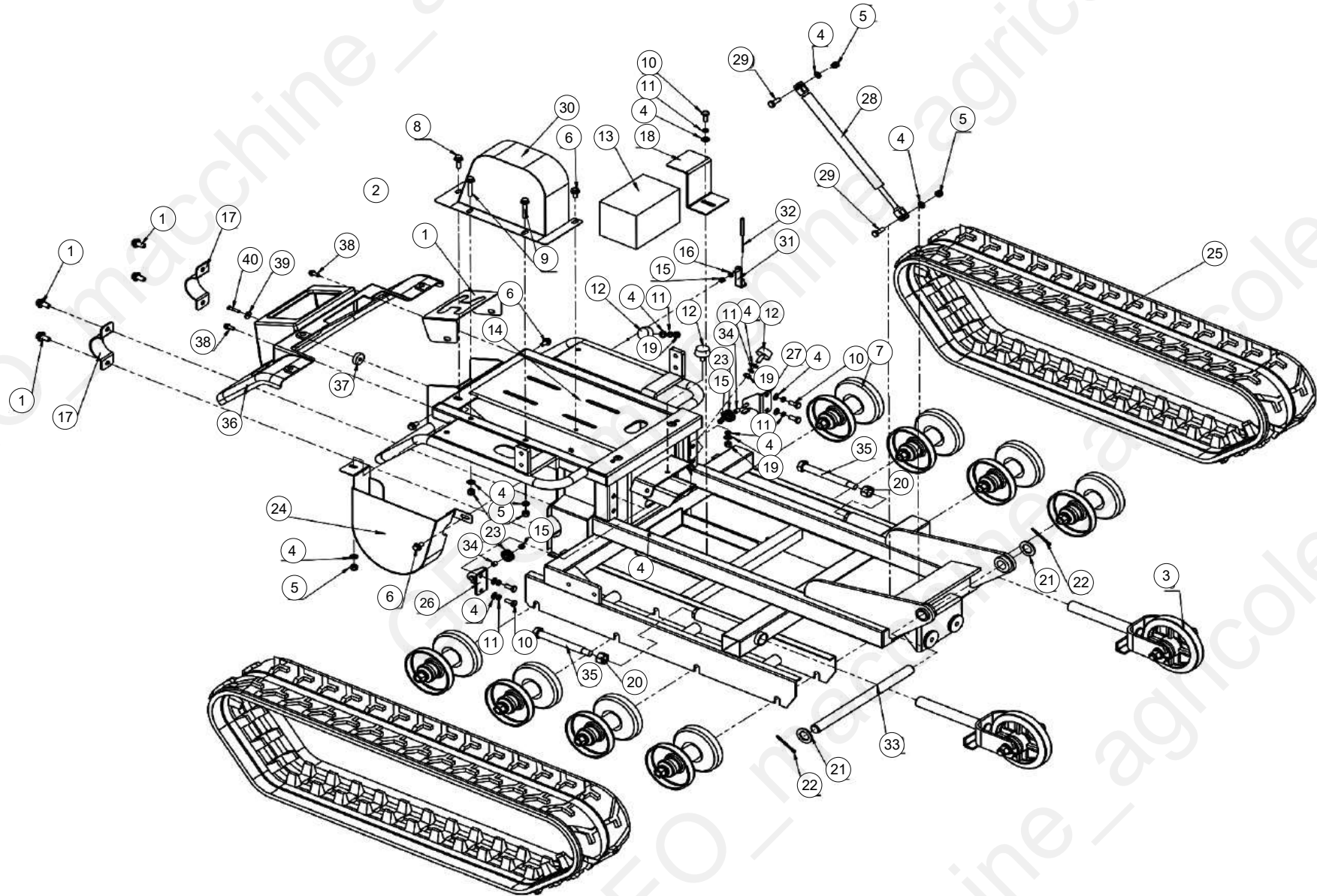
MD 300



Dumper



Garden



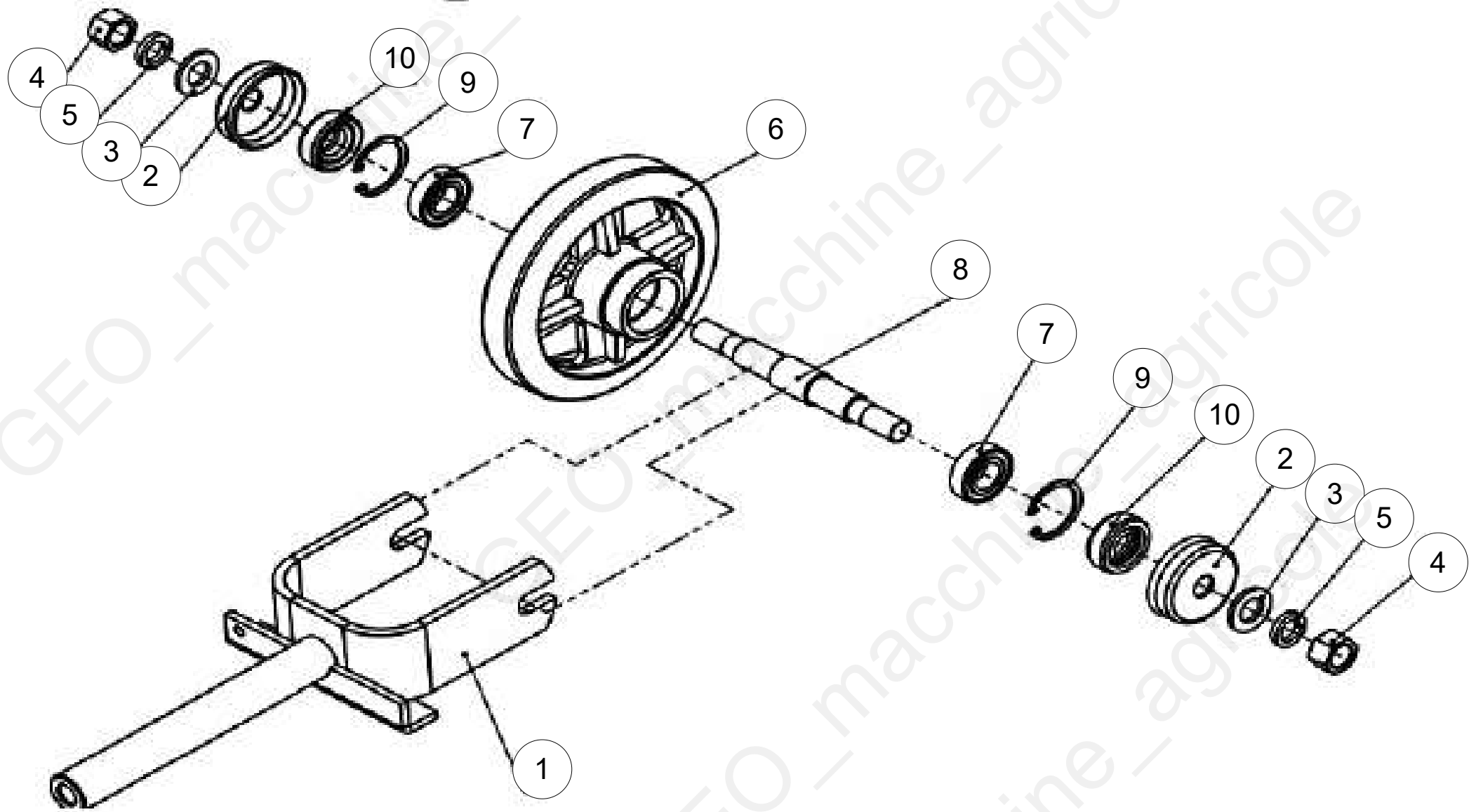
Pos	Code	Description	NOTE	Q.
1	MD.01.001	bolt		8
2	MD.01.002	Gear Support		1
3	MD.01.003	track Tensioner Assembly		2
4	MD.01.004	washer		1
5	MD.01.005	nut		1
6	MD.01.006	Screw		6
7	MD.01.007	wheel Track		8
8	MD.01.008	Bolt		6
9	MD.01.009	Bolt		4
10	MD.01.010	bolt		8
11	MD.01.011	spring washer		6
12	MD.01.012	Rubber Cap		6
13	MD.01.013	Cover		1
14	MD.01.014	Main Frame		1
15	MD.01.015	washer		8
16	MD.01.016	washer		8
17	MD.01.017	Support		1
18	MD.01.018	support		1
19	MD.01.019	nut		2
20	MD.01.020	nut		2
21	MD.01.021	washer		4
22	MD.01.022	pin		4
23	MD.01.023	Spacer		2
24	MD.01.024	Belt Cover Lower		1
25	MD.01.025	rubber track		2

Machine: MD 300

Assembly: MD300_Parte1



Pos	Code	Description	NOTE	Q.
26	MD.01.026	plate R		1
27	MD.01.027	plate L		1
28	MD.01.028	Gas Spring Lifter		1
29	MD.01.029	Bolt		1
30	MD.01.030	Belt Cover Upper		1
31	MD.01.031	plate		1
32	MD.01.032	pin		1
33	MD.01.033	axle		2
34	MD.01.034	spacer		2
35	MD.01.035	Bolt PIN		2
36	MD.01.036	Transmission Cover		1
37	MD.01.037	Spacer		4
38	MD.01.038	screw bolt		4
39	MD.01.039	washer		4
40	MD.01.040	bolt		4

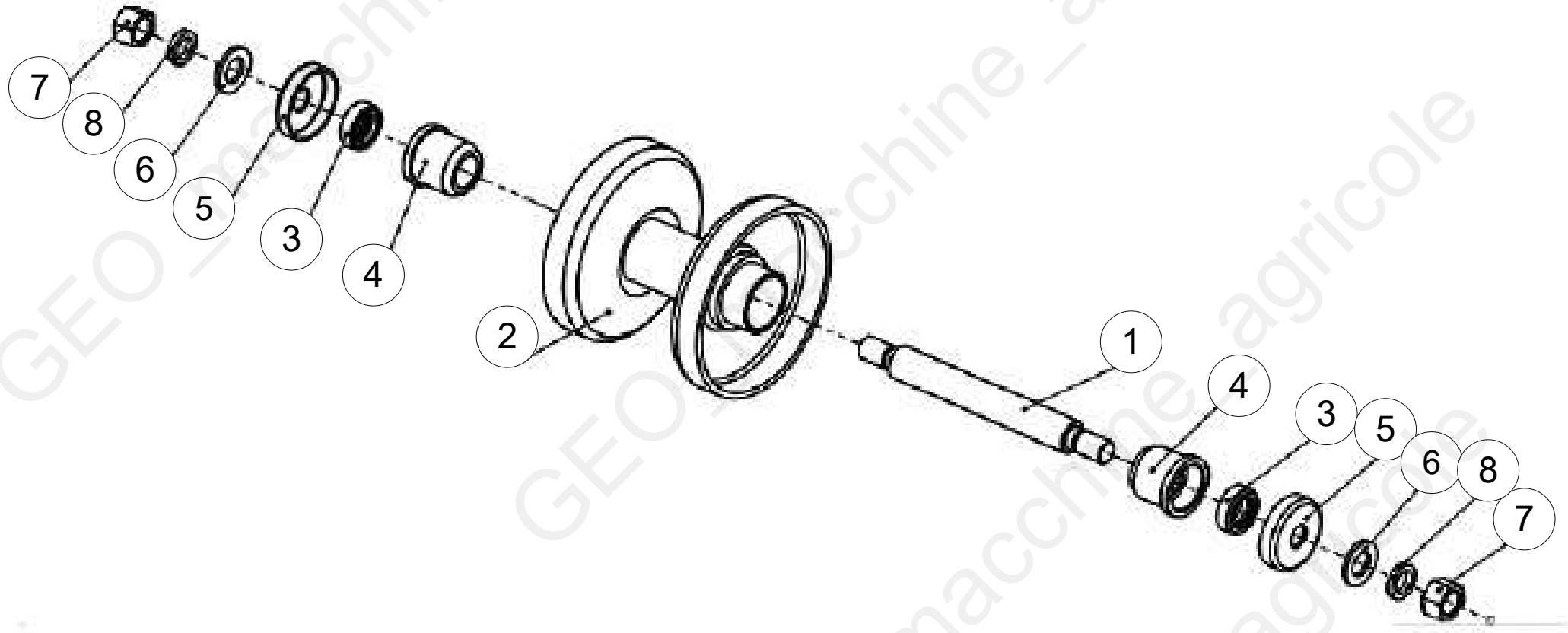


Machine: MD 300

Assembly: MD300_Parte2



Pos	Code	Description	NOTE	Q.
1	MD.02.001	Tensioner Support		1
2	MD.02.002	cover		2
3	MD.02.003	washer		2
4	MD.02.004	nut		2
5	MD.02.005	spring Washer		2
6	MD.02.006	Wheel Tensioner		1
7	MD.02.007	bearing		2
8	MD.02.008	axle		1
9	MD.02.009	seeger		1
10	MD.02.010	bearing		1

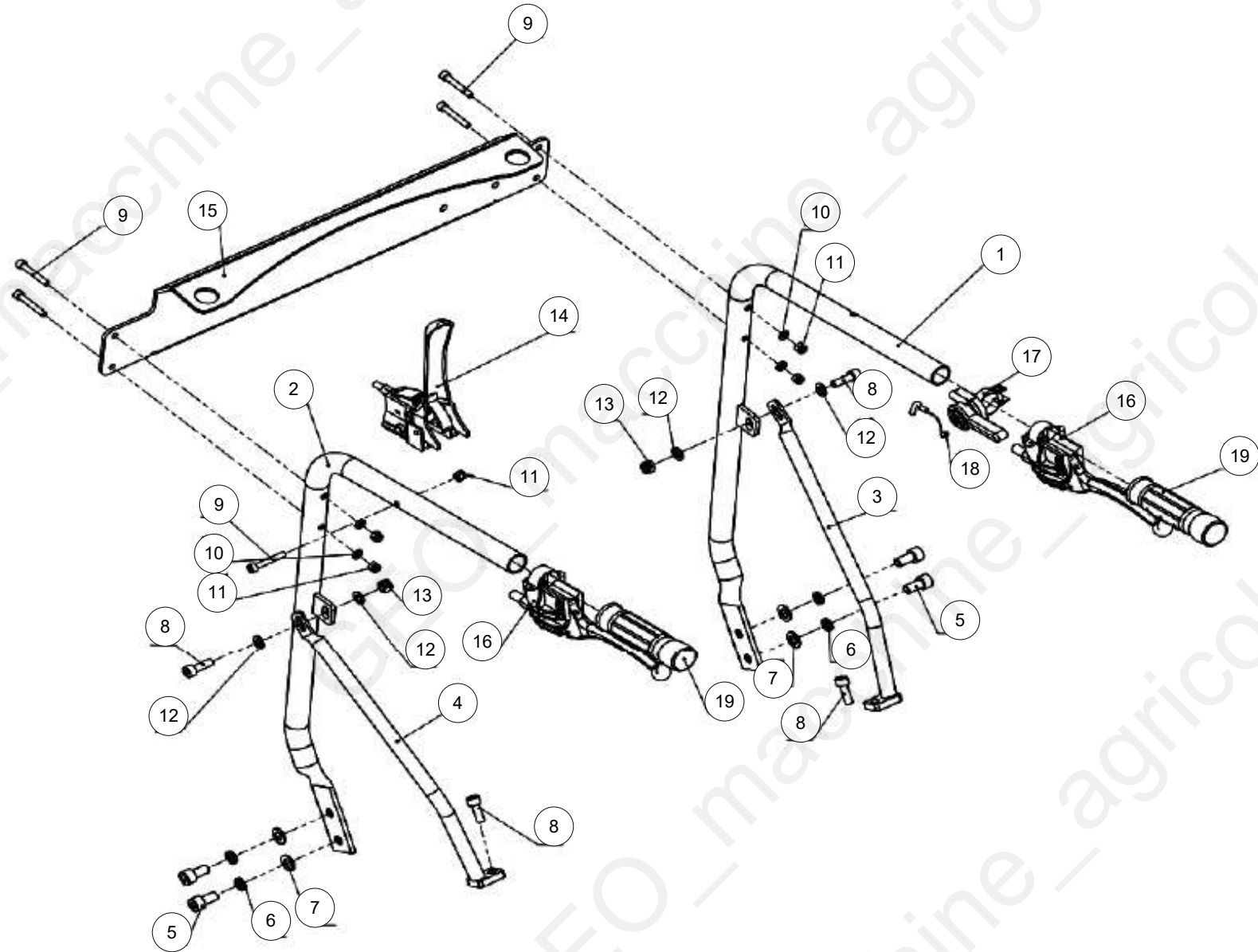


Machine: MD 300

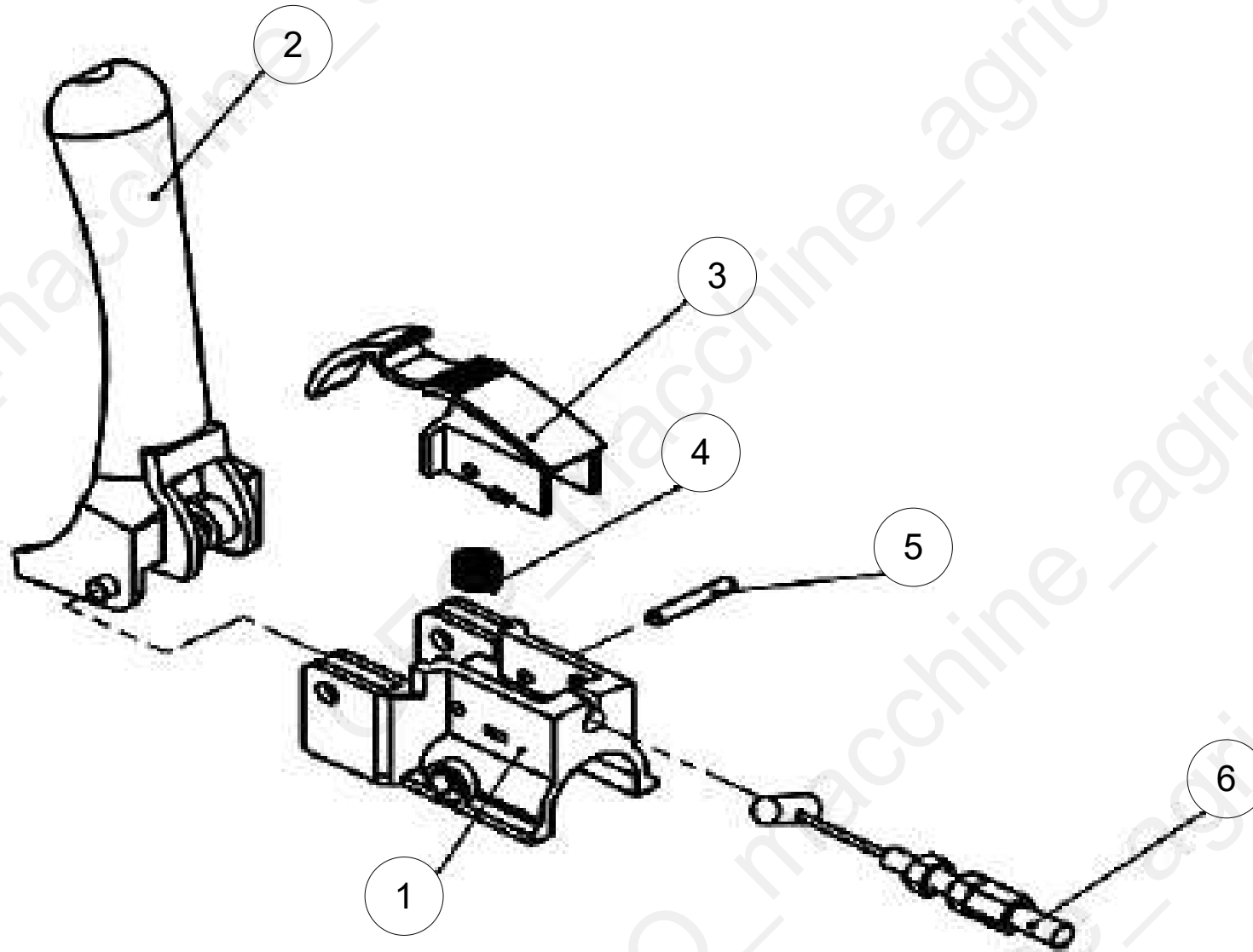
Assembly: MD300_Parte3



Pos	Code	Description	NOTE	Q.
1	MD.03.001	axle		1
2	MD.03.002	Wheel Track		2
3	MD.03.003	bearing		2
4	MD.03.004	spacer		2
5	MD.03.005	cover		2
6	MD.03.006	washer		2
7	MD.03.007	nut		2
8	MD.03.008	spring washer		2



Pos	Code	Description	NOTE	Q.
1	MD.04.001	handle L		1
2	MD.04.002	handle R		1
3	MD.04.003	handle support L		1
4	MD.04.004	handle support R		1
5	MD.04.005	bolt		6
6	MD.04.006	spring washer		6
7	MD.04.007	washer		6
8	MD.04.008	bolt		6
9	MD.04.009	bolt		2
10	MD.04.010	washer		4
11	MD.04.011	nut		4
12	MD.04.012	spring washer		4
13	MD.04.013	nut		1
14	MD.04.014	safety handle		1
15	MD.04.015	plate		1
16	MD.04.016	handle dial		2
17	MD.04.017	throttle		1
18	MD.04.018	cable		1
19	MD.04.019	rubber handle		1

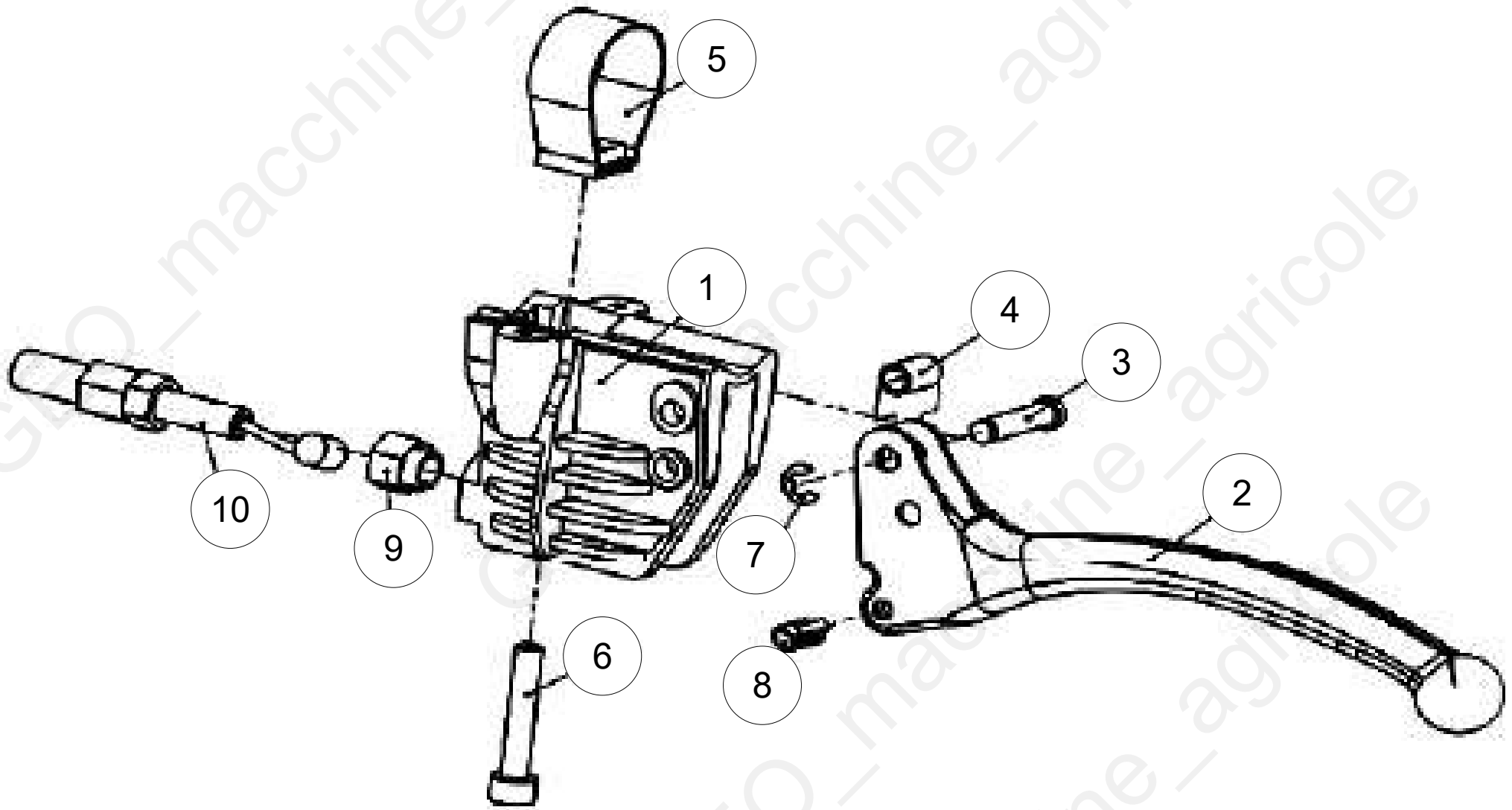


Machine: MD 300

Assembly: MD300_Parte5



Pos	Code	Description	NOTE	Q.
1	MD.05.001	support		1
2	MD.05.002	handle		1
3	MD.05.003	handle block		1
4	MD.05.004	spring		1
5	MD.05.005	pin		1
6	MD.05.006	Cable		1

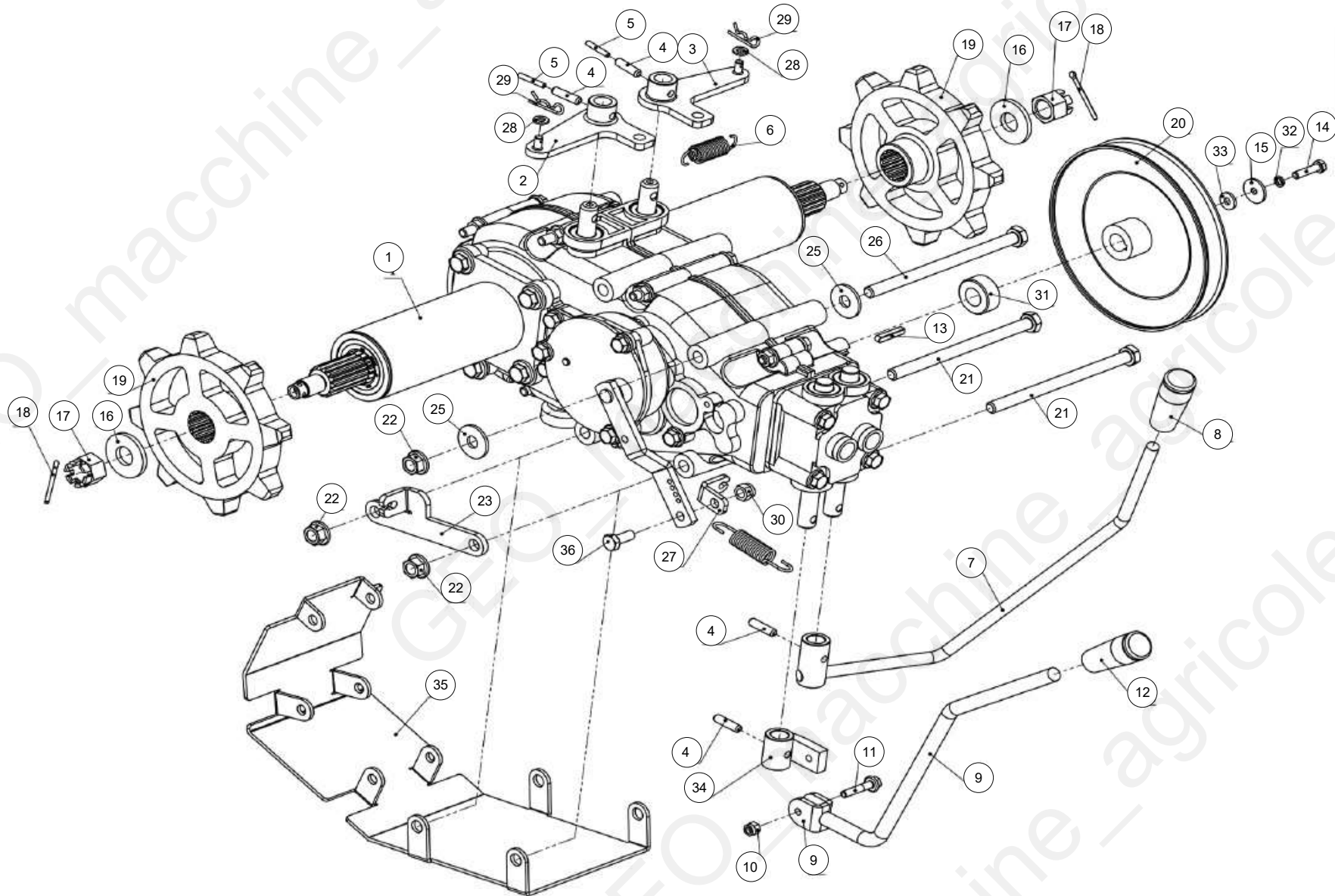


Machine: MD 300

Assembly: MD300_Parte6



Pos	Code	Description	NOTE	Q.
1	MD.06.001	handle frame		1
2	MD.06.002	handle		1
3	MD.06.003	special bolt		1
4	MD.06.004	spacer		1
5	MD.06.005	ring		1
6	MD.06.006	bolt		1
7	MD.06.007	seeger		1
8	MD.06.008	spline		1
9	MD.06.009	nut		1
10	MD.06.010	cable		1



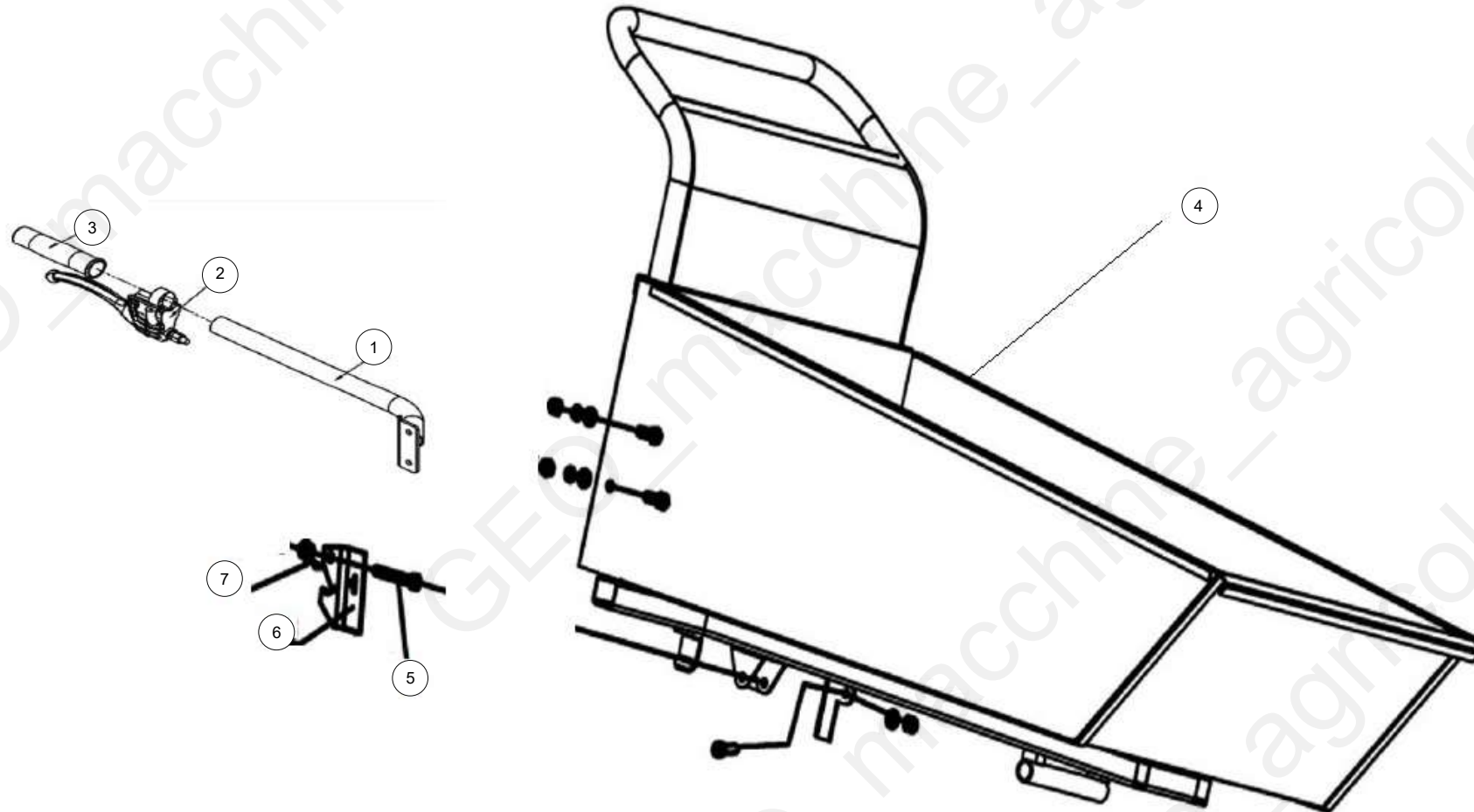
Pos	Code	Description	NOTE	Q.
1	MD.07.001	Transmission Gearbox		1
2	MD.07.002	plate L		1
3	MD.07.003	plate R		1
4	MD.07.004	pin		2
5	MD.07.005	small pin		2
6	MD.07.006	spring		1
7	MD.07.007	Gear Handle		1
8	MD.07.008	Cap		1
9	MD.07.009	switch Handle		1
10	MD.07.010	nut		2
11	MD.07.011	bolt		2
12	MD.07.012	cap		1
13	MD.07.013	key		1
14	MD.07.014	bolt		2
15	MD.07.015	washer		2
16	MD.07.016	washer		4
17	MD.07.017	nut		2
18	MD.07.018	pin		2
19	MD.07.019	Big Gear		2
20	MD.07.020	pulley		1
21	MD.07.021	bolt		1
22	MD.07.022	nut		4
23	MD.07.023	plate		1
25	MD.07.025	washer		2
26	MD.07.026	bolt		1

Machine: MD 300

Assembly: MD300_Parte7



Pos	Code	Description	NOTE	Q.
27	MD.07.027	plate		1
28	MD.07.028	washer		2
29	MD.07.029	R pin		2
30	MD.07.030	nut		2
31	MD.07.031	spacer		2
32	MD.07.032	spring washer		2
33	MD.07.033	washer		4
34	MD.07.034	support		1
35	MD.07.035	cover		1
36	MD.07.036	bolt		2

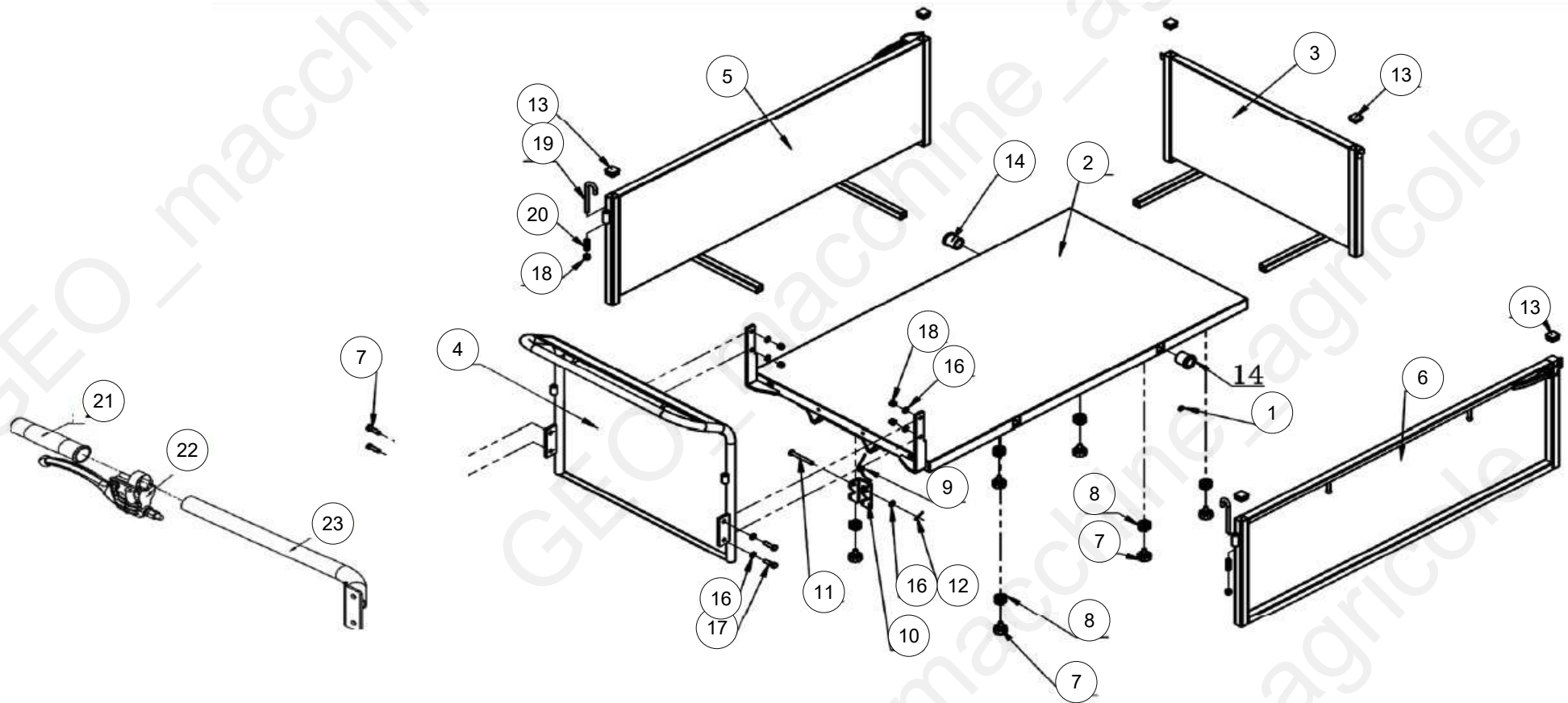


Machine: MD 300

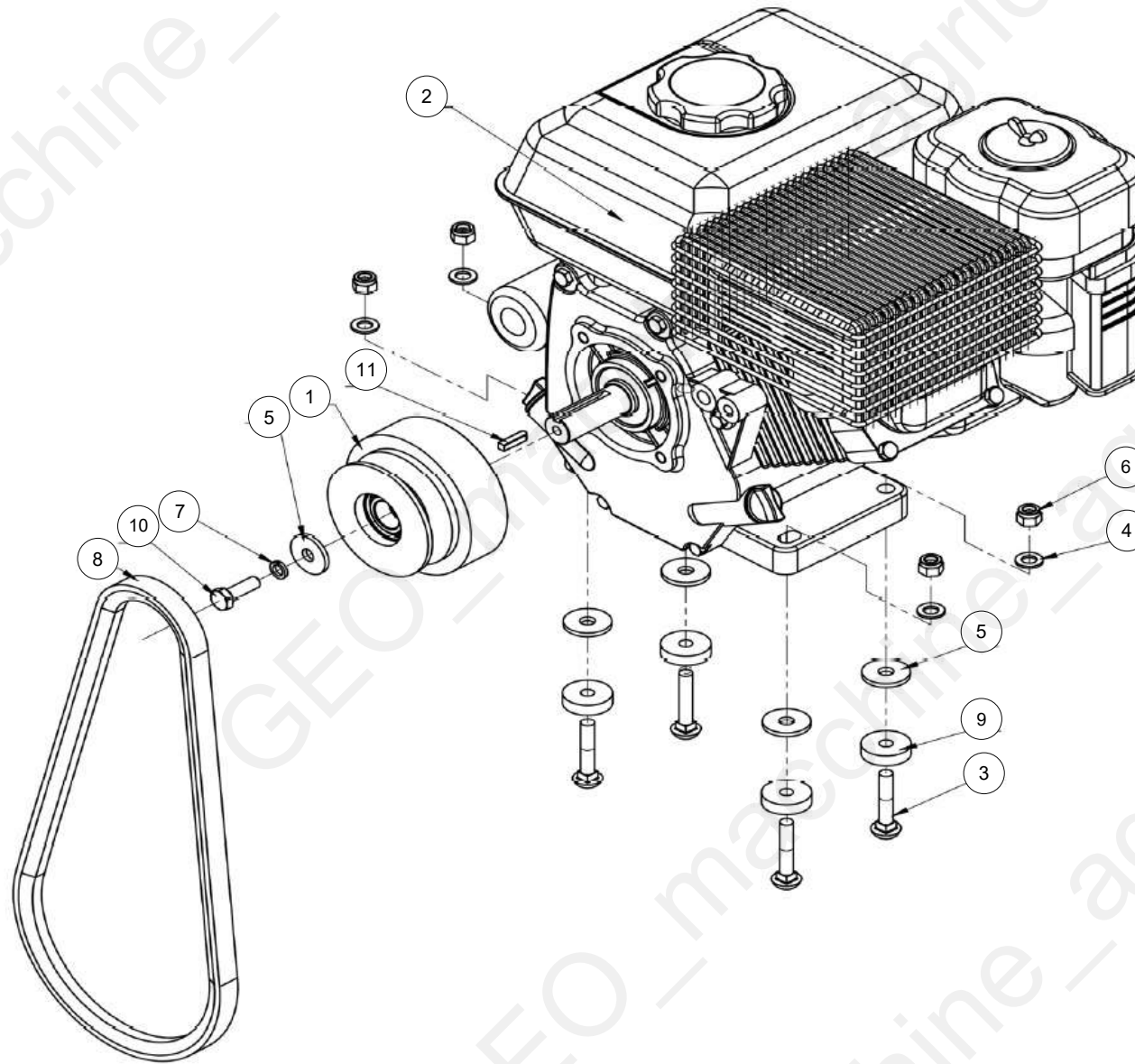
Assembly: MD300_Parte8_Dumper



Pos	Code	Description	NOTE	Q.
1	MD.07.001	Transmission Gearbox		1
2	MD.07.002	plate L		1
3	MD.07.003	plate R		1
4	MD.07.004	pin		1
5	MD.07.005	small pin		2
6	MD.07.006	spring		1
7	MD.07.007	Gear Handle		2



Pos	Code	Description	NOTE	Q.
1	MD.008.001G	nut		1
2	MD.008.002G	base plate		1
3	MD.008.003G	front plate		1
4	MD.008.004G	back plate		1
5	MD.008.005G	left plate		1
6	MD.008.006G	right plate		1
7	MD.008.007G	bolt		2
8	MD.008.008G	washer		2
9	MD.008.009G	spring		1
10	MD.008.010G	plate		1
11	MD.008.011G	bolt		1
12	MD.008.012G	pin		2
13	MD.008.013G	rubber cap		4
14	MD.008.014G	spacer		2
16	MD.008.016G	washer		2
17	MD.008.017G	bolt		2
18	MD.008.018G	nut		2
19	MD.008.019G	hook		2
20	MD.008.020G	washer		2
21	MD.07.001	Transmission Gearbox		1
22	MD.07.002	plate L		1
23	MD.07.003	plate R		1



Machine: MD 300

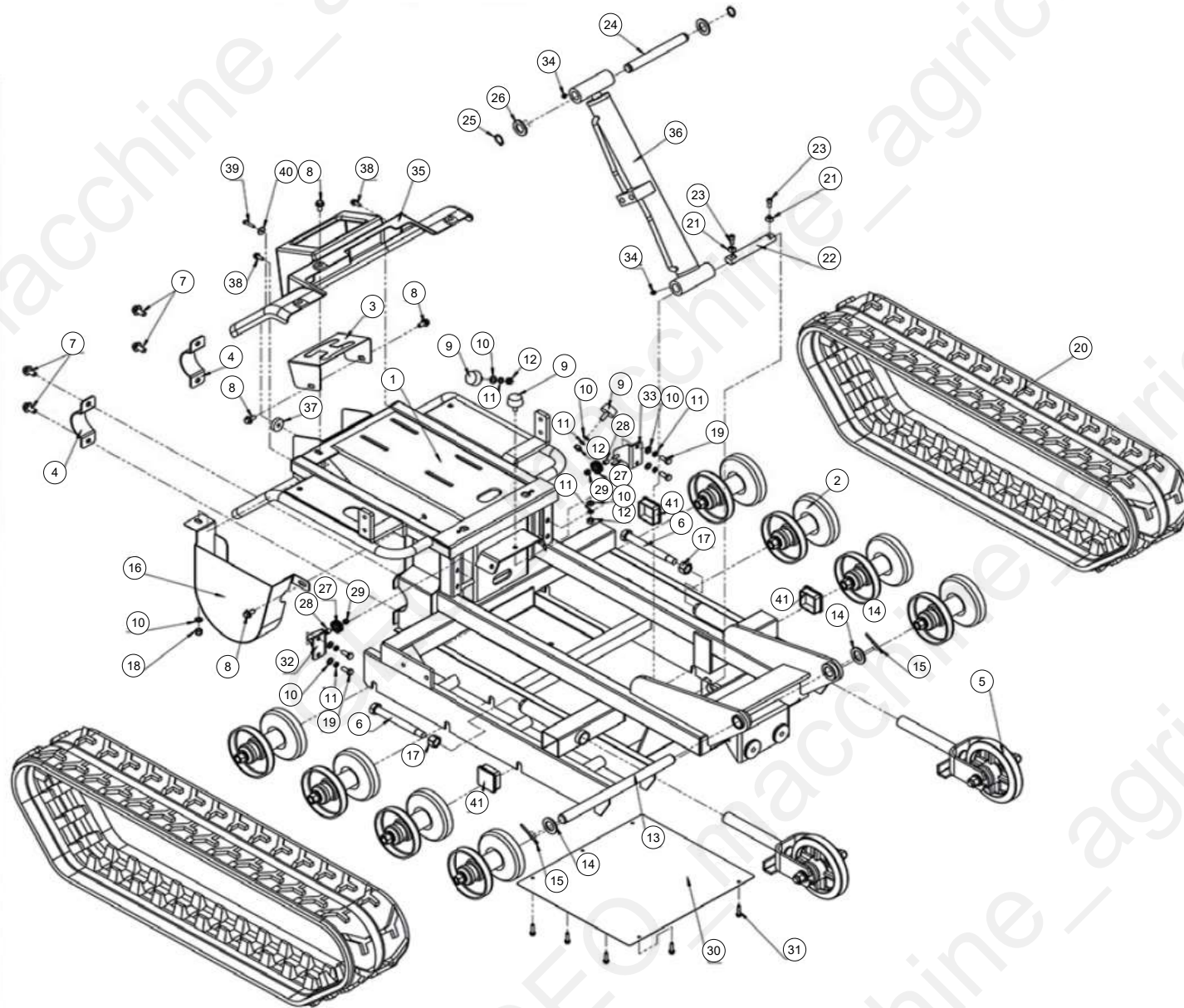
Assembly: MD300_Parte9



Pos	Code	Description	NOTE	Q.
1	MD300.09.001	centrifugal pulley		1
2	MD300.09.002	Engne JF200		1
3	MD300.09.003	bolt		4
4	MD300.09.004	washer		6
5	MD300.09.005	washer		1
6	MD300.09.006	nut		6
7	MD300.09.007	spring washer		1
8	MD300.09.008	belt		1
9	MD300.09.009	spacer		4
10	MD300.09.010	engine bolt		1
11	MD300.09.011	key		1

MD 500





Pos	Code	Description	NOTE	Q.
1	MD.01.014	Main Frame		1
2	MD.01.007	wheel Track		8
3	MD.01.002	Gear Support		1
4	MD.01.017	Support		1
5	MD.01.003	track Tensioner Assembly		2
6	MD.01.035	Bolt PIN		2
7	MD.01.001	bolt		8
8	MD.01.006	Screw		6
9	MD.01.012	Rubber Cap		6
10	MD.01.004	washer		1
11	MD.01.011	spring washer		6
12	MD.01.019	nut		2
13	MD.01.033	axle		2
14	MD.01.021	washer		4
15	MD.01.022	pin		4
16	MD.01.024	Belt Cover Lower		1
17	MD.01.020	nut		2
18	MD.01.005	nut		1
19	MD.01.010	bolt		8
20	MD.01.025	rubber track		2
21	MD500.01.021	washer		2
22	MD500.01.022	plate		1
23	MD500.01.023	bolt		2
24	MD500.01.024	pin axle		1
25	MD500.01.025	seeger		2

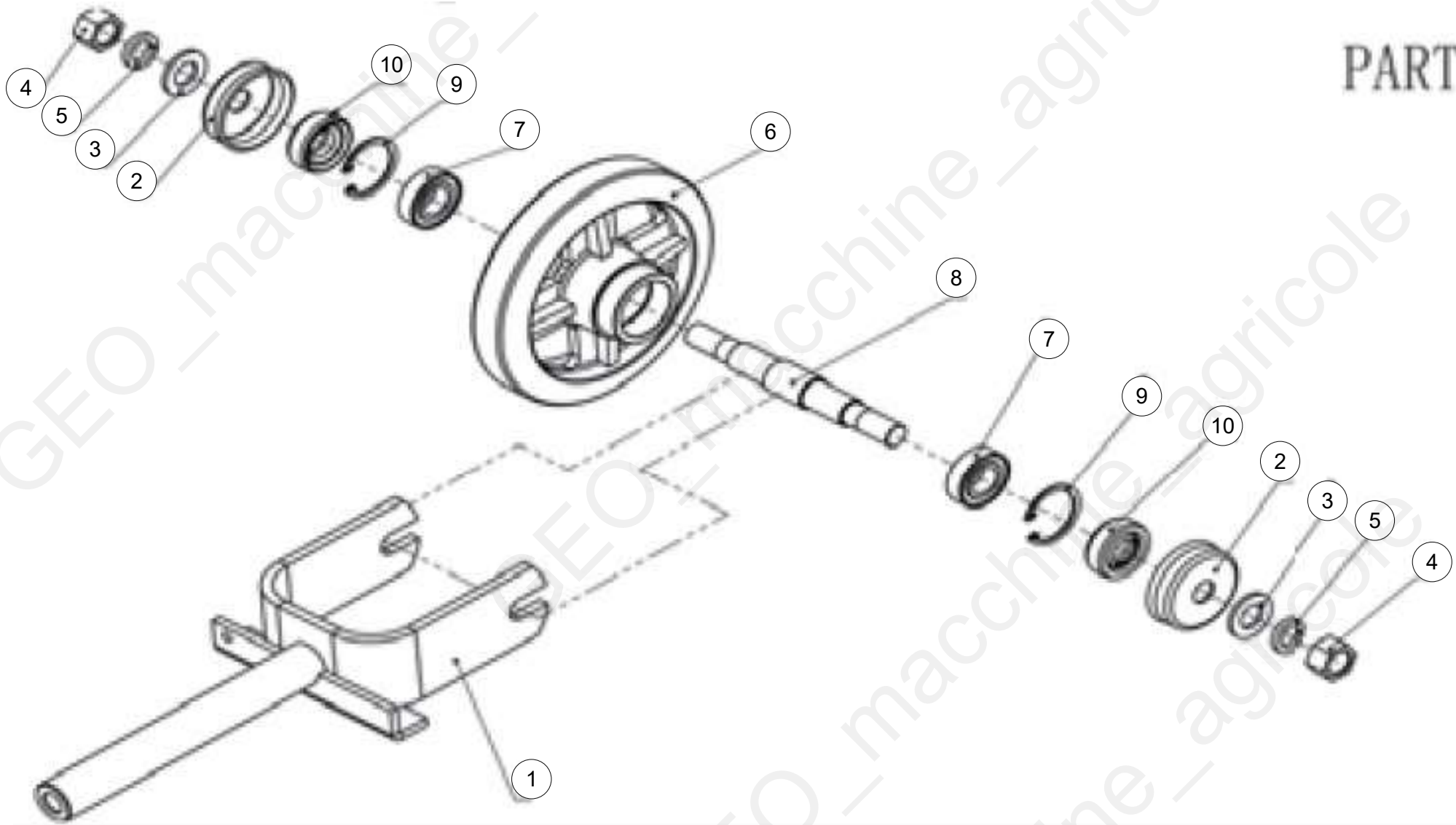
Machine: MD 500

Assembly: MD500_Parte1



Pos	Code	Description	NOTE	Q.
26	MD500.01.026	washer		4
27	MD.01.023	Spacer		2
28	MD.01.034	spacer		2
29	MD.01.015	washer		8
30	MD500.01.030	cover		1
31	MD500.01.031	bolt		6
32	MD.01.026	plate R		1
33	MD.01.027	plate L		1
34	MD500.01.034	Grease Nipple		1
35	MD.01.036	Transmission Cover		1
36	MD500.01.036	Cylinder MD500		1
37	MD.01.037	Spacer		4
38	MD.01.038	screw bolt		4
39	MD.01.040	bolt		4
40	MD.01.039	washer		4
41	MD500.01.041	Rubber Cap		4

PART 2



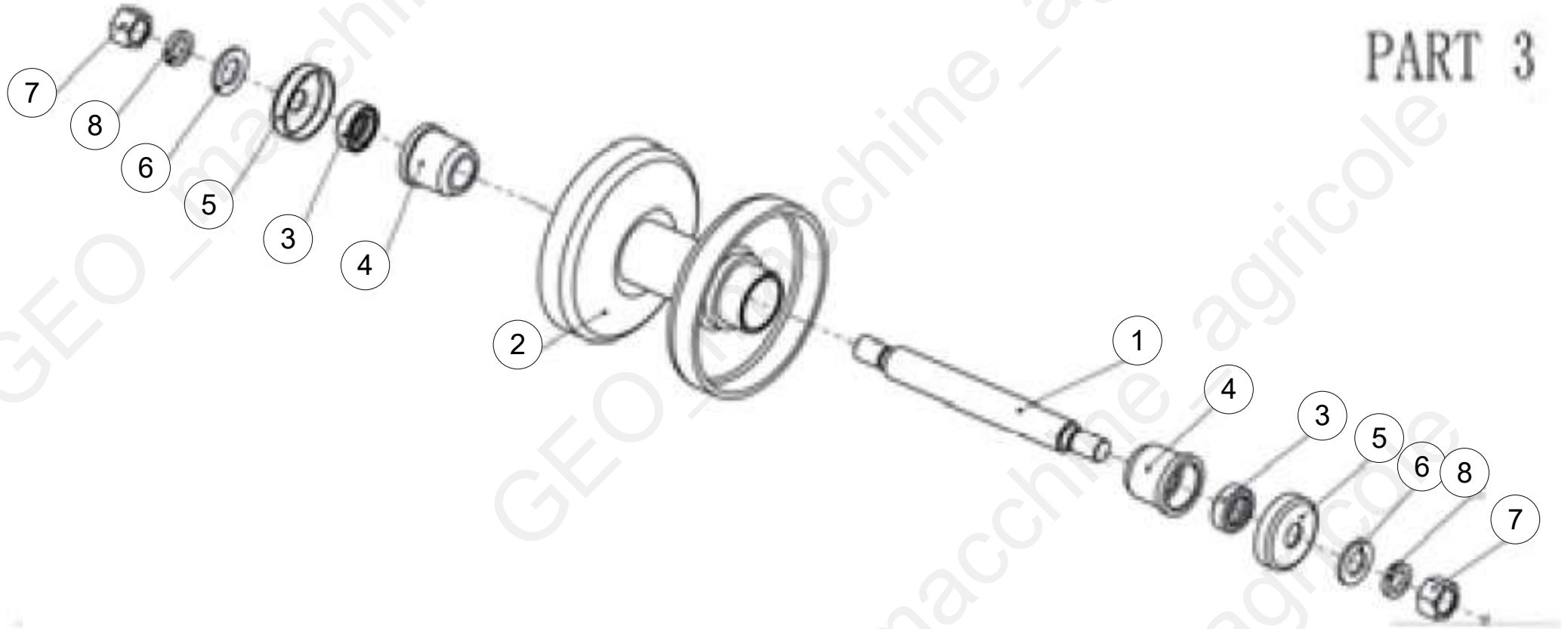
Machine: MD 500

Assembly: MD500_Parte2



Pos	Code	Description	NOTE	Q.
1	MD.02.001	Tensioner Support		1
2	MD.02.002	cover		2
3	MD.02.003	washer		2
4	MD.02.004	nut		2
5	MD.02.005	spring Washer		2
6	MD.02.006	Wheel Tensioner		1
7	MD.02.007	bearing		2
8	MD.02.008	axle		1
9	MD.02.009	seeger		1
10	MD.02.010	bearing		1

PART 3

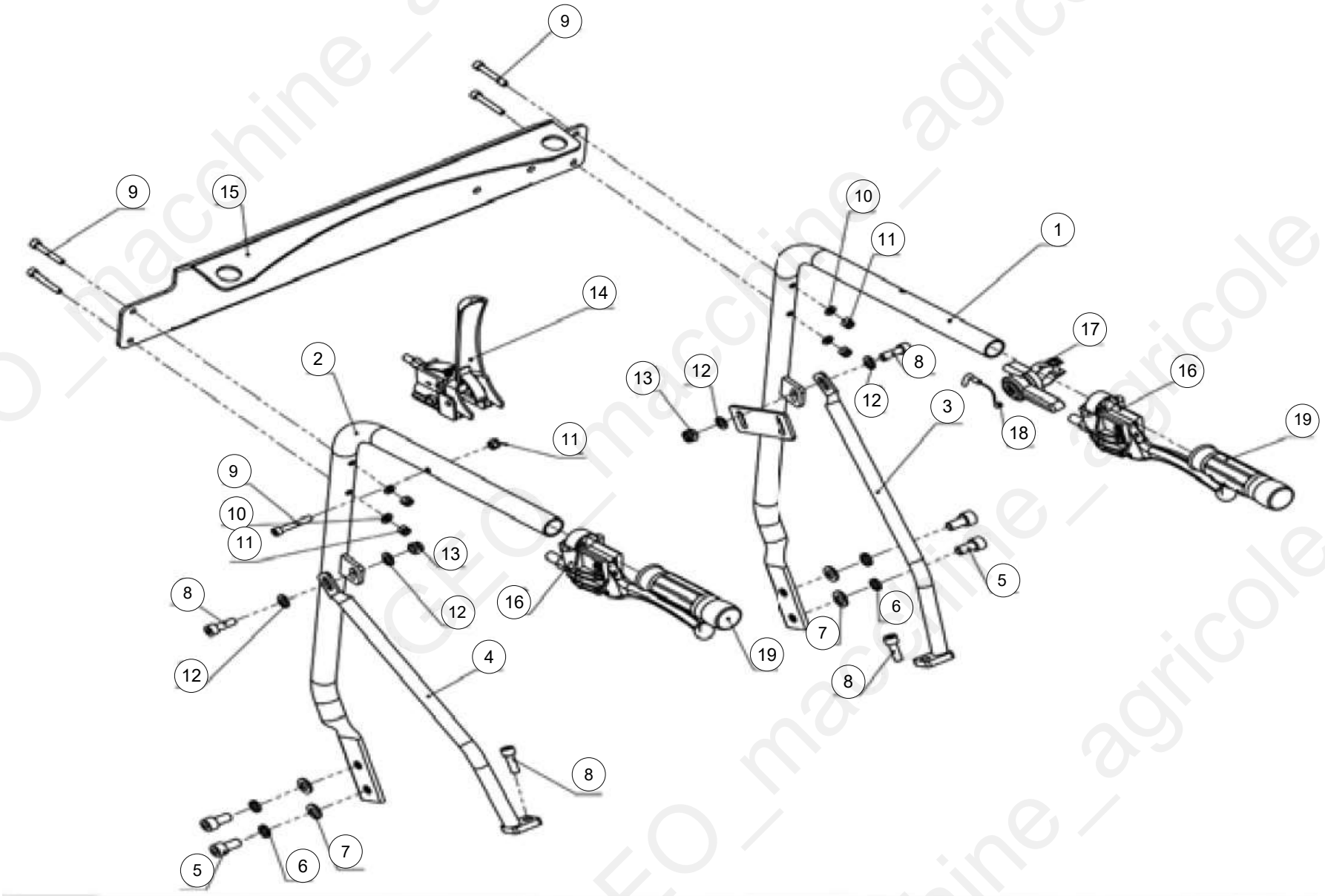


Machine: MD 500

Assembly: MD500_Parte3



Pos	Code	Description	NOTE	Q.
1	MD.03.001	axle		1
2	MD.03.002	Wheel Track		2
3	MD.03.003	bearing		2
4	MD.03.004	spacer		2
5	MD.03.005	cover		2
6	MD.03.006	washer		2
7	MD.03.007	nut		2
8	MD.03.008	spring washer		2

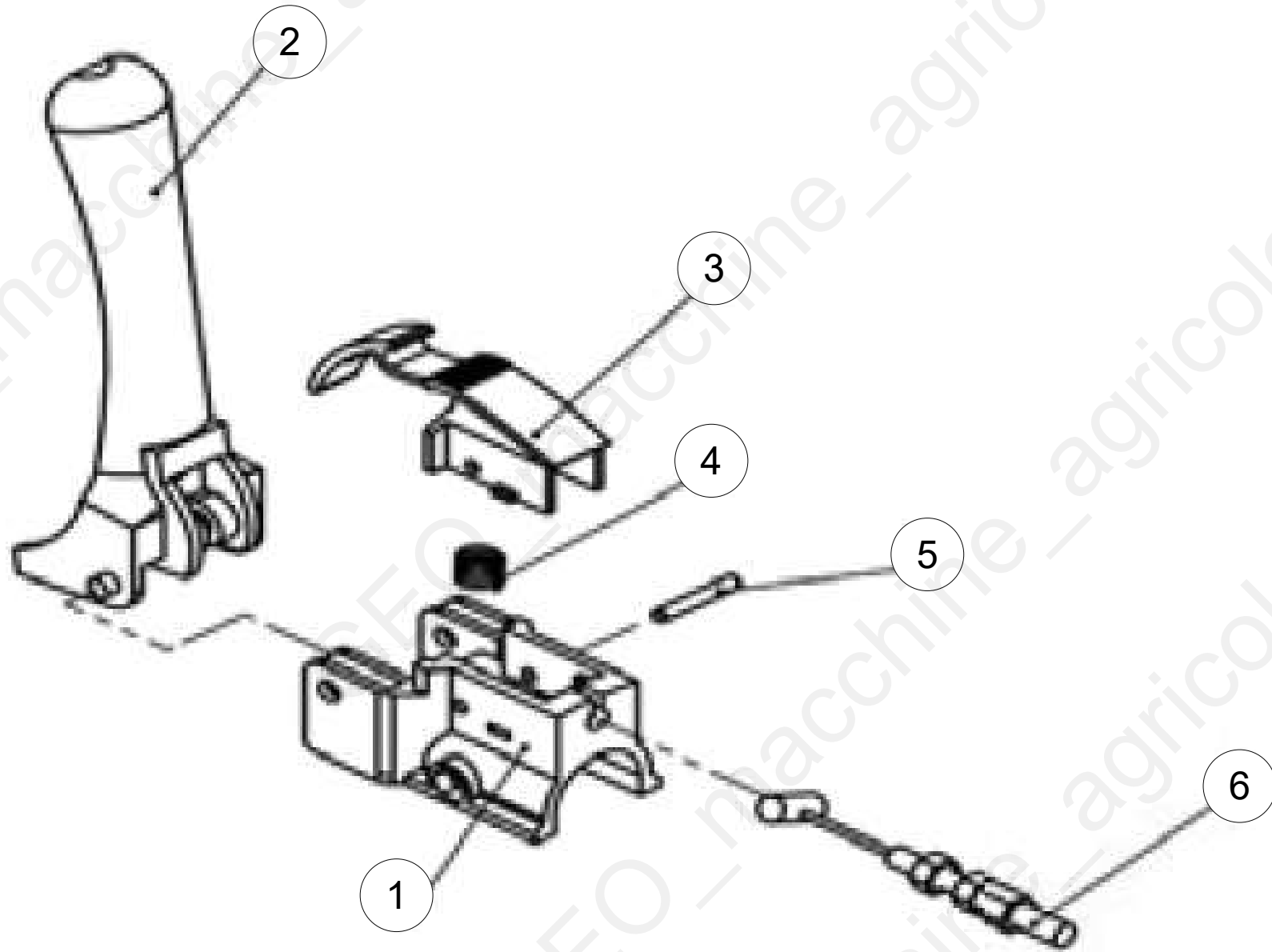


Machine: MD 500

Assembly: MD500_Parte4



Pos	Code	Description	NOTE	Q.
1	MD.04.001	handle L		1
2	MD.04.002	handle R		1
3	MD.04.003	handle support L		1
4	MD.04.004	handle support R		1
5	MD.04.005	bolt		6
6	MD.04.006	spring washer		6
7	MD.04.007	washer		6
8	MD.04.008	bolt		6
9	MD.04.009	bolt		2
10	MD.04.010	washer		4
11	MD.04.011	nut		4
12	MD.04.012	spring washer		4
13	MD.04.013	nut		1
14	MD.04.014	safety handle		1
15	MD.04.015	plate		1
16	MD.04.016	handle dial		2
17	MD.04.017	throttle		1
18	MD.04.018	cable		1
19	MD.04.019	rubber handle		1

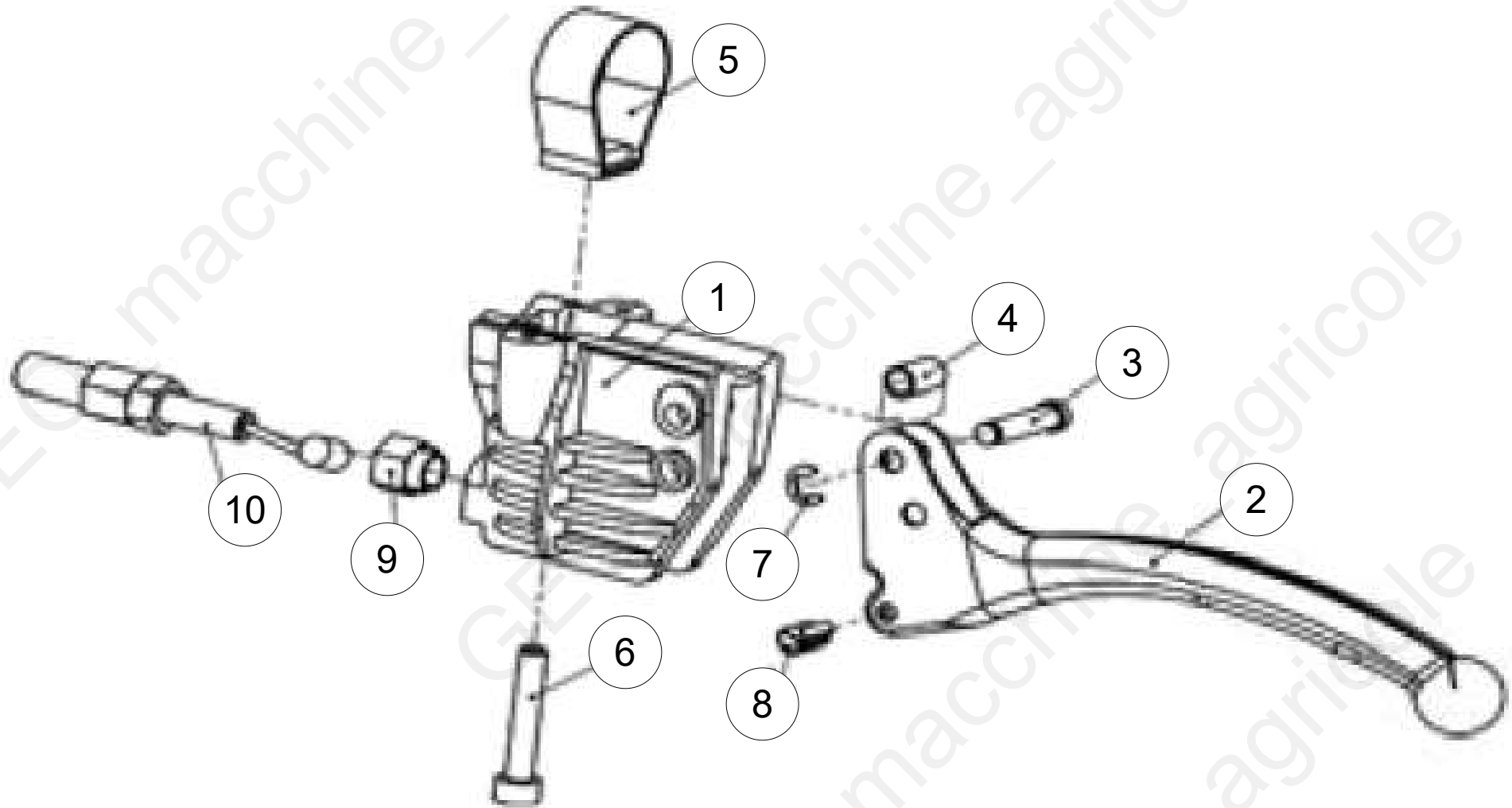


Machine: MD 500

Assembly: MD500_Parte5



Pos	Code	Description	NOTE	Q.
1	MD.05.001	support		1
2	MD.05.002	handle		1
3	MD.05.003	handle block		1
4	MD.05.004	spring		1
5	MD.05.005	pin		1
6	MD.05.006	Cable		1

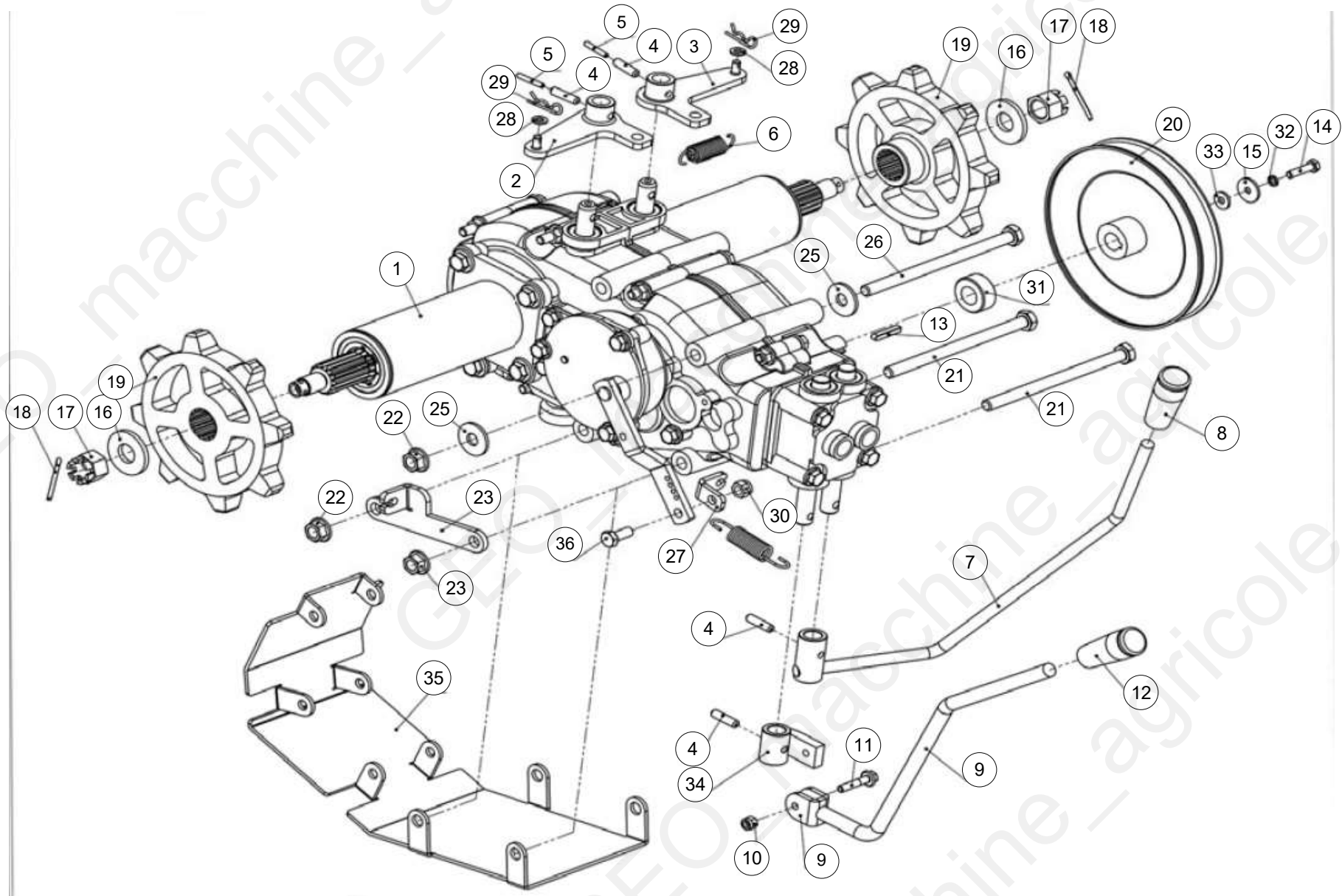


Machine: MD 500

Assembly: MD500_Parte6



Pos	Code	Description	NOTE	Q.
1	MD.06.001	handle frame		1
2	MD.06.002	handle		1
3	MD.06.003	special bolt		1
4	MD.06.004	spacer		1
5	MD.06.005	ring		1
6	MD.06.006	bolt		1
7	MD.06.007	seeger		1
8	MD.06.008	spline		1
9	MD.06.009	nut		1
10	MD.06.010	cable		1



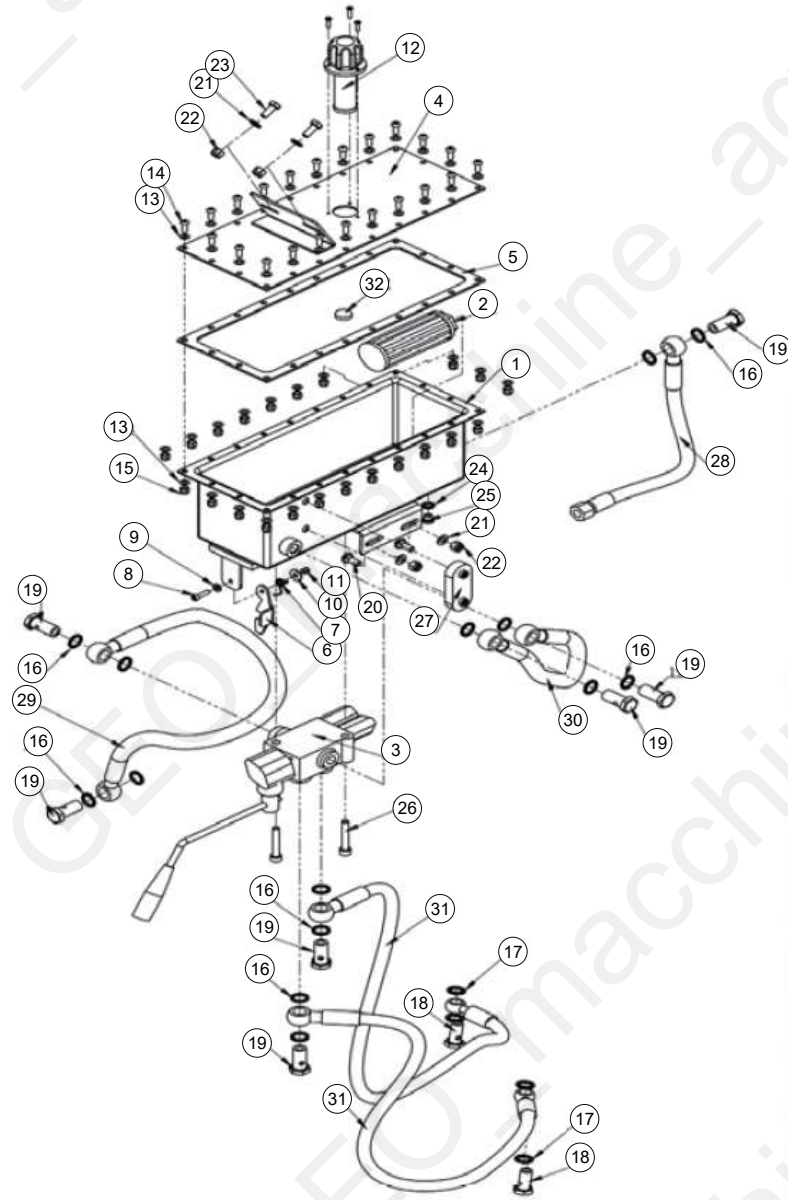
Pos	Code	Description	NOTE	Q.
1	MD.07.001	Transmission Gearbox		1
2	MD.07.002	plate L		1
3	MD.07.003	plate R		1
4	MD.07.004	pin		2
5	MD.07.005	small pin		2
6	MD.07.006	spring		1
7	MD.07.007	Gear Handle		1
8	MD.07.008	Cap		1
9	MD.07.009	switch Handle		1
10	MD.07.010	nut		2
11	MD.07.011	bolt		2
12	MD.07.012	cap		1
13	MD.07.013	key		1
14	MD.07.014	bolt		2
15	MD.07.015	washer		2
16	MD.07.016	washer		4
17	MD.07.017	nut		2
18	MD.07.018	pin		2
19	MD.07.019	Big Gear		2
20	MD.07.020	pulley		1
21	MD.07.021	bolt		1
22	MD.07.022	nut		4
23	MD.07.023	plate		1
25	MD.07.025	washer		2
26	MD.07.026	bolt		1

Machine: MD 500

Assembly: MD500_Parte7



Pos	Code	Description	NOTE	Q.
27	MD.07.027	plate		1
28	MD.07.028	washer		2
29	MD.07.029	R pin		2
30	MD.07.030	nut		2
31	MD.07.031	spacer		2
32	MD.07.032	spring washer		2
33	MD.07.033	washer		4
34	MD.07.034	support		1
35	MD.07.035	cover		1
36	MD.07.036	bolt		2



Machine: MD 500

Assembly: MD500_Parte8



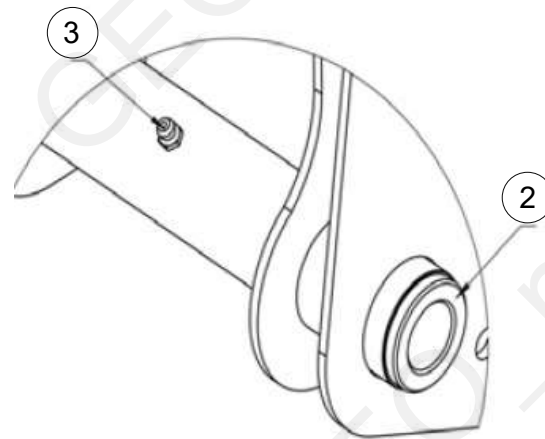
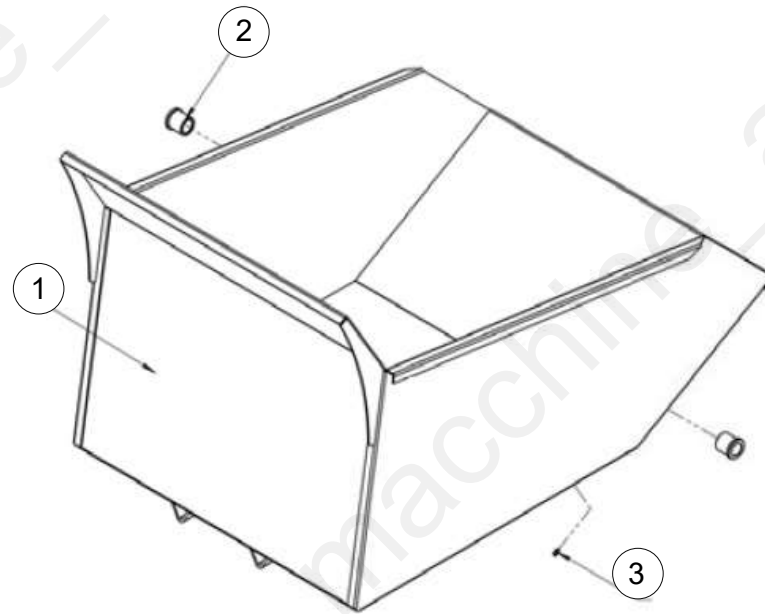
Pos	Code	Description	NOTE	Q.
1	MD500.08.001	oil tank		1
2	MD500.08.002	filter		1
3	MD500.08.003	distributor		1
4	MD500.08.004	plate tank		1
5	MD500.08.005	seal oil		1
6	MD500.08.006	plate		1
7	MD500.08.007	spring		1
8	MD500.08.008	bolt		1
9	MD500.08.009	washer		1
10	MD500.08.010	washer		2
11	MD500.08.011	nut		1
12	MD500.08.012	oil cap		1
13	MD500.08.013	washer		28
14	MD500.08.014	bolt		28
15	MD500.08.015	nut		28
16	MD500.08.016	washer hydr		4
17	MD500.08.017	washer hydr		4
18	MD500.08.018	bolt hydr		4
19	MD500.08.019	bolt hydr		4
20	MD500.08.020	bolt		2
21	MD500.08.021	washer		2
22	MD500.08.022	nut		2
23	MD500.08.023	bolt		2
24	MD500.08.024	washer		1
25	MD500.08.025	cap		1

Machine: MD 500

Assembly: MD500_Parte8



Pos	Code	Description	NOTE	Q.
26	MD500.08.026	bolt		4
27	MD500.08.027	plate		1
28	MD500.08.028	oil pipe 4		1
29	MD500.08.029	oil pipe 3		1
30	MD500.08.030	oil pipe 2		1
31	MD500.08.031	oil pipe 1		2
32	MD500.08.032	cap		1

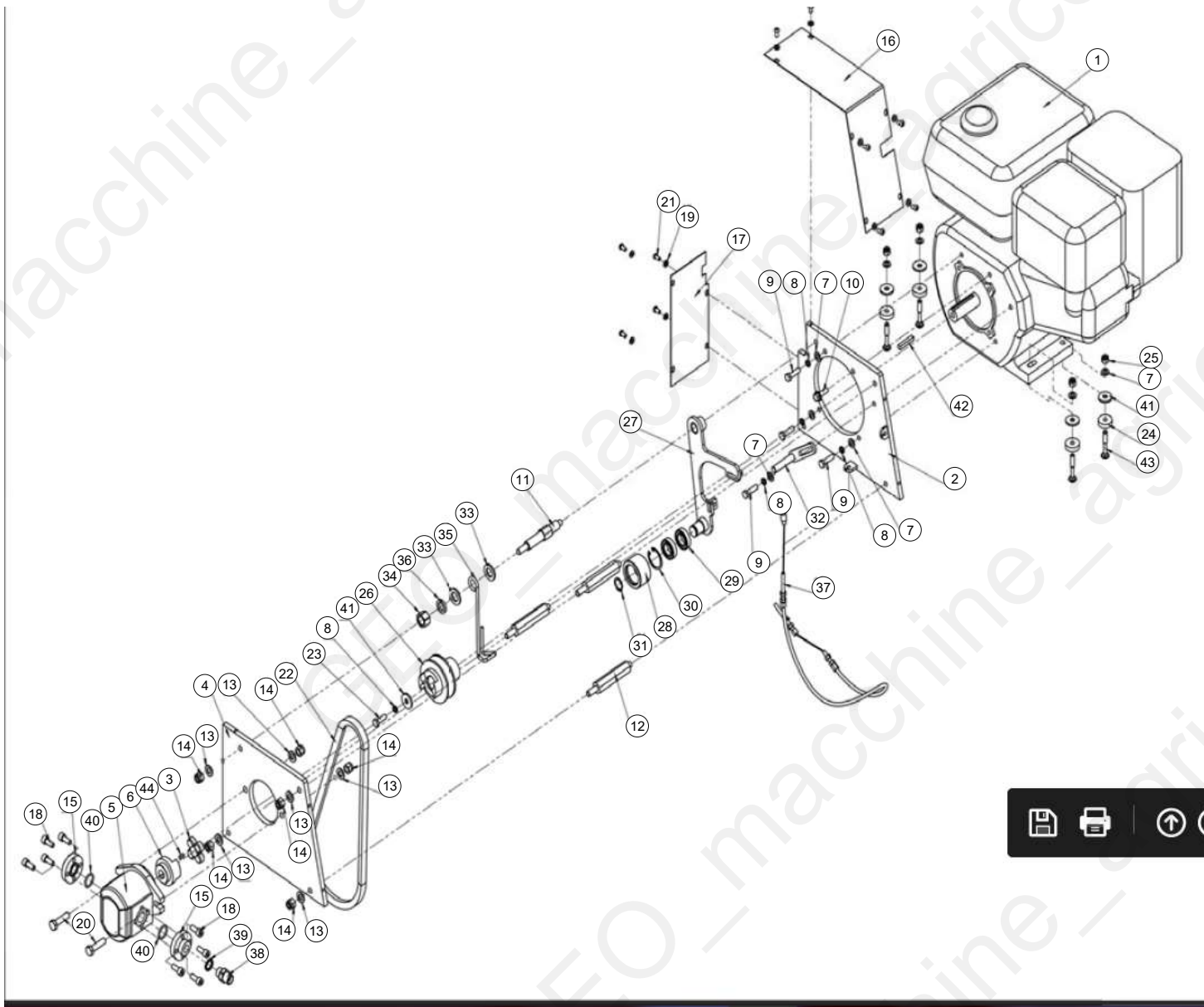


Machine: MD 500

Assembly: MD500_Parte9



Pos	Code	Description	NOTE	Q.
1	MD500.09.001	Dumper		1
2	MD500.09.002	bushes		2
3	MD500.09.003	grease nipple		2

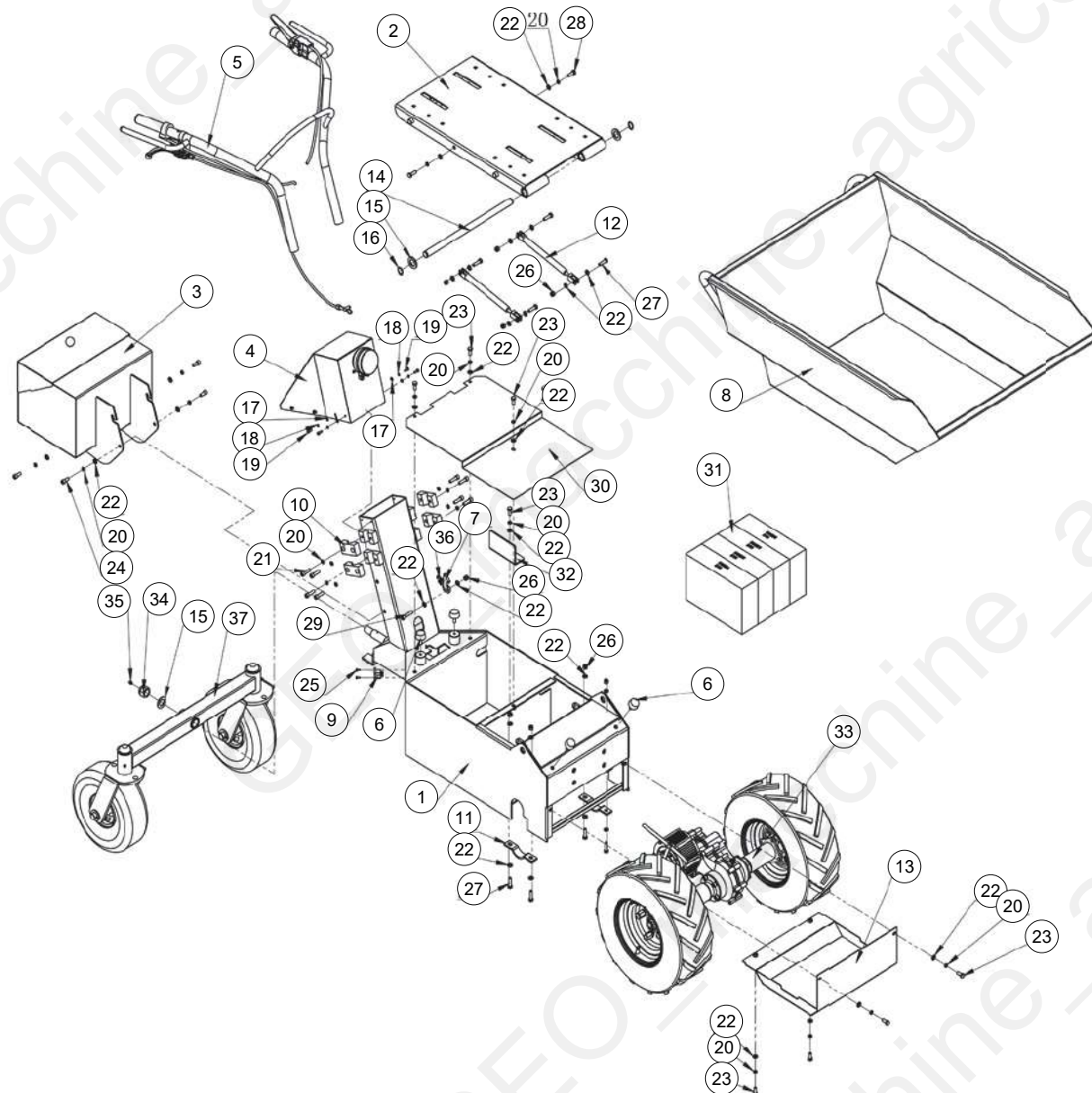


Pos	Code	Description	NOTE	Q.
1	MD500.10.001	Engine JF270		1
2	MD500.10.002	engine plate		1
3	MD500.10.003	rubber connection		1
4	MD500.10.004	plate		1
5	MD500.10.005	Pump		1
6	MD500.10.006	pump connection 2		1
7	MD500.10.007	spring washer		4
8	MD500.10.008	washer		4
9	MD500.10.009	bolt		4
10	MD500.10.010	bolt		6
11	MD500.10.011	long spacer		1
12	MD500.10.012	spacer		4
13	MD500.10.013	washer		1
14	MD500.10.014	nut		1
15	MD500.10.015	pump connector		2
16	MD500.10.016	cover		1
17	MD500.10.017	side cover		1
18	MD500.10.018	bolt		8
19	MD500.10.019	washer		4
20	MD500.10.020	bolt		4
21	MD500.10.021	bolt		4
22	MD500.10.022	belt		1
23	MD500.10.023	engine bolt		1
24	MD500.10.024	spacer		4
25	MD500.10.025	nut		4

Pos	Code	Description	NOTE	Q.
26	MD500.10.026	pump connection 1		1
27	MD500.10.027	plate tensioner		1
28	MD500.10.028	pulley tensioner		1
29	MD500.10.029	bearing		2
30	MD500.10.030	seeger		1
31	MD500.10.031	seeger		1
32	MD500.10.032	support		1
33	MD500.10.033	washer		1
34	MD500.10.034	spacer		1
35	MD500.10.035	spring		1
36	MD500.10.036	washer		1
37	MD500.10.037	cable		1
38	MD500.10.038	connector		1
39	MD500.10.039	oil seal		1
40	MD500.10.040	oil seal		1
41	MD500.10.041	washer		4
42	MD500.10.042	key		1
42	MD500.10.042	key		4
43	MD500.10.043	bolt		4
44	MD500.10.044	grease nipple		1

MD 500 ECO





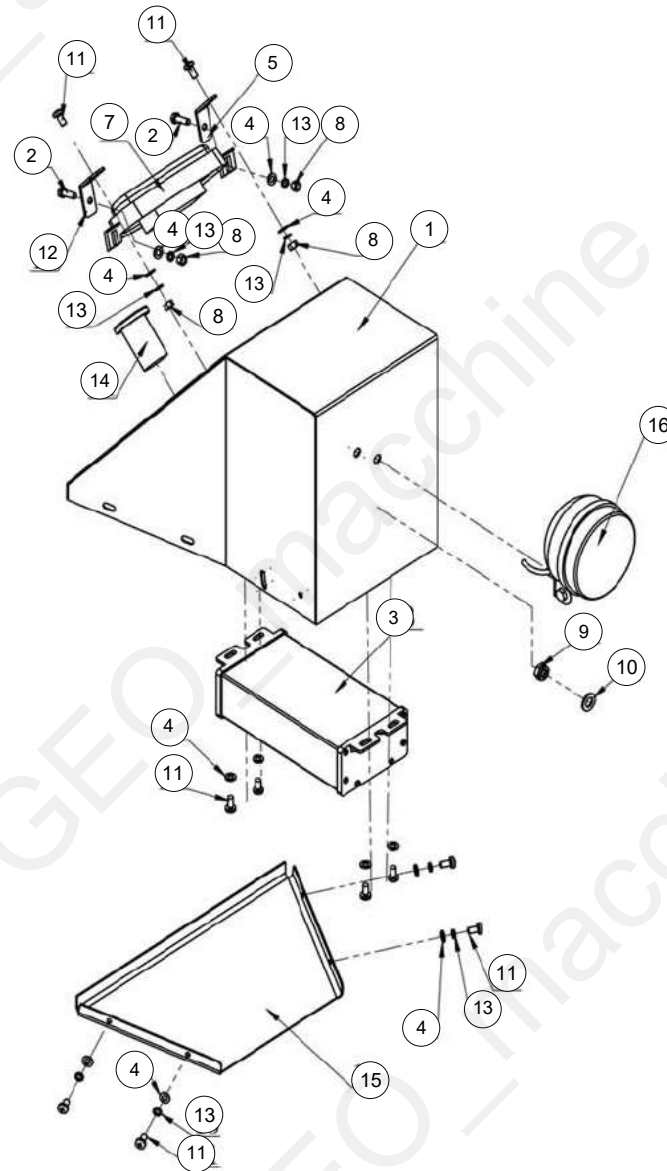
Pos	Code	Description	NOTE	Q.
1	MD500.ECO.001	main frame		1
2	MD500.ECO.002	Dumper Support		1
3	MD500.ECO.003	tool Box		1
4	MD500.ECO.004	Light Assembly		1
5	MD500.ECO.005	Handle Assembly		1
6	MD500.ECO.006	Rubber Cap		4
7	MD500.ECO.007	Dumper Hook		1
8	MD500.ECO.008	Dumper MD500 ECO		1
9	MD500.ECO.009	Charge connection		1
10	MD500.ECO.010	Handle Support		4
11	MD500.ECO.011	Support		2
12	MD500.ECO.012	Gas Spring		2
13	MD500.ECO.013	Cover		1
14	MD500.ECO.014	Axle		1
15	MD500.ECO.015	washer		1
16	MD500.ECO.016	Seeger		2
17	MD500.ECO.017	washer		8
18	MD500.ECO.018	Spring washer		8
19	MD500.ECO.019	bolt		8
20	MD500.ECO.020	Spring washer		12
21	MD500.ECO.021	bolt		4
22	MD500.ECO.022	washer		12
23	MD500.ECO.023	Bolt		12
24	MD500.ECO.024	Bolt		4
25	MD500.ECO.025	Bolt		8

Machine: MD 500 ECO

Assembly: MD500_ECO_Parte1



Pos	Code	Description	NOTE	Q.
26	MD500.ECO.026	Nut		8
27	MD500.ECO.027	Bolt		12
28	MD500.ECO.028	bolt		2
29	MD500.ECO.029	bolt		1
30	MD500.ECO.030	Battery Cover		1
31	MD500.ECO.031	Battery Assembly		1
32	MD500.ECO.032	Support L		1
33	MD500.ECO.033	Wheel Assembly		1
34	MD500.ECO.034	nut		1
35	MD500.ECO.035	Grease nipple		6
36	MD500.ECO.036	Spring		1
37	MD500.ECO.037	Back Wheel Asembly		1

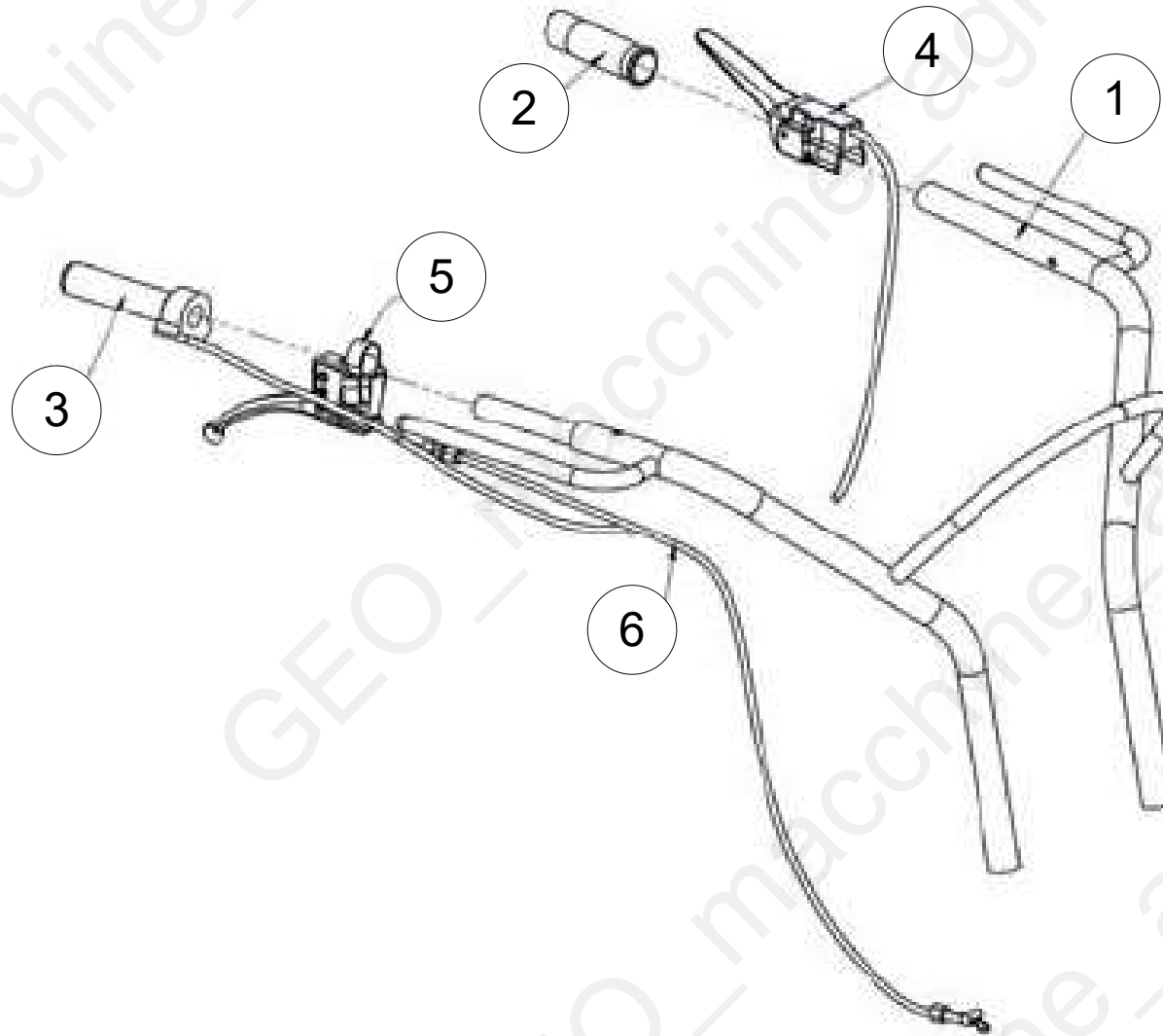


Machine: MD 500 ECO

Assembly: MD500_ECO_Parte2



Pos	Code	Description	NOTE	Q.
1	MD500.ECO.02.001	Light Frame Weldment		1
2	MD500.ECO.02.002	Bolt		2
3	MD500.ECO.02.003	control Box		1
4	MD500.ECO.02.004	Washer		4
5	MD500.ECO.02.005	support R		1
7	MD500.ECO.02.007	Display Support		1
8	MD500.ECO.02.008	nut		1
9	MD500.ECO.02.009	Nut		1
10	MD500.ECO.02.010	Washer		1
11	MD500.ECO.02.011	Screw		4
12	MD500.ECO.02.012	support L		1
13	MD500.ECO.02.013	Spring Washer		4
14	MD500.ECO.02.014	start block		1
15	MD500.ECO.02.015	Low Cover		1
16	MD500.ECO.02.016	Light		1

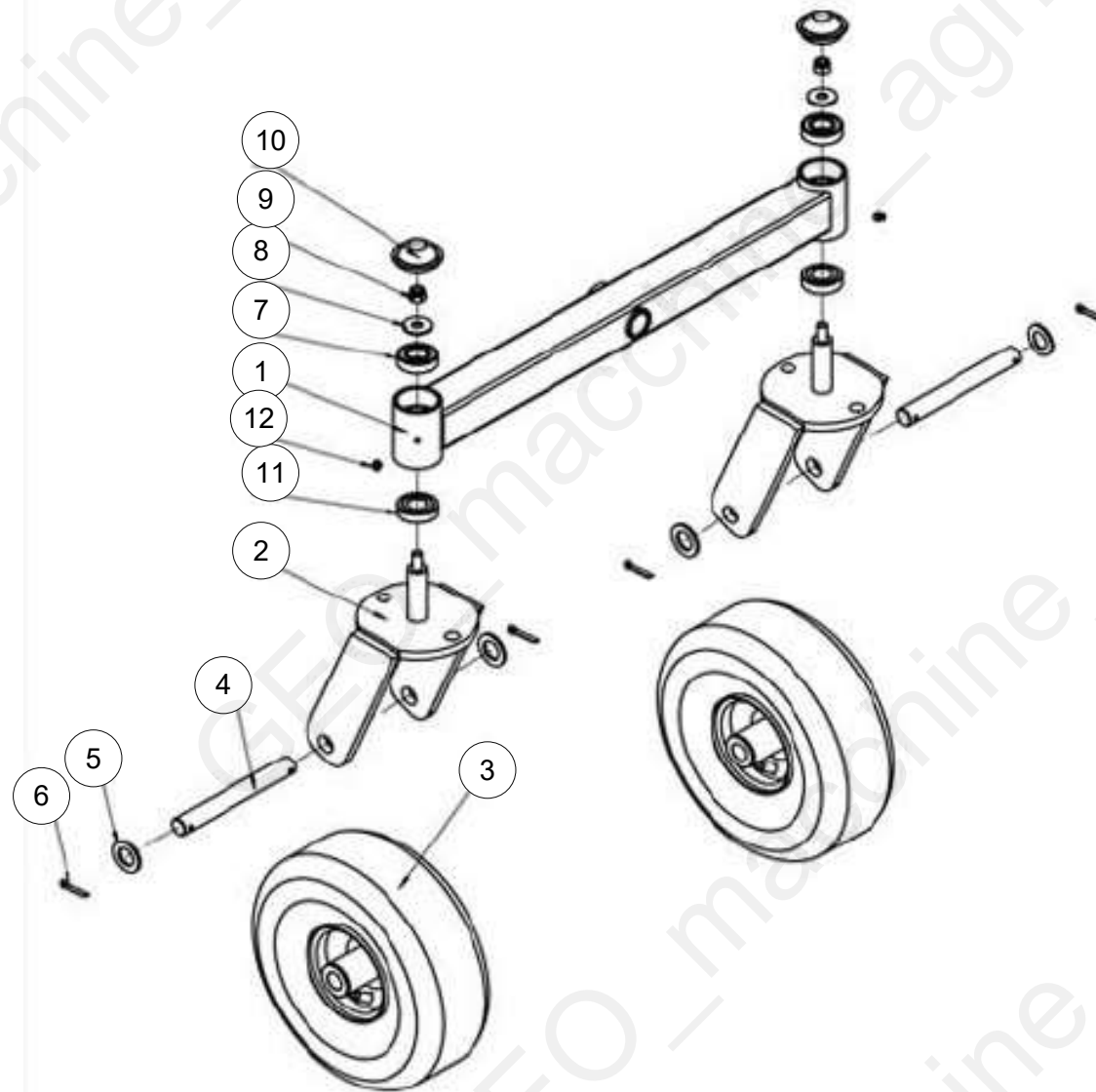


Machine: MD 500 ECO

Assembly: MD500_ECO_Parte3



Pos	Code	Description	NOTE	Q.
1	MD500.ECO.03.001	Handle Frame		1
2	MD500.ECO.03.002	Rubber Handle		1
3	MD500.ECO.03.003	Throttle Handle		1
4	MD500.ECO.03.004	Left Handle		1
5	MD500.ECO.03.005	Right Handle		1
6	MD500.ECO.03.006	Cable		1

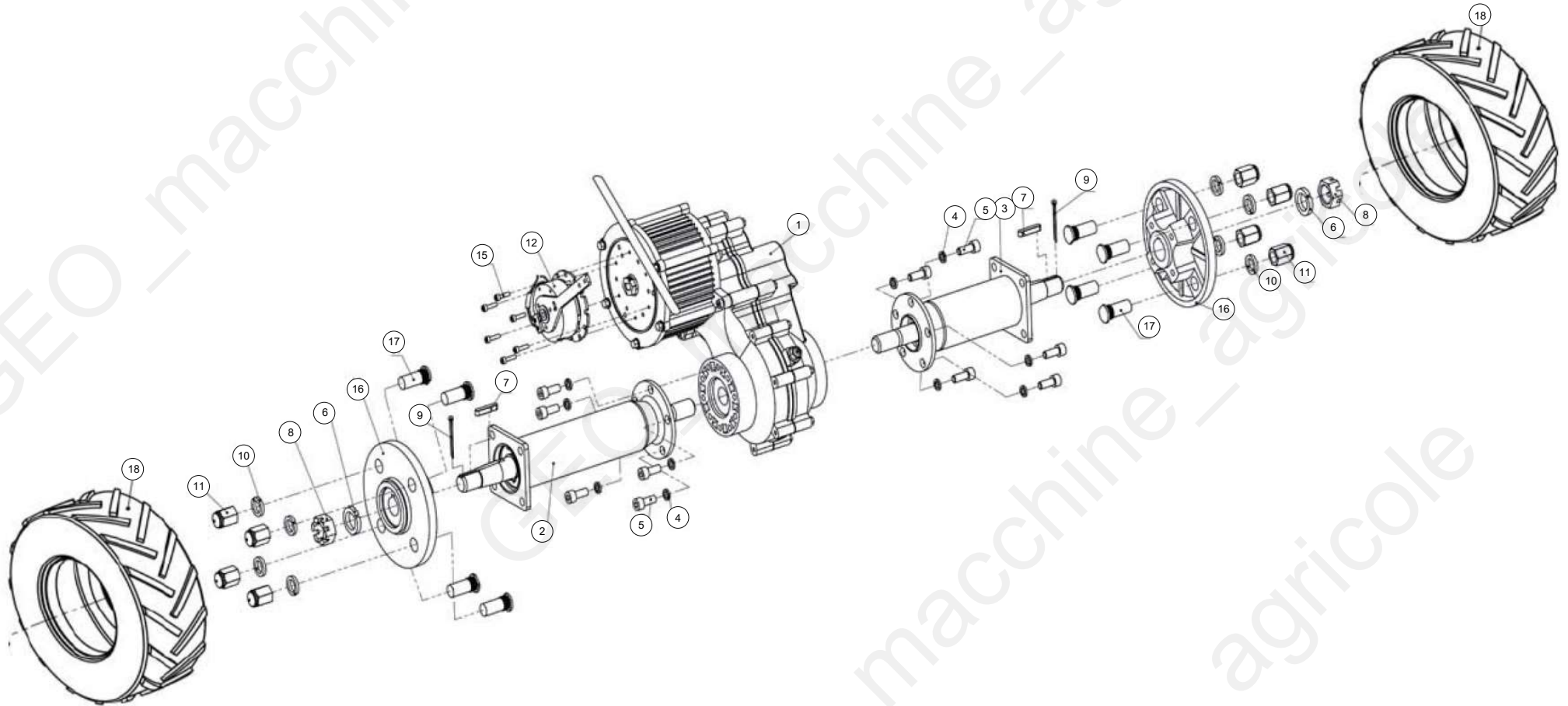


Machine: MD 500 ECO

Assembly: MD500_ECO_Parte4



Pos	Code	Description	NOTE	Q.
1	MD500.ECO.04.001	Frame		1
2	MD500.ECO.04.002	Wheel support		2
3	MD500.ECO.04.003	Light Wheel		2
4	MD500.ECO.04.004	axle		2
5	MD500.ECO.04.005	Washer		4
6	MD500.ECO.04.006	Pin		4
7	MD500.ECO.04.007	Bearing		2
8	MD500.ECO.04.008	washer		2
9	MD500.ECO.04.009	nut		2
10	MD500.ECO.04.010	Cover		2
11	MD500.ECO.04.011	bearing		2
12	MD500.ECO.04.012	grease nipple		2



Machine: MD 500 ECO

Assembly: MD500_ECO_parte6



Pos	Code	Description	NOTE	Q.
1	MD500.ECO.05.001	Electric Engine		1
2	MD500.ECO.05.002	trasmission Axle L		1
3	MD500.ECO.05.003	trasmission Axle R		1
4	MD500.ECO.05.004	washer		8
5	MD500.ECO.05.005	bolt		12
6	MD500.ECO.05.006	Spring Washer		2
7	MD500.ECO.05.007	key		2
8	MD500.ECO.05.008	Nut Axle		2
9	MD500.ECO.05.009	pin		2
10	MD500.ECO.05.010	Spring Washer		8
11	MD500.ECO.05.011	nut wheel		8
12	MD500.ECO.05.012	throttle control box		1
15	MD500.ECO.05.015	nut		6
16	MD500.ECO.05.016	hub		2
17	MD500.ECO.05.017	bolt wheel		8
18	MD500.ECO.05.018	Wheel		2