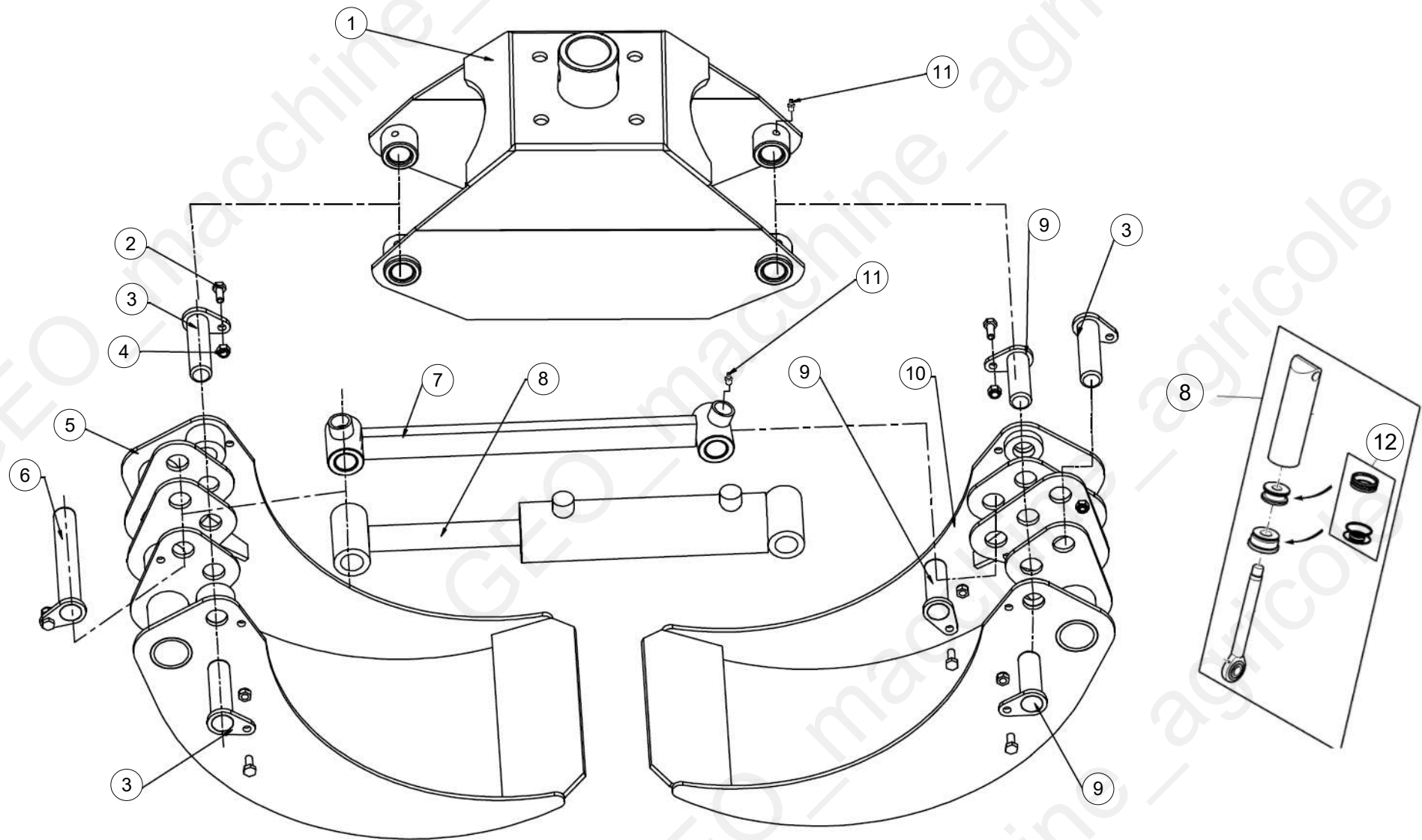


LG



Table of Contents

Tavola	Page
LG510_parte 1	3



Machine: LG

Assembly: LG510_parte 1



Pos	Code	Description	NOTE	Q.
1	ZD100.011	Main Frame		1
2	GB5783-2000	Bolt M8X20		7
3	ZD100.016	97Pin		3
4	GB/T889.1-8	Lock nut M8		7
5	ZD100.013	fork weldment (L)		1
6	ZD100.017	170Pin		1
7	ZD100.014	linkage bar		1
8	ZD100.018	cylinder		1
9	ZD100.015	78Pin		3
10	ZD100.012	fork weldment (R)		1
11	GB1152-89/M6	Grease nipple M6		6
12	ZD100.100	oil seal LG KIT		1