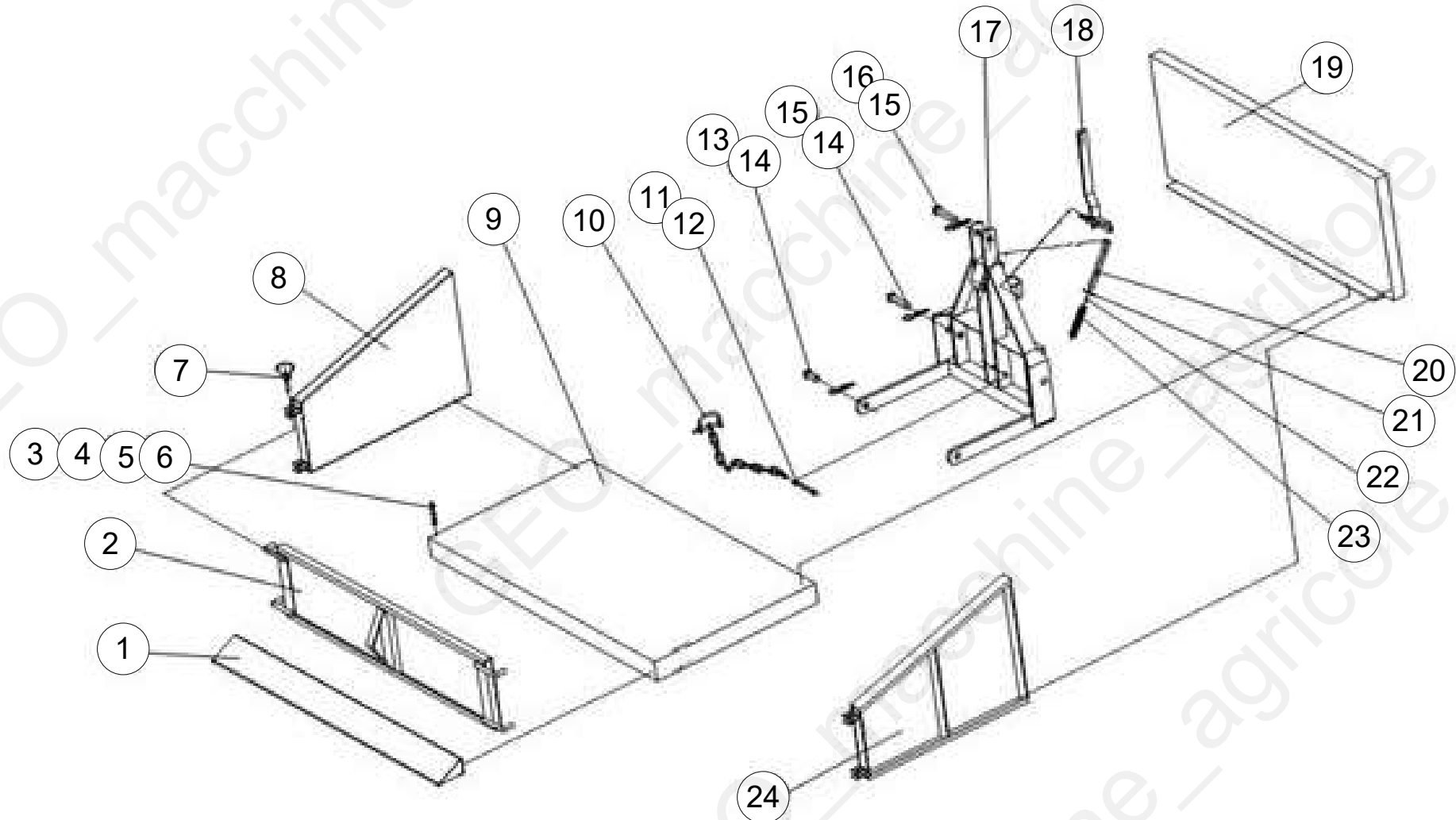


PRK



Table of Contents

Tavola	Page
PRK_parte 1	3



Pos	Code	Description	NOTE	Q.
1	LJTB140.011	Lip board weldment		1
1	LJTB150.011	Lip board weldment		1
2	LJTB140.014	Back door weldment		1
2	LJTB150.014	Back door weldment		1
3	GB/T5783-2000-M8x20	Bolt M8x20		26
4	GB/T97.1-2002-8	Plain washer 8		26
5	GB/T93-1987-8	Spring washer 8		26
6	GB/T6170-2000-M8	Nut M8		26
7	LJTB010	Lock pin 8		4
8	LJTB013	Left side door weldment		1
9	LJTB140.019	Bottom board weldment		1
9	LJTB150.019	Bottom board weldment		1
10	LJTB016	Zipper assembly		1
11	GB/T889.1-2000-M10	Locking nut M10		1
12	GB/T5782-2000-M10x90	Bolt M10X90		1
13	LJTB107	Link pin 20.5X46		2
14	FEL300.114	R pin 3.2		5
15	LJTB106	Down link pin		2
16	LJTB102	Up link pin		1
17	LJTB015	Link seat weldment		1
18	LJTB012	Handle weldment		1
19	LJTB140.017	Front door weldment		1
19	LJTB150.017	Front door weldment		1
20	LJTB104	Open box pin 18X160		1
21	GB/T97.1-2002-18	Plain washer 18		1

Machine: PRK

Assembly: PRK_parte 1



Pos	Code	Description	NOTE	Q.
22	GB/T879.1-2000	Elastic pin 4.5X35		1
23	LJTB105	Spring		1
24	LJTB018	Right side door weldment		1