

BS



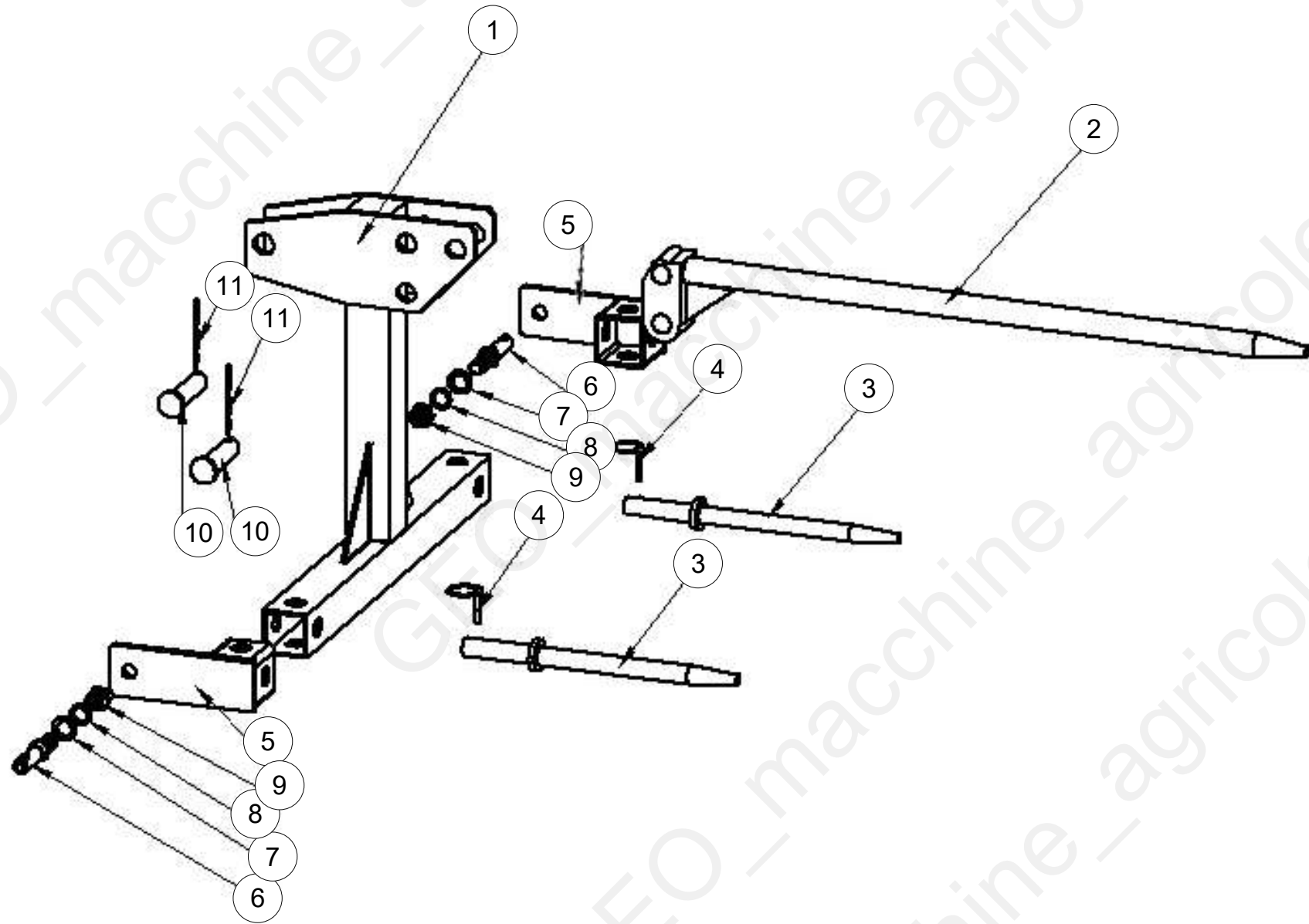
BS 1



BS 500 - 1000 - 1200

Table of Contents

Tavola	Page
BS_parte 1	3
BS_parte 2	5

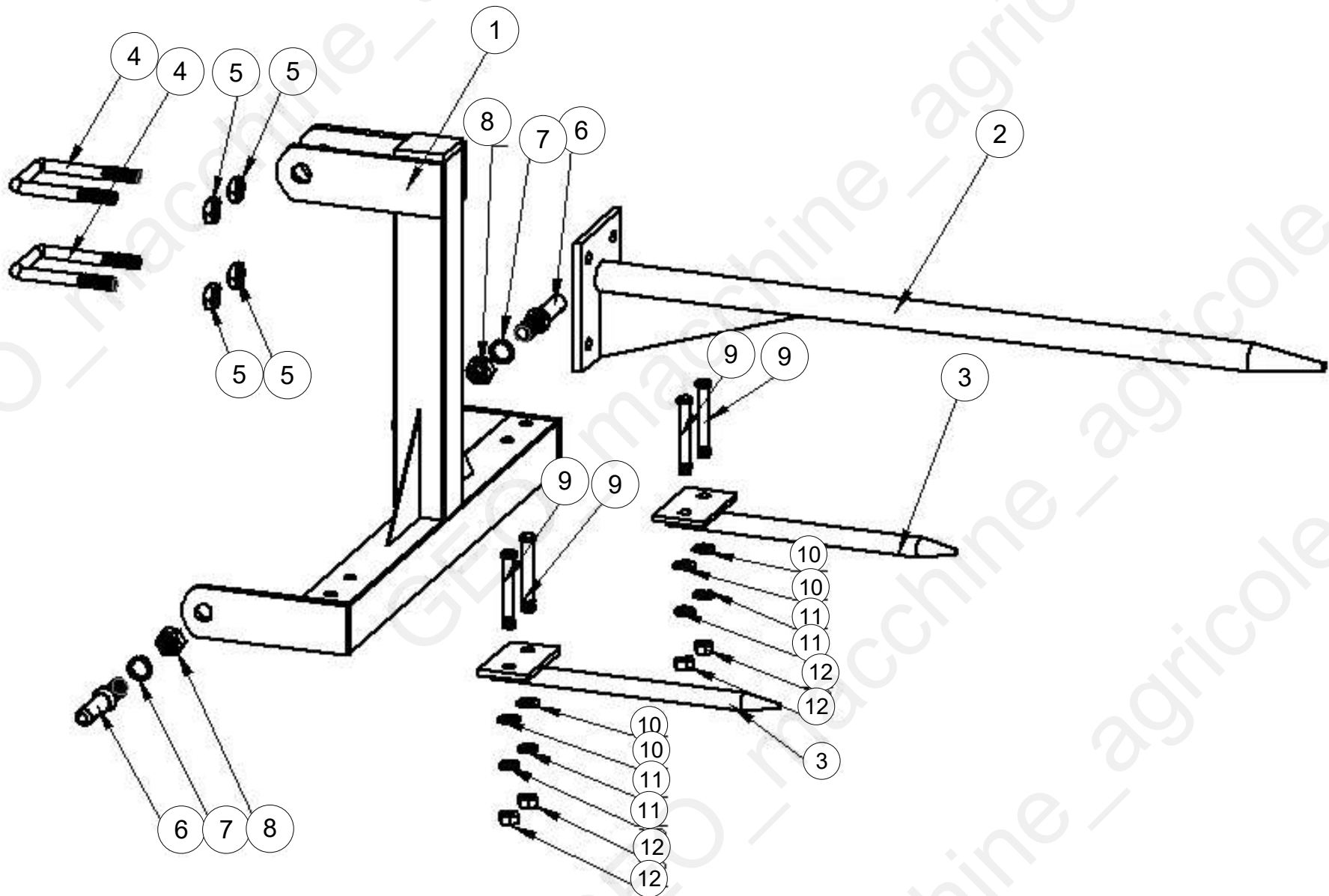


Machine: BS

Assembly: BS_parte 1



Pos	Code	Description	NOTE	Q.
1	BS.01	BS-1		1
2	BS.02			0
3	BS.03			0
4	BS.04			0
5	BS.05			0
6	BS.06			0
7	BS.07			0
8	BS.08			0
9	BS.09			0
10	BS.10			0
11	BS.11			0



Machine: BS

Assembly: BS_parte 2



Pos	Code	Description	NOTE	Q.
1	BS.02.001	Main frame		1
2	BS.02.002	Spear		1
3	BS.02.003	Small Spear		1
4	BS.02.004	U bolt		1
5	BS.02.005	nut		1
6	BS.06			1
7	BS.07			1
8	BS.08			1
9	BS.02.009	Bolt		1
10	BS.02.010	Plain Washer		1
11	BS.02.011	Spring Washer		1
12	BS.02.012	Nut		1