

## ECO 30



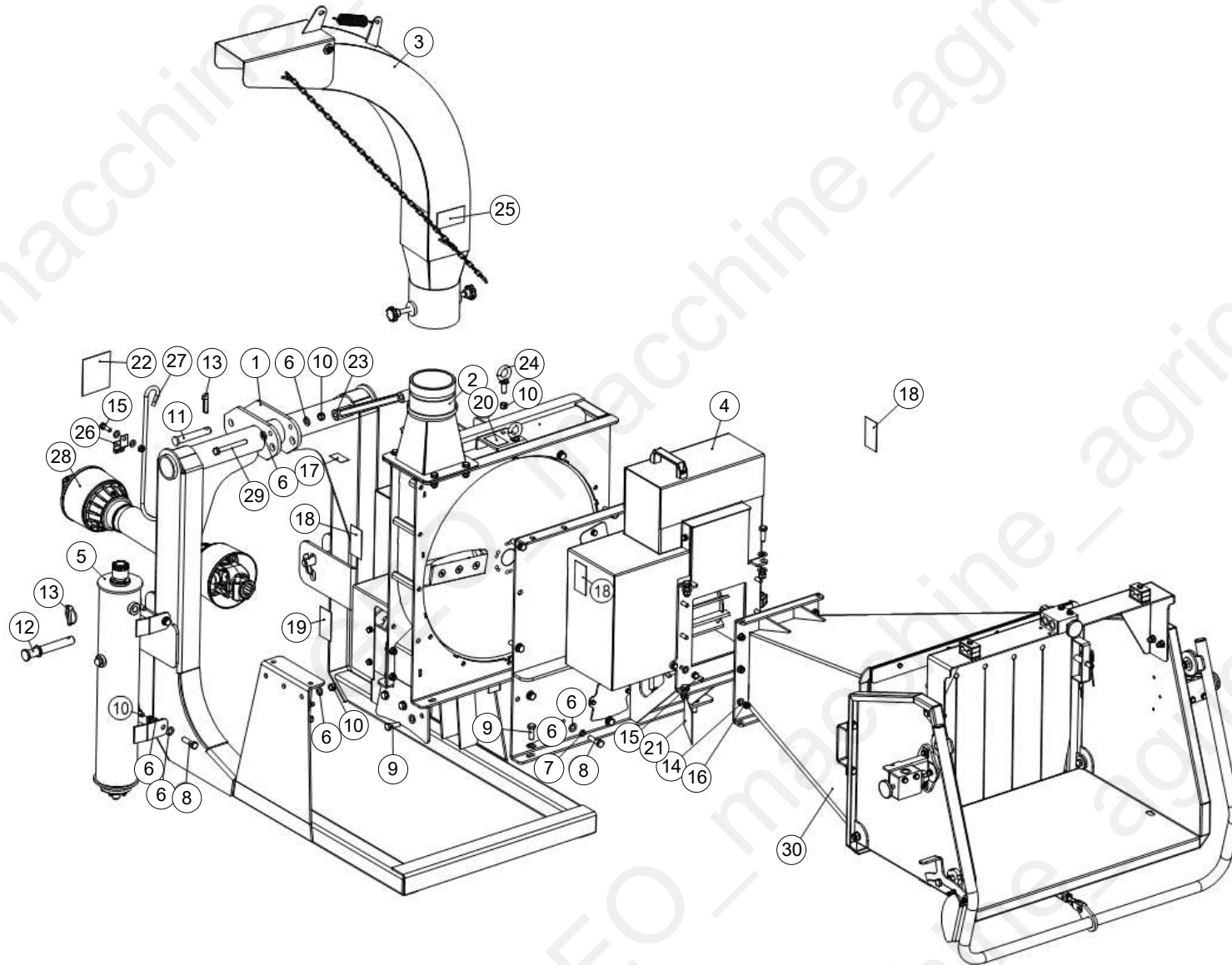
# Table of Contents

<b>Tavola</b>	<b>Page</b>
ECO 30	3
ECO 30 2016 2018	23
KIT_Protezione	43

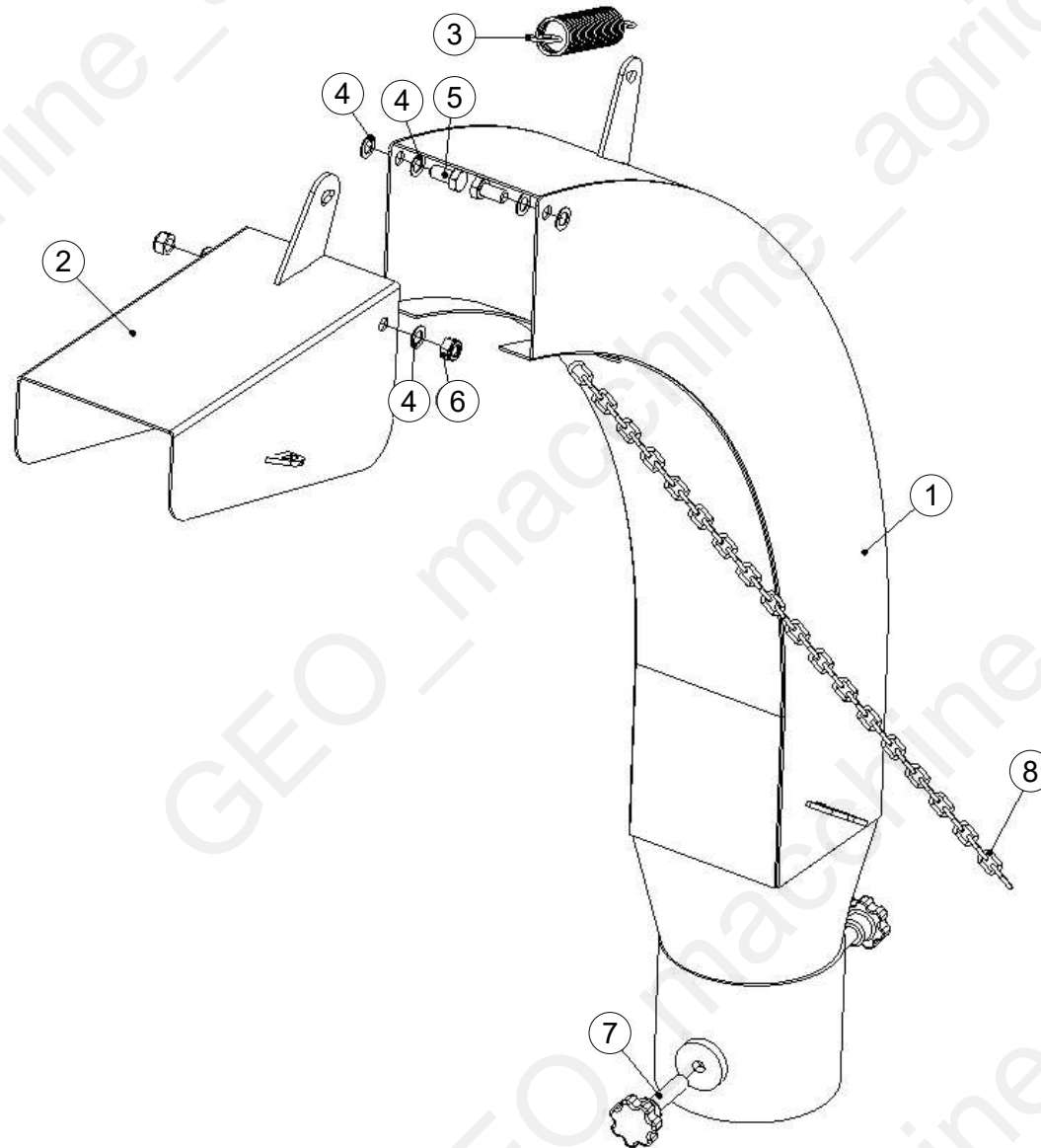
## ECO 30



GEO Italy S.R.L.



Pos	Code	Description	NOTE	Q.
1	W.FC130E-012	Hitch weldment		1
6	GB/T.95-2002-12	Flat washer 12 × 2.5		53
7	GB/T.93-1987-12	Spring washer 12		13
8	GB/T.5783-2000-M12x45	Bolt M12×45		15
9	GB/T.5783-2000-M12x35	Bolt M12x35		14
10	GB/T.889.1-2000-12	Lock Nut M12		20
11	BX42S.109	Hitch pin-Upper		1
12	LG180-105	Hitch pin-Lower		2
13	11x45	Safety pin 11*45		3
14	GB/T.95-2002-10	Flat washer 10 × 2		16
15	GB/T.5783-2000-M10x30	Bolt M10×30		8
16	GB/T.889.1-2000-10	Lock Nut M10		8
17	YB001	51.5*27.5 Decal		2
18	YB002	50*90 Decal		3
19	YB004	50*90 Decal		2
20	YB30	40*60 Decal		1
21	Z94007	124*97 Decal		1
22	Z94010	95*112 Decal		1
23	LWC130-030	Rod		1
24	GB.825-88-M12x35	Lifting eye bolt M12×35		2
25	YB009	90*50 Decal		2
26	W.FC130E-119	PTO hook holder		2
27	BCRI200-126	PTO shaft hook		1
28	T5S-BS-07-SBT1-800	Drive shaft		1
29	GB/T.5783-M12x100	Bolt M12×100		2

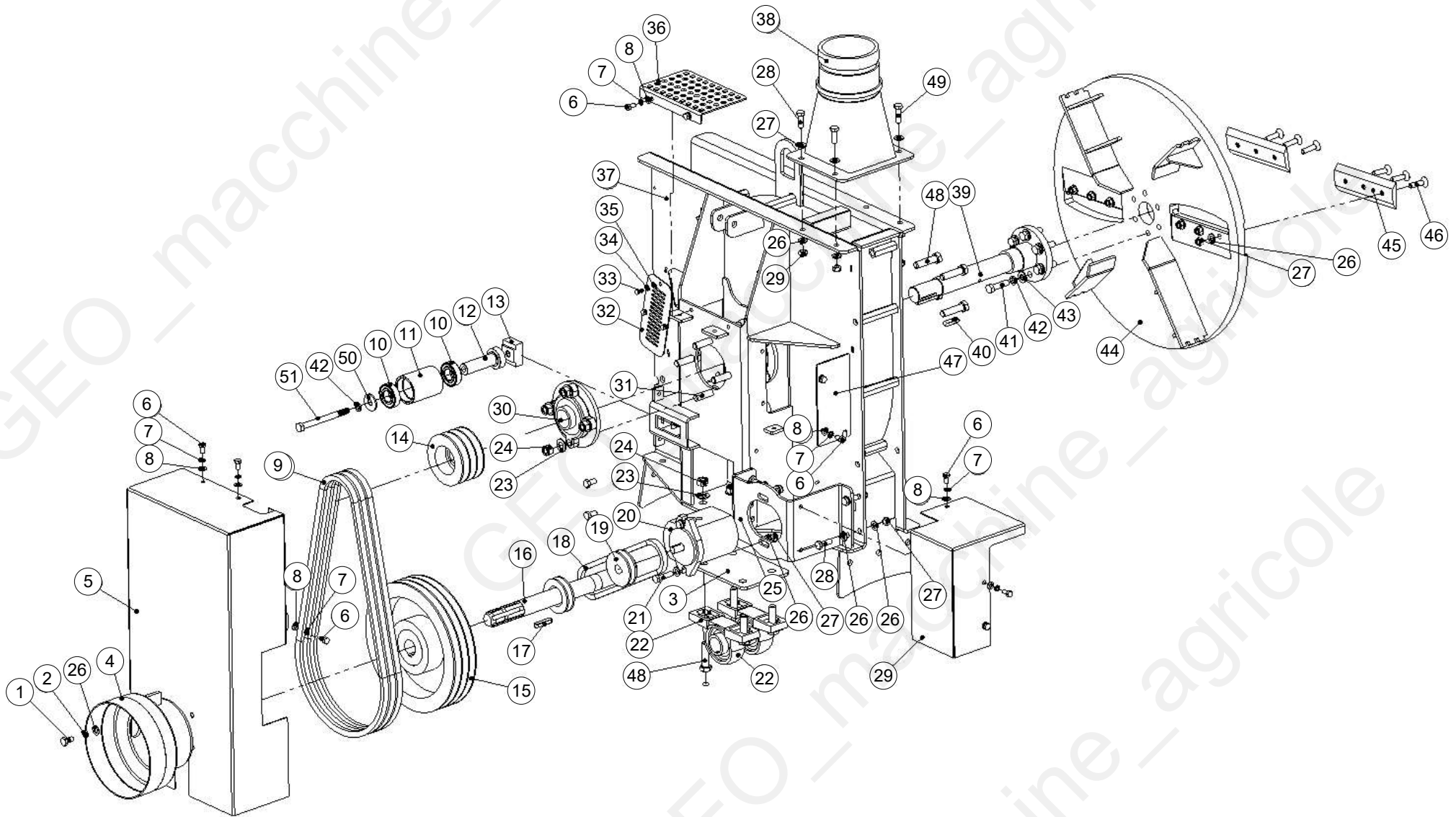


Machine: ECO 30

Assembly: ECO30\_2019\_parte 2



Pos	Code	Description	NOTE	Q.
1	LWC130.022	Discharge chute weldment		1
2	LWC130.024	Discharge chute cover		1
3	LWC130.211	Spring		1
4	11x30x1	Nylon washer		6
5	GB/T.5783-2000-M10x20	Bolt M10 ×20		2
6	GB/T.889.1-2000-10	Lock Nut M10		2
7	LWC130.M12x50	Heptagon bolt M12x50		2
8	BX62.118	Chain		1





Pos	Code	Description	NOTE	Q.
1	GB/T.5783-2000-M10x20	Bolt M10 ×20		4
2	GB/T.93-1987-10	Spring washer 10		4
3	LWC130.124	Bearing seat mounting plate		1
4	EF175.127	PTO guard		1
5	LWC130.029	Belt guard weldment		1
6	GB/T.5783-2000-M8×16	Bolt M8×16		14
7	GB/T.93-1987-8	Spring washer 8		14
8	GB/T.95-2002-8	Flat washer 8 × 1.6		14
9	XPB.17*1397	Belt 17 x 1397		3
10	GB/T.276-94-6205-ZZ	bearing 6205-ZZ		2
11	LWC130.105	Belt idler pulley		1
12	LWC130.104	Idler pulley shaft		1
13	LWC130.103	Limited block		1
14	SPB.106-3-1610-35	Driven pulley 1		1
15	SPB.280-3-3020-35	Drive pulley 1		1
16	LWC130.030	Drive axle weldment		1
17	GB/T.1096-1979-10x45	Flat key 10×45		1
18	V.13*710	Belt for hydraulic pump		1
19	LWC130.111	Drive pulley 2		1
20	L37_7/8.14U_3/4.16U	L37(in.7/8.14UNF_out.3/4.16UNF)left-handed		2
21	GB/T.5783-2000-M10x40	Bolt M10×40		2
22	GB7810-UCP207	Bearing seat UCP207		2
23	GB/T.95-2002-14	Flat Washer 14×2.5		12
24	GB/T.889.1-2000-14	Lock Nut M14		12
25	LWC130.026	Pump support weldment		1

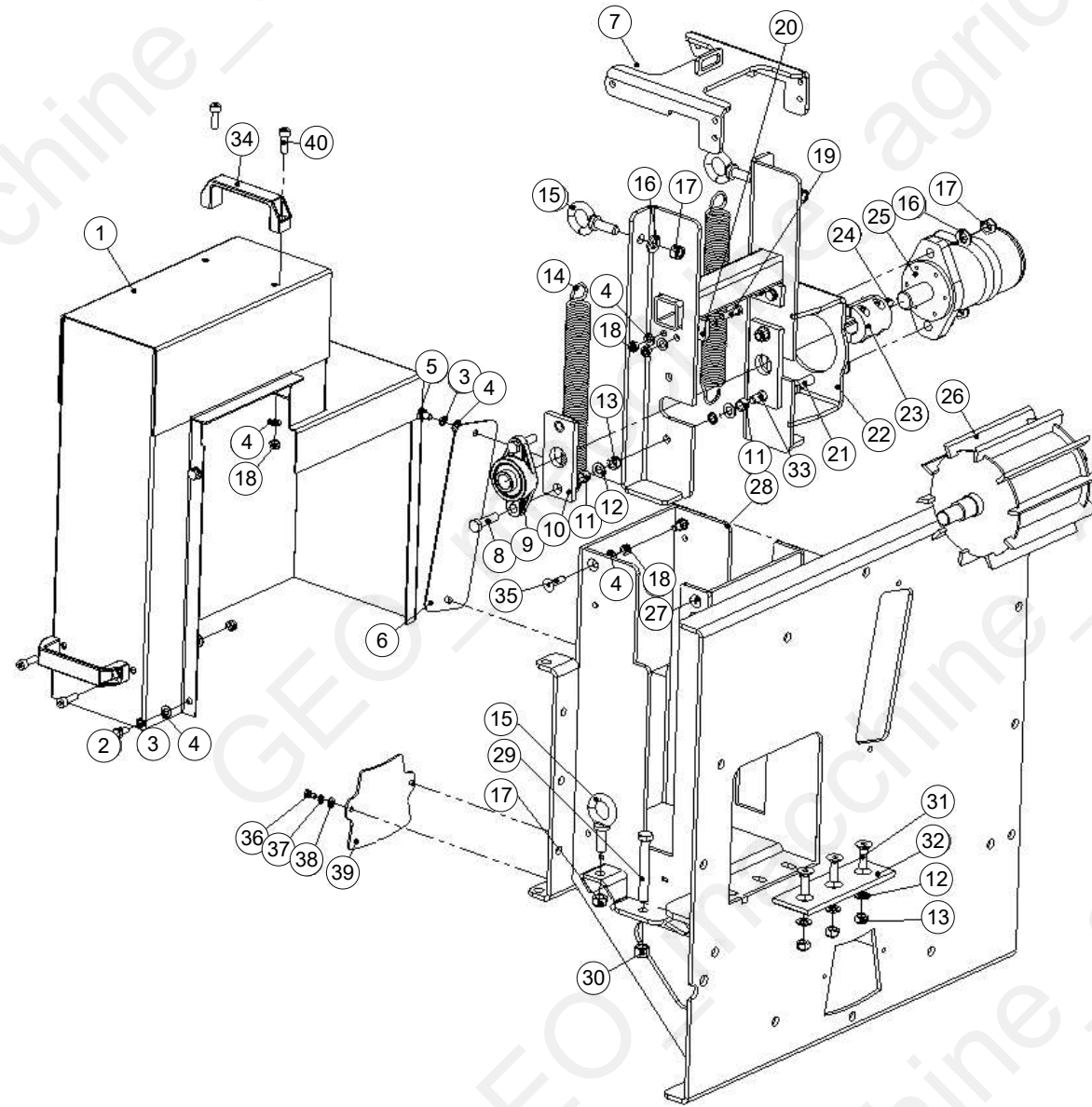
Pos	Code	Description	NOTE	Q.
26	GB/T.95-2002-10	Flat washer 10 × 2		27
27	GB/T.889.1-2000-10	Lock Nut M10		14
28	GB/T.5783-2000-M10x30	Bolt M10×30		5
29	LWC130.101	hydraulic pump guard		1
30	UCF208	Bearing seat UCF208		2
31	GB/T.5783-2000-M14x50	Bolt M14*50		4
32	LWC130.109	Chipper Knife access Cover		1
33	GB/T.5783-2000-M6x12	Bolt M6*12		3
34	GB/T.93-1987-6	Spring washer 6		3
35	GB/T.95-2002-6	Flat washer 6 × 1.6		4
36	LWC130.108	Top access cover		1
37	LWC130.011	Feeding box weldment		1
38	LWC130.022.01	Discharge port weldment		1
39	LWC130.028	Drive shaft tube weldment		1
40	GB/T1096.1979-10×40	Flat key 10×40		1
41	GB/T.5783-2000-M12x45	Bolt M12×45		6
42	GB/T.93-1987-12	Spring washer 12		7
43	GB/T.95-2002-12	Flat washer 12 × 2.5		6
44	LWC130.015	Flywheel weldment		1
45	LWC130.201	Chipper knife		2
46	GB/T.70.3-2000-M10x40	HSCHS M10*40		6
47	LWC130.107	Small cover		2
48	GB/T.5783-2000-M14x55	Bolt M14*55		8
49	GB/T.5783-2000-M10x35	Bolt M10×35		2
50	GB/T.96.2-2002-12×3	Large plain washer 12×3		1

Machine: ECO 30

Assembly: ECO30\_2019\_parte 3

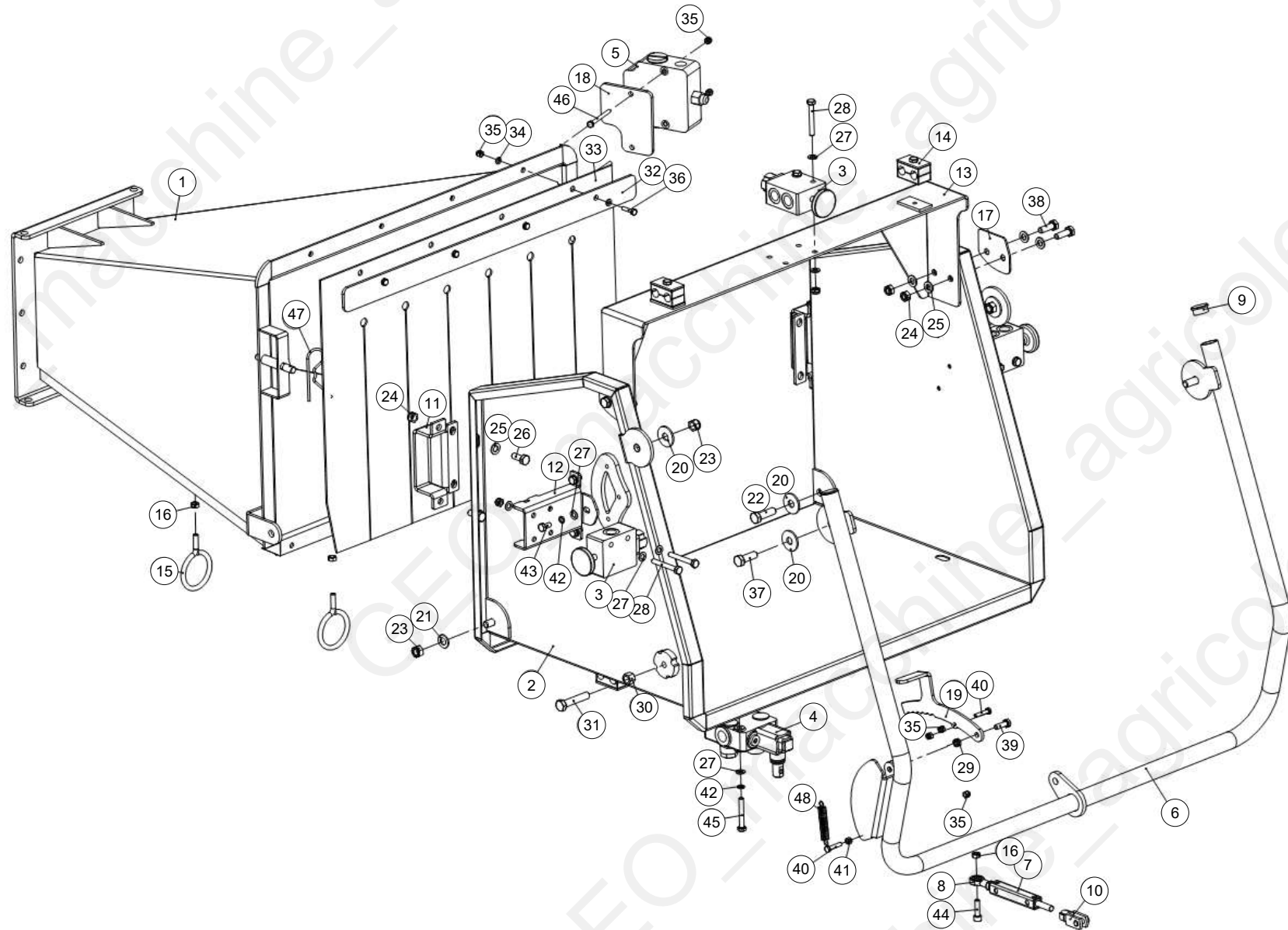


Pos	Code	Description	NOTE	Q.
51	GB/T.5782-M12x130	Bolt M12*130		1



Pos	Code	Description	NOTE	Q.
1	LWC130.025	Hydro-motor guard weldment		1
2	GB/T.5783-2000-M8×16	Bolt M8×16		7
3	GB/T.93-1987-8	Spring washer 8		9
4	GB/T.95-2002-8	Flat washer 8 × 1.6		23
5	GB/T.5783-2000-M8×16	Bolt M8×16		2
6	LWC130.106	Rear access cover		1
7	LWC130.027	Feeding box top cover weldment		1
8	GB/T.5783-2000-M10×40	Bolt M10×40		2
9	UCFL204	BEARING SEAT UCFL204		1
10	LWC130.115	Slider		2
11	LWC130.117	Sleeve		4
12	GB/T.95-2002-10	Flat washer 10 × 2		9
13	GB/T.889.1-2000-10	Lock Nut M10		7
14	LWC130.203	Self-adjusting spring		2
15	M12	Lifting bolt M12		4
16	GB/T.95-2002-12	Flat washer 12 × 2.5		8
17	GB/T.889.1-2000-12	Lock Nut M12		6
18	GB/T.889.1-2000-8	Lock Nut M8		10
19	GB/T.5783-2000-M8×30	Bolt M8×30		4
20	LWC130.116	Wear slider-upper		2
21	GB/T.5783-2000-M12×40	Bolt M12×40		2
22	LWC130.016	Roller bracket weldment		1
23	diam25*8*55	Steel coupling		1
24	BP.GBT2	Flat key 8×32		1
25	155160A6912AAATH	Hydro-motor(Axis is diam 25mm)		1

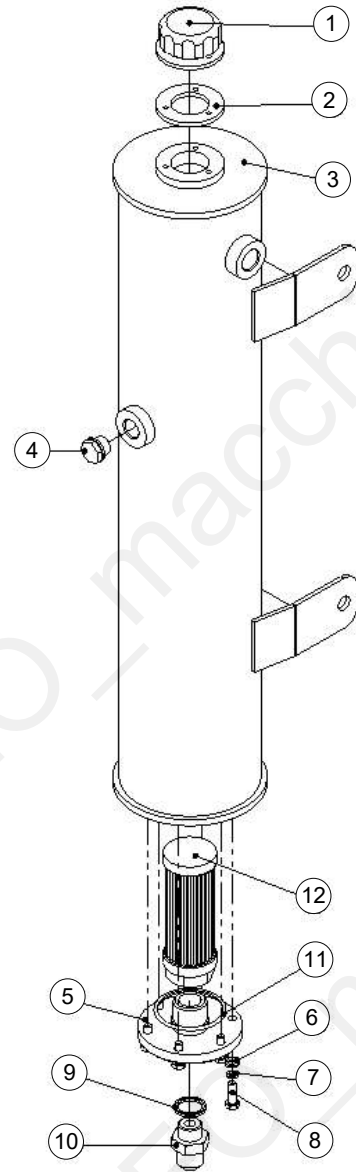
Pos	Code	Description	NOTE	Q.
26	LWC130.017	Roller weldment		1
27	GB/T.70.3-2000-M8x16	HSCHS M8*16		4
28	LWC130.014	Feeding box weldment		1
29	GB/T.5783-2000-M12x90	Bolt M12×90		2
30	GB/T.41-2000-12	Nut M12		2
31	GB/T.70.3-2000-M10x35	HSCHS M10*35		3
32	LWC130.202	Wear plate ANVIL		1
33	GB/T.5783-2000-M10x30	Bolt M10×30		2
34	LWC130.8-120	Handle 8-120		2
35	GB/T.70.3-2000-M8x30	HSCHS M8*30		2
36	GB/T.5783-2000-M6x12	Bolt M6*12		2
37	GB/T.93-1987-6	Spring washer 6		2
38	GB/T.95-2002-6	Flat washer 6 × 1.6		2
39	LWC130.126	Cleaning cover		1
40	GB/T.70.1-2000-M8x25	SHCS M8*25		4



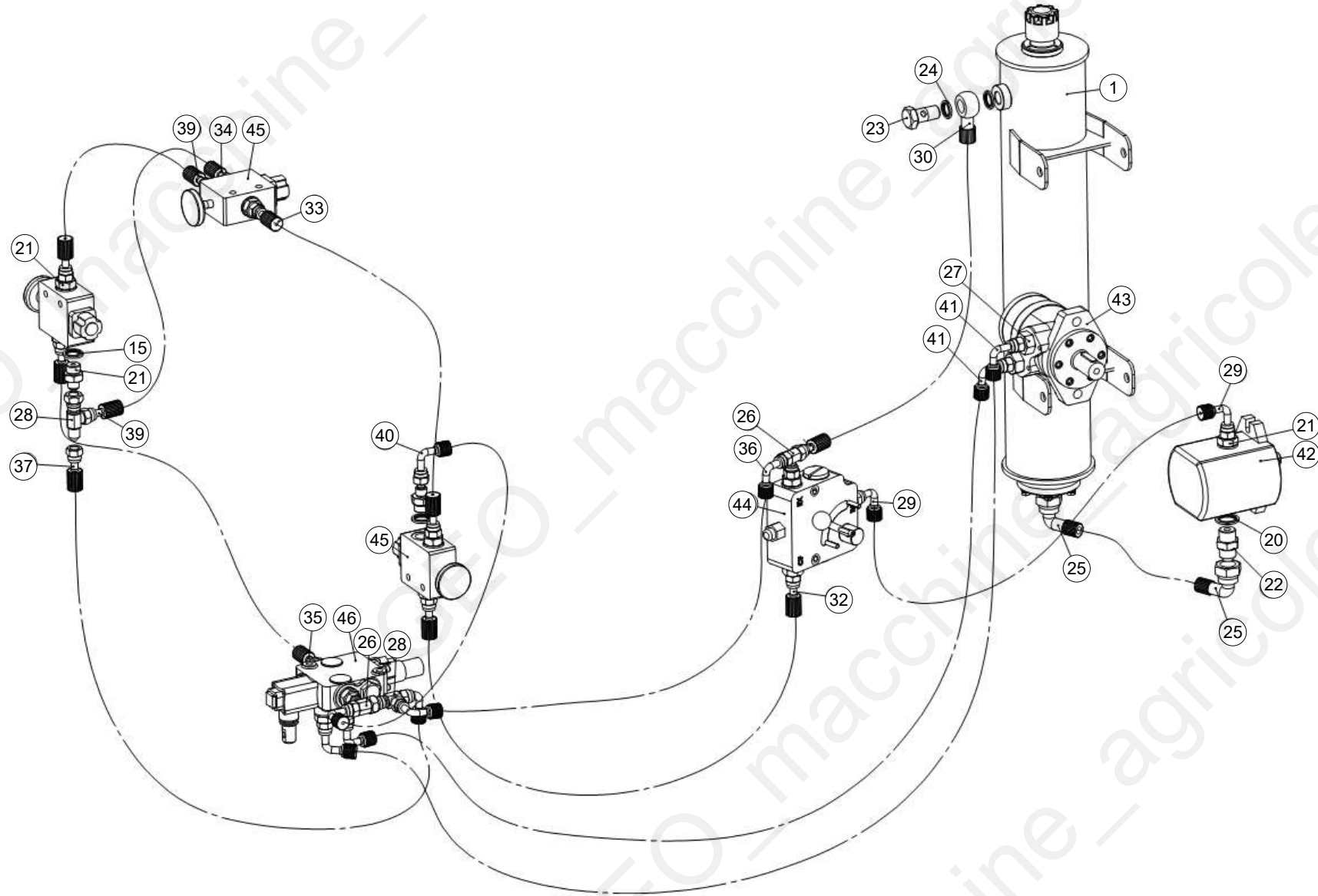
Pos	Code	Description	NOTE	Q.
1	W.FC130EE-018	Feeding hopper		1
2	W.FC130EE-019	Hopper		1
3	W.FC130EE-201	Change Valve		3
4	HC-M45Y	Selector valve		1
5	LKF.30.3/4.16UNF	Throttle valve		1
6	W.FC130EE-020	Transport Handle		1
7	W.FC130EE-021	Bar		1
8	GB/T9161-2001	Joining bearing M8(Female)		1
9	30x2	Round pipe plug 30*2		2
10	FK10*20+CL10*20	Connector with spring pin (M10*1.5)		1
11	W.FC130E-118	Rubber platen		2
12	W.FC130EE-102	Mounting plate		2
13	W.FC130EE-022	Mounting plate		1
14	16			4
15	W.FC130E-131	Cliver		2
16	GB/T.41-2000-8	Nut M8		3
17	W.FC130EE-103	Cushion plate		2
18	W.FC130E-132	Valve cushion plate		1
19	W.FC130EE-203	Location Pull rod		1
20	GB/T.96.2-2002-12x3	Large plain washer 12x3		6
21	GB/T.95-2002-12	Flat washer 12 x 2.5		2
22	GB/T.5783-2000-M12x40	Bolt M12x40		2
23	GB/T.889.1-2000-12	Lock Nut M12		4
24	GB/T.889.1-2000-10	Lock Nut M10		8
25	GB/T.95-2002-10	Flat washer 10 x 2		12



Pos	Code	Description	NOTE	Q.
26	GB/T.5783-2000-M10x25	Bolt M10×25		4
27	GB/T.95-2002-8	Flat washer 8 × 1.6		20
28	GB/T.5783-2000-M8×60	Bolt M8×60		6
29	GB/T.889.1-2000-8	Lock Nut M8		7
30	GB/T.41-2000-12	Nut M12		1
31	GB/T.5783-2000-M12x60	Bolt M12×60		1
32	W.FC130E-112	Rubber platen		1
33	W.FC130E-113	Blow-back shield		1
34	GB/T.95-2002-6	Flat washer 6 × 1.6		8
35	GB/T.889.1-2000-6	Lock Nut M6		9
36	GB/T.5783-2000-M6x25	Bolt M6x25		4
37	GB/T.5783-2000-M12x35	Bolt M12x35		2
38	GB/T.5783-2000-M10x30	Bolt M10×30		4
39	GB/T.5783-2000-M8×25	Bolt M8×25		1
40	GB/T.5783-2000-M6x30	Bolt M6×30		2
41	GB/T.41-2000-6	Nut M6		1
42	GB/T.93-1987-8	Spring washer 8		9
43	GB/T.5783-2000-M8×16	Bolt M8×16		6
44	GB/T.70.1-2000-M8x30	HSCS-Cap M8×30		1
45	GB/T.5783-2000-M8×55	Bolt M8×55		2
46	GB/T.5783-2000-M6x65	Bolt M6×65		2
47	3.5			2
48	G.AT120.211	Tension spring		1



Pos	Code	Description	NOTE	Q.
1	QUQ1_1	Air cleaner		1
2	QUQ1_2	Rubber shim		1
3	LWC130.013	Oil tank weldment		1
4	JB/T941.1995	Sight glass 16*1.5		1
5	FCR200P.214	Oil joint		1
6	GB/T.95-2002-6	Flat washer 6 × 1.6		6
7	GB/T.93-1987-6	Spring washer 6		6
8	GB/T.5783-2000-M6x20	Bolt M6*20		6
9	BS/A19.60(UNF3/4)	Combined sealing gaskets(Automatic core)		1
10	FCR200P.218	Oil connection 2		1
11	OD.58*.Thk.3	O Ring		1
12	WU-40*100J	Built-in filter		1



Pos	Code	Description	NOTE	Q.
1	W.FC130E-006	Oil tank assembly		1
15	BS/A18(M18)	Combined sealing gaskets(Automatic core)		1
20	BS/A23.50G5/8.UNF.7/8	Combined sealing gaskets(Automatic core)		1
21	W.BX42B.123	Valve fitting connector		1
22	W.BX42B.126	Motor adapter		1
23	M18x1.5x37	Melric bolt		1
24	BS/A18(M18)	Combined sealing gaskets(Automatic core)		1
25	W.FC130EE-205	Hydraulic hose		1
26	W.FC130EEC-313	Tee		1
27	BS/A19.60(UNF3/4)	Combined sealing gaskets(Automatic core)		1
28	W.BX42B.301	Tee		1
29	BS/A23.50G5/8.UNF.7/8	Combined sealing gaskets(Automatic core)		1
30	W.FC130EE-206	Hydraulic hose		1
32	W.FC130EE-212	Hydraulic hose		1
33	W.FC130EE-209	Hydraulic hose		1
34	W.FC130EE-215	Hydraulic hose		1
35	W.FC130EE-210	Hydraulic hose		1
36	LWC130-204A	Hydraulic hose		1
37	W.FC130EE-211	Hydraulic hose		1
39	W.FC130EE-214	Hydraulic hose		1
40	W.FC130EE-208	Hydraulic hose		1
41	W.FC130EE-207	Hydraulic hose		1
42	2PF18LJ37P02L	Pump		1
43	155160A6912AAATH	Hydro-motor(Axis is diam 25mm)		1
44	LKF.30.3/4.16UNF	Throttle valve		1

Machine: ECO 30

Assembly: ECO30\_2019\_parte 7

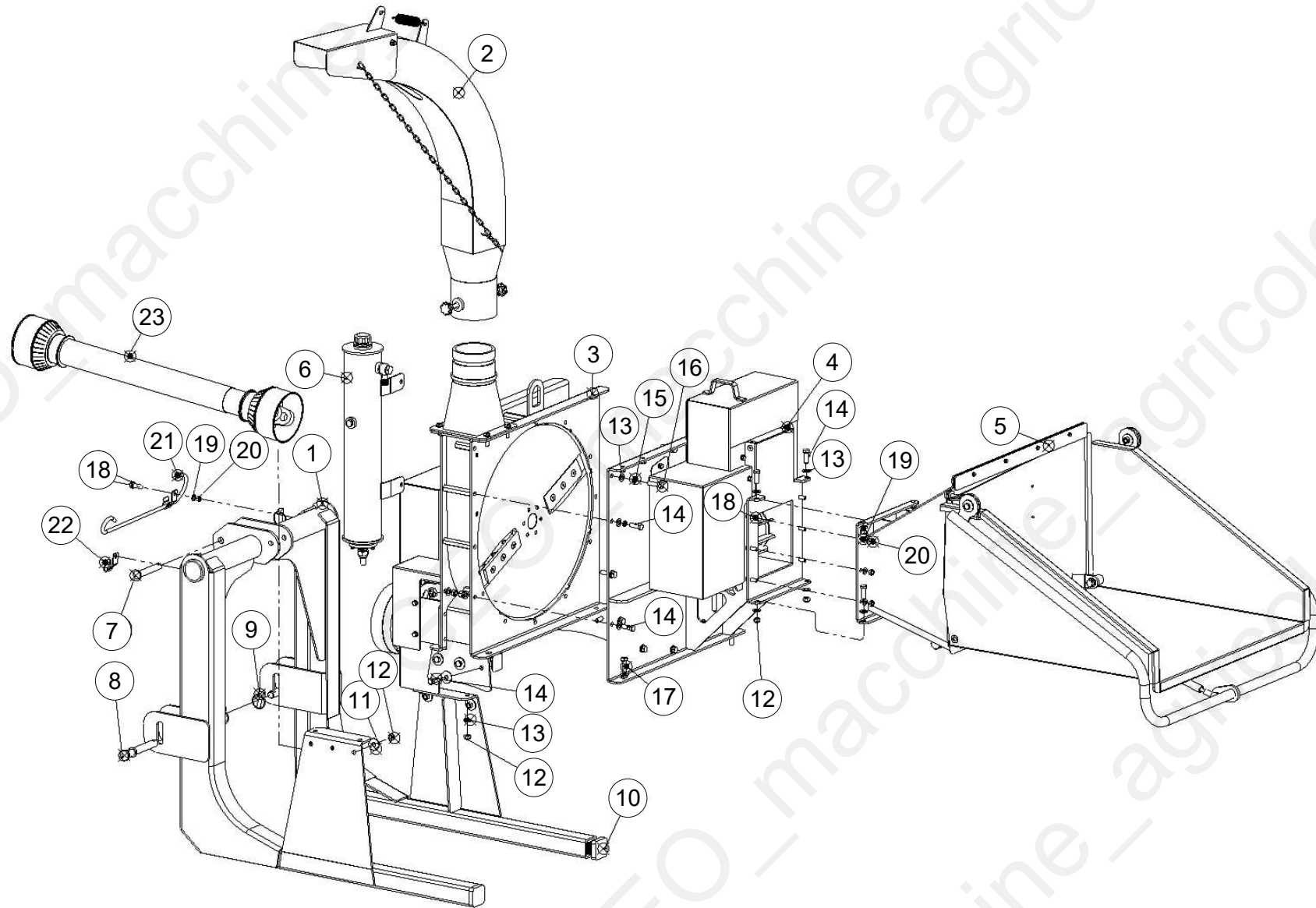


Pos	Code	Description	NOTE	Q.
45	W.FC130EE-201	Change Valve		3
46	HC-M45Y	Selector valve		1

## ECO 30 2016 2018

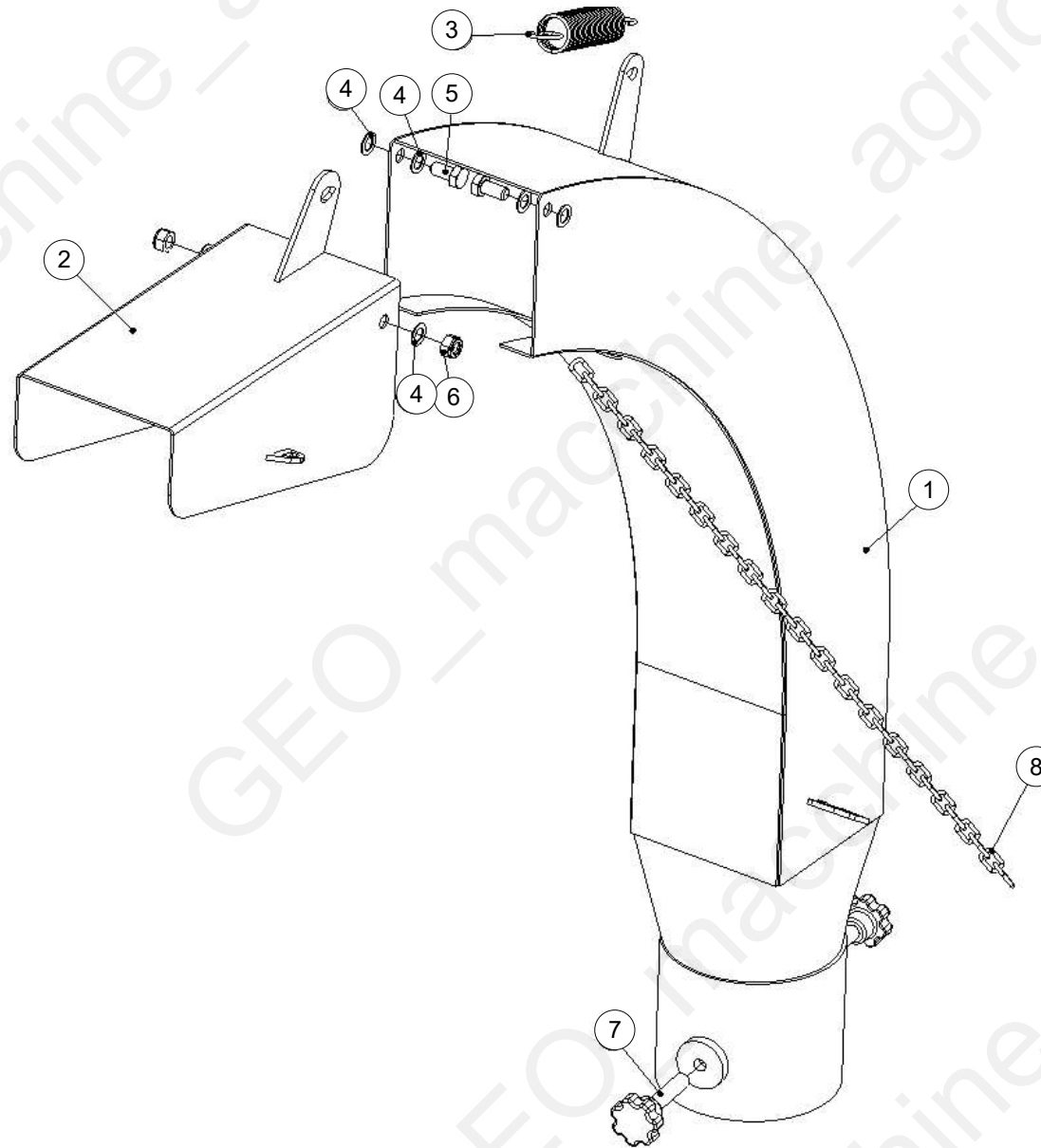


GEO Italy S.R.L.

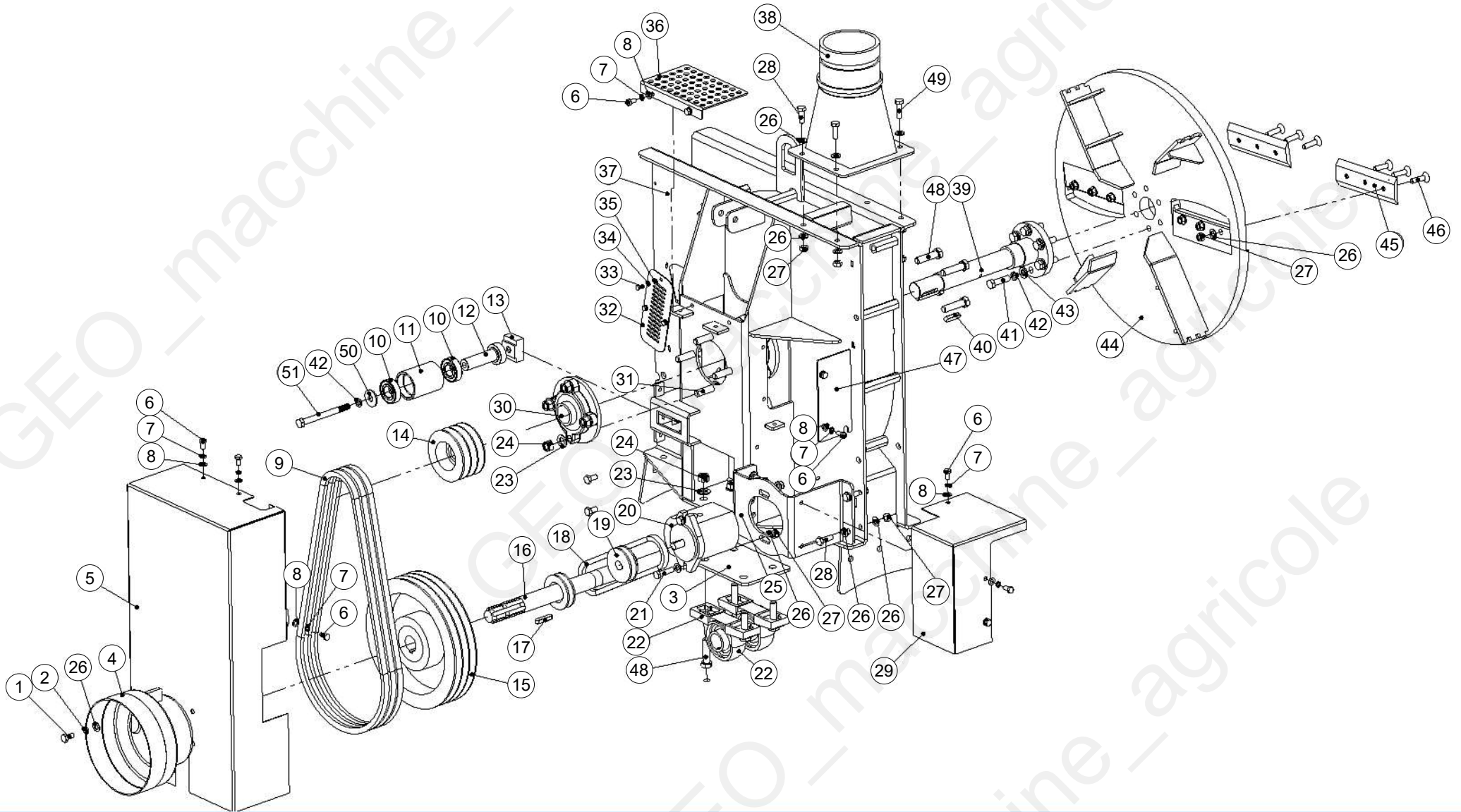




Pos	Code	Description	NOTE	Q.
1	LWC130.012	Hitch weldment		1
7	BX42S.109	Hitch pin-Upper		1
8	LG180.105	Hitch pin - Lower		2
9	diam11*45	Latch - zinc color		3
10	LWC130.50*50	Square pipe plug 50*50		2
11	GB/T96.2-2002-12×3	Large plain washer 12×3		12
12	GB/T889.1-2000-M12	Locknut M12		14
13	GB/T95-2002-12	Plain washer 12×2.5		42
14	GBT5783.2000-M12×35	Hexagon bolt M12×35		14
15	GBT93.1987/12	Spring washer 12		12
16	GBT5783.2000-M12×45	Bolt M12*45		11
17	GBT5783.2000-M10×40	Bolt M12*40		2
18	GBT5783.2000-M10×30	Bolt M10*30		8
19	GB/T95-2002-10	Plain washer 10×2		14
20	GB/T889.1-2000-M10	Locking nut M10		8
21	BCRL200.126	PTO hook		1
22	LWC130.119	PTO hook holder		2
23	05B-800.with.saf_bolt	PTO shaft		1



Pos	Code	Description	NOTE	Q.
1	LWC130.022	Discharge chute weldment		1
2	LWC130.024	Discharge chute cover		1
3	LWC130.211	Spring		1
4	11x30x1	Nylon washer		6
5	GB/T.5783-2000-M10x20	Bolt M10 ×20		2
6	GB/T.889.1-2000-10	Lock Nut M10		2
7	LWC130.M12x50	Heptagon bolt M12x50		2
8	BX62.118	Chain		1



Pos	Code	Description	NOTE	Q.
1	GB/T.5783-2000-M10x20	Bolt M10 ×20		4
2	GB/T.93-1987-10	Spring washer 10		4
3	LWC130.124	Bearing seat mounting plate		1
4	EF175.127	PTO guard		1
5	LWC130.029	Belt guard weldment		1
6	GB/T.5783-2000-M8×16	Bolt M8×16		14
7	GB/T.93-1987-8	Spring washer 8		14
8	GB/T.95-2002-8	Flat washer 8 × 1.6		14
9	XPB.17*1397	Belt 17 x 1397		3
10	GB/T.276-94-6205-ZZ	bearing 6205-ZZ		2
11	LWC130.105	Belt idler pulley		1
12	LWC130.104	Idler pulley shaft		1
13	LWC130.103	Limited block		1
14	SPB.106-3-1610-35	Driven pulley 1		1
15	SPB.280-3-3020-35	Drive pulley 1		1
16	LWC130.030	Drive axle weldment		1
17	GB/T.1096-1979-10x45	Flat key 10×45		1
18	V.13*710	Belt for hydraulic pump		1
19	LWC130.111	Drive pulley 2		1
20	L37_7/8.14U_3/4.16U	L37(in.7/8.14UNF_out.3/4.16UNF)left-handed		2
21	GB/T.5783-2000-M10x40	Bolt M10×40		2
22	GB7810-UCP207	Bearing seat UCP207		2
23	GB/T.95-2002-14	Flat Washer 14×2.5		12
24	GB/T.889.1-2000-14	Lock Nut M14		12
25	LWC130.026	Pump support weldment		1

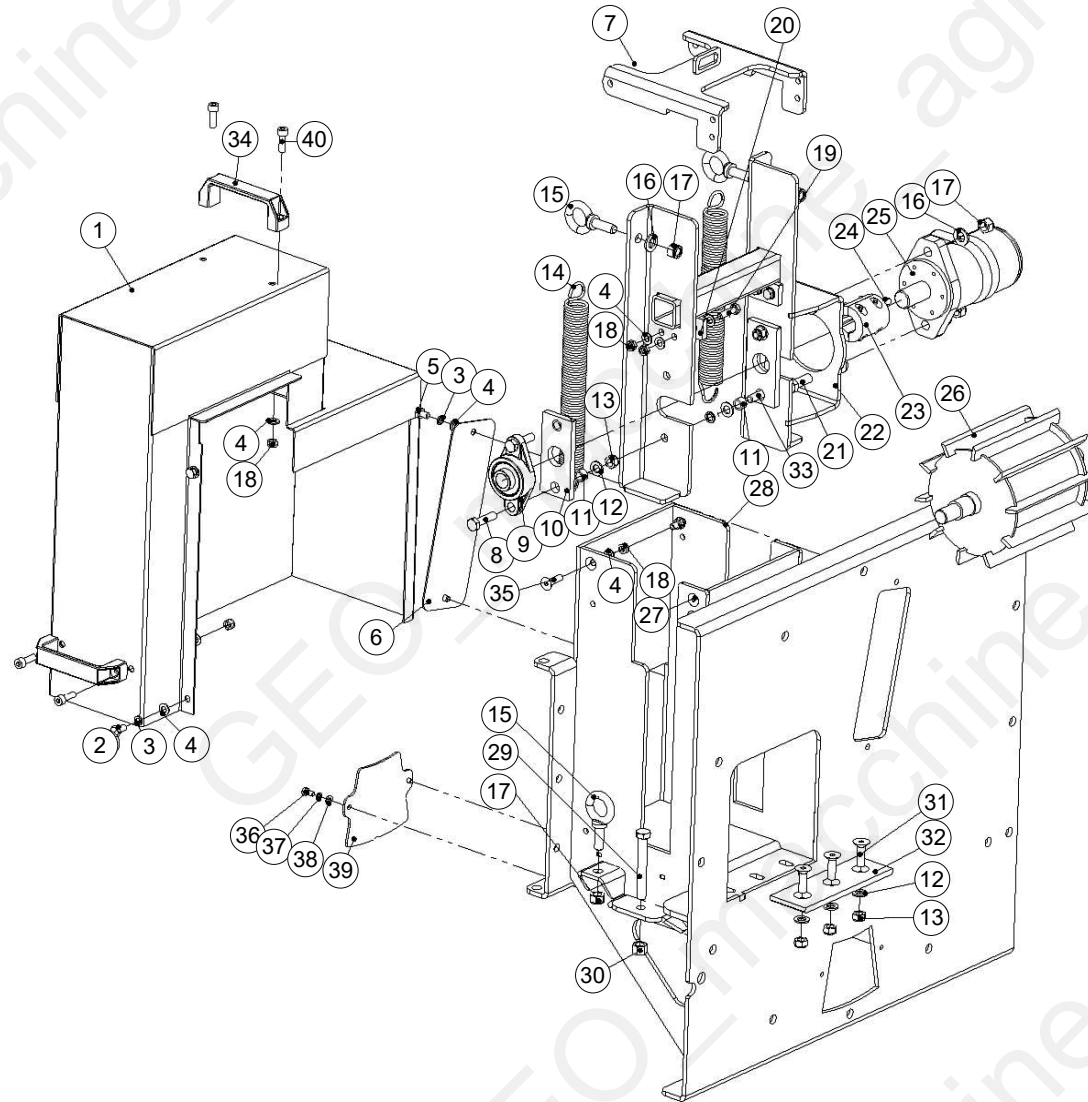
Pos	Code	Description	NOTE	Q.
26	GB/T.95-2002-10	Flat washer 10 × 2		27
27	GB/T.889.1-2000-10	Lock Nut M10		14
28	GB/T.5783-2000-M10x30	Bolt M10×30		5
29	LWC130.101	hydraulic pump guard		1
30	UCF208	Bearing seat UCF208		2
31	GB/T.5783-2000-M14x50	Bolt M14*50		4
32	LWC130.109	Chipper Knife access Cover		1
33	GB/T.5783-2000-M6x12	Bolt M6*12		3
34	GB/T.93-1987-6	Spring washer 6		3
35	GB/T.95-2002-6	Flat washer 6 × 1.6		4
36	LWC130.108	Top access cover		1
37	LWC130.011	Feeding box weldment		1
38	LWC130.022.01	Discharge port weldment		1
39	LWC130.028	Drive shaft tube weldment		1
40	GB/T1096.1979-10×40	Flat key 10×40		1
41	GB/T.5783-2000-M12x45	Bolt M12×45		6
42	GB/T.93-1987-12	Spring washer 12		7
43	GB/T.95-2002-12	Flat washer 12 × 2.5		6
44	LWC130.015	Flywheel weldment		1
45	LWC130.201	Chipper knife		2
46	GB/T.70.3-2000-M10x40	HSCHS M10*40		6
47	LWC130.107	Small cover		2
48	GB/T.5783-2000-M14x55	Bolt M14*55		8
49	GB/T.5783-2000-M10x35	Bolt M10×35		2
50	GB/T.96.2-2002-12×3	Large plain washer 12×3		1

Machine: ECO 30 2016 2018

Assembly: ECO30\_parte 3



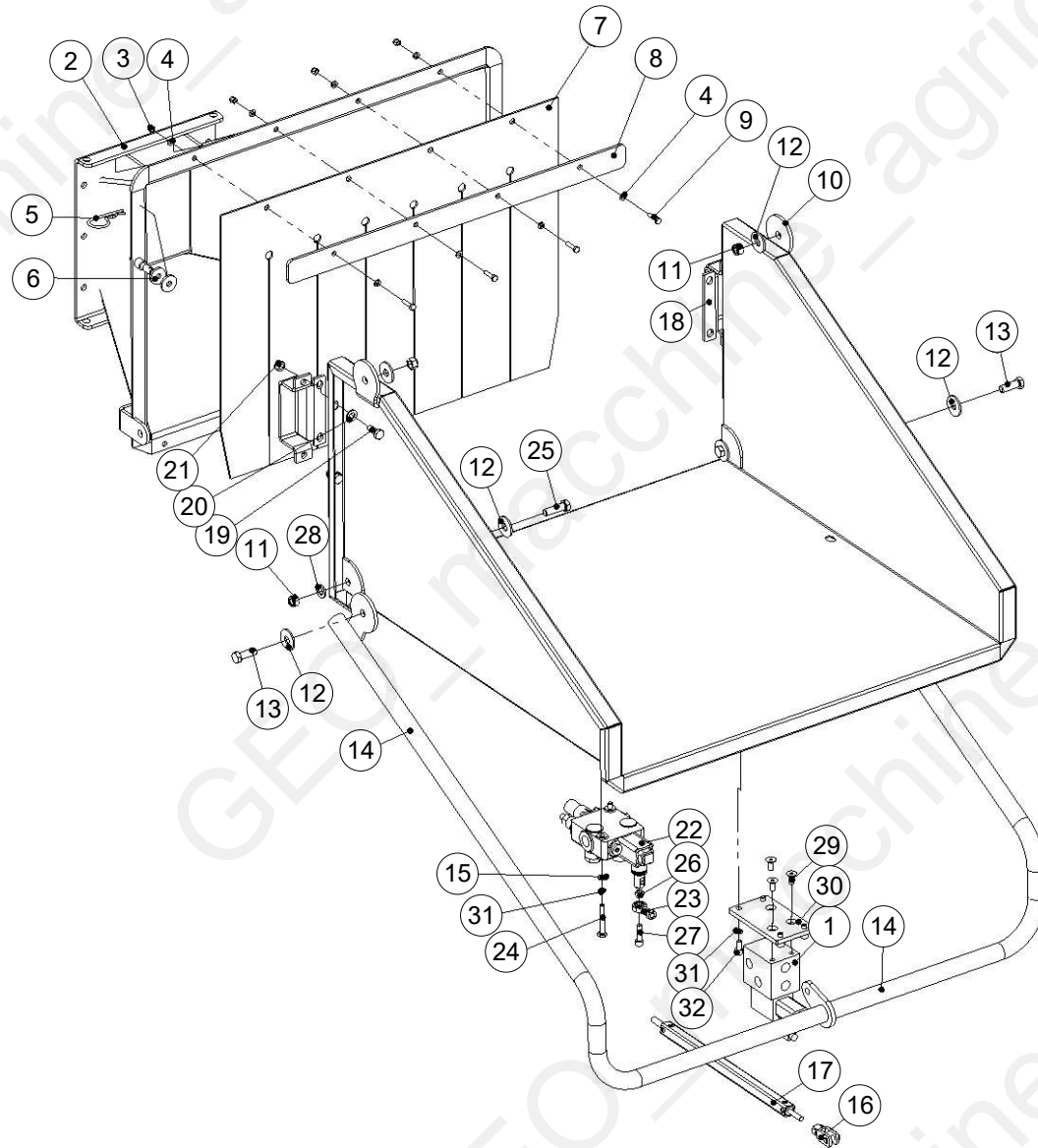
Pos	Code	Description	NOTE	Q.
51	GB/T.5782-M12x130	Bolt M12*130		1





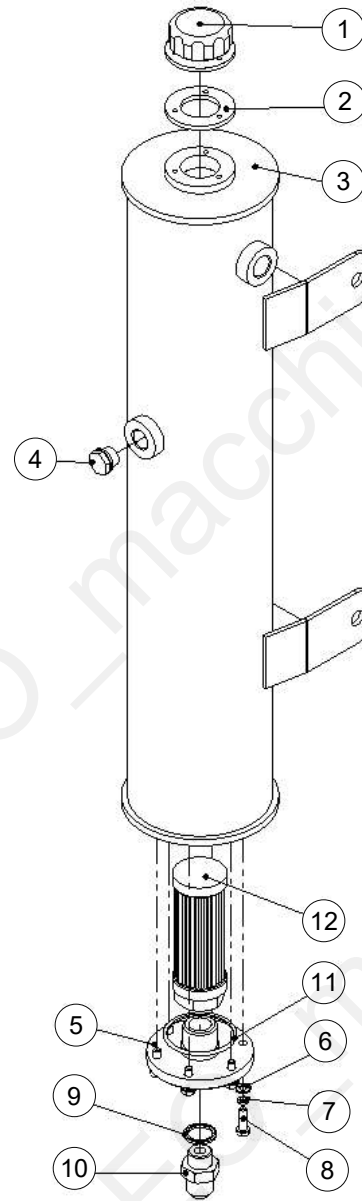
Pos	Code	Description	NOTE	Q.
1	LWC130.025	Hydro-motor guard weldment		1
2	GB/T.5783-2000-M8×16	Bolt M8×16		7
3	GB/T.93-1987-8	Spring washer 8		9
4	GB/T.95-2002-8	Flat washer 8 × 1.6		23
5	GB/T.5783-2000-M8×16	Bolt M8×16		2
6	LWC130.106	Rear access cover		1
7	LWC130.027	Feeding box top cover weldment		1
8	GB/T.5783-2000-M10×40	Bolt M10×40		2
9	UCFL204	BEARING SEAT UCFL204		1
10	LWC130.115	Slider		2
11	LWC130.117	Sleeve		4
12	GB/T.95-2002-10	Flat washer 10 × 2		9
13	GB/T.889.1-2000-10	Lock Nut M10		7
14	LWC130.203	Self-adjusting spring		2
15	M12	Lifting bolt M12		4
16	GB/T.95-2002-12	Flat washer 12 × 2.5		8
17	GB/T.889.1-2000-12	Lock Nut M12		6
18	GB/T.889.1-2000-8	Lock Nut M8		10
19	GB/T.5783-2000-M8×30	Bolt M8×30		4
20	LWC130.116	Wear slider-upper		2
21	GB/T.5783-2000-M12×40	Bolt M12×40		2
22	LWC130.016	Roller bracket weldment		1
23	diam25*8*55	Steel coupling		1
24	BP.GBT2	Flat key 8×32		1
25	155160A6912AAATH	Hydro-motor(Axis is diam 25mm)		1

Pos	Code	Description	NOTE	Q.
26	LWC130.017	Roller weldment		1
27	GB/T.70.3-2000-M8x16	HSCHS M8*16		4
28	LWC130.014	Feeding box weldment		1
29	GB/T.5783-2000-M12x90	Bolt M12×90		2
30	GB/T.41-2000-12	Nut M12		2
31	GB/T.70.3-2000-M10x35	HSCHS M10*35		3
32	LWC130.202	Wear plate ANVIL		1
33	GB/T.5783-2000-M10x30	Bolt M10×30		2
34	LWC130.8-120	Handle 8-120		2
35	GB/T.70.3-2000-M8x30	HSCHS M8*30		2
36	GB/T.5783-2000-M6x12	Bolt M6*12		2
37	GB/T.93-1987-6	Spring washer 6		2
38	GB/T.95-2002-6	Flat washer 6 × 1.6		2
39	LWC130.126	Cleaning cover		1
40	GB/T.70.1-2000-M8x25	SHCS M8*25		4

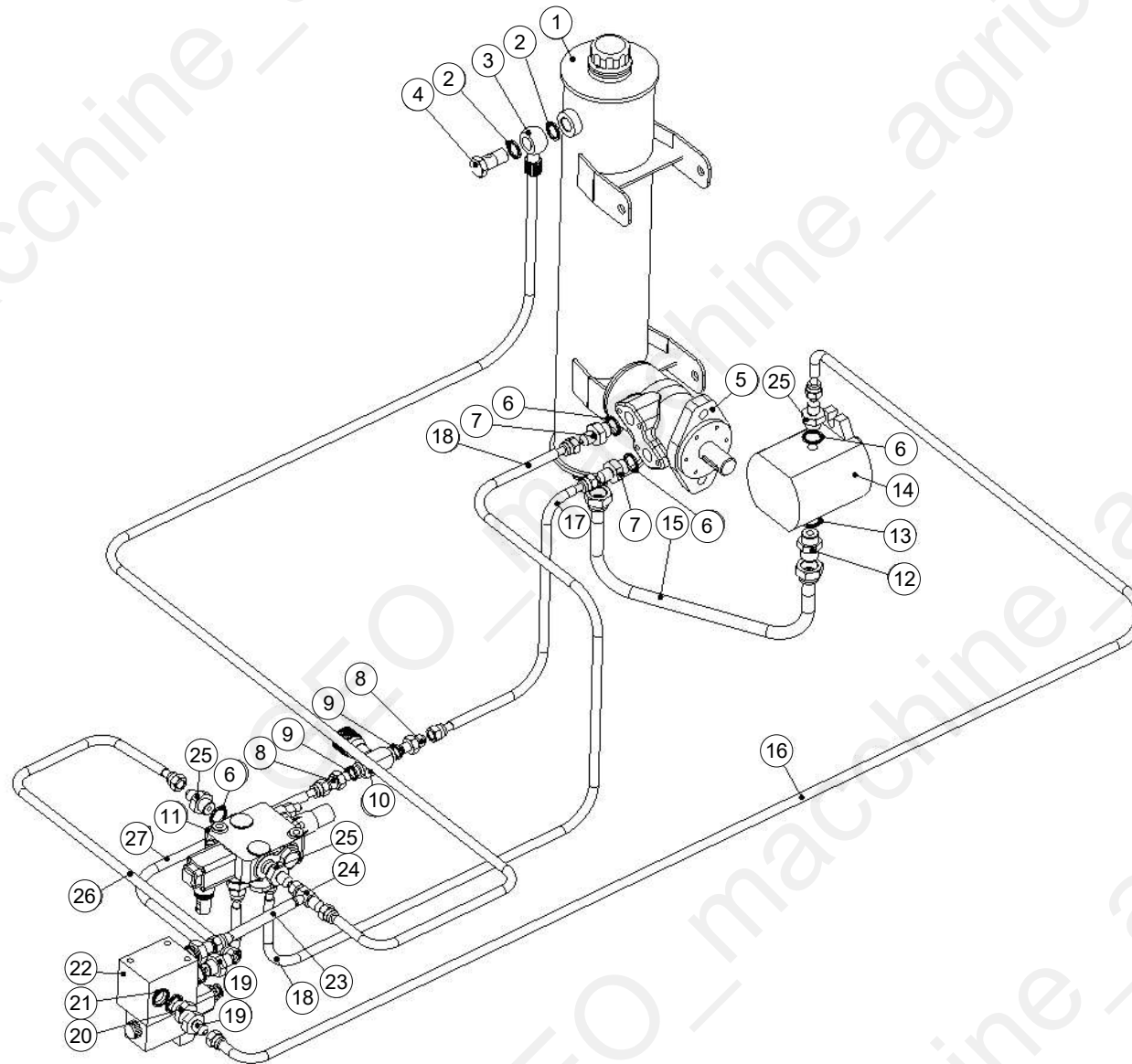


Pos	Code	Description	NOTE	Q.
1	QT15067	Magnetic exchange valve		1
2	LWC130.018	Feeding hopper weldment		1
3	GB/T.889.1	Locknut M6		4
4	GB/T.95-2002-6	Flat washer 6 × 1.6		8
5	diam4	R type pin		1
6	LWC130.114	Rubber washer		2
7	LWC130.113	Blow-back shield		1
8	LWC130.112	Rubber platen		1
9	GB/T.5783-2000-M6x25	Bolt M6x25		4
10	LWC130.019	Hopper weldment		1
11	GB/T.889.1-2000-12	Lock Nut M12		4
12	GB/T.96.2-2002-12×3	Large plain washer 12×3		6
13	GB/T.5783-2000-M12x35	Bolt M12x35		2
14	LWC130.020	Transport Handle		1
15	GB/T.95-2002-8	Flat washer 8 × 1.6		2
16	FK10*20+CL10*20	Connector with spring pin (M10*1.5)		1
17	LWC130.021	Bar weldment		1
18	LWC130.118	hopper Baffle		2
19	GB/T.5783-2000-M10x25	Bolt M10×25		4
20	GB/T.95-2002-10	Flat washer 10 × 2		4
21	GB/T.889.1-2000-10	Lock Nut M10		4
22	HC-M45/1	Selector valve		1
23	GB/T9161-2001	Joining bearing M8(Female)		1
24	GB/T.5783-2000-M8×55	Bolt M8×55		2
25	GB/T.5783-2000-M12x40	Bolt M12x40		2

Pos	Code	Description	NOTE	Q.
26	GB/T.41-2000-8	Nut M8		1
27	GB/T.70.1-2000-M8x30	HSCS-Cap M8×30		1
28	GB/T.95-2002-12	Flat washer 12 × 2.5		2
29	GB/T.70.3-2000-M8x20	Hexagon socket head screws M8 × 20		3
30	LWC130.125	Mounting plate		1
31	GB/T.93-1987-8	Spring washer 8		6
32	GB/T.70.1-2000-M8x16	Hexagonal countersunk head screw M8×16		4



Pos	Code	Description	NOTE	Q.
1	QUQ1_1	Air cleaner		1
2	QUQ1_2	Rubber shim		1
3	LWC130.013	Oil tank weldment		1
4	JB/T941.1995	Sight glass 16*1.5		1
5	FCR200P.214	Oil joint		1
6	GB/T.95-2002-6	Flat washer 6 × 1.6		6
7	GB/T.93-1987-6	Spring washer 6		6
8	GB/T.5783-2000-M6x20	Bolt M6*20		6
9	BS/A19.60(UNF3/4)	Combined sealing gaskets(Automatic core)		1
10	FCR200P.218	Oil connection 2		1
11	OD.58*.Thk.3	O Ring		1
12	WU-40*100J	Built-in filter		1





Pos	Code	Description	NOTE	Q.
1	LWC130.013	Oil tank weldment		1
2	M18	Combined sealing gaskets 18		2
3	LWC130.206	Oil return pipe		1
4	M18*1.5	Hollow bolt		1
5	155160A6912AAATH	Hydro-motor(Axis is diam 25mm)		1
6	BS/A19.60(UNF3/4)	Combined sealing gaskets(Automatic core)		7
7	W.BX42B.126	Motor adapter		2
8	LWC130.210	Throttle valve connector		2
9	BS/A13.70(G1/4)	Combined sealing gaskets(Automatic core)1/4		2
10	STU.G1\4	One-way throttle valve G1\4		1
11	HC-M45/1	Selector valve		1
12	W.BX42B.130	Inlet connector		1
13	BS/A23.50G5/8.UNF7/8	Combined sealing gaskets(Automatic core)		1
14	L37_7/8.14U_3/4.16U	L37(in.7/8.14UNF_out.3/4.16UNF)left-handed		2
15	LWC130.204	Inlet pipe for the pump		1
16	LWC130.205D	Inlet pipe for Magnetic exchange valve		1
17	LWC130.207	Motor inlet pipe 1		1
18	LWC130.209	Motor oil return pipe		1
19	LWC130.315D	Connector for Magnetic exchange valve		3
20	W.BX42B.123	Valve fitting connector		1
21	BS/A19.60(UNF3/4)	Combined sealing gaskets(Automatic core)		4
22	QT15067	Magnetic exchange valve		1
23	LWC130.310D	Oil return pipe for Magnetic exchange valve		1
24	LWC130.313	Tee fitting		1
25	W.BX42B.123	Valve fitting connector		5

Pos	Code	Description	NOTE	Q.
26	LWC130.311D	inlet pipe for Magnetic exchange valve		1
27	LWC130.208	Motor inlet pipe 2		1

## KIT\_Protezione



1



Machine: KIT\_Protezione

Assembly: KIT\_PROT



Pos	Code	Description	NOTE	Q.
1	ECO.00.01	KIT Protezione Cuffie		1