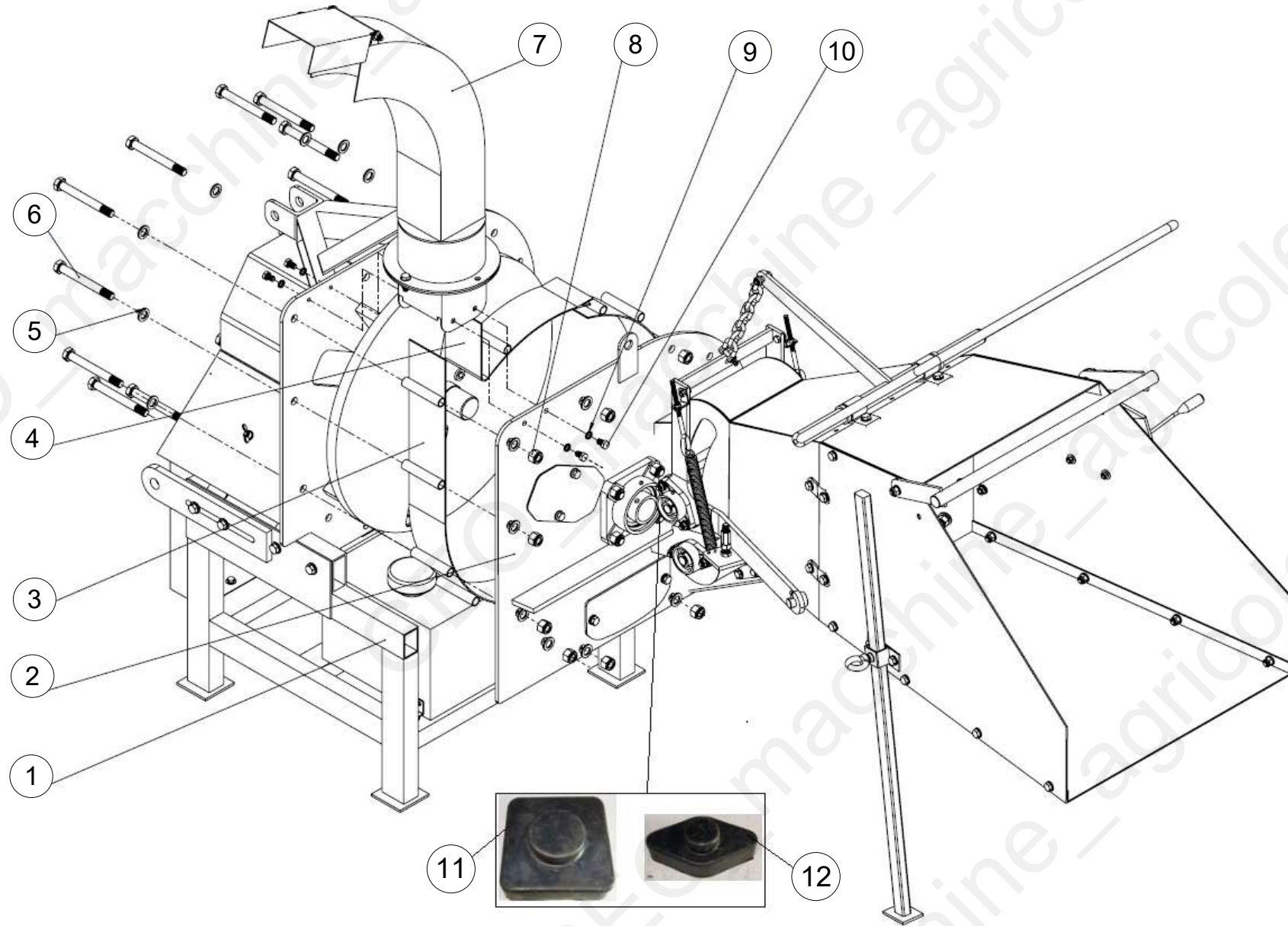


ECO 17H

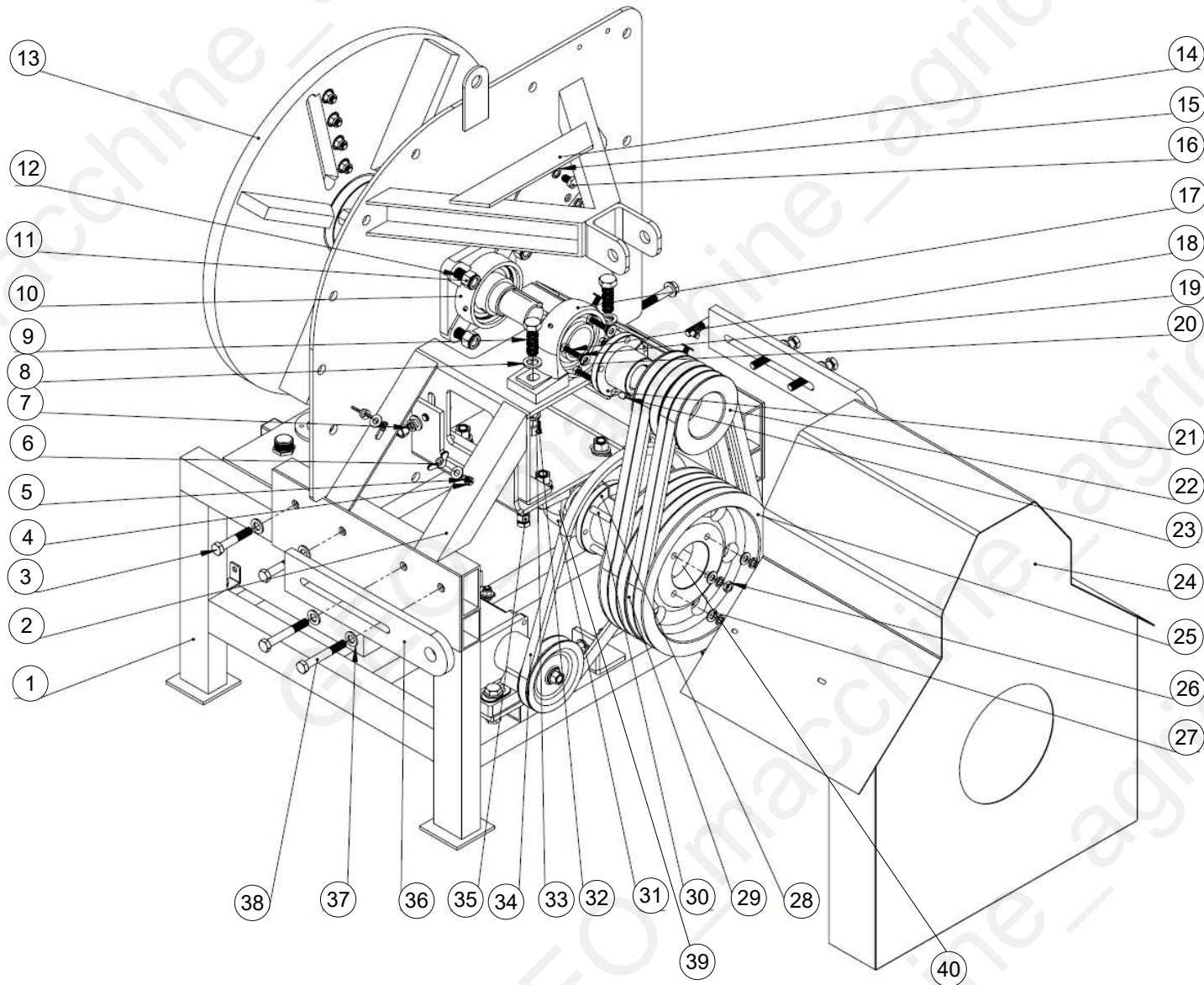


Table of Contents

Tavola	Page
ECO17H_parte 5	3
ECO17H_parte 3	5
ECO17H_parte 1	8
ECO17H_parte 2	10
ECO17H_parte 4	12
ECO17H_parte 6	15
KIT_Protezione	17

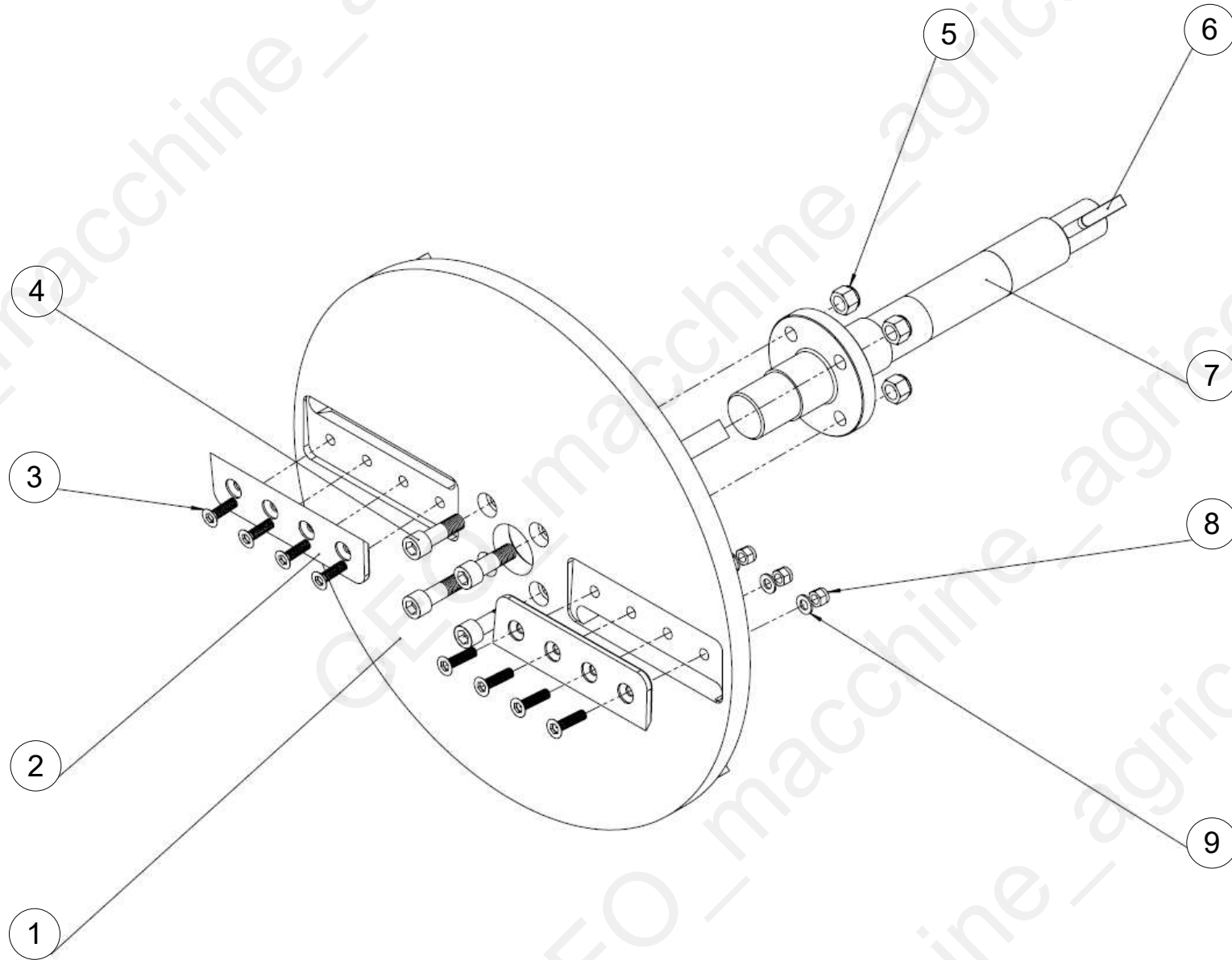


Pos	Code	Description	NOTE	Q.
3	F-TY01	Protective Cover Weldment		1
4	F-TY02	Protective Connected Cover Weldment		1
5	GB/T.95-2000-16	WASHER 16		26
6	GB/T5782-2000-M16x140	BOLT M16x140		13
7	F-TY03	Discharge Spout Assembly		1
8	GB/T.889.1-2000-16	Lock Nut M16		13
9	GB/T.93-1987-10	Spring washer 10		4
10	GB/T5781-2000-M10x16	BOLT M10x16		4
11	ECO17H.4.018	Bearing Rubber Cover big		1
12	ECO17H.4.019	Bearing Rubber Cover small		1



Pos	Code	Description	NOTE	Q.
2	F-TY001	Drive System Support Weldment		1
3	GB/T.5782-2000-M12x65	BOLT M12x65		4
4	GB/T.6170-2000-8	NUT 8		5
5	GB/T.5781-2000-M8x25	BOLT M8x25		5
6	GB/T.62.1-2004.8	Butterfly Nut 8x1		4
7	GB/T.93-1987-12	Spring washer 12		14
8	GB/T.95-2000-16	WASHER 16		4
9	GB/T.5782-2000-M16x50	BOLT M16x50		2
10	GB/T.7810-1995-F210	BEARING F210		1
11	GB/T.889.1-2000-16	Lock Nut M16		4
12	GB/T.68-2000-16x40	SCREW M16x40		4
14	F-TY05	BLADE REPLACE COVER		1
15	GB/T.93-1987-10	Spring washer 10		6
16	GB/T5781-2000-M10x16	BOLT M10x16		2
17	GB/T.7810-1995-P210	Bearing P210		1
18	GB/T.5781-2000-M8x35	BOLT M8x35		4
19	GB/T.93-1987-8	Spring washer 8		5
20	GB/T97.1-2002-8	Plain washer 8		10
21	F-T06	Small Internal Swell able Sleeve		1
22	F-T07	Small Pulley		1
23	GB/T.5782-2000-M12x40	BOLT M12x40		8
24	ECO17H.3.024	BEARING CAGE (T)		1
25	F-T09	Big Pulley		1
26	GB/T.6170-2000-10	NUT 10		4
27	GB/T97.1-2002-10	Plain washer 10		4

Pos	Code	Description	NOTE	Q.
28	F-T10	Big Internal Swell able Sleeve		1
29	F-TY16	BELT-B1168		4
30	GB/T.5782-2000-M10x75	BOLT M10x75		4
31	FRD-TY-005	Drive input System		1
32	GB/T.93-1987-16	Spring washer 16		2
33	GB/T.41-2000-16	Nut M16		2
34	F-TH04	BELT-B1092		1
35	GB/T.41-2000-12	Nut M12		16
36	F-TY04	FORK ARM		2
37	GB/T.95-2000-12	WASHER 12		28
38	GB/T.5782-2000-M12x85	BOLT M12x85		4
39	GB/T.7810-1995-L207	BEARING UCFL207		2
40	FYT-06-01	Input shaft		1

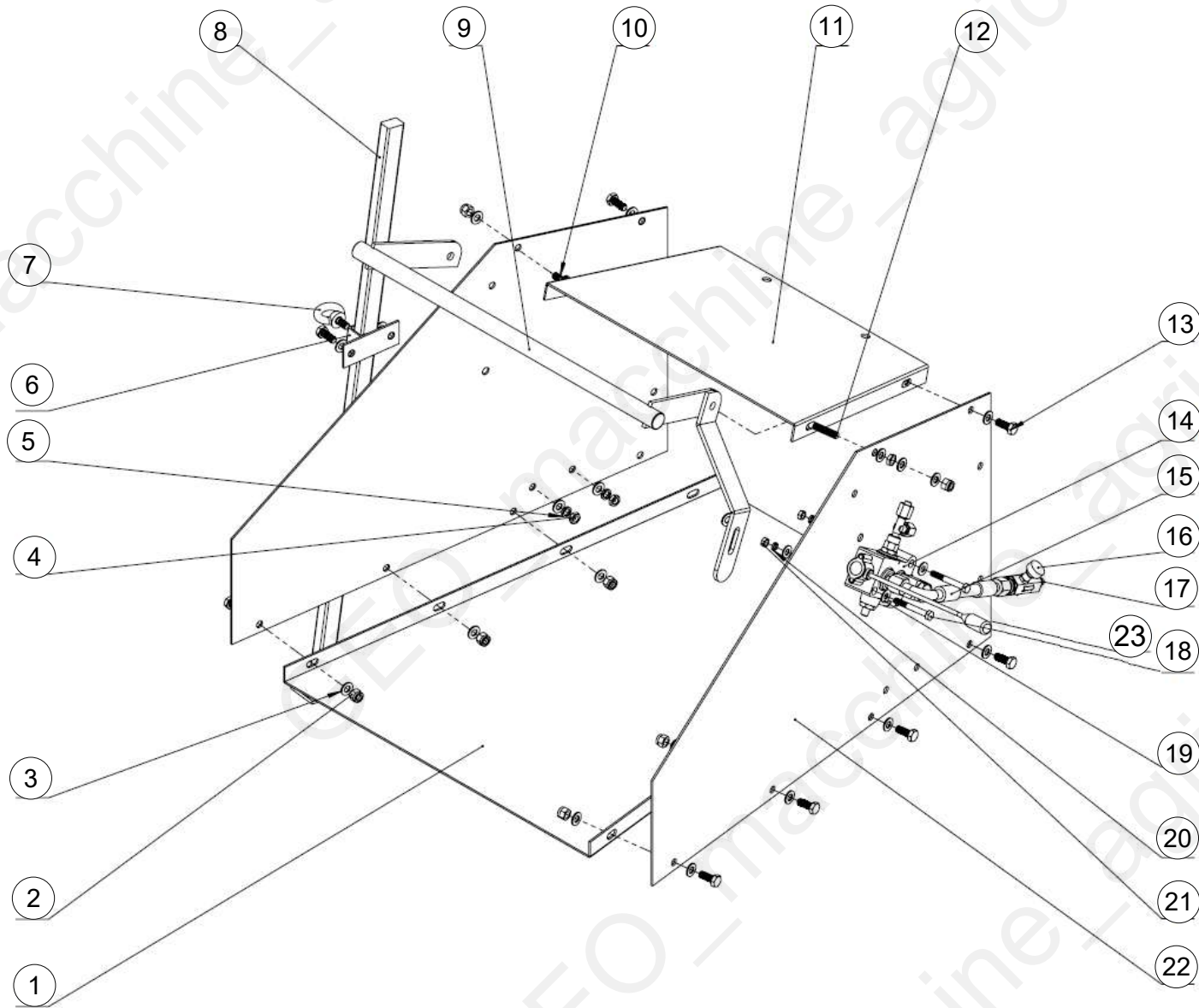


Machine: ECO 17H

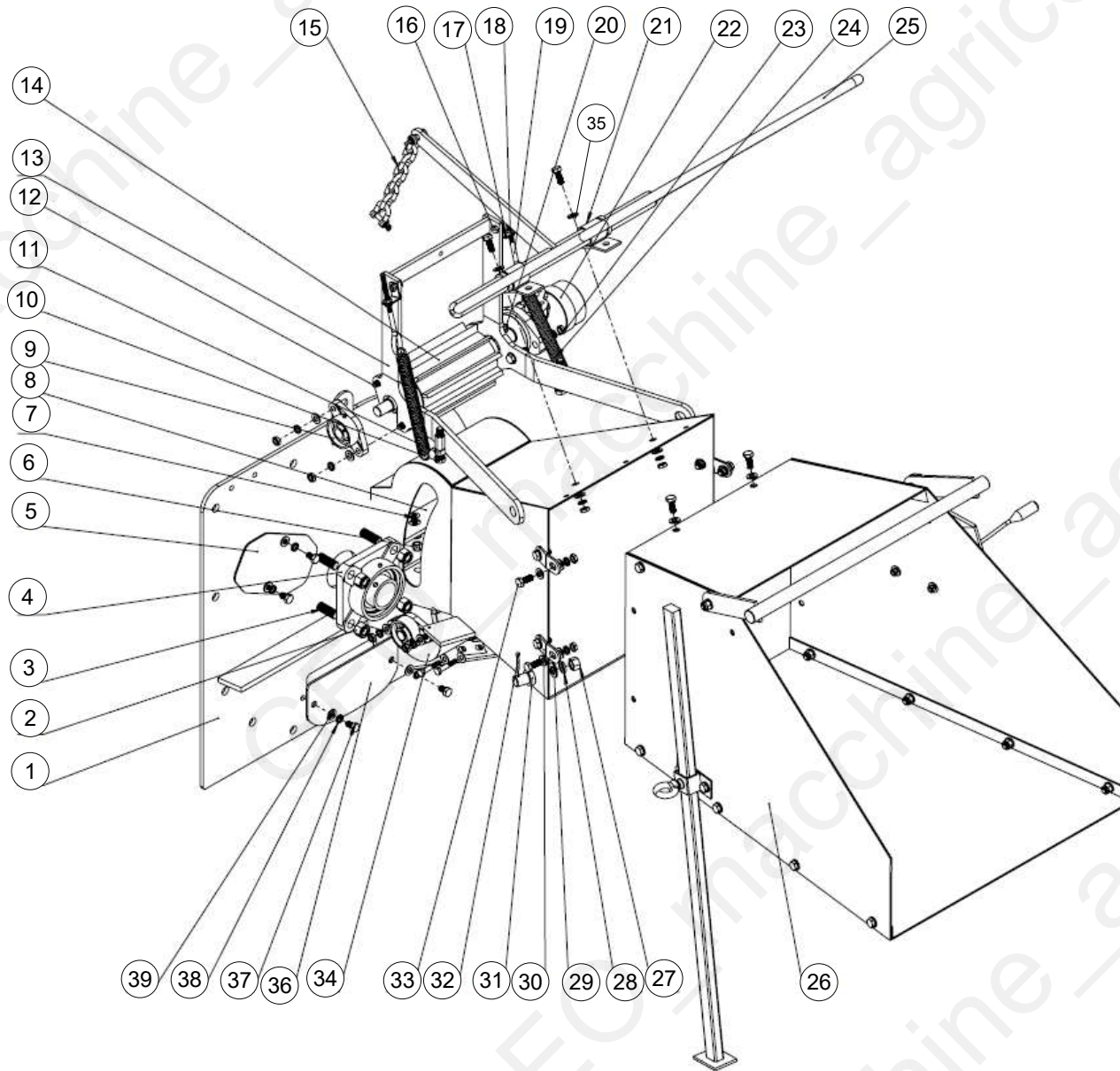
Assembly: ECO17H_parte 1



Pos	Code	Description	NOTE	Q.
1	F-TY18-1	CHIPPER DISK		1
2	F-TY06	Blade		2
3	GB/T68-2000-M10x40	SCREW M10×40		8
4	GB/T.71-2000-16x50	Screws socket head M16×50		4
5	GB/T.889.1-2000-16	Lock Nut M16		4
6	GB/T.1096-2003-12x55	Keys C12×55		1
7	F-TH07	Inner Drive Shaft(H)		1
8	GB/T.889.1-2000-10	Lock Nut M10		8
9	GB/T97.1-2002-10	Plain washer 10		8

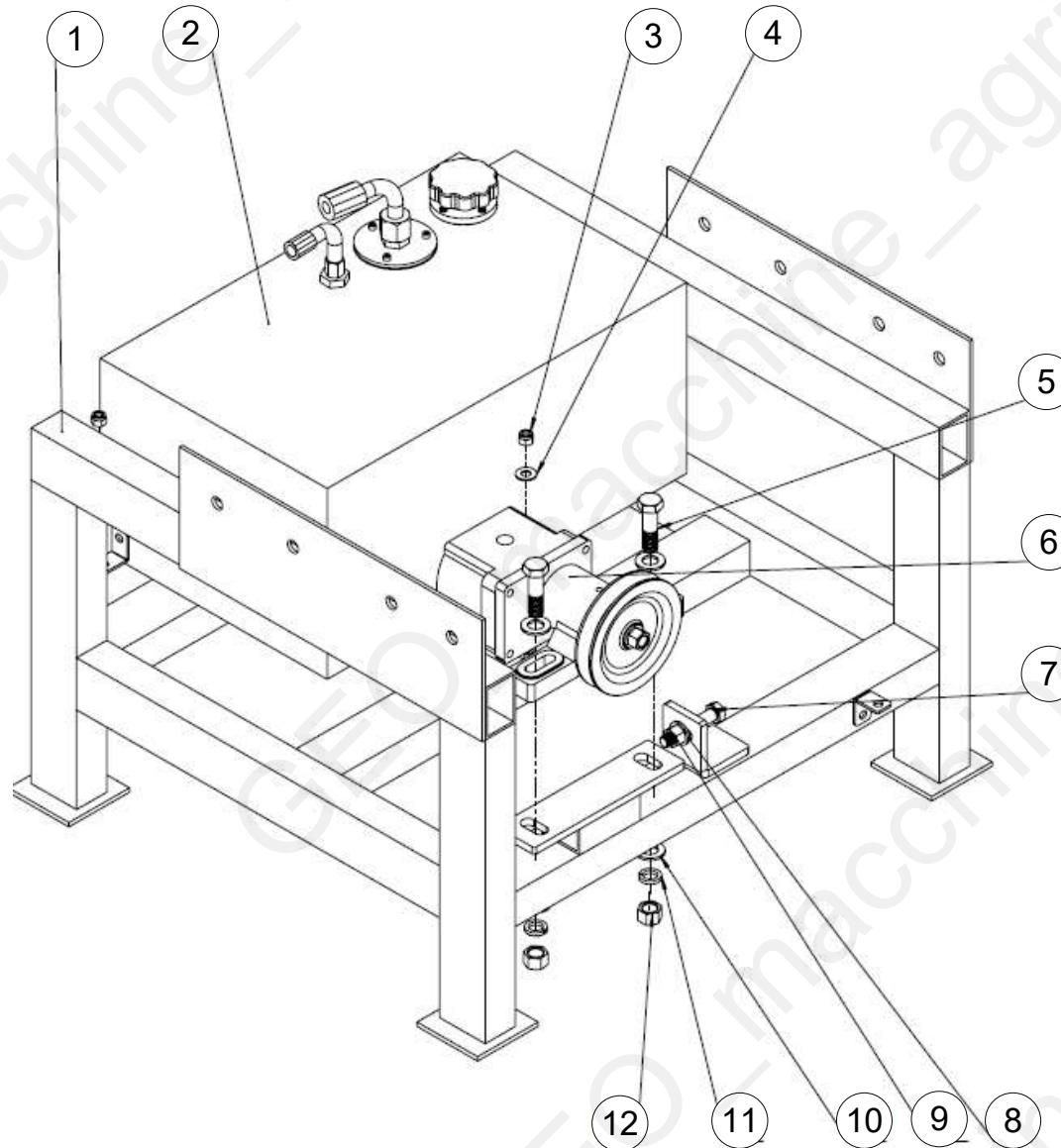


Pos	Code	Description	NOTE	Q.
1	ECO17H.2.001	LOWER PLATE		1
2	GB/T.889.1-2000-10	Lock Nut M10		12
3	GB/T97.1-2002-10	Plain washer 10		32
4	GB/T.6170-2000-10	NUT 10		4
5	GB/T.93-1987-10	Spring washer 10		2
6	ECO17H.2.006	Support bar stents		1
7	ECO17H.2.007	Ring bolt M10×20		1
8	F-TY17.01	Support Bar		1
9	ECO17H.2.009	Safety Bar		1
10	GB/T5781-2000-M10×40	BOLT M10×40		1
11	ECO17H.2.011	TOP PLATE		1
12	ECO17H.2.012	BOLT 10×50		1
13	GB/T5781-2000-M10×25	BOLT M10×25		12
14	ECO17H.2.014	REVERSING VALVE UNIT		1
15	ECO17H.2.015	Hydraulic tube and joint 8×200		1
16	ECO17H.2.016	One-way Throttle Valve		1
17	ECO17H.2.017	Pipe Joint 4		2
18	GB/T5781-2000-M8x60	BOLT M8×60		2
19	GB/T97.1-2002-8	Plain washer 8		4
20	GB/T.93-1987-8	Spring washer 8		2
21	GB/T.6170-2000-8	NUT 8		2
22	ECO17H.2.022	Side plate		2
23	ECO17H.2.023	Handle		1



Pos	Code	Description	NOTE	Q.
1	ECO17H.4.001	Infeeding System Support(H)		1
2	GB/T.889.1-2000-16	Lock Nut M16		4
3	GB/T.68-2000-16x40	SCREW M16x40		4
4	GB/T.7810-1995-F210	BEARING F210		1
5	F-TY05	BLADE REPLACE COVER		1
6	GB/T.889.1-2000-10	Lock Nut M10		4
7	GB/T.68-2000-10x30	SCREW M10x30		3
8	F-TY-P20	ANVIL - CounterKnife		1
9	GB/T.7810-1995-FL204	BEARING FL204		2
10	GB/T.5783-2000-M12x65	Bolt M12x65		2
11	GB/T.41-2000-12	Nut M12		2
12	GB/T5781-2000-M10x40	BOLT M10x40		8
13	F-TH05	Hanger(TH)		1
14	F-TH06	ACTIVE FEEDING ROLLER(H)		1
15	F-TY10	Chain Assembly		1
16	GB/T.5781-2000-M8x16	BOLT M8x16		2
17	F-TY09	Spring Lifting Eye		2
18	GB/T.6170-2000-8	NUT 8		8
19	F-TY08	STRENGTH BOLT M8x125		2
20	ECO17H.4.020	Key C8-40		2
21	F-TY17	Fixed set		2
22	ECO17H.4.022	Hydraulic motor		2
23	GB/T.6170-2000-10	NUT 10		20
24	F-TY-P07	TENSION SPRING		2
25	F-TY12	Feed-roller Control Bar		1

Pos	Code	Description	NOTE	Q.
27	GB/T.6170-2000-14	NUT 14		2
28	GB/T.93-1987-14	Spring washer 14		2
29	GB/T97.1-2002-14	Plain washer 14		2
30	F-TY-P13	CHUTE CONNECTION PLATE		4
31	F-TY-P14	Rotary Axis		2
32	GB/T91-2000/4x28	Cotter pin 4x28		2
33	GB/T5781-2000-M10x25	BOLT M10x25		12
34	ECO17H.4.040	FIXED FEEDING ROLLER		1
35	GB/T97.1-2002-8	Plain washer 8		4
36	F-TY15	CLEAR-OUT DOOR		1
37	GB/T5781-2000-M10x16	BOLT M10x16		4
38	GB/T.93-1987-10	Spring washer 10		24
39	GB/T97.1-2002-10	Plain washer 10		41



Machine: ECO 17H

Assembly: ECO17H_parte 6



Pos	Code	Description	NOTE	Q.
1	ECO17H.6.001	SUPPORTING FRAME -H		1
2	ECO17H.6.002	Hydraulic fluid reservoir(T)		1
3	GB/T.6184-2000-8	LOCKNUT 8		3
4	ECO17H.6.004	WASHER 8		3
5	ECO17H.6.005	BOLT M14×50		2
6	ECO17H.6.006	PUMP ASSEMBLY		1
7	GB/T.5782-2000-M12x65	BOLT M12×65		1
8	GB/T.95-2000-12	WASHER 12		2
9	GB/T.41-2000-12	Nut M12		2
10	ECO17H.6.010	WASHER14		4
11	GB/T.93-1987-14	Spring washer 14		2
12	GB/T.6170-2000-14	NUT 14		2

KIT_Protezione



1



Machine: KIT_Protezione

Assembly: KIT_PROT



Pos	Code	Description	NOTE	Q.
1	ECO.00.01	KIT Protezione Cuffie		1