

BH5



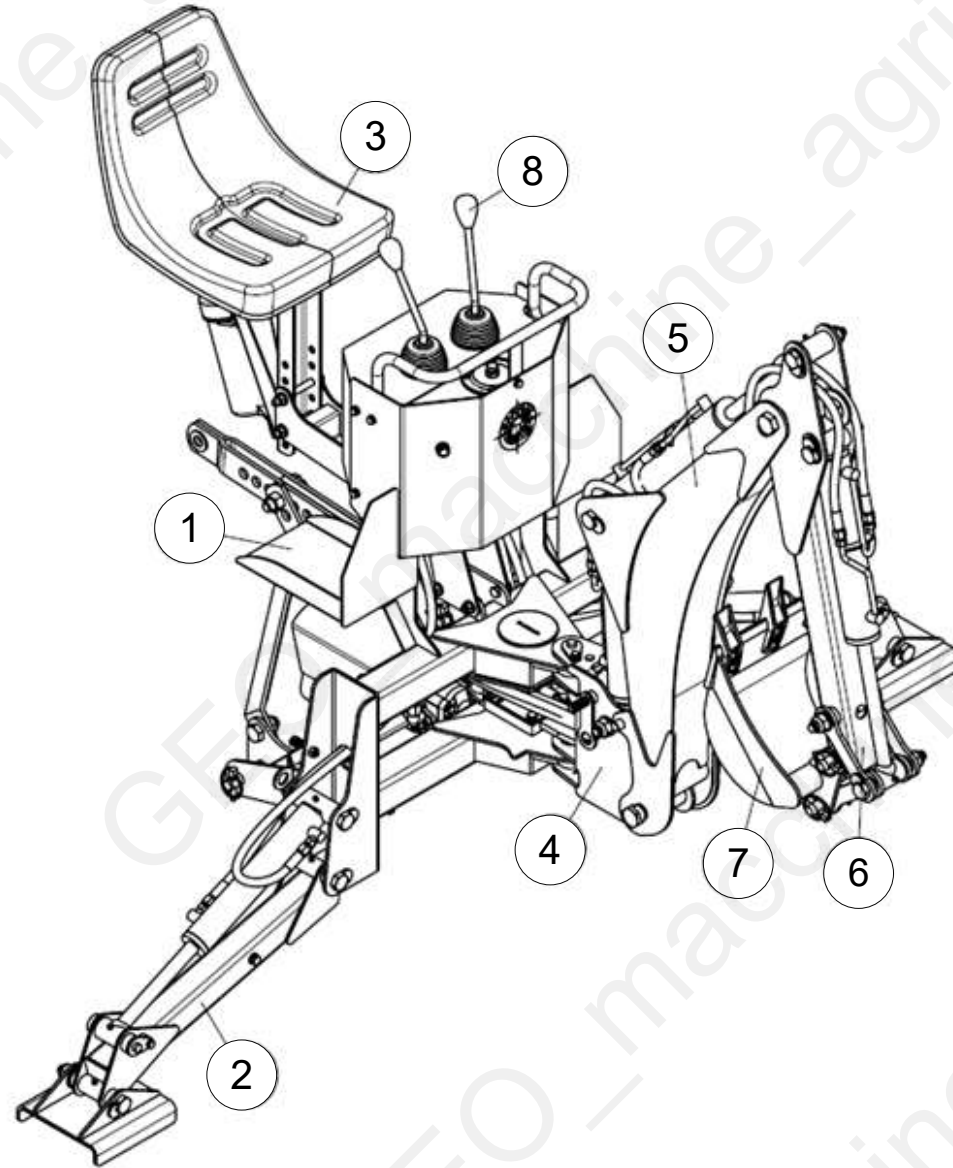
GEO Italy S.R.L.

Table of Contents

Tavola	Page
BH5-HS	3
BH5-HS-X	27
BH5_2011_2018	52

BH5-HS



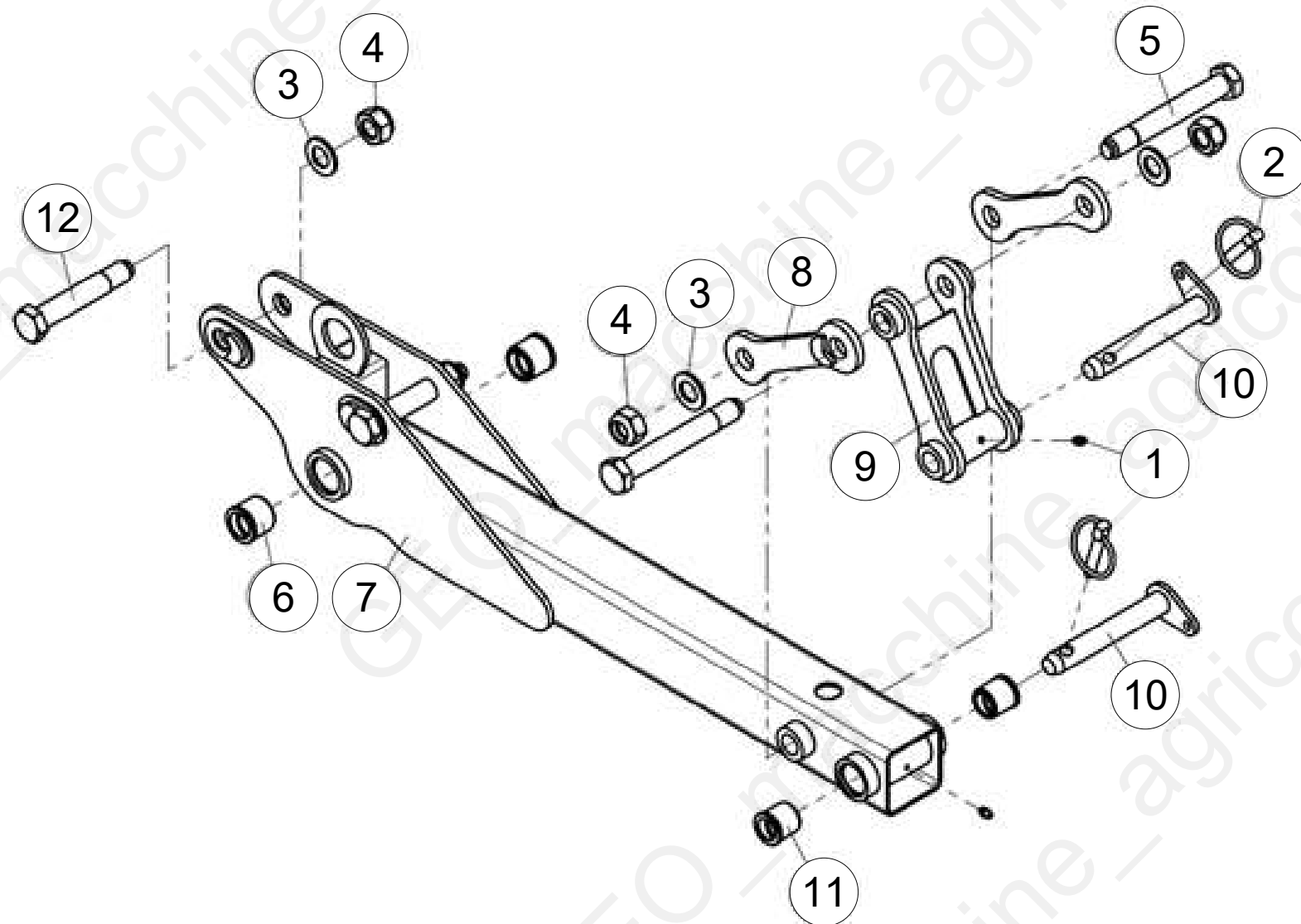


Machine: BH5-HS

Assembly: BH5-HS_PARTE1



Pos	Code	Description	NOTE	Q.
3	MBH-5.07.001	Seat Assembly		1

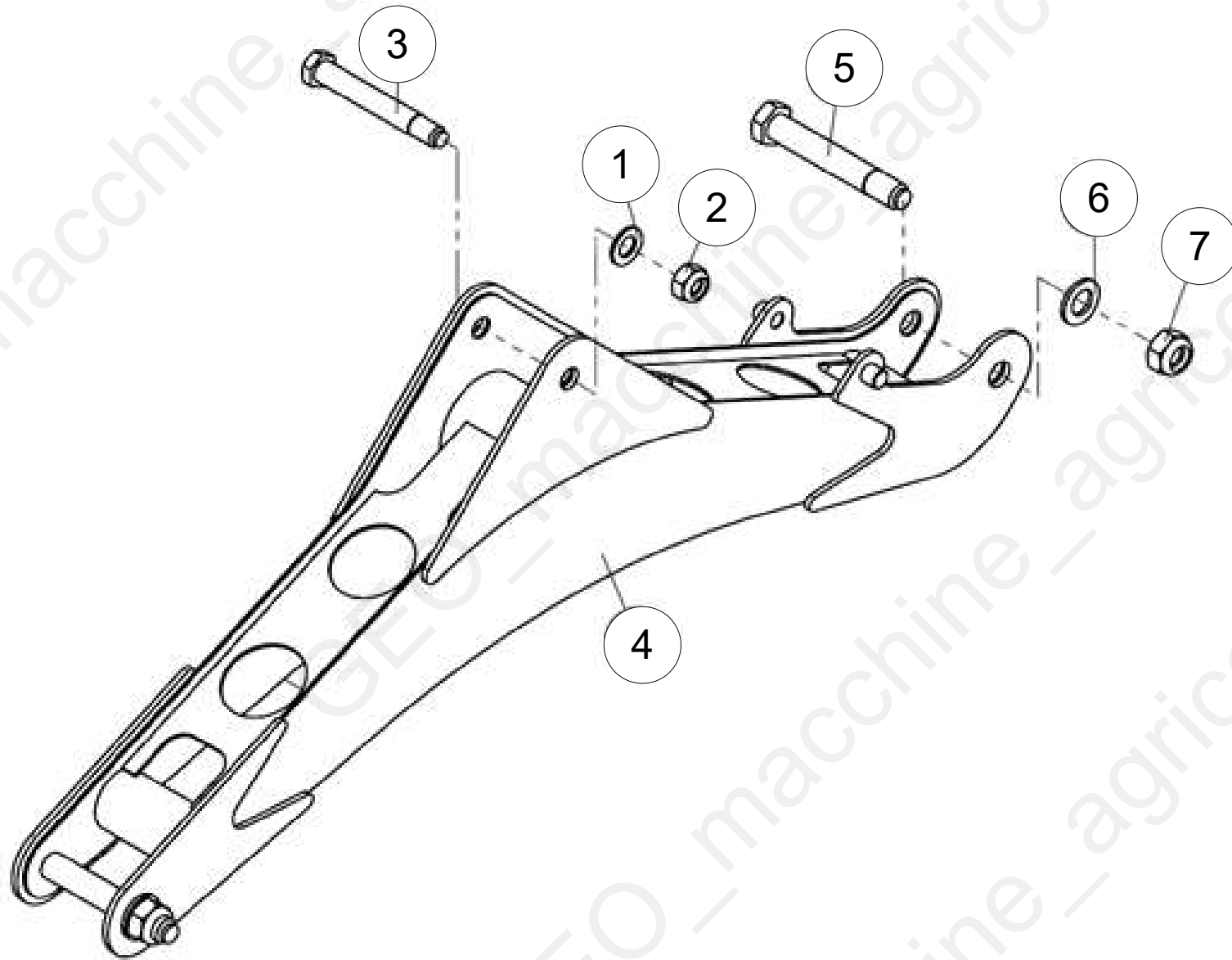


Machine: BH5-HS

Assembly: BH5-HS_PARTE2



Pos	Code	Description	NOTE	Q.
1	GB1152-M6	Grease Nipple M6		4
2	200.56.011	Lock pin		2
3	GB97.1-20	Plain washer 20		4
4	DIN985-M20	nut M20		4
5	GB27-M20X150	Bolt M20X150		2
6	BH-3.02.102-1	bush		2
7	BH-3.02.011-1	Arm weldment		1
8	BH-3.02.012	link bucket		2
9	BH-3.02.014	linkage		1
10	BH-3.02.015	pin		2
11	BH-3.02.101-1	bush		2
12	GB27-M20X120	Bolt M20X120		2

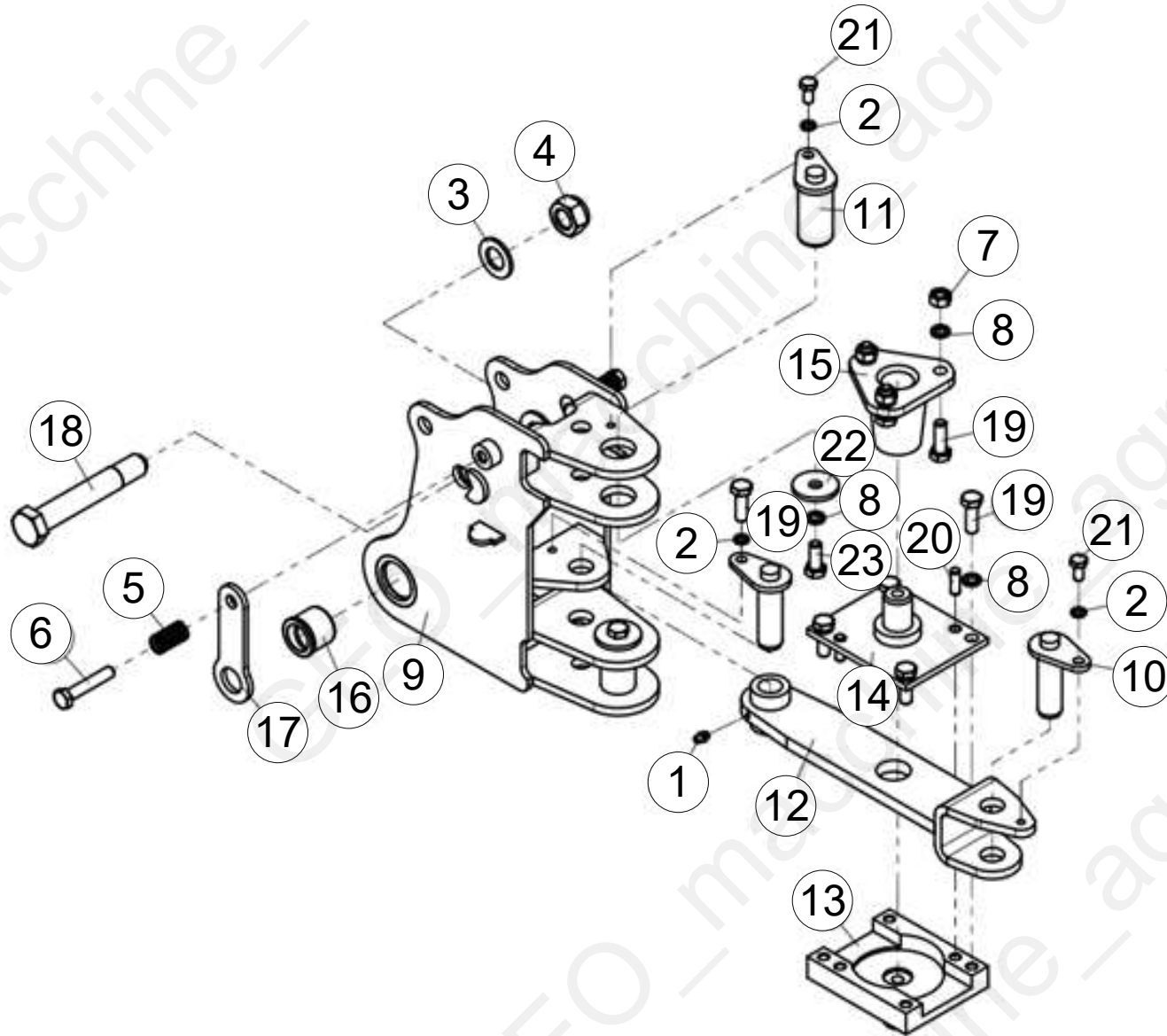


Machine: BH5-HS

Assembly: BH5-HS_PARTE3



Pos	Code	Description	NOTE	Q.
1	GB97.1-20	Plain washer 20		1
2	DIN985-M20	nut M20		1
3	GB27-M20X150	Bolt M20X150		1
4	BH-3.03.011-1	Long Arm weldment		1
5	GB27-M24X160	Bolt M24X160		2
6	GB97.1-24	Plain washer 24		2
7	DIN985-M24	nut m24		2

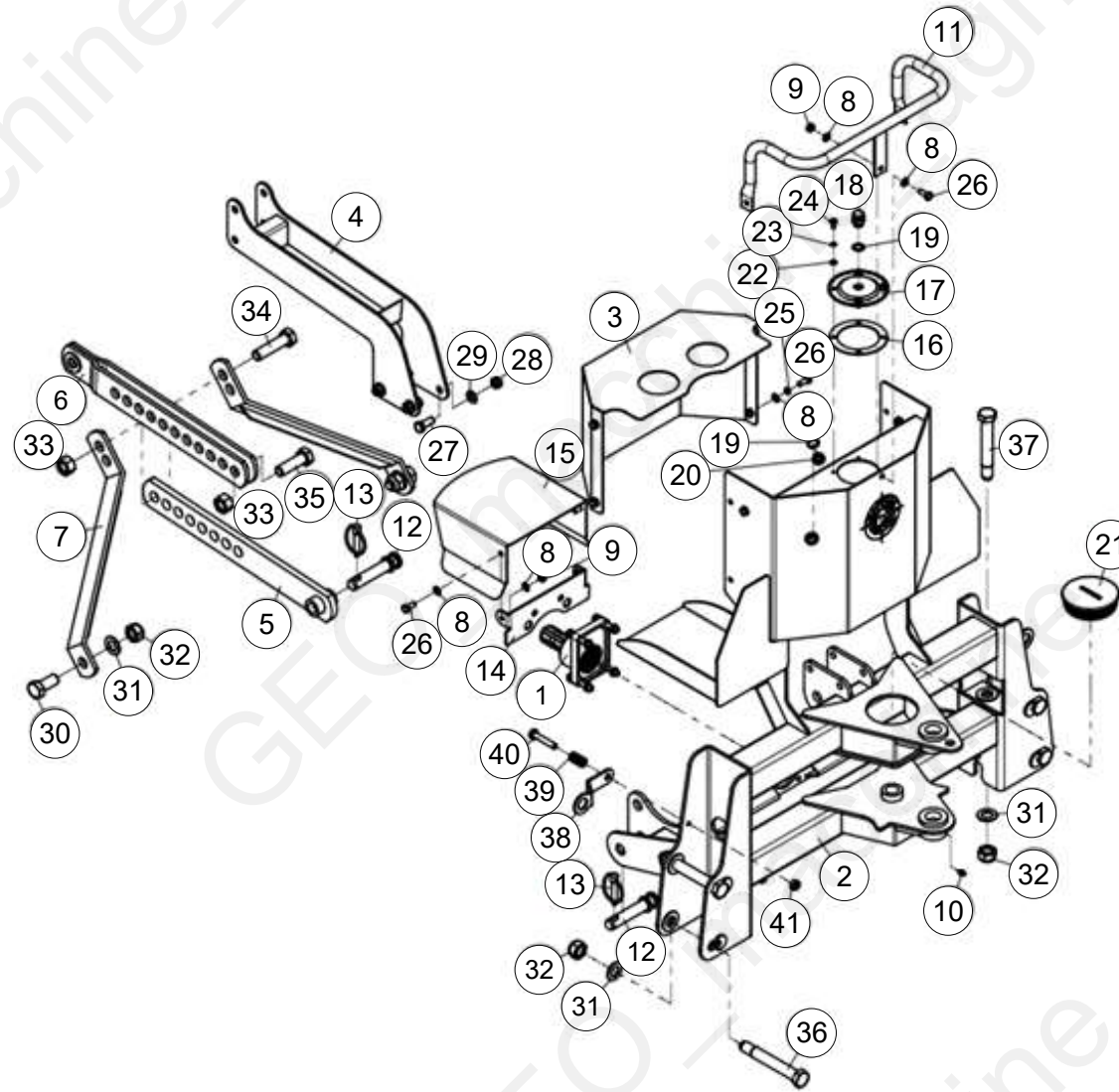


Machine: BH5-HS

Assembly: BH5-HS_PARTE4



Pos	Code	Description	NOTE	Q.
1	GB1152-M6	Grease Nipple M6		2
2	GB93-8	Spring washer 8		4
3	GB97.1-20	Plain washer 20		1
4	DIN985-M20	nut M20		1
5	BH-6.05.107	Spring		2
6	GB5782-M10X55	Bolt M10x55		2
7	GB6170-M10	Nut 10		3
8	GB93-10	spring washer 10		8
9	BH-3.04.011-1	Swing assembly		1
10	BH-3.04.013	pin		2
11	BH-3.04.014	pin		2
12	BH-3.04.015	swing support		1
13	BH-3.04.016	lower seat swing support		1
14	BH-3.04.017	upper seat swing support		1
15	BH-3.04.105	pin support		1
16	BH-3.02.102-1	bush		2
17	BH-3.04.108	plate		2
18	GB27-M20X130	Bolt M20X130		1
19	GB5783-M10X30	Bolt M10X30		8
20	GB119.1-B-8X24	B8x24 PIN		2
21	GB5783-M8X16	bolt M8X16		3
22	WCR90-00012	round plate		2
23	GB5783-M10X25	Bolt M10X25		2



Machine: BH5-HS

Assembly: BH5-HS_PARTE5



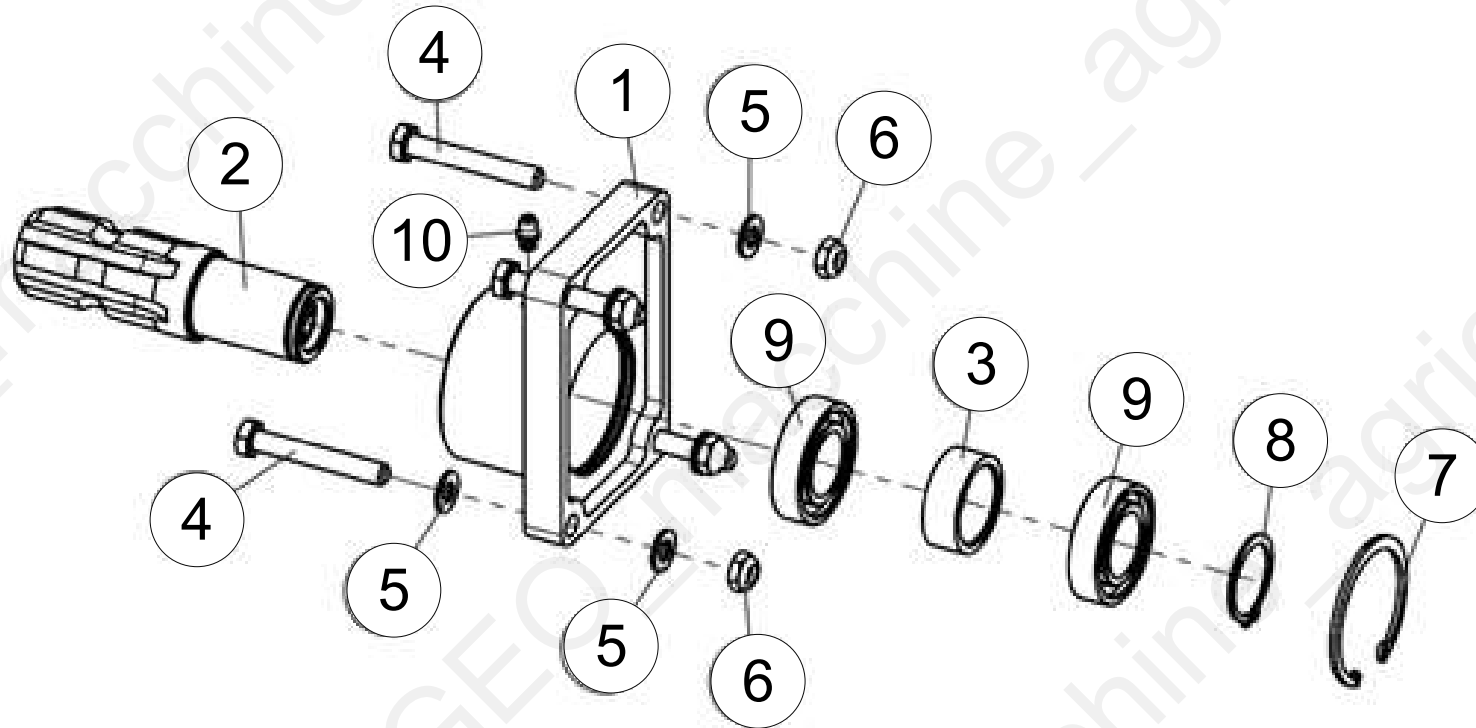
Pos	Code	Description	NOTE	Q.
2	BH-3.05.011	Frame Assembly		1
3	BH-3.05.012	Cover		1
4	BH-3.05.013	Arm Support		1
5	BH-3.05.014	Left linkage		1
6	BH-3.05.015	Top Linkage		1
7	BH-3.05.016	Right linkage		2
8	GB97.1-8	Plain washer 8		14
9	DIN985-M8	nut M8		5
10	GB1152-M6	Grease Nipple M6		2
11	BH-3.05.018	Handle Cover		1
12	BH-3.05.105	pin		3
13	200.56.011	Lock pin		3
14	WCX5-0105	Pto Cover2		1
15	WCX5-0106	Pto Cover1		1
16	MBH-8.08.118	Washer		1
17	MBH-8.08.117	Combination washer		1
18	CBW-00-011	breath plug		1
19	JB982-16	Combined oil seal 16		2
20	JB7941.2-M16X1.5			1
21	ZL-DF654-170	end cap		1
22	GB97.1-6	Plain washer 6		4
23	GB93-6	spring washer 6		4
24	GB5783-M6X12	bolt M6X12		4
25	GB93-8	Spring washer 8		4
26	GB5783-M8X20	bolt M8X20		9

Machine: BH5-HS

Assembly: BH5-HS_PARTE5



Pos	Code	Description	NOTE	Q.
27	GB5783-M12X30	Bolt M12X30		4
28	DIN985-M12	nut M12		4
29	GB97.1-12	plain washer 12		4
30	GB5783-M20X45	screw bolt M20x45		2
31	GB97.1-20	Plain washer 20		7
32	DIN985-M20	nut M20		7
33	GB6170-M20	Nut 20		2
34	GB5782-M20X80	Bolt M20x80		1
35	GB5782-M20X65	Bolt M20x65		1
36	GB27-M20X150	Bolt M20X150		4
37	GB27-M20X140	Bolt M20X140		1
38	BH-3.05.108	plate		2
39	BH-6.05.107	Spring		2
40	GB5782-M10X55	Bolt M10x55		2
41	GB6170-M10	Nut 10		2

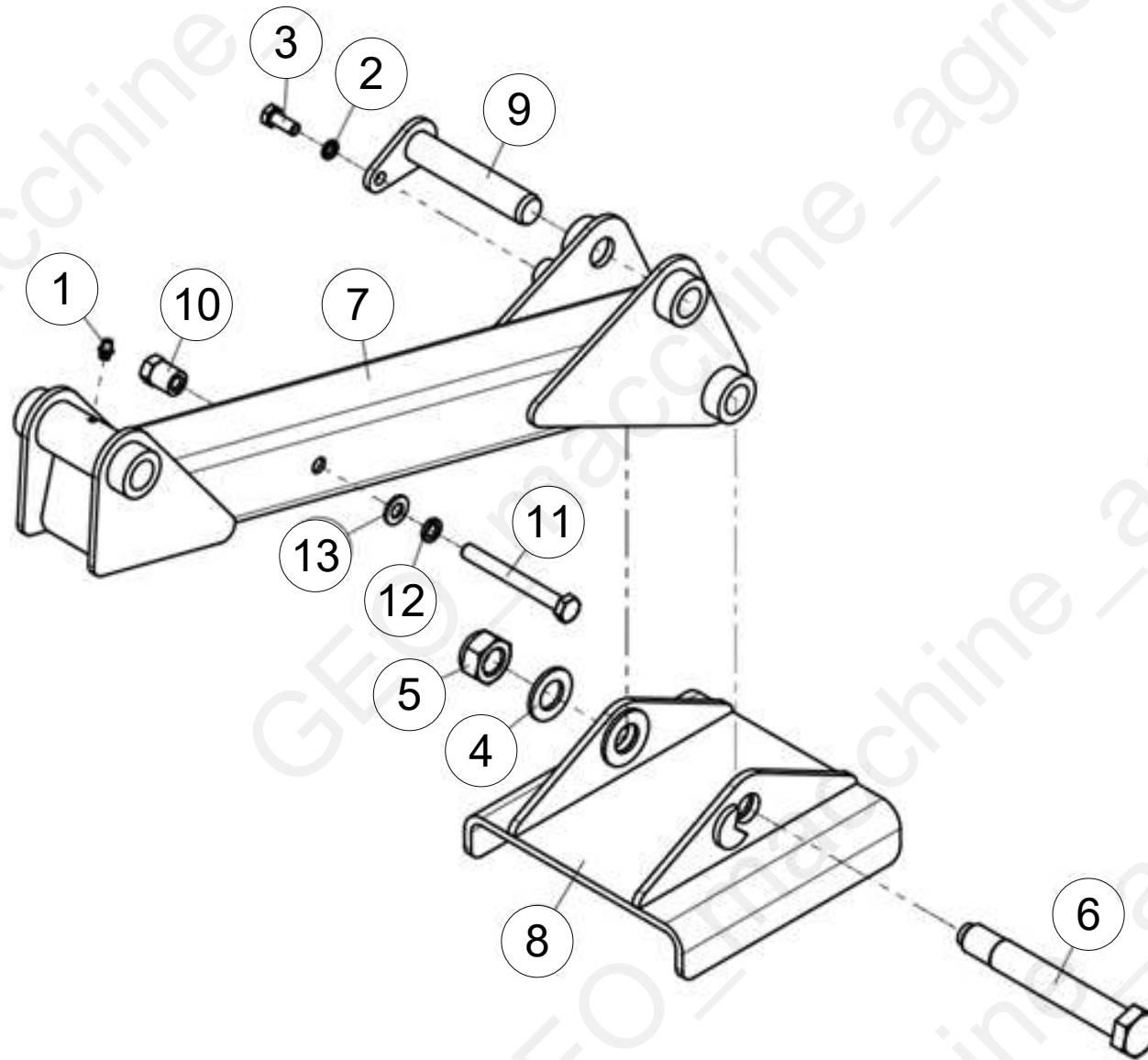


Machine: BH5-HS

Assembly: BH5-HS_PARTE6



Pos	Code	Description	NOTE	Q.
1	BH-3.05.158	support pto shaft		1
2	BH-3.05.156	shaft		1
3	BH-3.05.157	bush		1
4	GB5782-M8X55	Bolt M8X55		4
5	GB97.1-8	Plain washer 8		6
6	DIN985-M8	nut M8		4
7	GB893.1-55	check ring		1
8	GB894.1-30	circlip 30		1
9	GB276-6005	bearing 6005		2
10	GB1152-M6	Grease Nipple M6		1

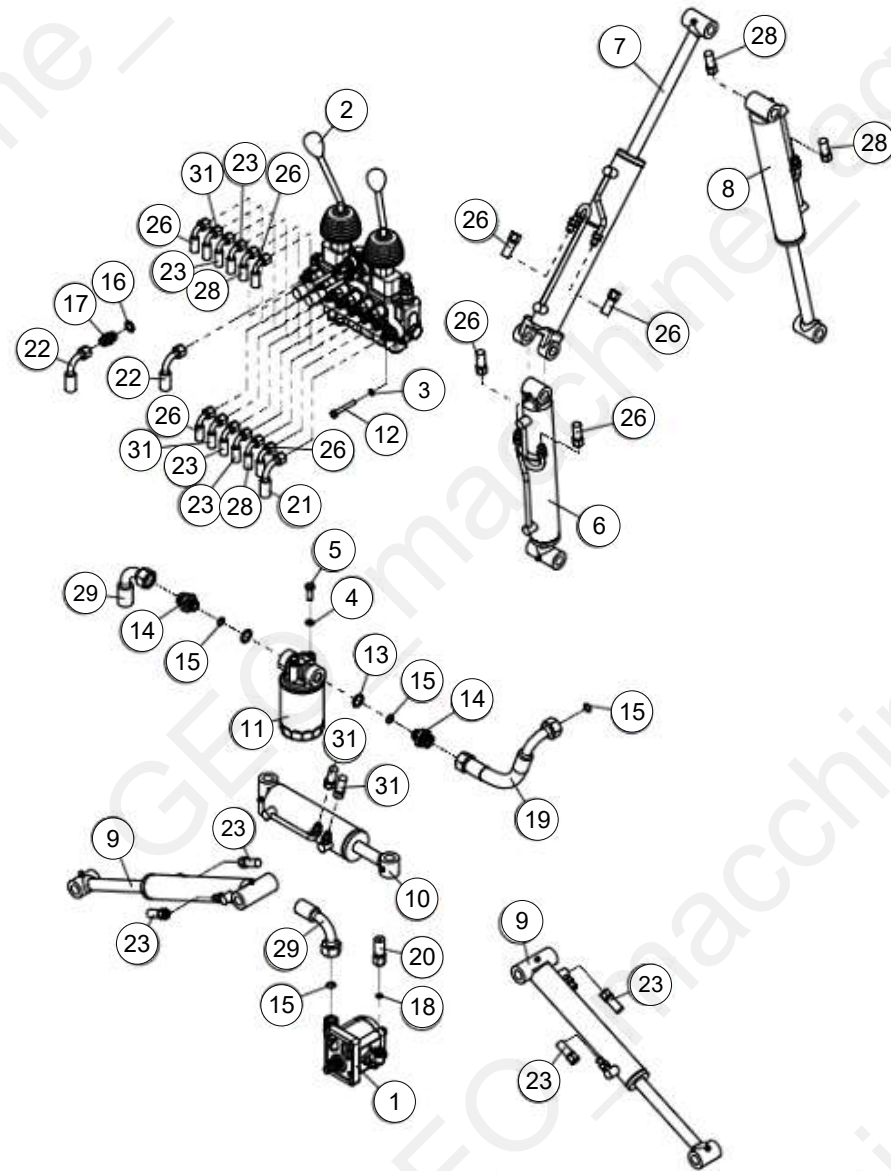


Machine: BH5-HS

Assembly: BH5-HS_PARTE7



Pos	Code	Description	NOTE	Q.
1	GB1152-M6	Grease Nipple M6		2
2	GB93-8	Spring washer 8		1
3	GB5783-M8X20	bolt M8X20		1
4	GB97.1-20	Plain washer 20		1
5	DIN985-M20	nut M20		1
6	GB27-M20X150	Bolt M20X150		1
7	BH-3.06.013	arm weldment		1
8	BH-3.06.011	support weldment		1
9	BH-3.06.012	pin		1
10	BH-3.06.105			1
11	GB5782-M10X90	Bolt M10x90		1
12	GB93-10	spring washer 10		1
13	GB97.1-10	PLAIN WASHER 10		1

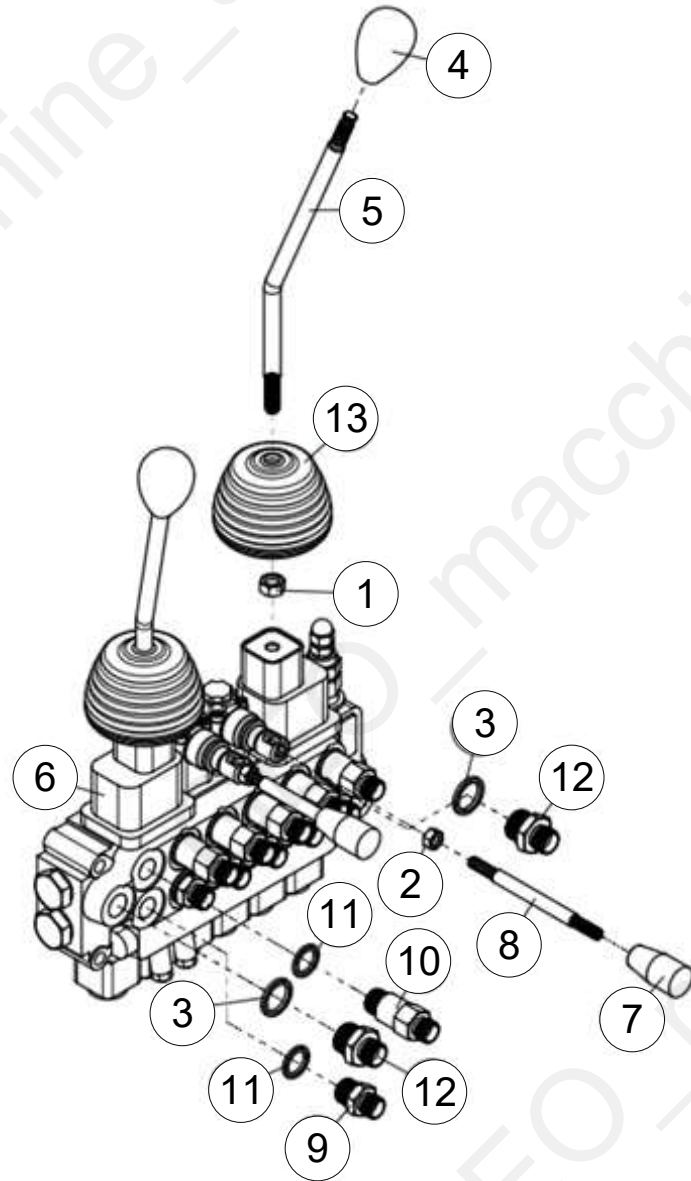


Machine: BH5-HS

Assembly: BH5-HS_PARTE8



Pos	Code	Description	NOTE	Q.
3	GB93-8	Spring washer 8		3
4	GB93-10	spring washer 10		2
5	GB5783-M10X30	Bolt M10X30		2
6	BH-3.08.013	BOOM CYLINDER		1
7	BH-3.08.012	DIPPER CYLINDER		1
8	BH-3.08.011	BUCKET CYLINDER		1
9	BH-3.08.019	Lateral Cylinder		2
10	BH-3.08.023	Shift BH Cylinder		1
11	YX0811A	Filter BH-HS		1
12	GB5782-M8X60	Bolt M8x60		3
13	JB982-22	O-ring		2
14	LW-7.07.101	joint		2
15	GB3452.1-G-14X2.65	Washer 14X2.65		4
16	G3/8			1
17	1CB-18-06WD	Joint M18X1.5-G3/8		1
18	GB3452.1-G-8X2.65			1
19	BH-3.08.021	oil pipe BH-5HS 4		1
20	BH-3.08.015	oil pipe BH-5HS 2		1
22	BH-3.08.016	oil pipe BH-5HS 1		2
23	BH-3.08.026	oil pipe BH-5HS 6		4
26	BH-3.08.029	oil pipe BH-5HS 8		4
28	BH-3.08.030			2
29	BH-3.08.020	oil pipe BH-5HS 3		2
31	BH-3.08.027	oil pipe BH-5HS 7		2

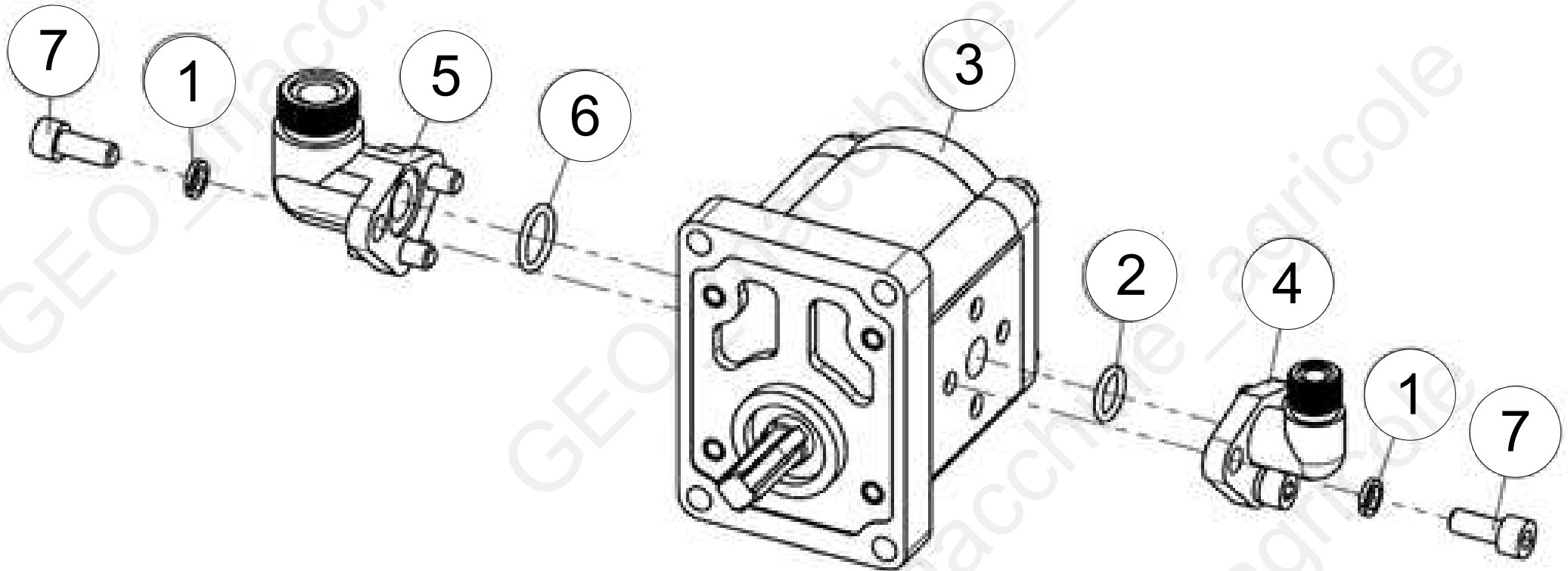


Machine: BH5-HS

Assembly: BH5-HS_PARTE9



Pos	Code	Description	NOTE	Q.
1	GB6170-M10	Nut 10		2
2	GB6170-M8	Nut M8		2
3	JB982-22	O-ring		2
4	BH-6.07.090	top handle		2
5	MBH-5.08.107	Handle		2
6	ZT6-F15-T/60-5	BH-HS Distributor		1
7	BH-6.07.091	Small handle cap		2
8	MBH-6.08.108	Joy stick		2
9	MBH-6.08.302T	Joint		6
10	MBH-6.08.301T	Joint		6
11	JB982-18			12
12	MBH-6.08.304T	Joint		2
13	BH-6.08.105			2

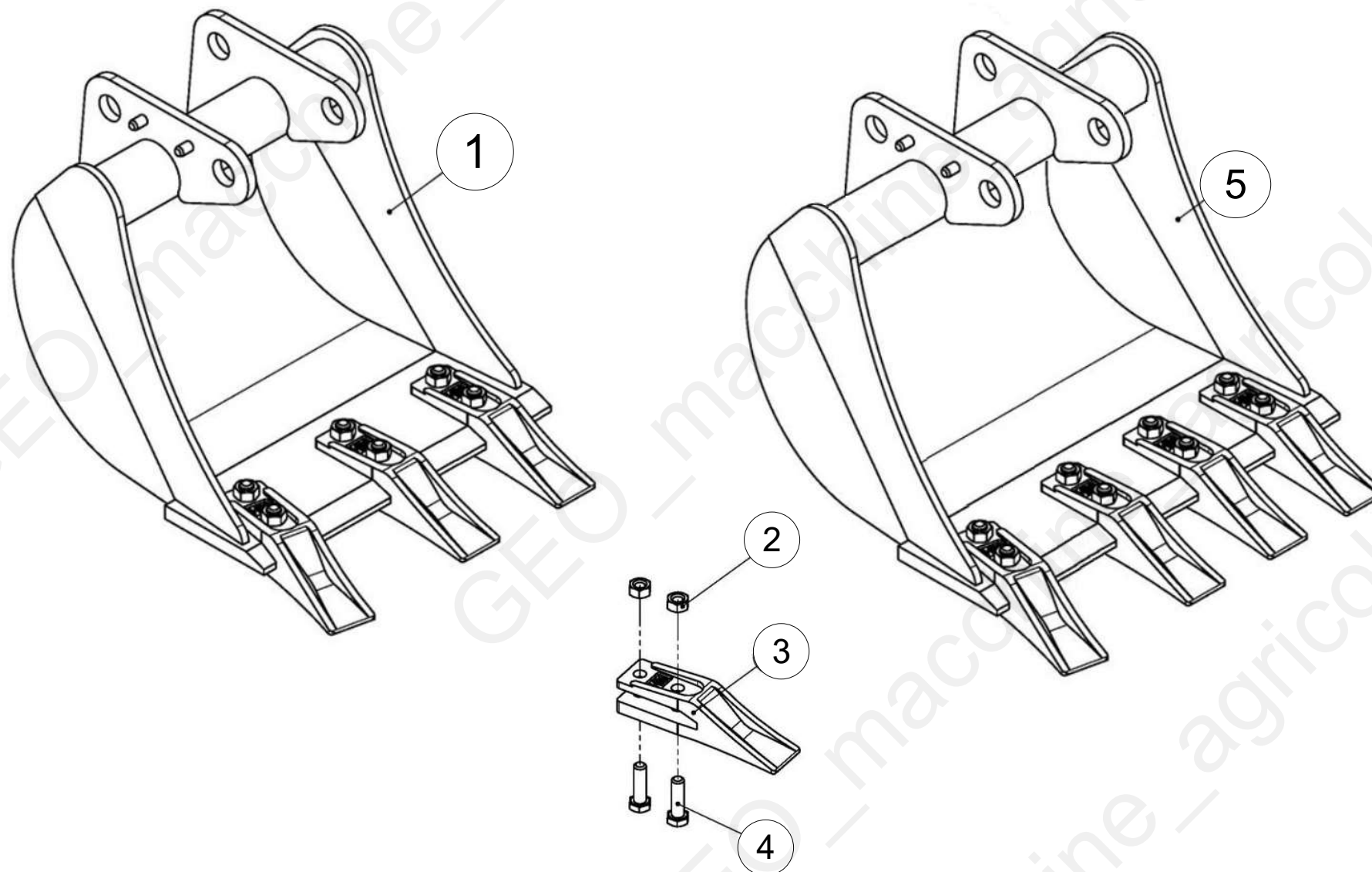


Machine: BH5-HS

Assembly: BH5-HS_PARTE10



Pos	Code	Description	NOTE	Q.
1	GB93-8	Spring washer 8		6
2	GB3452.1-G-14X2.65	Washer 14X2.65		1
3	CBW-F314-CFHL	BH-HS Pump		1
4	LW-7.07.116-A	output oil connection		1
5	LW-7.07.117A	Input oil connection		1
6	GB3452.1-G-18X2.65	Washer 18X2.65		1
7	GB70.1-M8X20	Bolt M8x20		6



Machine: BH5-HS

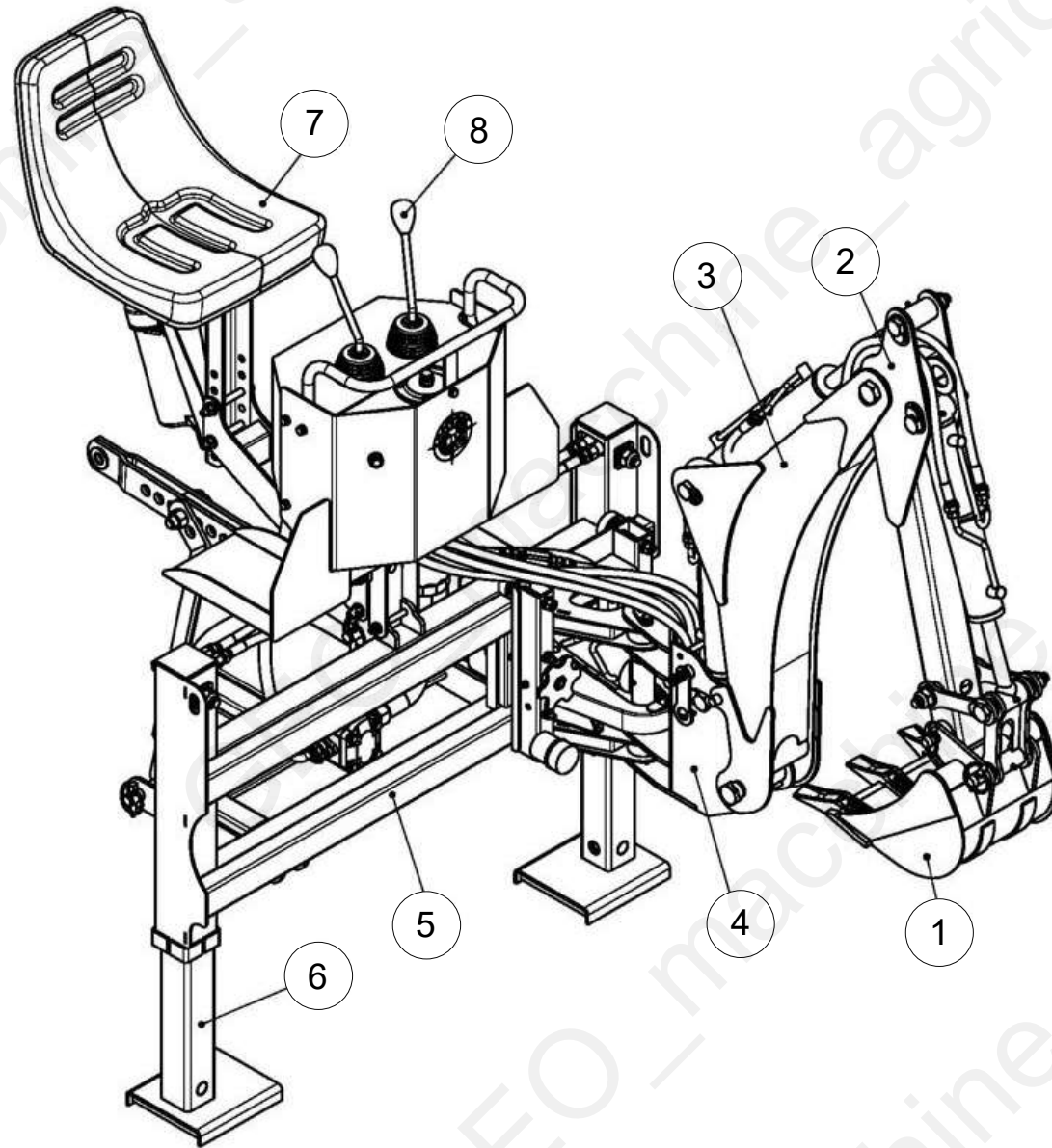
Assembly: BH5R-HS_parte 2



Pos	Code	Description	NOTE	Q.
1	BH-3.01.001.300	Bucket BH 300		1
2	GB6170-M10	Nut 10		6
3	BH-3.01.101	Tooth bucket		3
4	GB5782-M10X35	Bolt M10x35		6
5	BH-3.01.001.400	Bucket BH 400		1

BH5-HS-X



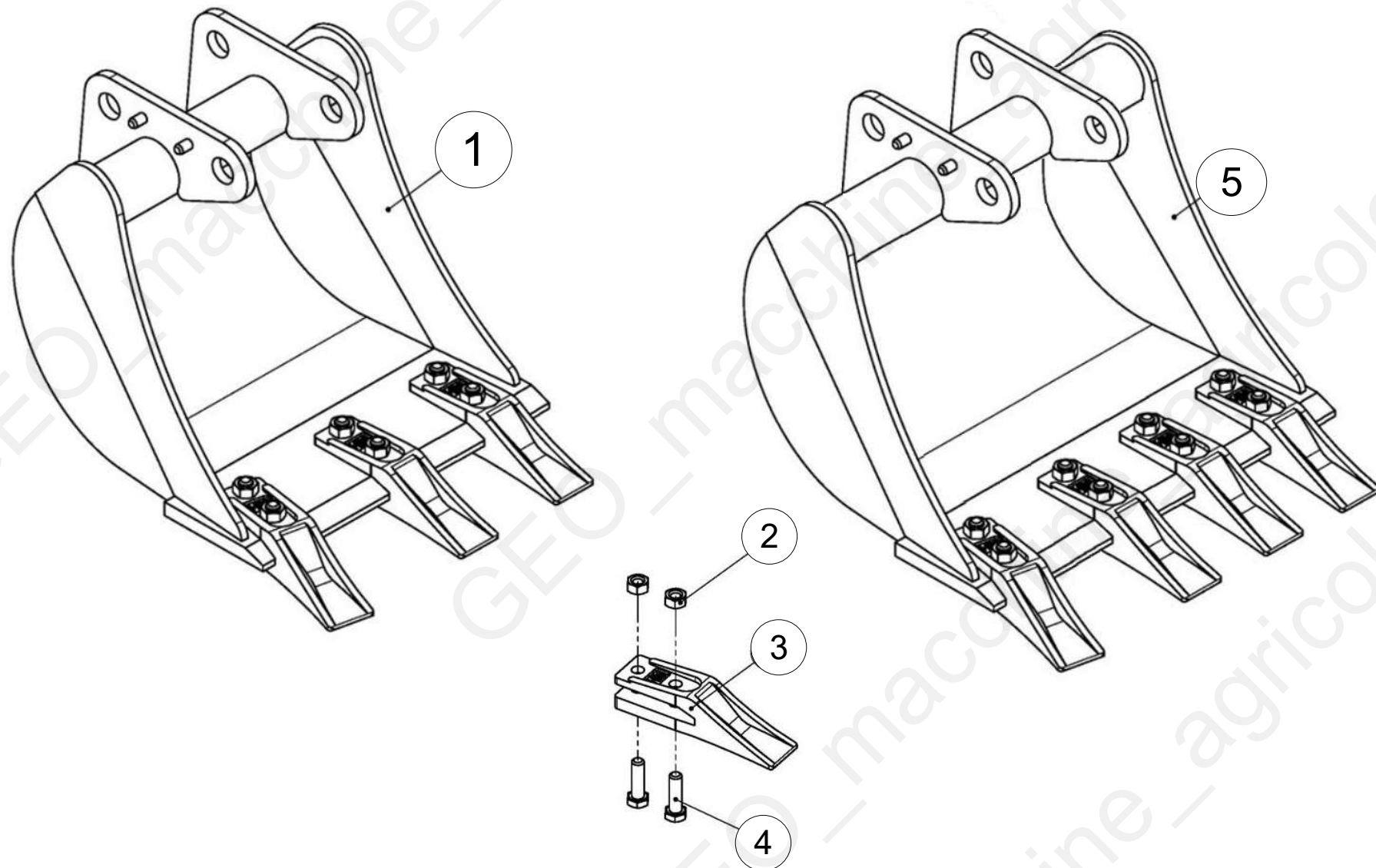


Machine: BH5-HS-X

Assembly: BH5R-HS_parte 1



Pos	Code	Description	NOTE	Q.
7	MBH-5.07.001	Seat Assembly		1

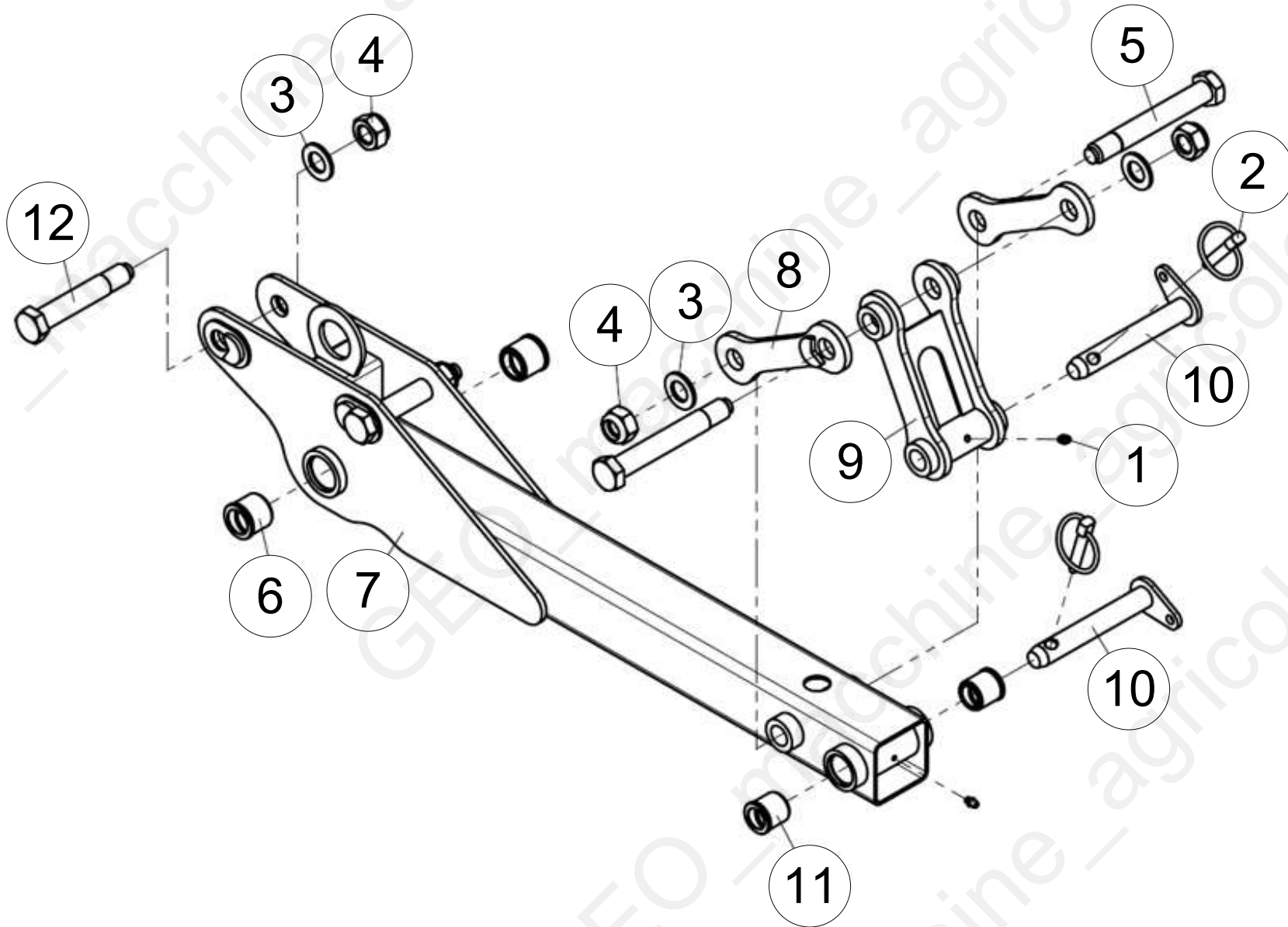


Machine: BH5-HS-X

Assembly: BH5R-HS_parte 2



Pos	Code	Description	NOTE	Q.
1	BH-3.01.001.300	Bucket BH 300		1
2	GB6170-M10	Nut 10		6
3	BH-3.01.101	Tooth bucket		3
4	GB5782-M10X35	Bolt M10x35		6
5	BH-3.01.001.400	Bucket BH 400		1

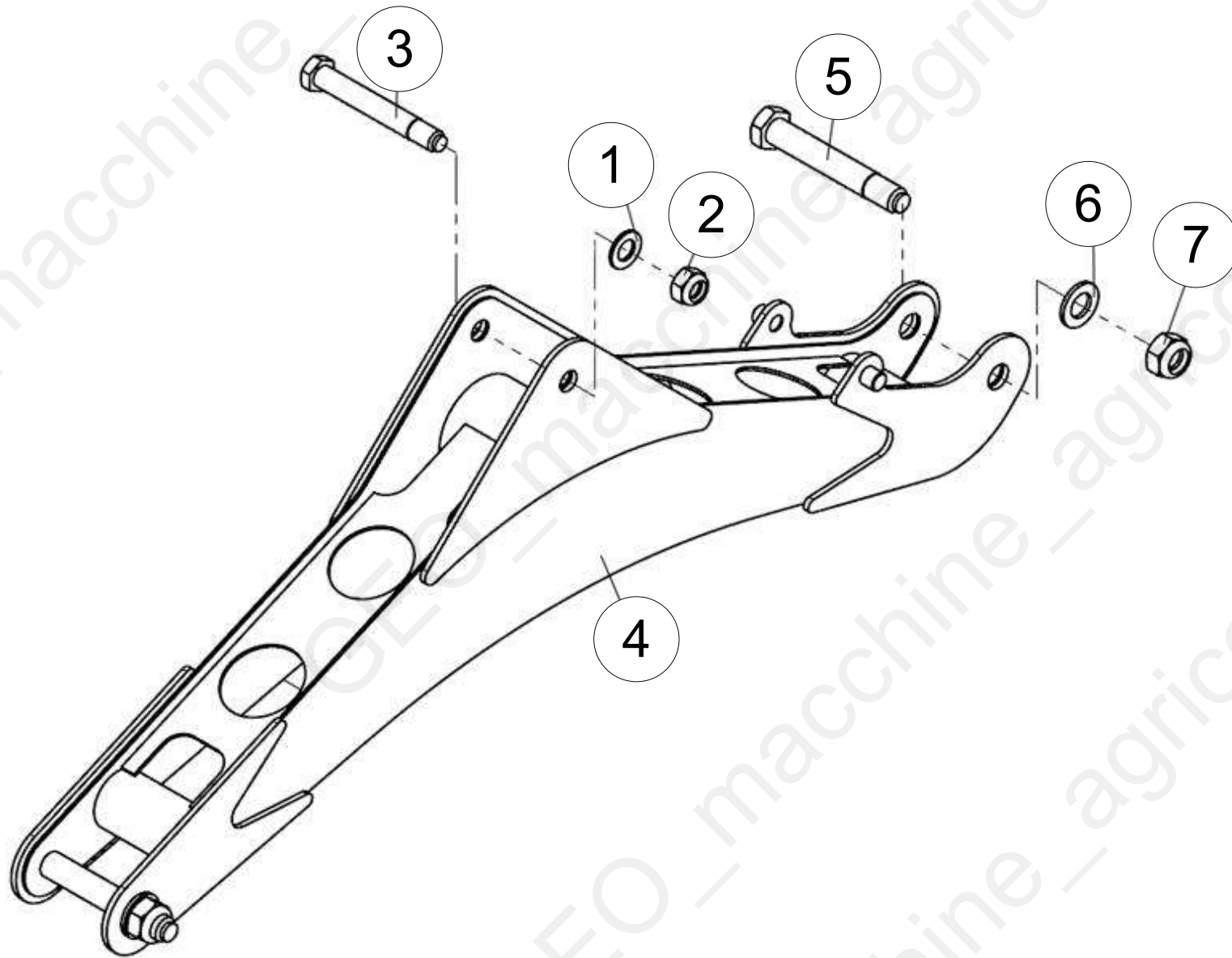


Machine: BH5-HS-X

Assembly: BH5R-HS_parte 3



Pos	Code	Description	NOTE	Q.
1	GB1152-M6	Grease Nipple M6		4
2	200.56.011	Lock pin		2
3	GB97.1-20	Plain washer 20		4
4	DIN985-M20	nut M20		4
5	GB27-M20X150	Bolt M20X150		2
6	BH-3.02.102-1	bush		2
7	BH-3.02.011-1	Arm weldment		1
8	BH-3.02.012	link bucket		2
9	BH-3.02.014	linkage		1
10	BH-3.02.015	pin		2
11	BH-3.02.101-1	bush		2
12	GB27-M20X120	Bolt M20X120		2

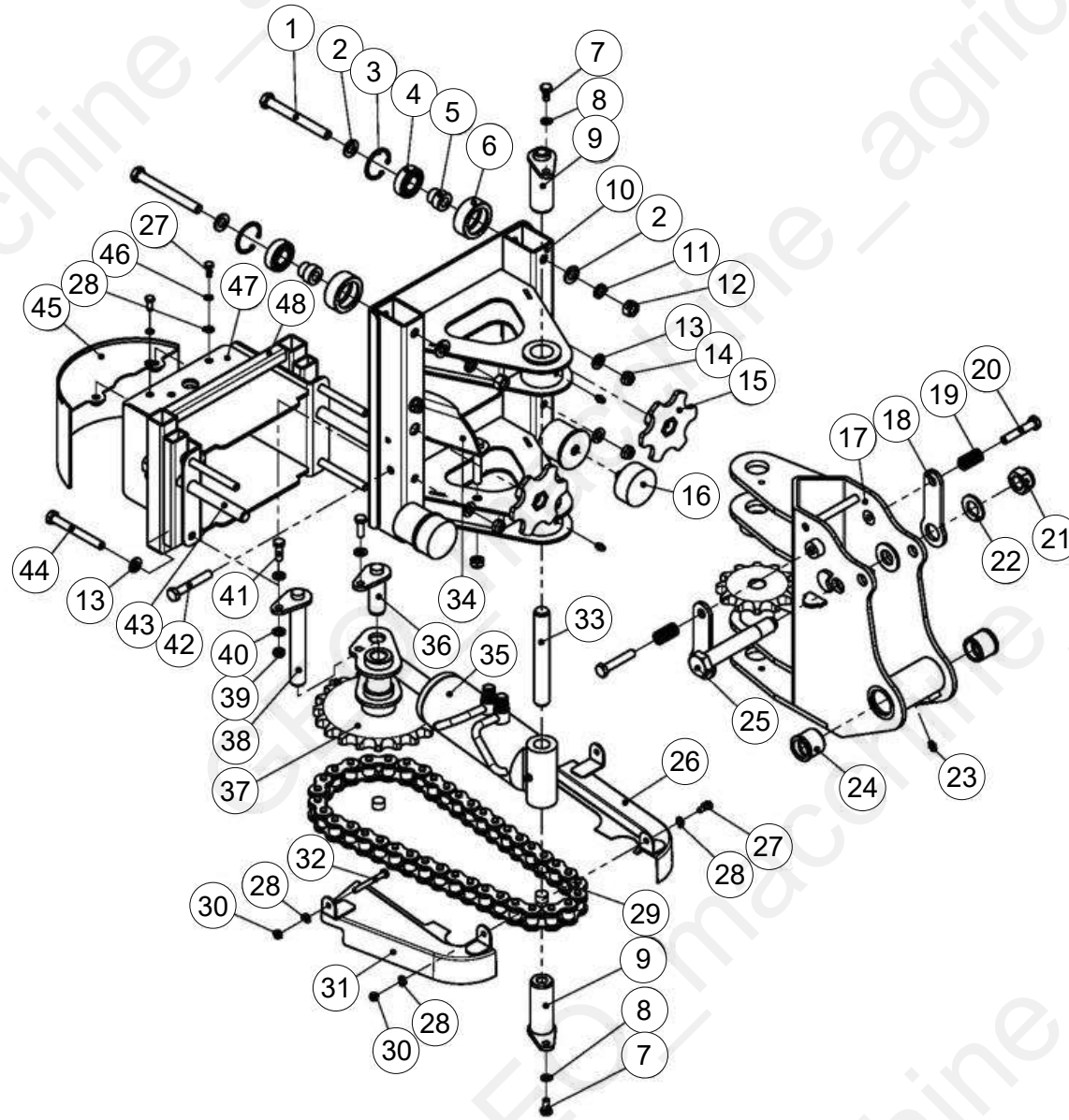


Machine: BH5-HS-X

Assembly: BH5R-HS_parte 4

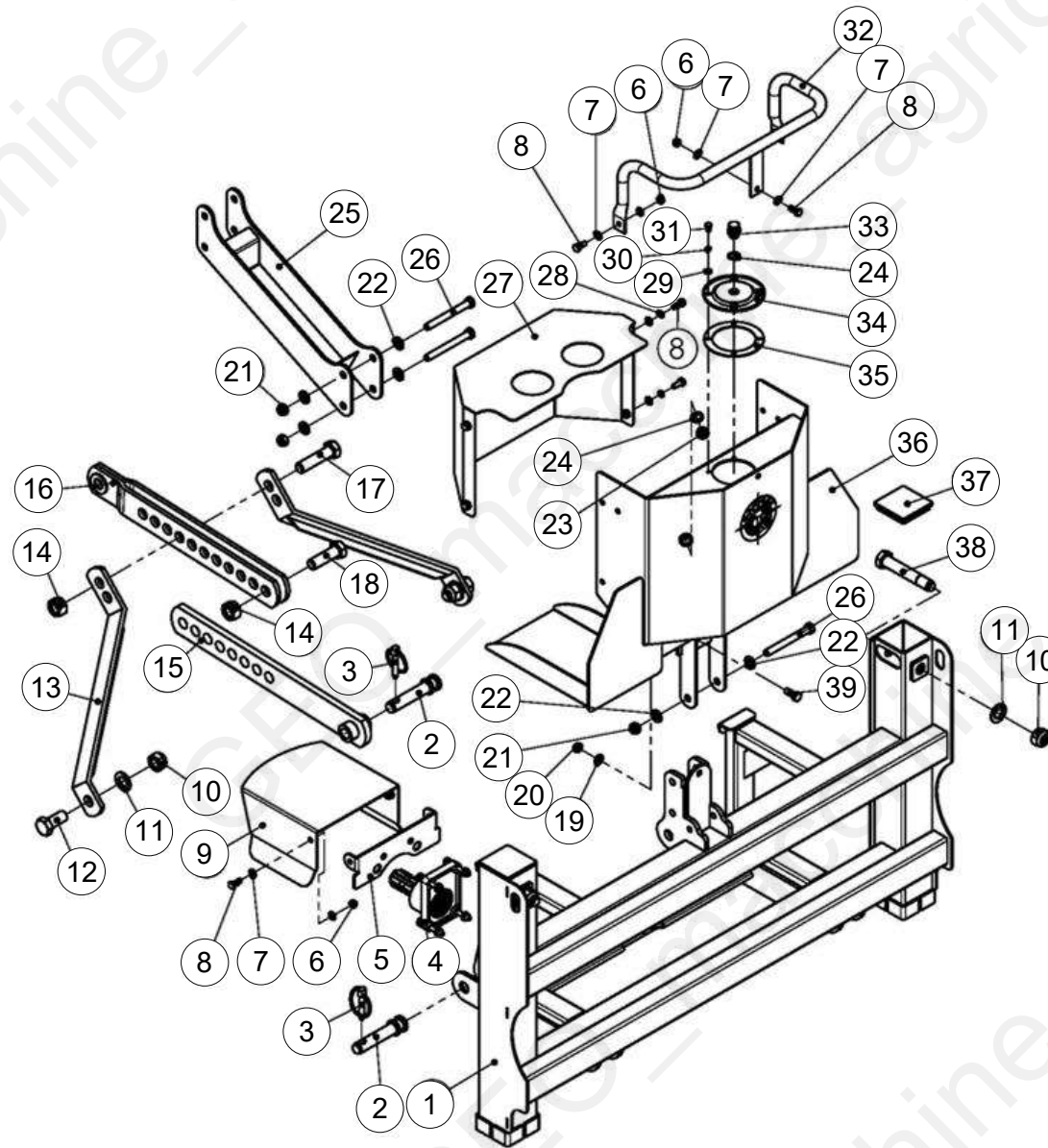


Pos	Code	Description	NOTE	Q.
1	GB97.1-20	Plain washer 20		1
2	DIN985-M20	nut M20		1
3	GB27-M20X150	Bolt M20X150		1
4	BH-3.03.011-1	Long Arm weldment		1
5	GB27-M24X160	Bolt M24X160		2
6	GB97.1-24	Plain washer 24		2
7	DIN985-M24	nut m24		2



Pos	Code	Description	NOTE	Q.
1	GB5782-M12X110	Bolt M12x110		2
2	GB97.1-12	plain washer 12		4
3	GB893.1-42	Circlip 42		2
4	GB276-6004-2Z	Bearing 6004-2Z		2
5	MBH-3.04.102	bush		2
6	MBH-3.04.150	Ring bush		2
7	GB5783-M8X16	bolt M8X16		4
8	GB93-8	Spring washer 8		2
9	MBH-3.04.018	pin		2
10	MBH-3.04.012-1	Swing X assembly		1
11	GB93-12	spring washer 12		2
12	GB6170-M12	Nut 12		2
13	GB97.1-10	PLAIN WASHER 10		8
14	DIN985-M10	Locking nut M10		5
15	MBH-3.04.019	handle shiftment		2
16	TXC200-0016	rubber cap		2
17	MBH-3.04.011	Shiftment BH-X Assembly		1
18	BH-3.04.108	plate		2
19	BH-6.05.107	Spring		2
20	GB5782-M10X55	Bolt M10x55		2
21	DIN985-M20	nut M20		1
22	GB97.1-20	Plain washer 20		1
23	GB1152-M6	Grease Nipple M6		4
24	BH-3.02.102-1	bush		2
25	GB27-M20X130	Bolt M20X130		1

Pos	Code	Description	NOTE	Q.
26	MBH-3.04.021	Left Cover		1
27	GB5783-M6X16	bolt M6X16		3
28	GB97.1-6	Plain washer 6		6
29	GB1243.1-83-16AH-1-40	Chain-16AH-1-4		1
30	DIN985-M6	Locking nut M6		3
31	MBH-3.04.020-1	Right Cover		1
32	GB5782-M6X55	Bolt M6x55		2
33	MBH-3.04.101	pin		1
34	MBH-3.04.023	frame		1
35	BH-3.08.023	Shift BH Cylinder		1
36	MBH-3.04.017	pin		1
37	MBH-3.04.016-1	Gear BH-X		1
38	MBH-3.04.015	pin		1
39	DIN985-M8	nut M8		2
40	GB97.1-8	Plain washer 8		4
41	GB5783-M8X25	bolt M8X25		2
42	GB5783-M10X65	bolt M10x65		1
43	GB5782-M16X170	Bolt M16x170		2
44	GB5782-M10X90	Bolt M10x90		4
45	MBH-3.04.022	Back Cover		1
46	GB93-6	spring washer 6		2
47	MBH-3.04.014	Shiftment Frame		1
48	MBH-3.04.013	Shiftment Frame 2		1



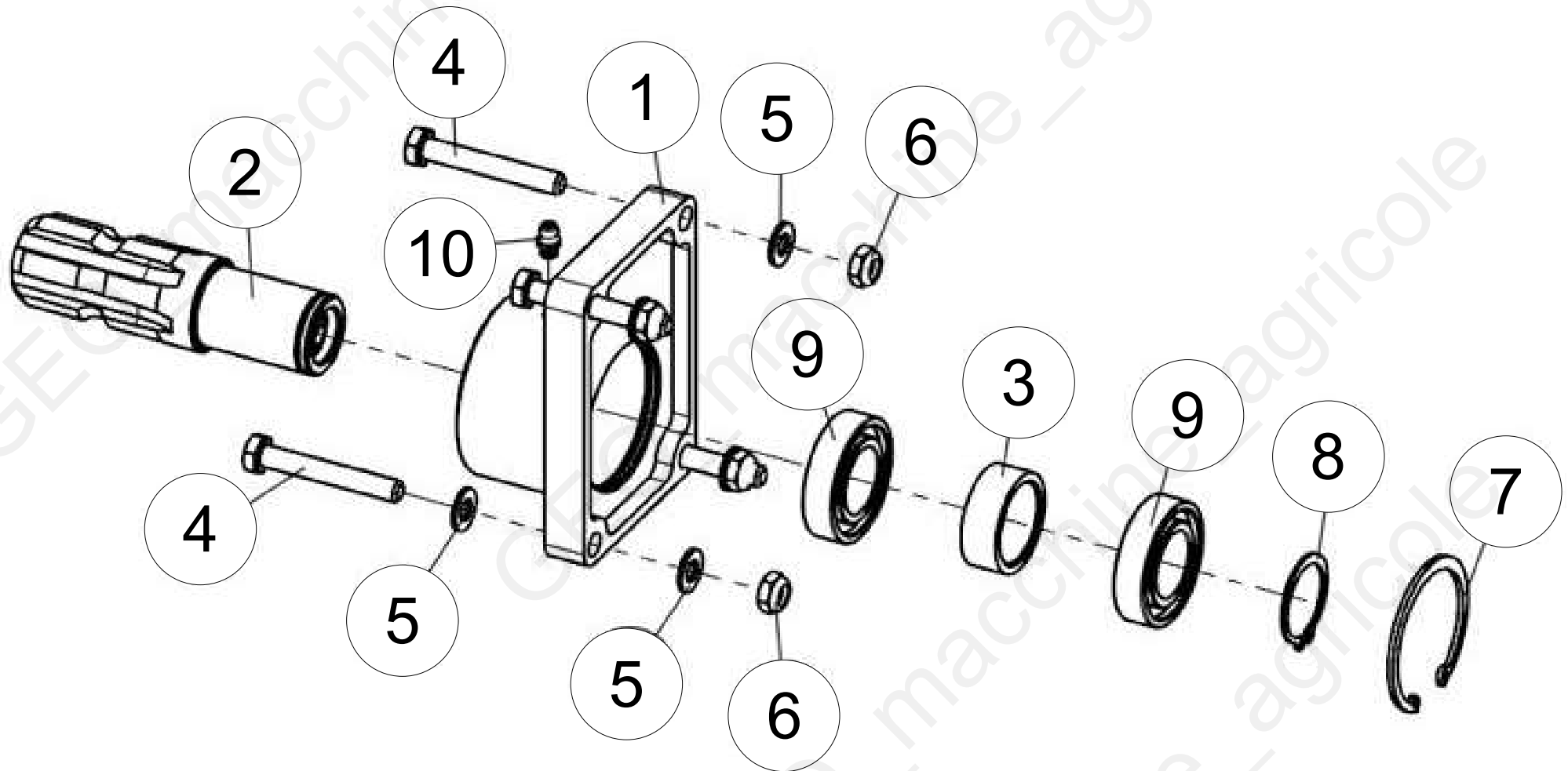
Pos	Code	Description	NOTE	Q.
1	MBH-3.05.011	Frame BH-X Weldment		1
2	BH-3.05.105	pin		3
3	200.56.011	Lock pin		3
5	WCX5-0105	Pto Cover2		1
6	DIN985-M8	nut M8		5
7	GB97.1-8	Plain washer 8		14
8	GB5783-M8X20	bolt M8X20		9
9	WCX5-0106	Pto Cover1		1
10	DIN985-M20	nut M20		4
11	GB97.1-20	Plain washer 20		4
12	GB5783-M20X45	screw bolt M20x45		2
13	BH-3.05.016	Right linkage		2
14	GB6170-M20	Nut 20		2
15	BH-3.05.014	Left linkage		1
16	BH-3.05.015	Top Linkage		1
17	GB5782-M20X80	Bolt M20x80		1
18	GB5782-M20X65	Bolt M20x65		1
19	GB97.1-10	PLAIN WASHER 10		1
20	DIN985-M10	Locking nut M10		1
21	DIN985-M12	nut M12		3
22	GB97.1-12	plain washer 12		6
23	JB7941.2-M16X1.5			1
24	JB982-16	Combined oil seal 16		2
25	MBH-3.05.016	Arm support BH-X		1
26	GB5782-M12X110	Bolt M12x110		3

Machine: BH5-HS-X

Assembly: BH5R-HS_parte 6



Pos	Code	Description	NOTE	Q.
27	BH-3.05.012	Cover		1
28	GB93-8	Spring washer 8		4
29	GB97.1-6	Plain washer 6		4
30	GB93-6	spring washer 6		4
31	GB5783-M6X12	bolt M6X12		4
32	BH-3.05.018	Handle Cover		1
33	CBW-00-011	breath plug		1
34	MBH-8.08.117	Combination washer		1
35	MBH-8.08.118	Washer		1
36	MBH-3.05.014	Main Cover BH-X		1
37	ZL-DF254-372	Rubber Cover		2
38	GB27-M20X120	Bolt M20X120		2
39	GB5783-M10X25	Bolt M10X25		1

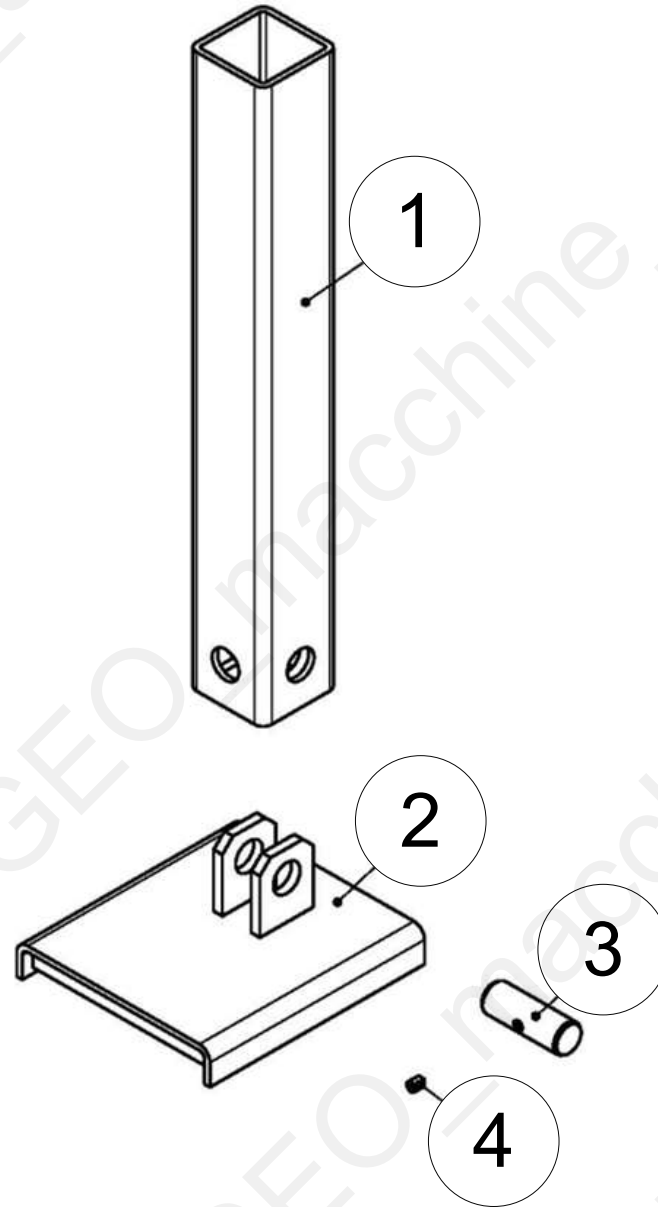


Machine: BH5-HS-X

Assembly: BH5R-HS_parte 7



Pos	Code	Description	NOTE	Q.
1	BH-3.05.158	support pto shaft		1
2	BH-3.05.156	shaft		1
3	BH-3.05.157	bush		1
4	GB5782-M8X55	Bolt M8X55		4
5	GB97.1-8	Plain washer 8		6
6	DIN985-M8	nut M8		4
7	GB893.1-55	check ring		1
8	GB894.1-30	circlip 30		1
9	GB276-6005	bearing 6005		2
10	GB1152-M6	Grease Nipple M6		1

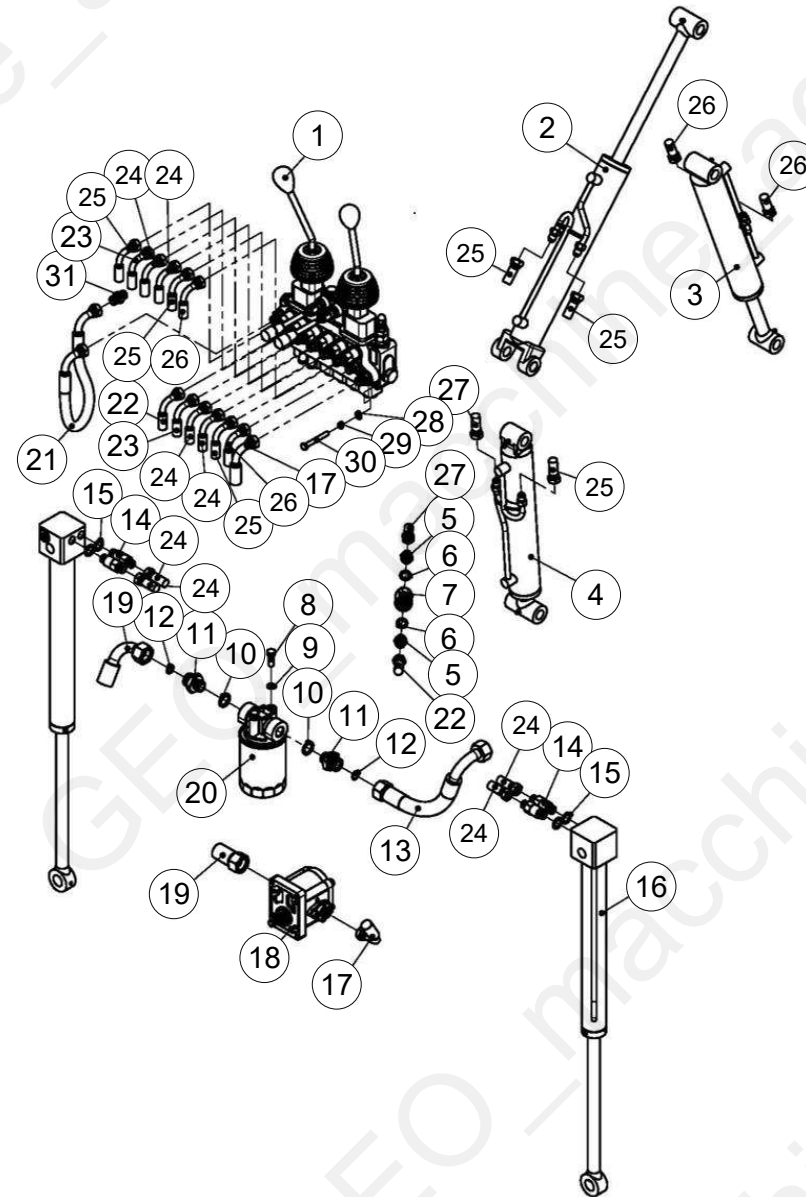


Machine: BH5-HS-X

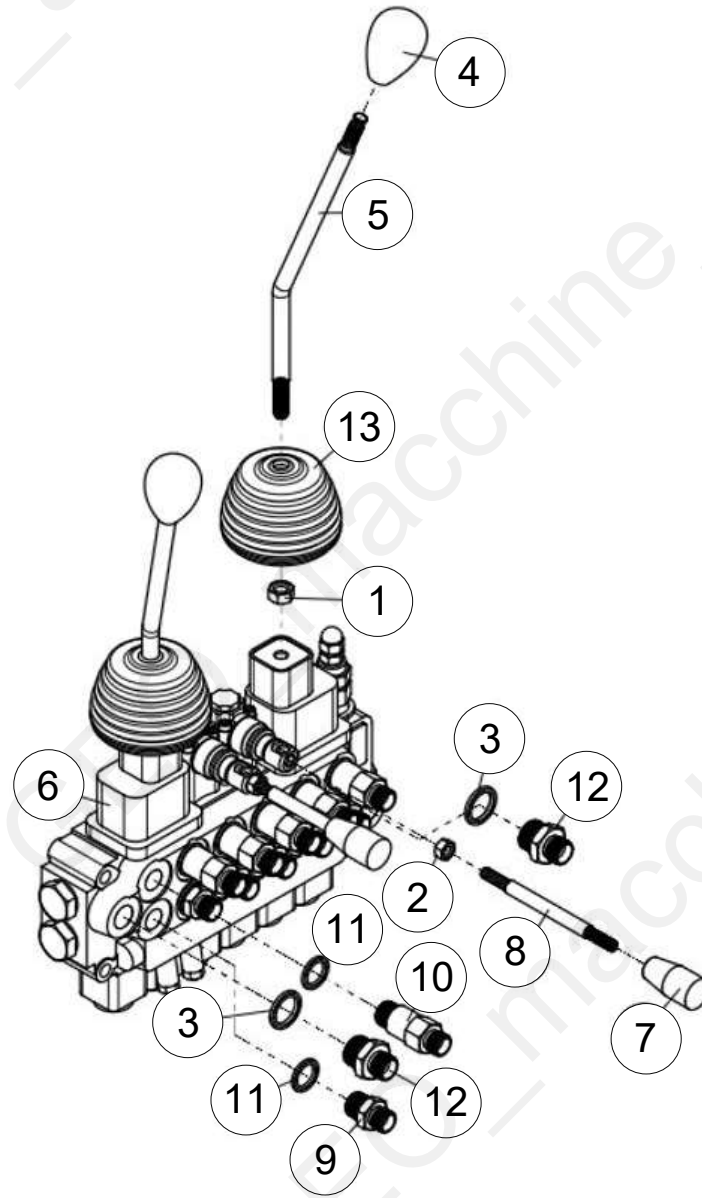
Assembly: BH5R-HS_parte 8



Pos	Code	Description	NOTE	Q.
1	MBH-3.06.012	BH-X support		4
2	MBH-5.06.011	BH-X support Plate		2
3	MBH-5.08.104	pin		2
4	GB78-M8X1X12			2



Pos	Code	Description	NOTE	Q.
2	BH-3.08.012	DIPPER CYLINDER		1
3	BH-3.08.011	BUCKET CYLINDER		1
4	BH-3.08.013	BOOM CYLINDER		1
5	MBH-8.08.308Y	joint		2
6	JB982-14	Combined oil seal 14		2
7	MK6G1.2/2	joint		1
8	GB5783-M10X30	Bolt M10X30		2
9	GB93-10	spring washer 10		2
10	JB982-22	O-ring		2
11	LW-7.07.101	joint		2
12	GB3452.1-G-14X2.65	Washer 14X2.65		2
13	BH-3.08.021	oil pipe BH-5HS 4		1
14	MBH-8.08.301Y	joint		4
15	G3/8			4
16	MBH-3.08.019	Moving Cylinder BH-X		2
17	MBH-3.08.015	BH-X Oil pipe 7		1
19	MBH-3.08.020	BH-X Oil pipe 6		1
20	YX0811A	Filter BH-HS		1
22	MBH-6.08.016	BH-X Oil pipe 1		1
23	MBH-3.08.031	BH-X Oil pipe 2		1
26	MBH-3.08.027	BH-X Oil pipe 3		2
28	MBH-3.08.026	BH-X Oil pipe 4		4
29	MBH-3.08.029	BH-X Oil pipe 5		3
31	MBH-3.08.030	joint		2

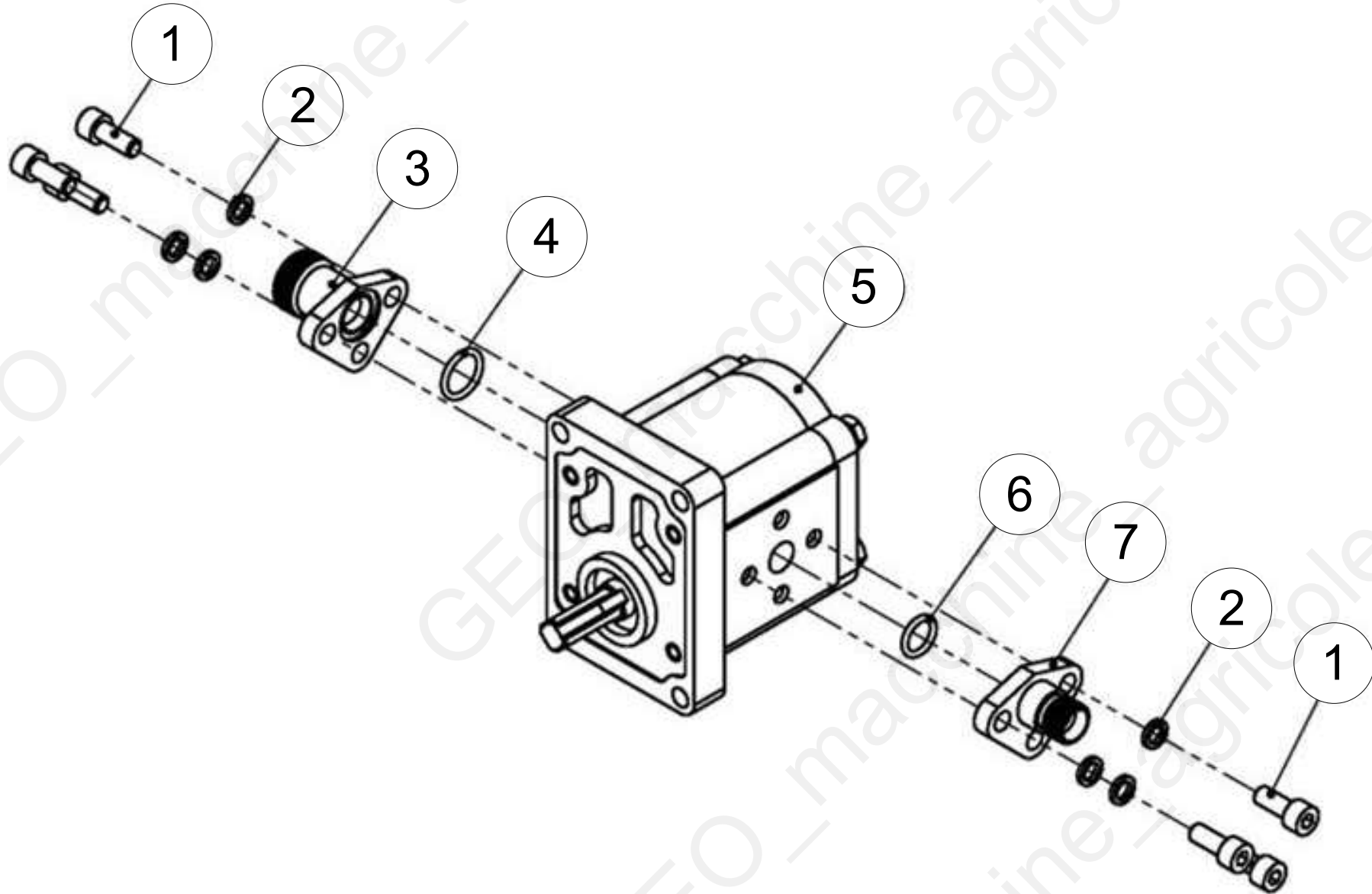


Machine: BH5-HS-X

Assembly: BH5R-HS_parte 10



Pos	Code	Description	NOTE	Q.
1	GB6170-M10	Nut 10		2
2	GB6170-M8	Nut M8		2
3	JB982-22	O-ring		2
4	BH-6.07.090	top handle		2
5	MBH-5.08.107	Handle		2
6	ZT6-F15-T/60-5	BH-HS Distributor		1
7	BH-6.07.091	Small handle cap		2
8	MBH-6.08.108	Joy stick		2
9	MBH-6.08.302T	Joint		6
10	MBH-6.08.301T	Joint		6
11	JB982-18			12
12	MBH-6.08.304T	Joint		2
13	BH-6.08.105			2



Machine: BH5-HS-X

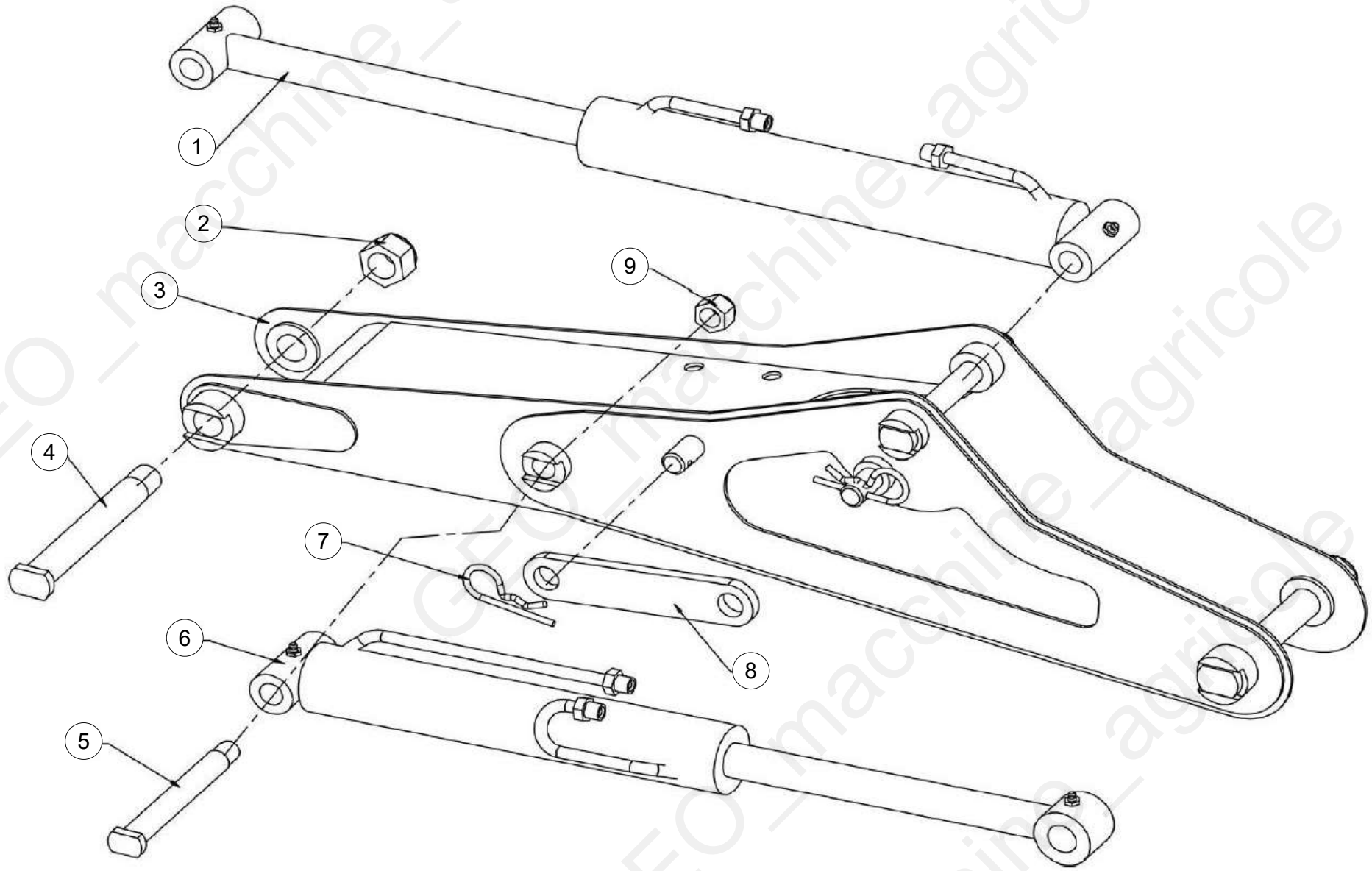
Assembly: BH5R-HS_parte 11



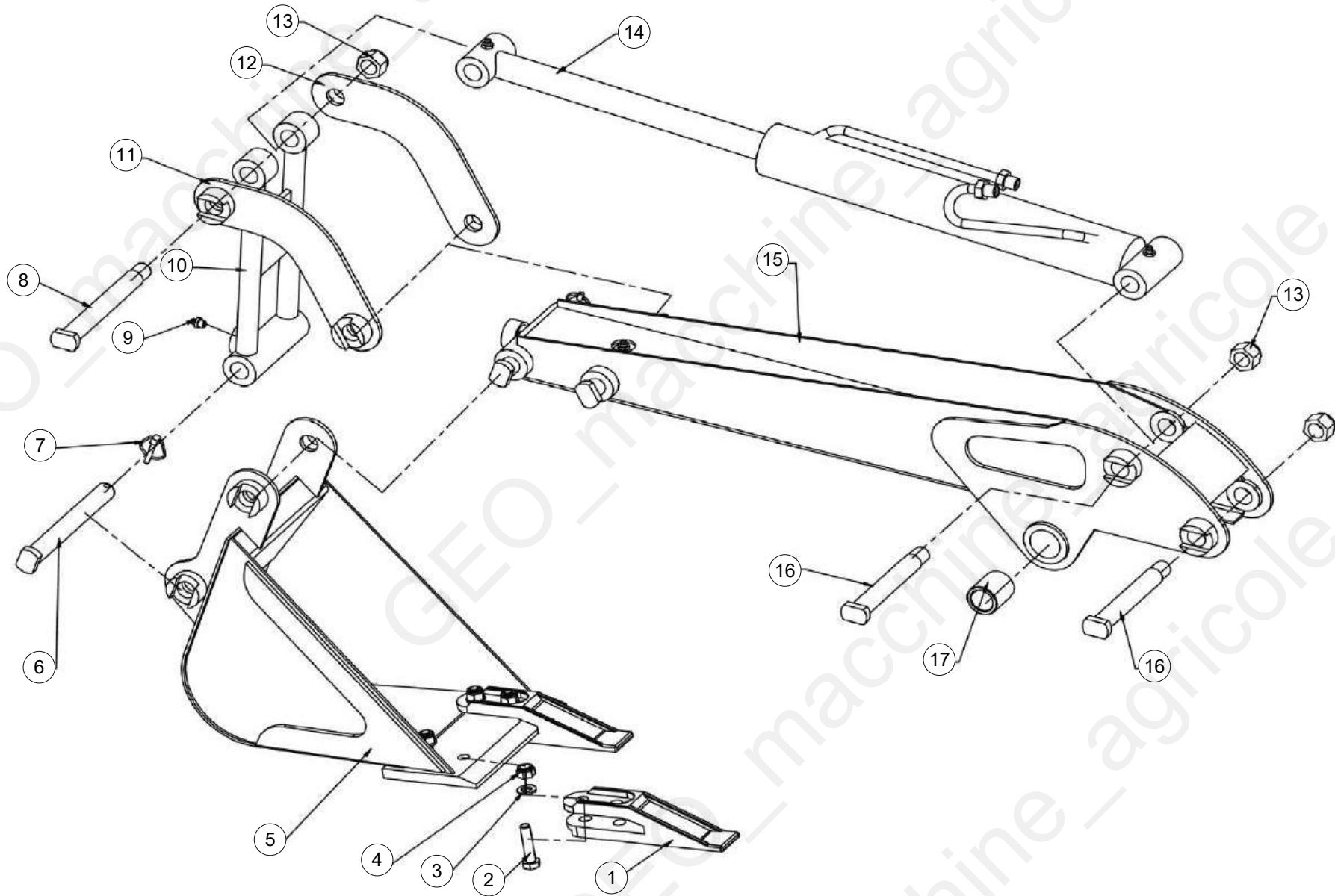
Pos	Code	Description	NOTE	Q.
1	GB70.1-M8X20	Bolt M8x20		6
2	GB93-8	Spring washer 8		6
3	MBH-3.08.123	input oil connection		1
4	GB3452.1-G-18X2.65	Washer 18X2.65		1
5	CBW-F314-CFHL	BH-HS Pump		1
6	GB3452.1-G-14X2.65	Washer 14X2.65		1
7	MBH-3.08.124	Output oil connection		1

BH5_2011_2018

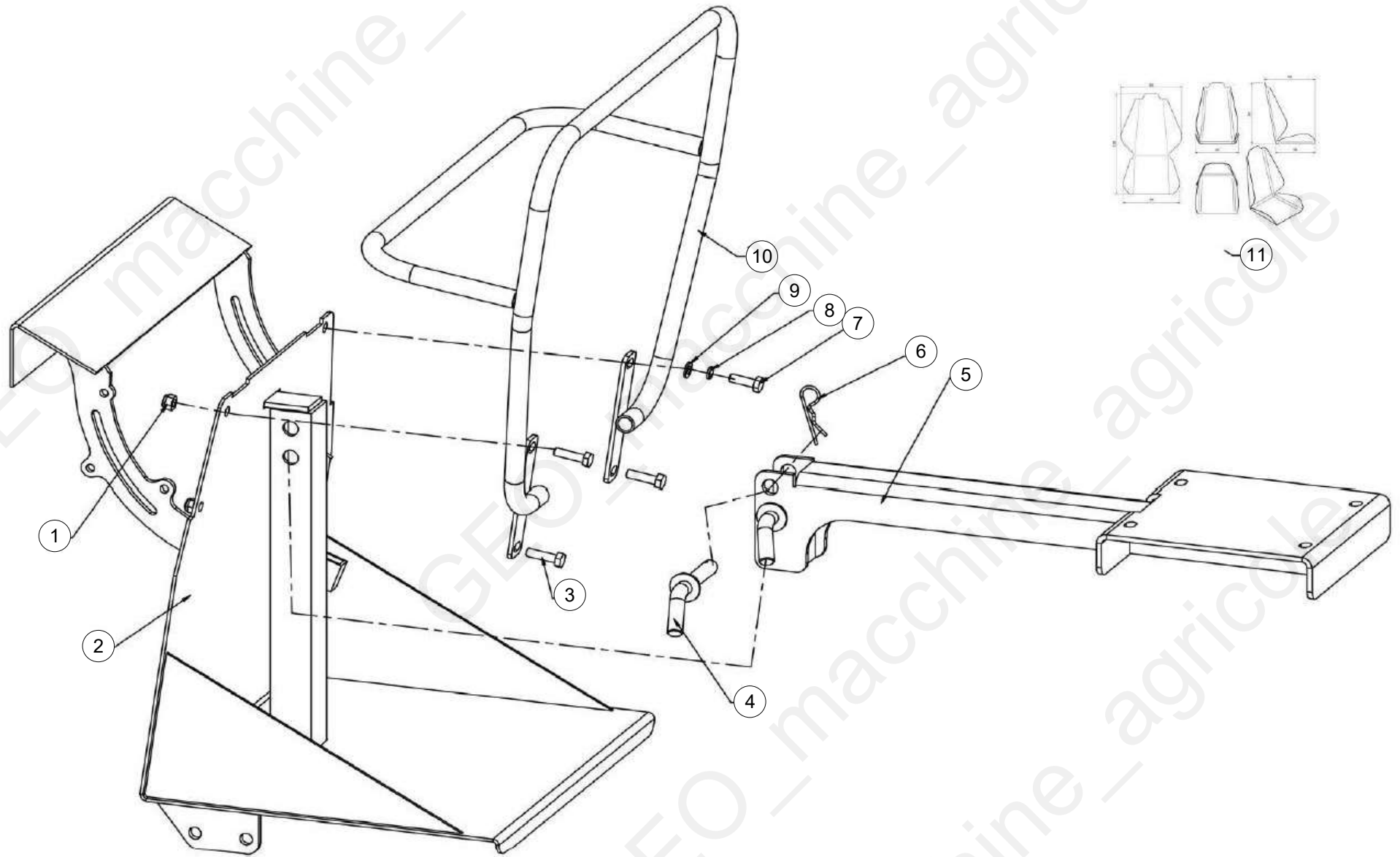




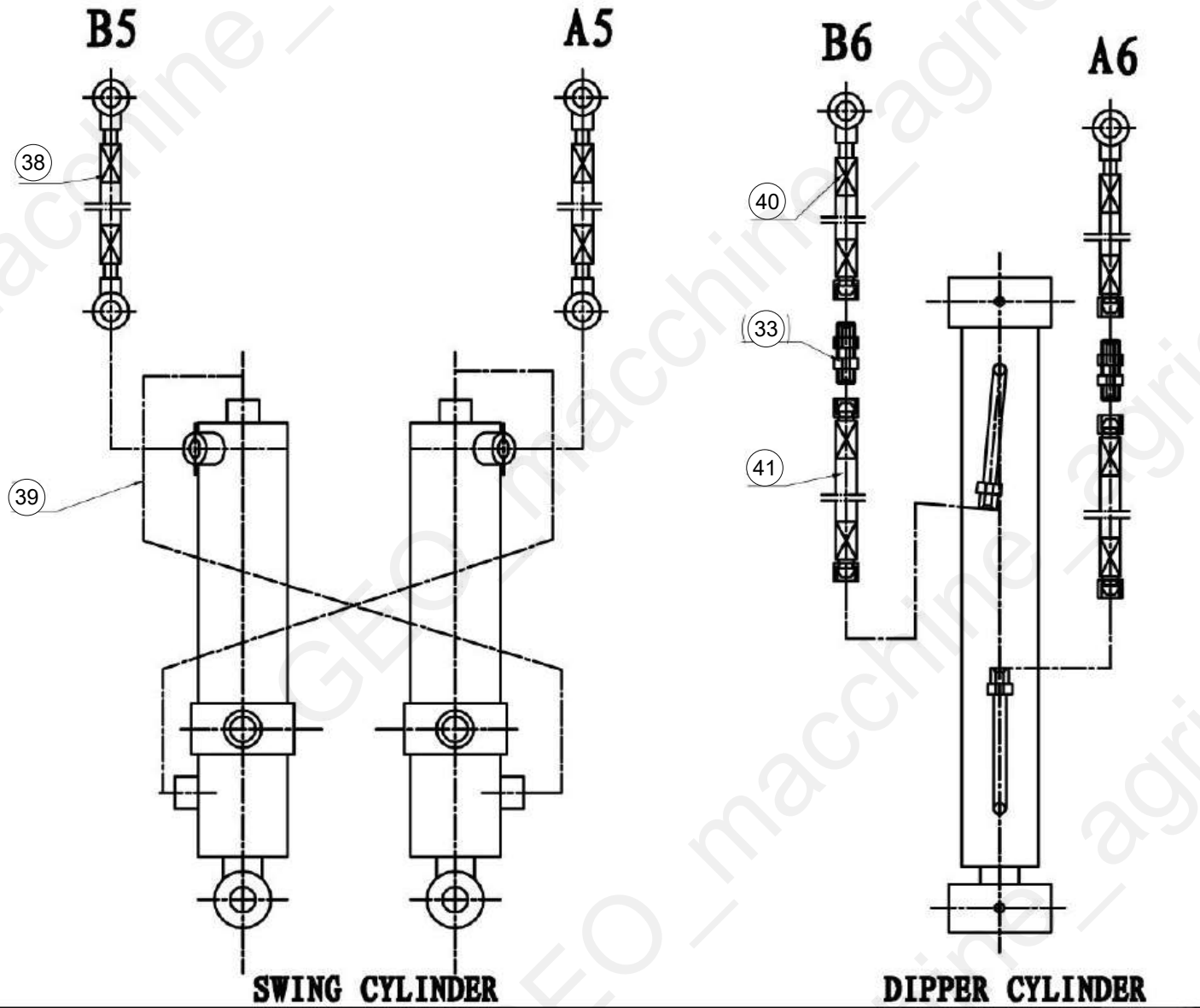
Pos	Code	Description	NOTE	Q.
1	BH5.20.002	DIPPER CYLINDER		1
2	GB889.1-M24x2	LOCK NUT M24x2		2
3	BH5.20.011	BOOM WELDMENT		1
4	BH5.20.101	PIN-BOOM		1
5	BH5.10.102	PIN		2
6	BH5.20.003	BOOM CYLINDER		1
7	RPIN.5	Lock pin r5		2
8	BH5.20.102	LOCK PLATE		1
9	GB889.1-M18x1.5	Lock Nut M18x1.5		2



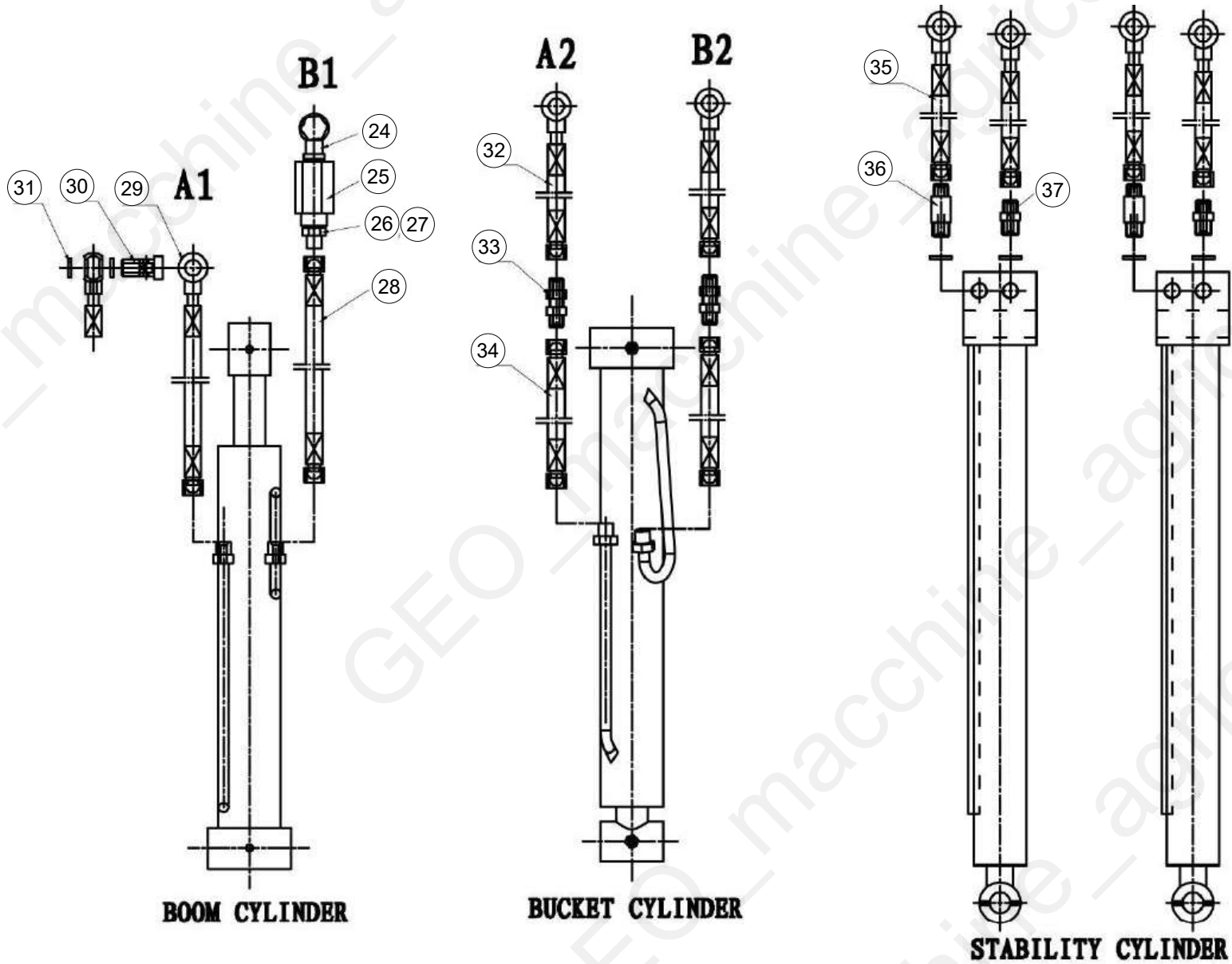
Pos	Code	Description	NOTE	Q.
1	BK6N.01.105	TOOTH		2
2	GB5782-M10x45	Bolt M10x45		4
3	GB97.1-10	PLAIN WASHER 10		4
4	GB889.1-M10	Locking nut M10		4
5	BH5.10.011	BUCKET WELDMENT		1
6	BH5.10.101	PIN		2
7	LPIN.5	Lock pin 5		2
8	BH5.10.102	PIN		2
9	GB1152-M8x1	Grease Nipple M8x1		3
10	BH5.10.012	BUCKET LINK		1
11	BH5.10.013	LINK-LEFT		1
12	BH5.10.014	LINK-RIGHT		1
13	GB889.1-M18x1.5	Lock Nut M18x1.5		4
14	BH5.10.002	BUCKET CYLINDER		1
15	BH5.10.015	STICK WELDMENT		1
16	BH5.10.103	PIN-STICK		1
17	BH5.10.104	BUSHING		2



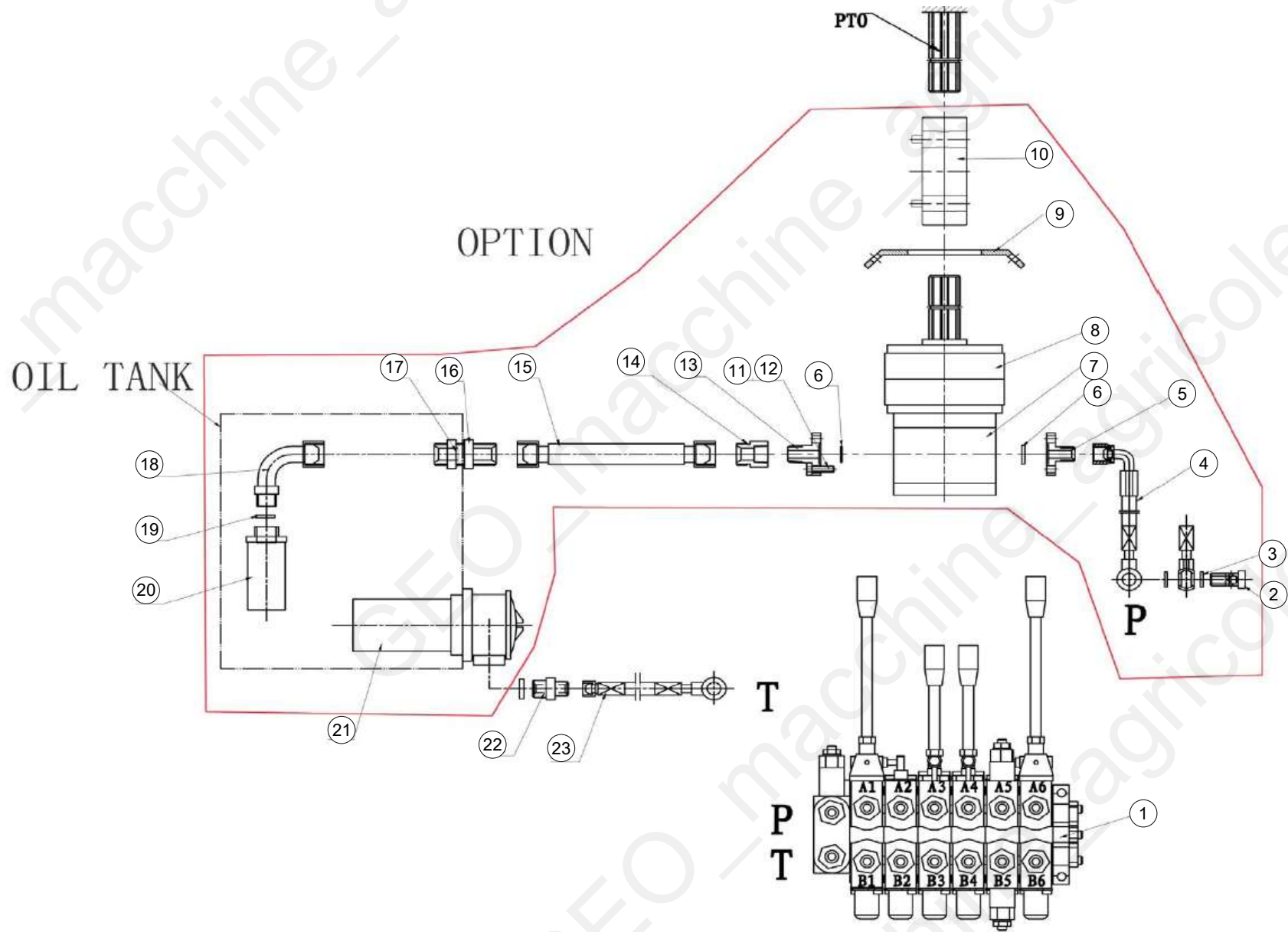
Pos	Code	Description	NOTE	Q.
1	GB889.1-M8	Locking nut M8		3
2	BH5.50.011	CONSOLE WELDM		1
3	GB5783-M8x35	bolt M8x35		2
4	BH5.50.101	PIN		2
5	BH5.50.013	SEAT BASE		1
6	RPIN.2.5	RPIN 2.5		2
7	GB5783-.M8x25	BOLT M8x25		2
8	GB93-8	Spring washer 8		1
9	GB97.1-8	Plain washer 8		1
10	BH5.50.012	HANDRAIL		1
11	BH5.50.020	SEAT		1



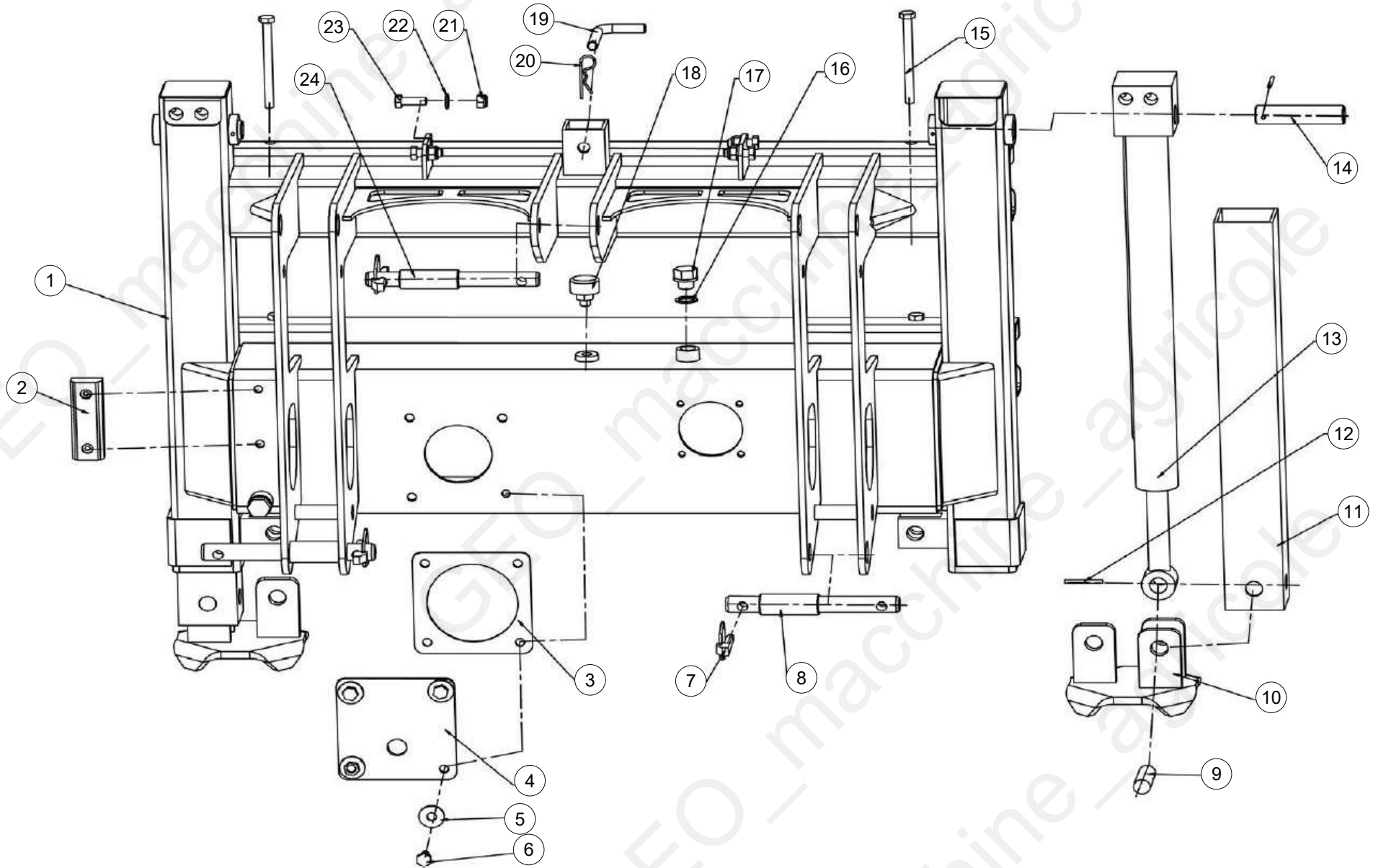
Pos	Code	Description	NOTE	Q.
33	BH5.60.111	BULKHEAD		1
38	BH5.60.019	HOSE1-SWCY		1
39	BH5.60.020	HOSE2-SWCY		1
40	BH5.60.021	HOSE1-DPCY		1
41	BH5.60.022	HOSE2-DPCY		1



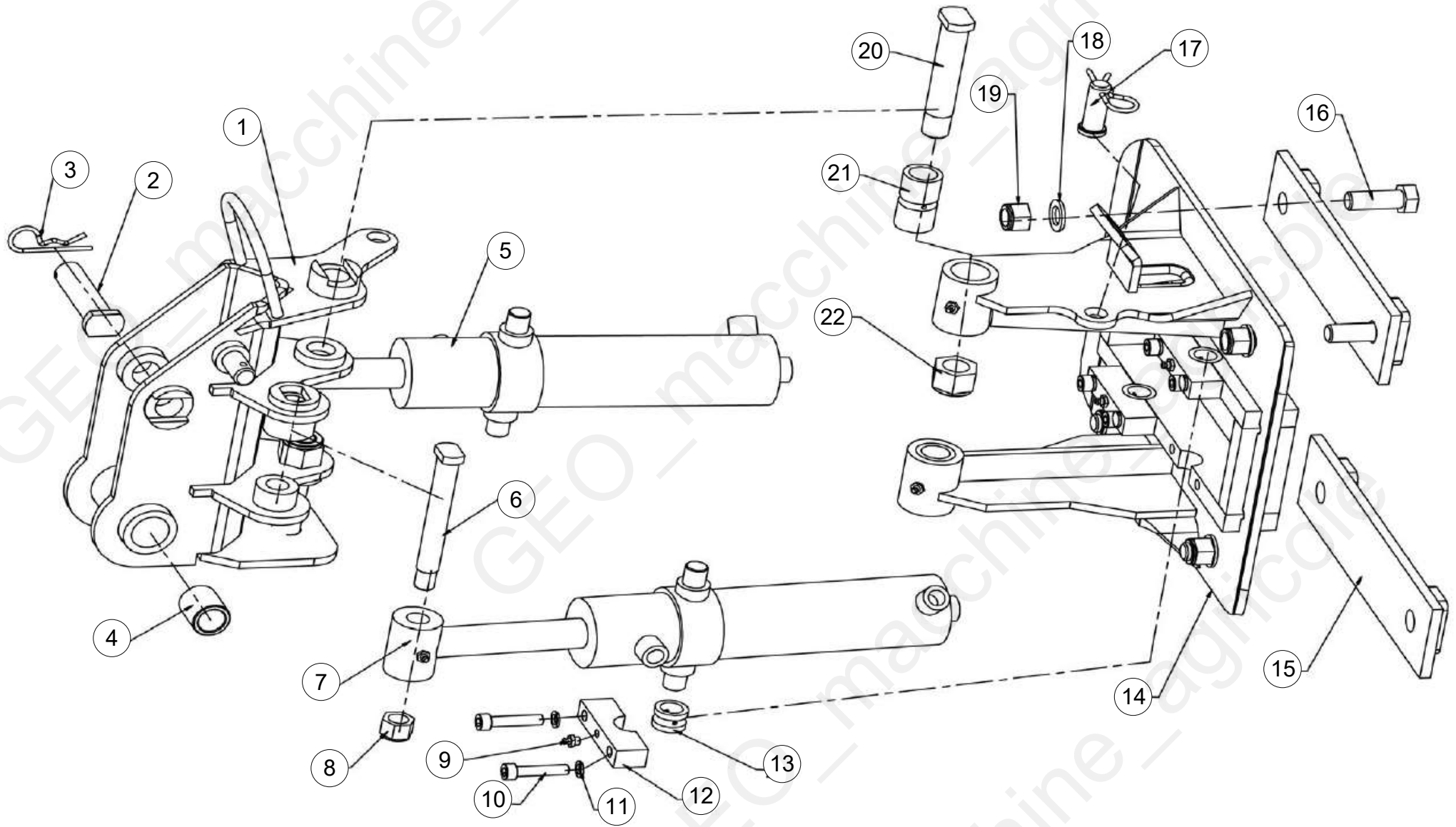
Pos	Code	Description	NOTE	Q.
24	BH5.60.108	BANJO FITTING		1
25	MK6.M14X1.5	THROTTLE VALVE		1
26	BH5.60.109	Fitting		1
27	JB/ZQ4454-14	SEAL 14		2
28	BH5.60.014	HOSE1-BCY		1
29	BH5.60.015	HOSE2-BCY		1
30	BH5.60.110	HOLLOW BOLT 16		18
31	JB/ZQ4454-16	Seal washer 16		40
32	BH5.60.016	HOSE1-BUCY		1
33	BH5.60.111	BULKHEAD		4
34	BH5.60.017	HOSE2-BUCY		1
35	BH5.60.018	HOSE-STCY		1
36	BH5.60.112	CONNECTOR		2
37	BH5.60.113	CONNECTOR		2



Pos	Code	Description	NOTE	Q.
1	DF6250	VALVE		1
2	BH5.60.101	BOLT 18		2
3	JB/ZQ4454-16	Seal washer 16		4
4	BH5.60.011.BH5.60.102	HOSE-INLET		1
5	BH5.60.102	FITTING		1
6	GB3452.1-.18x23x2.5	O-RING 18x23x2.5		2
7	CBN-E316	GEAR PUMP ASSEMBLY		1
8	PG-3	GEAR BOX		1
9	BK6N.06.114	PLATE		1
10	BK6N.07.001	LINK		1
11	GB5783-M8x25	bolt M8X25		8
12	GB93-8	Spring washer 8		8
13	BH5.60.103	ADAPTER-INLET		1
14	BH5.60.104	ADPTER		1
15	BH5.60.012	HOSE-PUMP		1
16	BH5.60.105	BULKHEAD		1
17	JB/ZQ4454-27	SEAL 27		1
18	BH5.60.106	ELBOW FITTING		1
19	JB/ZQ4454-22	SEAL 22		2
20	WU-25x100J	FILTER-OUTLET		1
21	RFA-25	FILTER-INLET		1
22	BH5.60.107	CONNECTOR		1
23	BH5.60.013	HOSE		1



Pos	Code	Description	NOTE	Q.
1	BH5.40.011	FRAME WELDMENT		1
2	YWZ-76	Oil level meter		1
3	BH5.40.107	SEAL		1
4	BH5.40.106	PLATE		1
5	GB96-10	Washer 10		4
6	GB5783-M10X20	Bolt M10x20		4
7	LPIN 12	LPIN12		3
8	BH5.40.108	Low Pin		2
9	BH5.40.105	PIN LOWER		2
10	BH5.40.012	STABILIZER PAD		2
11	BH5.40.104	TUBE CY		2
12	GB879-4x45	ROLL PIN 4x45		4
13	BH5.40.002	STABILIZER CYLINDER		2
14	BH5.40.103	PIN UPPER		2
15	GB5782-M10x120	half thread bolt		4
16	JB/ZQ4454-18	Combined seal 18		2
17	JB/ZQ4451-18x1.5	Plug m18x1.5		2
18	C-M12	Air filter c-m12		1
19	BH5.40.102	PIN SEAT		1
20	RPIN 2.5	RPIN 2.5		1
21	GB889.1-M10	Locking nut M10		8
22	GB97.1-10	PLAIN WASHER 10		4
23	GB5783-M10x30	Bolt M10X30		4
24	BH5.40.101	Upper Pin		1



Pos	Code	Description	NOTE	Q.
1	BH5.30.011	SWING WELDMENT		1
2	BH5.30.101	PIN-1		1
3	RPIN 4	RPIN 4		2
4	BH5.10.104	BUSHING		2
5	BH5.30.003	SWING CYLINDER,R		1
6	BH5.30.102	PIN-2		2
7	BH5.30.002	SWING CYLINDER,L		1
8	GB889.1-M18x1.5	Lock Nut M18x1.5		2
9	GB1152-M8x1	Grease Nipple M8x1		7
10	GB70.1-M10x50	SCREW M10x50		8
11	GB93-10	spring washer 10		8
12	BH5.30.103	CLAMP		4
13	BH5.30.104	BUSHING,CLAMP		4
14	BH5.30.012	SKID WELDMENT		1
15	BH5.30.013	SUPPORT WELDMENT		2
16	GB5782-M18x50	BOLT M18x50		4
17	BH5.30.105	LOCK PIN		1
18	GB97.1-18	Plain washer 18		4
19	GB889.1-M18	Lock Nut M18		4
20	BH5.30.106	PIN-3		2
21	BH5.30.107	BUSHING		2
22	GB889.1-M24x2	LOCK NUT M24x2		2