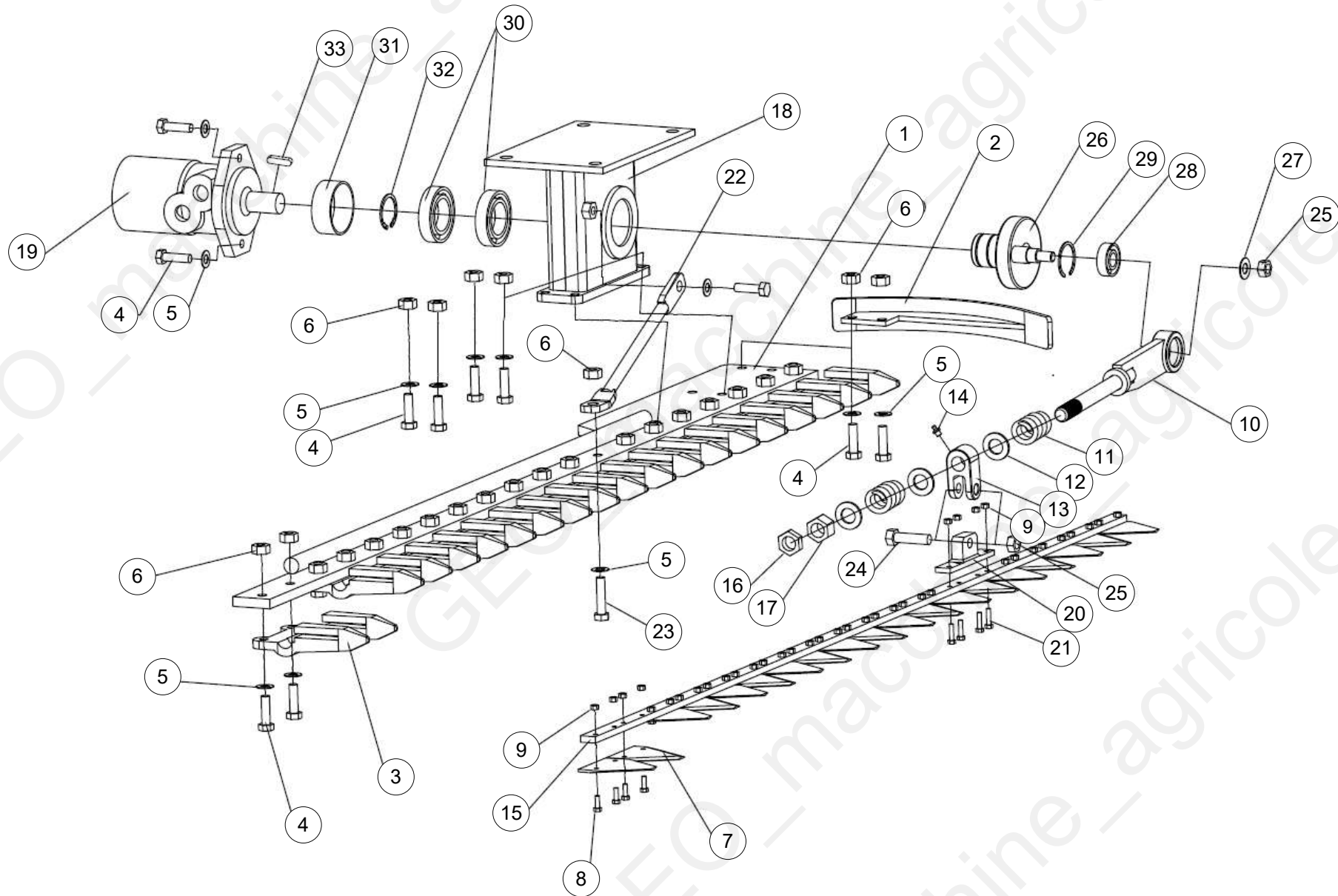


## AMD



# Table of Contents

Tavola	Page
AMD_parte 1	3



Pos	Code	Description	NOTE	Q.
1	CH120.011	Main frame 120		1
1	CH150.011	Main frame 150		1
1	CH180.011	Main frame 180		1
2	CH150.012	Skid		1
3	CH150.101	Knife protector		10
4	GB5783-86/M10x35	Bolt M10X35		28
5	GB97.1/10	Plain washer 10		29
6	GB/T889.1-10	Locking nut M10		26
7	CH150.102	Knife		0
8	GB5783-86/M5x15	Bolt M5X15		34
9	GB/T889.1-5	Locking nut M5		38
10	CH150.013	Connector		1
11	CH150.106	Spring		2
12	GB97.1/18	Plain Washer 18		3
13	CH150.104	Block		1
14	GB1152-89/M6	Grease nipple M6		1
15	CH120.105.15	Knife keeper 120 (15 KNIVES)		1
15	CH150.105.19	Knife keeper 150 (19 KNIVES)		1
15	CH180.105.23	Knife keeper 180 (23 KNIVES)		1
16	GB6172-86/M18	Thin nut M18		1
17	GB6170-86-M18	Nut M18		1
18	CH150.014	Bearing house		1
19	CH150.002	Hydraulic motor		1
20	CH150.103	Block		1
21	GB5783-86/M5x30	Bolt M5X30		8

Machine: AMD

Assembly: AMD\_parte 1



Pos	Code	Description	NOTE	Q.
22	CH150.015	Supporter		1
23	GB5783-86/M10x45	Bolt M10X45		1
24	GB5783-86/M12x45	Bolt M12X45		1
25	GB/T889.1-12	Locking nut M12		2
26	CH150.016	Bent axle		1
27	GB97.1/12	Plain washer 12		1
28	GB/T276-1994-6203	Bearing 6203		1
29	GB893.1-86/40	Circlip 40		1
30	GB/T276-1994-6008	Bearing 6008		2
31	CH150.107	Space bush		1
32	GB894.1-86-40	Circlip 40		1
33	GB/T1096-2003-A8X7X32	Key 8X7X32		1