

AGF



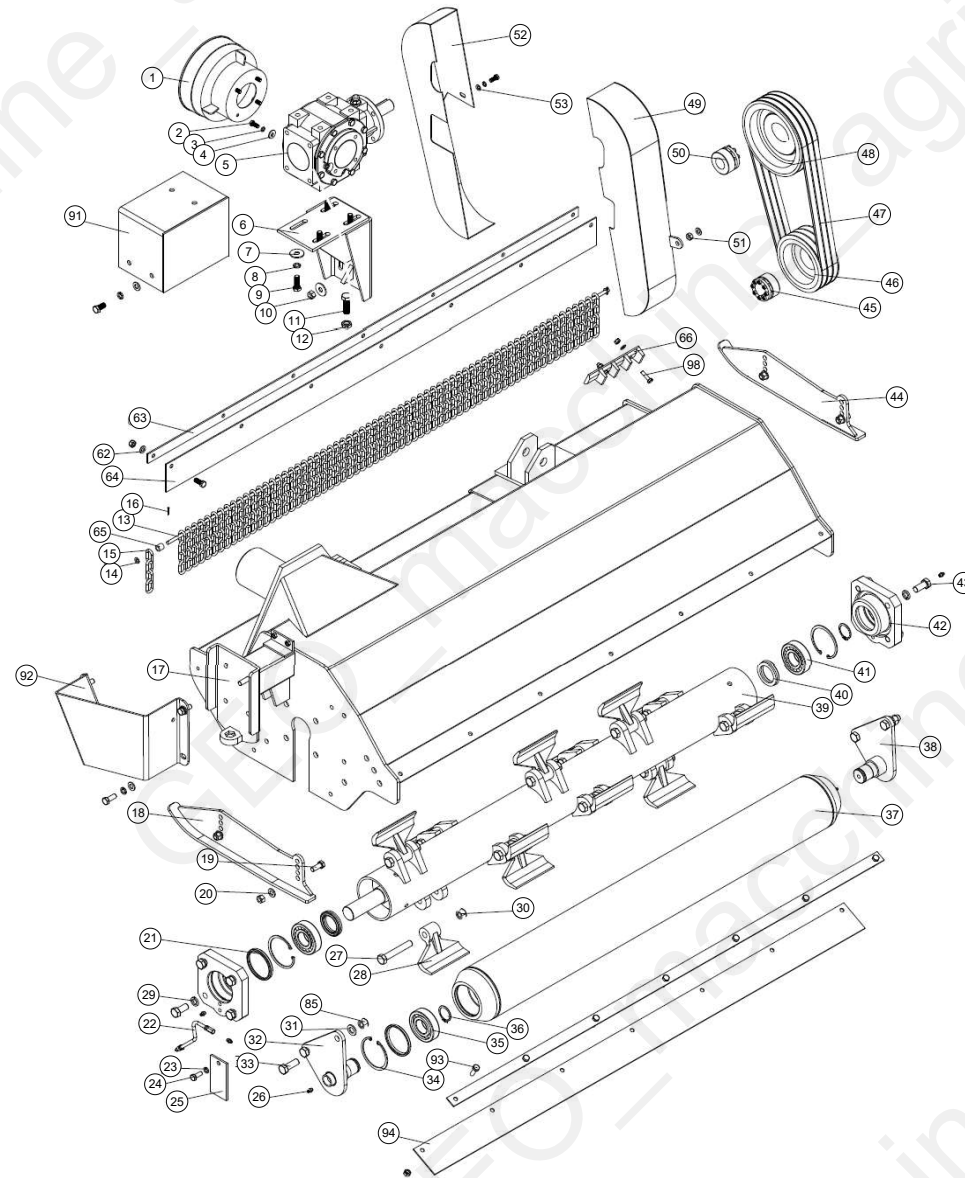
Table of Contents

Tavola	Page
AGF	3
AGF_2010_2014	14
AGF220	24

AGF



GEO Italy S.R.L.



Machine: AGF

Assembly: AGF_parte 1



Pos	Code	Description	NOTE	Q.
1	FM150.120	Guard shade		1
2	GB5783-86/M8X20	Bolt M8x20		6
3	GB93-87/8	Spring washer 8		6
4	GB96-85/8	Plain washer 8		4
5	XH50.300Z.03W	Gearbox AGE-(AGF140-180)		1
6	AGF140.026	Adjusting Frame For the Gearbox		1
7	GB96-85/12	Plain washer 12		10
8	GB93-87/12	Spring washer 12		12
9	GB5783-86/M12X35	Bolt M12x35		4
10	GB6184-86/M12	Locking nut M12		8
11	GB5786/M16X1.5X50	Bolt M16X1.5X50		1
12	GB6173-86/M16x1.5	Nut M16x1.5		1
13	AGF140.207	Shaft for Link AG 140		1
13	AGF160.207	Shaft for Link AG 160		1
13	AGF180.207	Shaft for Link AG 180		1
13	AGF200.207	Shaft for Link AG 200		1
13	AGF220.207	Shaft for Link AG 220		1
14	GB97.1-85/8	Plain washer 8		4
15	AGF140.030	Chain units		60
16	GB/T91-2000/2.5X16	Splitpin 2.5X16		2
17	AGF140.015	The cover weldment AGF140		1
17	AGF160.015	The cover weldment AGF160		1
17	AGF180.015	The cover weldment AGF180		1
17	AGF200.015	The cover weldment AGF200		1
17	AGF220.015	The cover weldment AGF 220		0

Pos	Code	Description	NOTE	Q.
18	AGF140.028	Base plate (L)		1
19	GB5783-86/M12X30	Bolt M12x30		12
20	GB97.1-85/12	Plain washer 12		12
21	GB13871-94/40X90X10	Oil seal 40X90X10		3
22	AGF140.034	Little Grease pipe		1
23	GB93-87/10	Spring washer 10		4
24	GB5783-86/M10X25	Bolt M10x25		14
25	AGF140.209	Fender		1
26	GB1152-89/M10X1	Oil cup M10X1		9
27	GB5785-86/M16X1.5X100	Bolt M16X1.5X100		12
28	EFAG.140.103	Hammer AG 16,5		12
29	GB93-87/16	Spring washer 16		8
30	GB6185.2-86/M16X1.5	Locking nut M16X1.5		12
31	GB97.1-85/16	Plain washer 16		4
32	AGF140.033	Supporting for roller (R)		1
33	GB5783-86/16X45	Bolt M16X45		4
34	GB893.1-86/90	Circlip 90		4
35	GB/T276-94/6308	Bearing 6308		2
36	GB894.1-86/40	Circlip 40		3
37	AGF140.022	Roller weldment 140		1
37	AGF160.022	Roller weldment 160		1
37	AGF180.022	Roller weldment 180		1
37	AGF200.022	Roller weldment 200		1
37	AGF220.022	Roller weldment 220		1
38	AGF140.032	Supporting for roller (L)		1

Machine: AGF

Assembly: AGF_parte 1



Pos	Code	Description	NOTE	Q.
39	AGF140.023	Blade axle weldment AGF140		1
39	AGF160.023	Blade axle weldment AGF160		1
39	AGF180.023	Blade axle weldment AGF180		1
39	AGF200.023	Blade axle weldment AGF200		1
39	AGF220.023	Blade axle weldment AGF220		1
40	GB13871-94/45X80X10	Oil seal 45X80X10		2
41	GB/T281-94/1308	Bearing1308		2
42	AGF140.104	Bearing seat		2
43	GB5783-86/M16X35	Bolt M16X35		8
44	AGF140.029	Base plate (R)		1
45	JB/T7934Z3/40X80	Swellable sleeve 40X80		1
46	AGF140.202	Small belt pulley 165mm 3 grooves		1
47	GB/1154-17.52	BELT SP B 52 (1321Li)		3
48	AGF140.203	Big belt pulley 220mm 3 grooves		1
49	AGF140.014	Belt cover (R) (3 gole 10-5cm)		1
50	JB/T7934Z3/33X80	Swellable sleeve 33X80		1
51	GB6184-86/M10	Locking nut M10		24
52	AGF140.013	Belt cover (L) (3 gole 10-5cm)		1
53	GB97.1-85/8	Plain washer 8		4
62	GB97.1-85/10	Plain washer 10		36
63	AGF140.206	Press plate AG 140		1
63	AGF160.206	Press plate AG 160		1
63	AGF180.206	Press plate AG 180		1
63	AGF200.206	Press plate AG 200		1
63	AGF220.206	Press plate AG 220		1

GEO Italy S.R.L.

Via G. Abbate, 215, 14054 Castagnole delle Lanze AT

Page 7

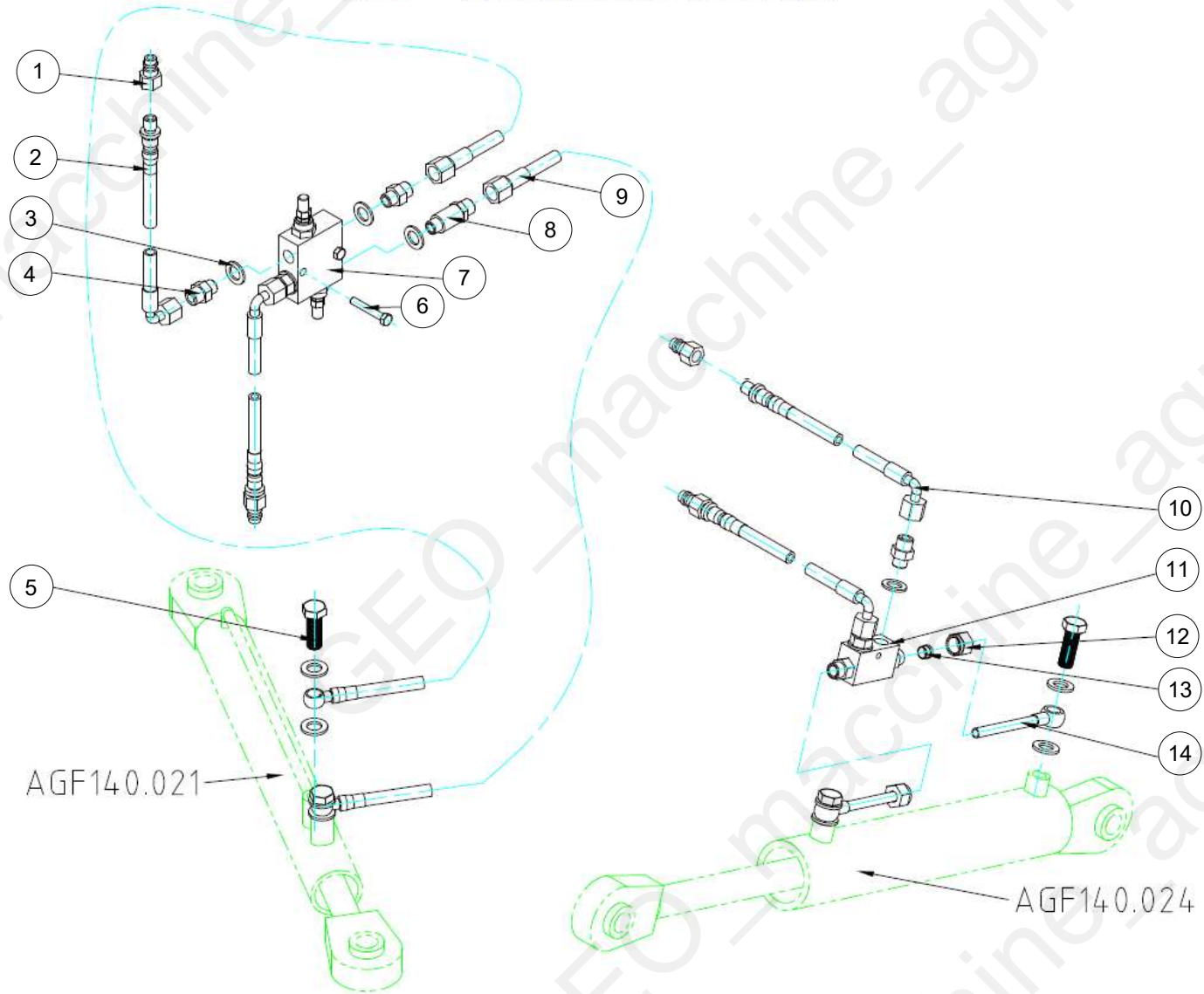
Machine: AGF

Assembly: AGF_parte 1



Pos	Code	Description	NOTE	Q.
64	AGF140.208	Rubber plate AG 140		1
64	AGF160.208	Rubber plate AG 160		1
64	AGF180.208	Rubber plate AG 180		1
64	AGF200.208	Rubber plate AG 200		1
64	AGF220.208	Rubber plate AG 220		1
65	AGF140.111	Sleeve of chain		60
66	AGF140.204	Cast plate		7
85	GB6184-86/M16	Locking nut M16		1
91	AGF140.035	Gear box Cover		1
92	AGF140.205	Belt pulley Cover 4 grooves		1
93	AGF.01.093	Bolt		0
94	AGF140.01.094	Back Rubber AGF140		1
94	AGF160.01.094	Back Rubber AGF160		1
94	AGF180.01.094	Back Rubber AGF180		1
94	AGF200.01.094	Back Rubber AGF200		1
94	AGF220.01.094	Back Rubber AGF220		1
98	GB5783-86/M10×35	Bolt M10x35		1
39	AGF180.025			1

AGF HYDRAULIC SYSTEM

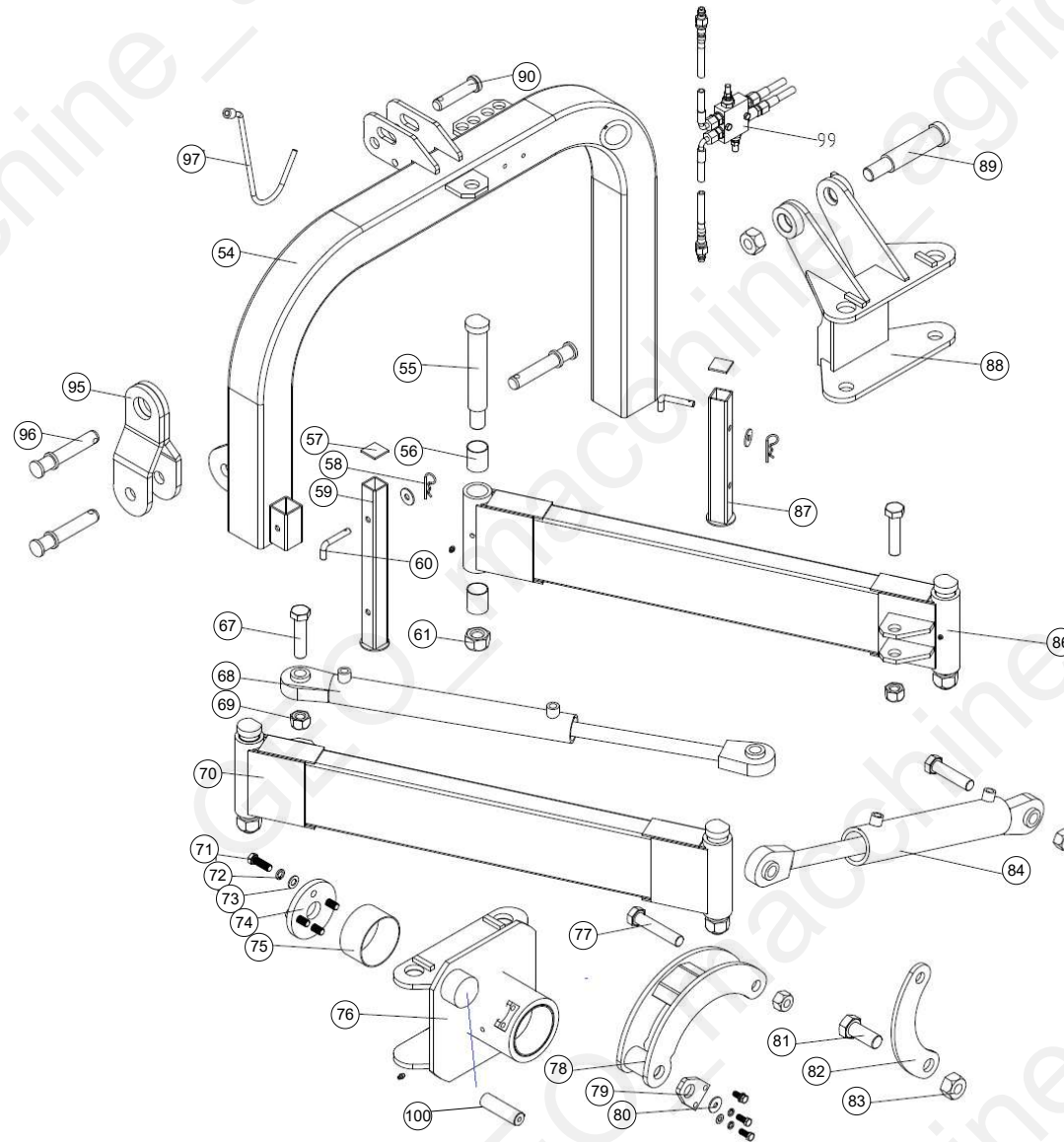


Machine: AGF

Assembly: AGF_parte 2



Pos	Code	Description	NOTE	Q.
1	EFGCH125.013	Quick connector R1/2"		4
2	AGF140.041	Oil pipe		2
3	JB/T.982-1977	Seal washer 16		14
4	AGF140.401	Short Adaptor		5
5	GB/T.3451-83	Bolt M16X1.5X45		4
6	GB/T.5782-2000-M8x40	Bolt M8X40		2
7	AGF140.042	Valve		1
8	AGF140.402	Long Adaptor		1
9	AGF140.043	Oil pipe		2
10	AGF140.044	Oil pipe		2
11	AGF140.046	Valve		1
12	AGF140.403	Nut		2
13	AGF140.404	Bushing		2
14	AGF140.045	Adaptor weldment		2



Pos	Code	Description	NOTE	Q.
54	AGF140.016	Hanging weldment		1
55	AGF140.101	Pin (L)		4
56	SF-2/40X44X50	Bushing 40X44X50		8
57	AGF140.108	Plastic cover		2
58	EFGC125.110	R Pin 3.2		2
59	AGF140.011	Supporting frame (S)		1
60	1G135.00.107	Plug Pin		2
61	GB6184-86/M30X2	Locking nut M30X2		5
67	GB5781-86/M24X100	Bolt M24X100		3
68	AGF140.021	Parallel movement cylinder		1
69	GB6184-86/M24	Locking nut M24		4
70	AGF140.018	Front swinging arm		1
71	GB5783-86/M14X35	Bolt M14x35		4
72	GB93-87/14	Spring washer 14		4
73	GB97.1-85/14	Plain washer 14		4
74	AGF140.105	Cover		1
75	SF-2/110X115X60	Bushing 110X115X60		2
76	AGF140.025	Rotating shaft		1
77	GB5781-86/M24X120	Bolt M24X120		1
78	AGF140.027	The moon plate		1
79	AGF140.102	Clamping block		1
80	AGF140.1003	Washer		1
81	GB5783-86/M30X70	Bolt M30X70		1
82	AGF140.107	Push pedal		1
83	GB6184-86/M30	Locking nut M30		1

Machine: AGF

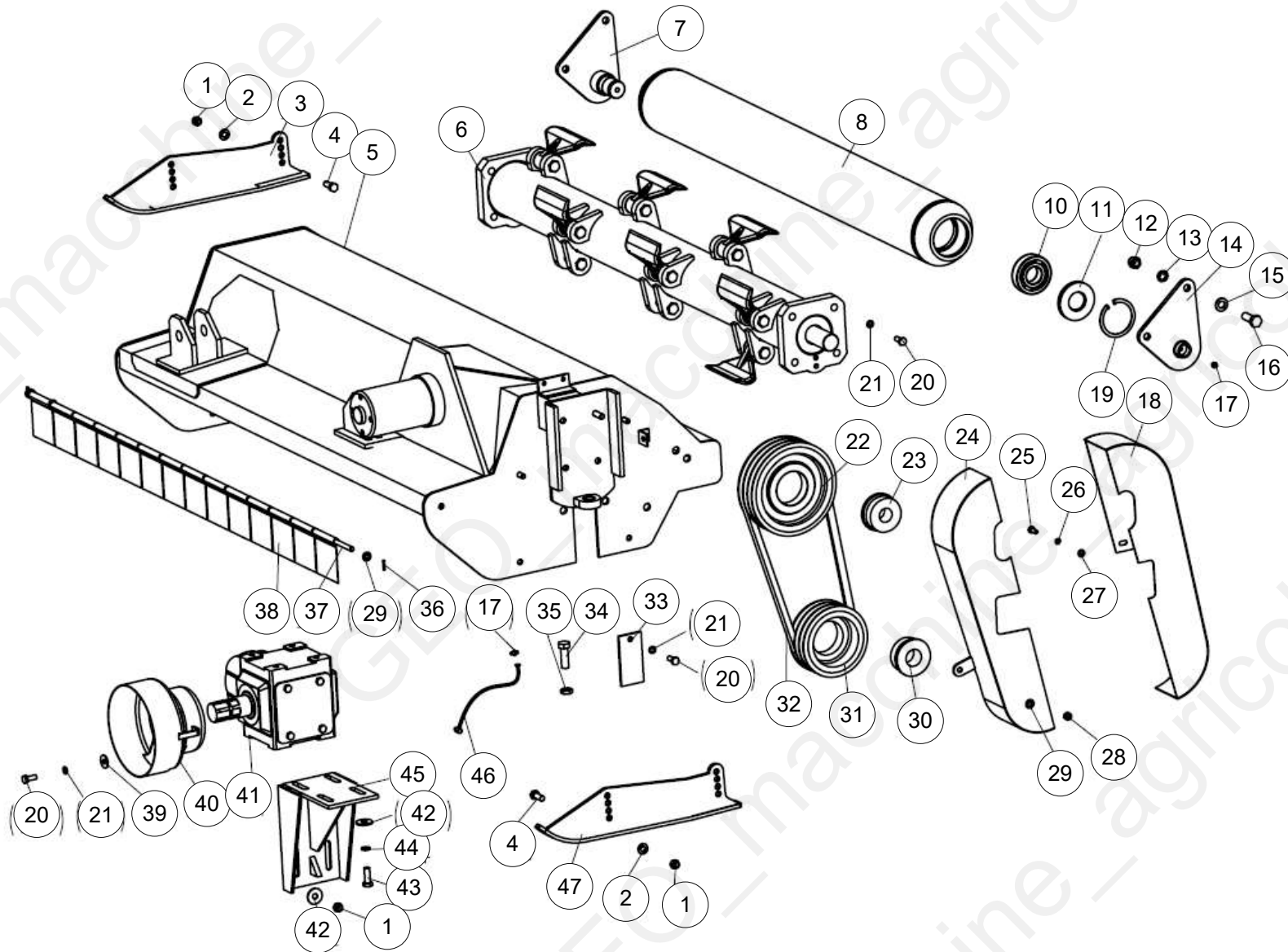
Assembly: AGF_parte 3



Pos	Code	Description	NOTE	Q.
84	AGF140.024	Side sway cylinder		1
86	AGF140.019	Rear swinging arm		1
87	AGF140.012	Supporting frame (L)		1
88	AGF140.017	Sway seat		1
89	AGF140.106	Pin (S)		1
90	AGF140.109	Pin shaft		1
95	AGF140.031	Small Hanging weldment		1
96	AGF140.210	Pin for lifting		3
97	EFGC125.124	Hook		1
99	AGF140.004	HYDRAULIC SYSTEM		1
100	AGF_PIN	AGF PIN ROTATING SHAFT		1

AGF_2010_2014





Pos	Code	Description	NOTE	Q.
1	GB6184-86/M12	Locking nut M12		8
2	GB97.1-85/12	Plain washer 12		4
3	EFGC120.013	Base plate (L)		1
4	GB5783-86/M12x30	Bolt M12x30		4
5	EFAGF140.015	The cover weldment 140		1
5	EFAGF160.015	The cover weldment 160		1
5	EFAGF180.015	the cover weldment 180		1
5	EFAGF200.015	The cover weldment 200		1
7	EFAG140.020	Supporting for roller (L)		1
8	EFAG140.017	Roller weldment 140		1
8	EFAG160.017	Roller weldment 160		1
8	EFAG180.017	Roller weldment 180		1
8	EFAG200.017	Roller weldment 200		1
8	EFAG220.017	Roller weldment 220		1
9	GB894.1-86-40	Circlip 40		2
10	GB/T276-94-6308	Bearing 6308		2
11	GB13871-94-40X90X10	Oil seal 40X90X10		3
12	GB6184-86/M16	Locking nut M16		16
13	GB93-87-16	Spring lock washer 16		4
14	EFAG140.022	Supporting for roller (R)		1
15	GB97.1-85/16	Plain washer 16		4
16	GB5783-86/M16x45	Bolt M16X45		4
17	GB1152-89/M10X1	Oil cup M10X1		9
18	EFAGF140.014	Belt cover (R)		1
19	GB893.1-86/90	Circlip 90		4

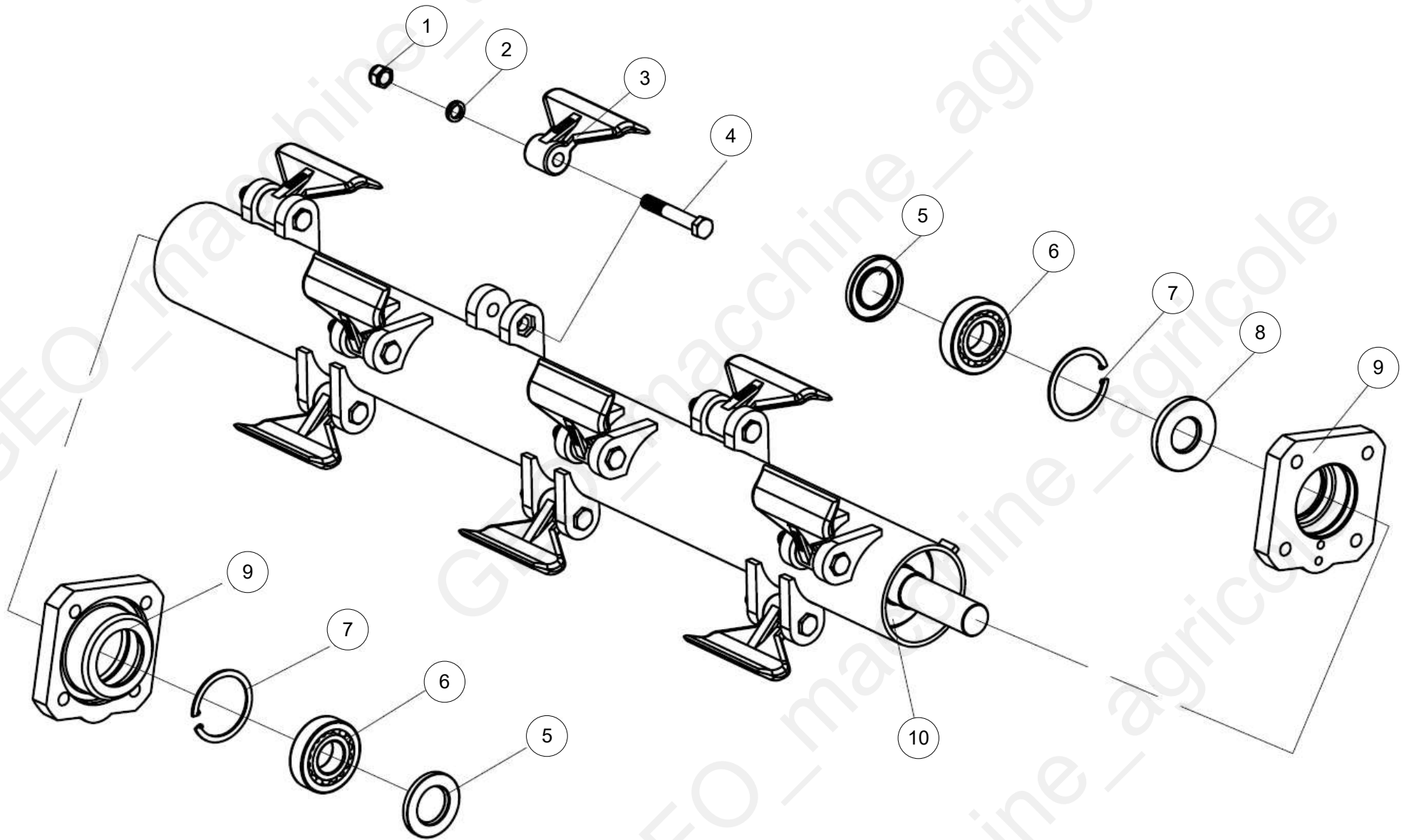
Pos	Code	Description	NOTE	Q.
20	GB5783-86/M10X25	Bolt M10x25		8
21	GB93-87-10	Spring lock washer 10		8
22	AGF140.203	Big belt pulley 220mm 3 grooves		1
23	JB/T7934Z3/33X80	Swellable sleeve 33X80		1
24	EFAGF140.013	Belt cover (L)		1
25	GB5783-86/M8x20	Bolt M8x20		2
26	GB93-87-8	Spring lock washer 8		2
27	GB97.1-85/8	Plain washer 8		2
28	GB6184-86/M10	Locking nut M10		2
29	GB97.1-85/10	Plain washer 10		21
30	JB/T7934Z3/40X80	Swellable sleeve 40X80		1
31	AGF140.202	Small belt pulley 165mm 3 grooves		1
32	GB/1154-17.53	BELT B 53 (1351Li)		3
33	EFAG140.106	Fender		1
34	GB5783-86/M16X1.5	Bolt M16X1.5X50		1
35	GB6173-86/M16x1.5	Nut M16x1.5		1
36	GB879-86/4X22	Elastic cylindrical pin 4x22		2
37	EFAG140.101	Shaft for fender 140		1
37	EFAG160.101	SHaft for fender 160		1
37	EFAG180.101	Shaft for fender 180		1
37	EFAG200.101	Shaft for fender 200		1
37	EFAG220.101	Shaft for fender 220		1
38	EF100.00.122	Fender		14
39	GB96-85-10	Plain washer 10		4
40	EF100.00.112	Guard Shade		1

Machine: AGF_2010_2014

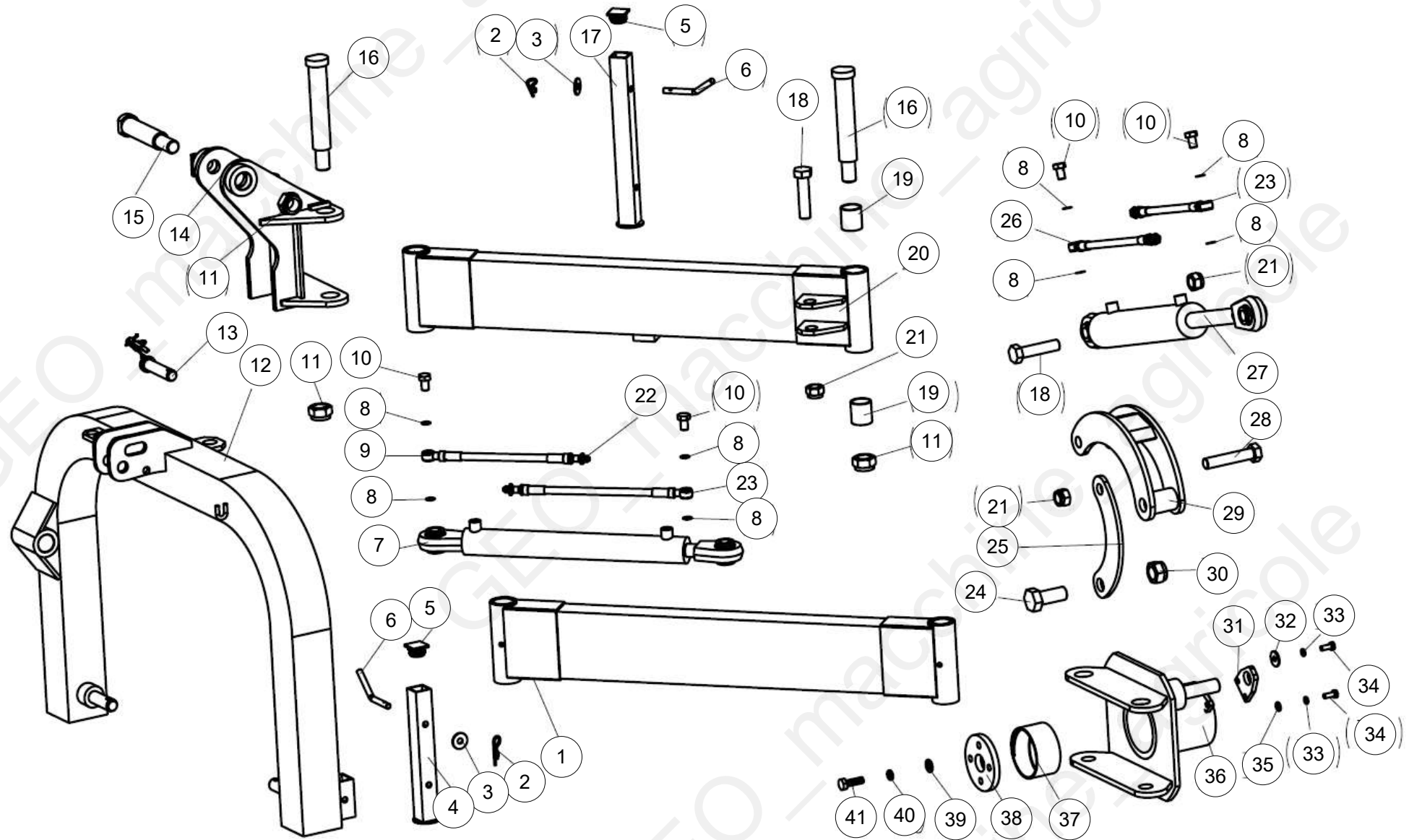
Assembly: AGF_old_parte 1



Pos	Code	Description	NOTE	Q.
41	XH50.003Z.03	Gear box assembly		1
42	GB96-85-12	Plain washer 12		10
43	GB5783-86/M12x35	Bolt M12×35		4
44	GB93-87-12	Spring lock washer 12		4
45	EFAGF140.026	Adjusting frame for the gear box		1
46	AGF.001.046	Union elbow M10X1		1
47	EFGC120.014	Base plate (R)		1



Pos	Code	Description	NOTE	Q.
1	GB6184-86/M16	Locking nut M16		12
2	GB93-87-16	Spring lock washer 16		12
3	EFAG.140.103	Hammer AG 16,5		12
4	GB5782-86/M16x100	Bolt M16X100		12
5	GB13871-94-45X80X10	Oil seal 45X80X10		2
6	GB/T281-94	Bearing1308		2
7	GB893.1-86/90	Circlip 90		2
8	GB13871-94-40X90X10	Oil seal 40X90X10		1
9	EFAG140.102	Bearing seat		2
10	EFAG140.019	Blade axle weldment 140		1
10	EFAG160.019	Blade axle weldment 160		1
10	EFAG180.019	Blade axle weldment 180		1
10	EFAG200.019	Blade axle weldment 200		1
10	EFAG220.019	blade axle weldment 220		1

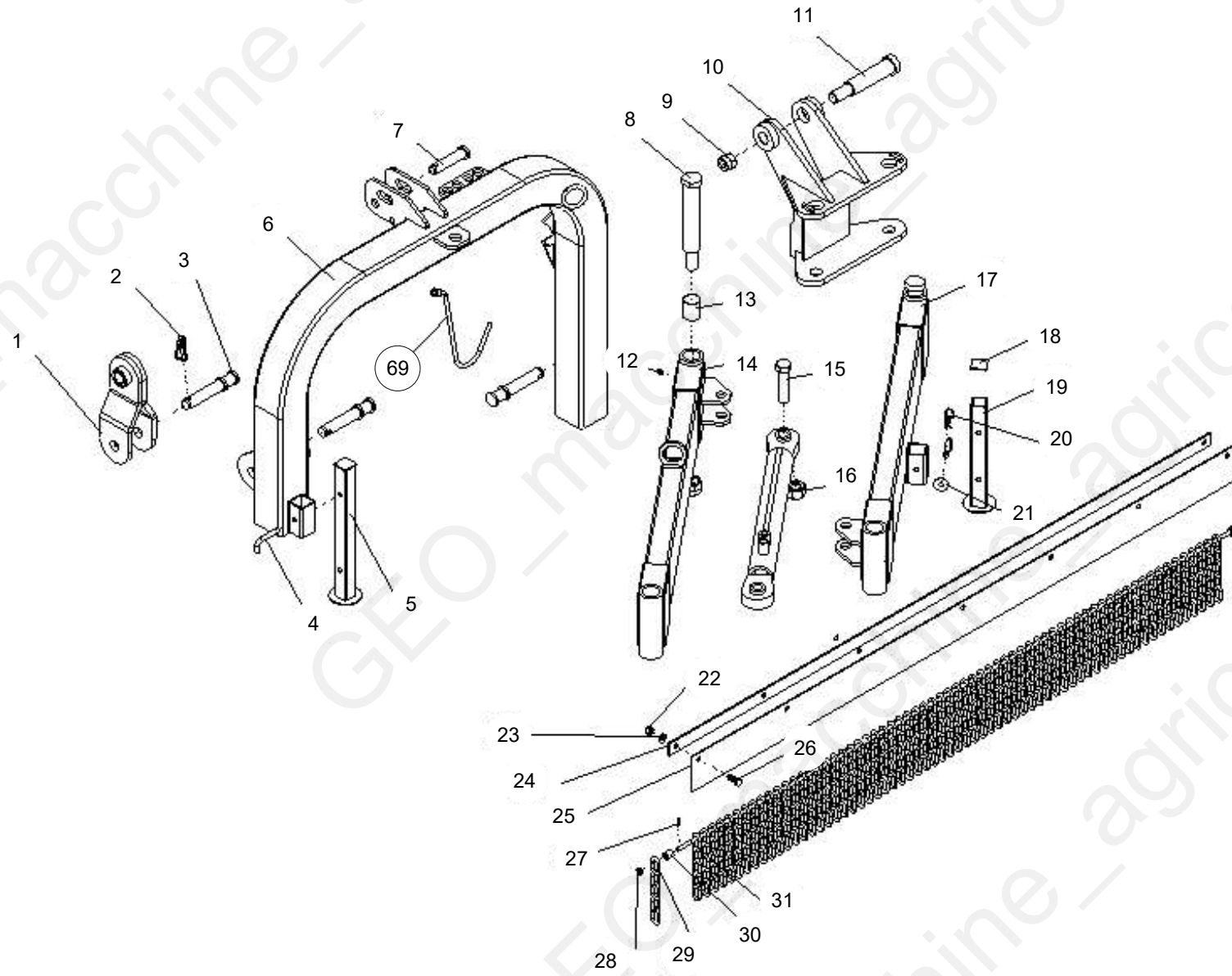


Pos	Code	Description	NOTE	Q.
1	EFAGF140.018	Front swing arm(140-180)		1
2	1G-150-01-142	R Pin		2
3	GB96-85-12	Plain washer 12		10
4	EFAGF140.011	Supporting frame (S)		1
5	MFP120.00.101	Insert Plastic 40×40×2.6-4 MM		2
6	EF100.00.111	square angle pin		2
7	EFAGF140.021	Parallel movement cylinder		1
8	GB3451-86/16	Washer 16		8
9	EFAGF140.020	Oil pipe (S)		1
10	GB3451-83-M16x1.5	Bolt M16X1.5		4
11	GB6184-86/M30	Locking nut M30		5
12	EFAGF140.016	Hanging weldment		1
13	1G-180.00.019	Pin shaft		1
14	EFAGF140.017	Sway seat		1
15	EFAGF140.106	Short pin		1
16	EFAGF140.101	Long pin		4
17	EFAGF140.012	Supporting frame (L)		1
18	GB5781-86-M24X100	Bolt M24X100		3
19	EFAG140.105	Bushing		8
20	EFAGF140.019	Rear swing arm(140-180)		1
21	GB6184-86/M24	Locking nut M24		4
22	QC-R1/2-M	Quick Connector R1/2		4
23	EFAGF140.022	Oil pipe		2
24	GB5783-86/M30x70	Bolt M30X70		1
25	EFAGF140.107	Push pedal		1

Pos	Code	Description	NOTE	Q.
26	EFAGF140.023	Oil pipe (L)		1
27	EFAGF140.024	Side sway cylinder		1
28	GB5781-86-M24X120	Bolt M24X120		1
29	EFAGF140.027	The moon plate AGFN(140N-160N-180N)		1
30	GB6184-86/M30	Locking nut M30		1
31	EFAGF140.102	Clamping block		1
32	EFAGF140.103	Washer		1
33	GB93-87-10	Spring lock washer 10		8
34	GB5783-86/M10X25	Bolt M10x25		8
35	GB97.1-85/10	Plain washer 10		21
36	EFAGF140.025	Rotating shaft		1
37	EFAGF140.104	Bushing		2
38	EFAGF140.105	Cover		1
39	GB97.1-85/14	Plain washer 14		4
40	GB93-87-14	Spring lock washer 14		4
41	GB5783-86/M14x45	Bolt M14X45		4

AGF220





Machine: AGF220

Assembly: AGF220_parte 1



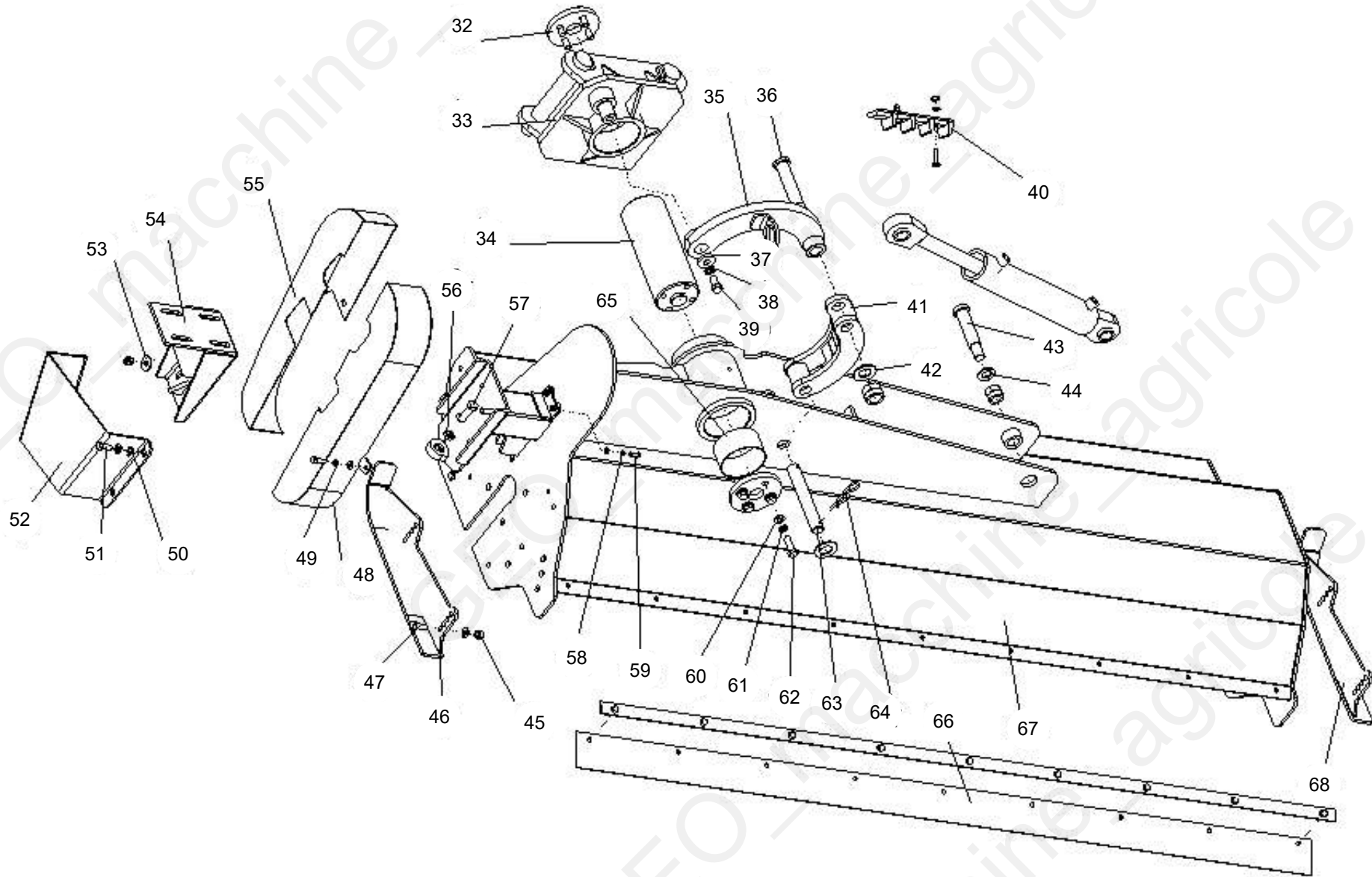
Pos	Code	Description	NOTE	Q.
1	AGF140.031	Small Hanging weldment		1
2	FEL300.111	Lock pin 12		3
3	AGF140.210	Pin for lifting		3
4	1G135.00.107	Plug Pin		2
5	AGF140.011A	Supporting frame (S)		1
6	AGF220.016	Hanging weldment		1
7	AGF140.109	Pin shaft		1
8	AGF140.101	Pin (L)		4
9	GB/T889.1-2000-30	Locking nut M30X2		6
10	AGF140.017	Sway seat		1
11	AGF140.106	Pin (S)		1
12	JB/T7940.1-95-M10	Oil cup M10X1		7
13	SF-2/40X44X50	Bushing 40X44X50		8
14	AG220.1018	Front swinging arm		1
15	GB/T5782-2000-M24X100	Bolt M24X100		2
16	GB/T889.1-2000-24	Locking nut M24		3
17	AGF220.019	Rear swinging arm		1
18	AGF140.108	Plastic cover		2
19	AGF140.012A	Supporting frame (L)		1
20	FEL300.114	R pin 3.2		2
21	GB/T97.1-2000-12	Plain washer 12		10
22	GB/T889.1-2000-M10	Locking nut M10		40
23	GB/T97.1-2000-10	Plain washer 10		42
24	AGF220.209	Press plate		2
25	AGF220.110	Rubber plate		1

Machine: AGF220

Assembly: AGF220_parte 1



Pos	Code	Description	NOTE	Q.
26	GB/T5782-2000-M10x30	Bolt M10x30		42
27	GB/T91-2000/3.2x25	Cotter pin 3.2x25		2
28	GB/T97.1-2000-8	Plain washer 8		4
29	AGF140.030	Chain units		92
30	AGF140.111	Sleeve of chain		93
31	AGF220.101	Shaft for Link		1
69	EFGC125.125	Bottom plate		1



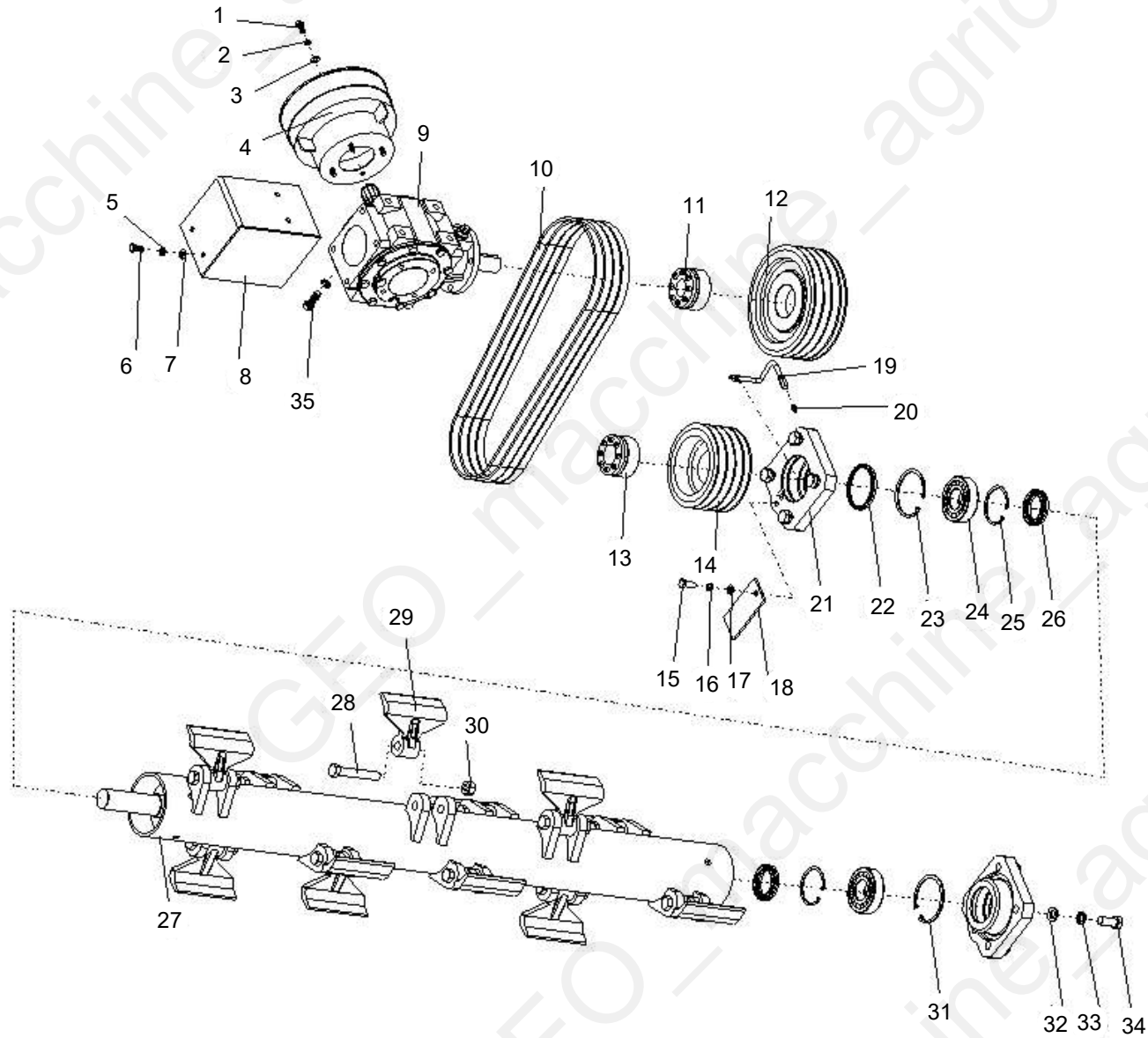
Pos	Code	Description	NOTE	Q.
32	AGF140.105	Cover		2
33	AGF220.025	Rotating shaft		1
34	AGF220.105	Shaft		1
35	AGF220.027	The moon plate		1
36	AGF220.106	Top Pin		1
37	AGF220.104	Thick washer		1
38	GB/T93-2002-16	Spring washer 16		1
39	GB/T5782-2000-M16x30	Bolt M16X30		1
40	AGF140.204	Cast plate		11
41	AGF220.037	Push pedal		1
42	GB/T97.1-2002-30	Plain washer 30		3
43	AGF220.103	Bottom Pin		1
44	GB/T97.1-2002-24	Plain washer 24		3
45	GB/T889.1-2000-M12	Locknut M12		8
46	AGF140.028	Base plate (L)		1
47	GB/T5782-2000-M12x35	Bolt M12x35		7
48	AGF140.203A	Belt cover (R) (4 gole 12-5cm)		1
49	GB/T93-2002-12	Spring washer 12		2
50	GB/T93-2002-12	Spring washer 12		4
51	GB/T5782-2000-M12x30	Bolt M12X30		4
52	AGF220.036A	Belt pulley Cover		1
53	GB/T96-2002-8	Plain washer 8		4
54	AGF140.026	Adjusting Frame For the Gearbox		1
55	AGF140.013A	Belt cover (L) (4 gole 12-5cm)		1
56	GB/T6173-2000-M16x1.5	Nut M16x1.5		1

Machine: AGF220

Assembly: AGF220_parte 2



Pos	Code	Description	NOTE	Q.
57	GB/T5786-2000-M16X50	Bolt M16X1.5x50		1
58	GB/T93-2002-8	Spring washer 8		2
59	GB/T5782-2000-M8x20	Bolt M8X20		2
60	GB/T97.1-2002-14	Plain washer 14		8
61	GB/T93-2002-14	Spring washer 14		8
62	GB/T5782-2000-M14x45	Bolt M14X45		8
63	AGF220.107	Shaft		1
64	WD70.102	R pin		2
65	SF-2/.110X115X60	Bushing 110X115X60		3
66	AGF220.208	Rubber plate AG 220		1
67	AGF220.015	The cover weldment AGF 220		1
68	AGF140.029	Base plate (R)		1



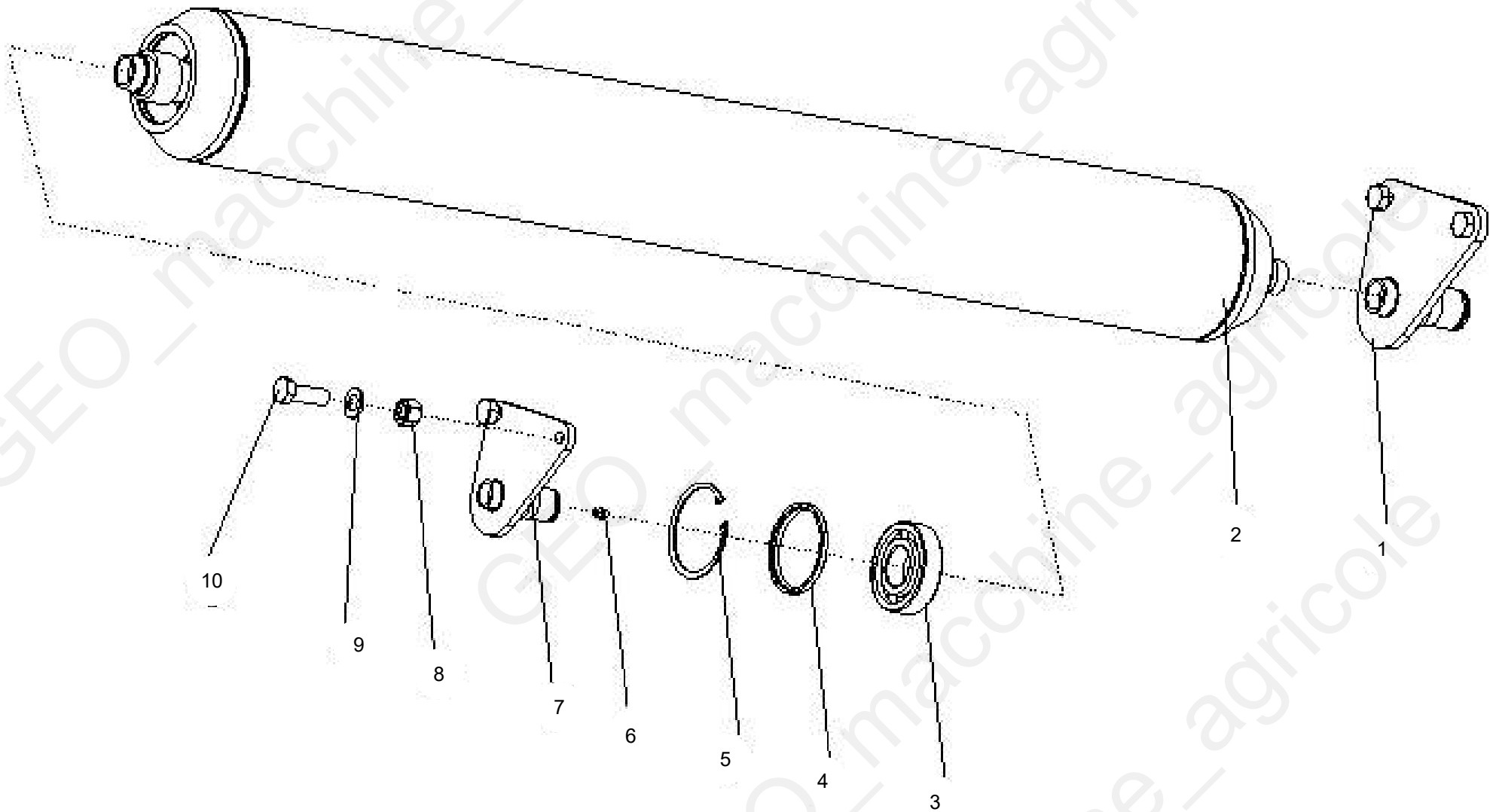
Pos	Code	Description	NOTE	Q.
1	GB/T5782-2000-M8x20	Bolt M8X20		4
2	GB/T93-2002-8	Spring washer 8		4
3	GB/T96-2002-8	Plain washer 8		4
4	FM150.120	Guard shade		1
5	GB/T93-2002-12	Spring washer 12		8
6	GB/T5782-2000-M12x30	Bolt M12X30		4
7	GB/T97.1-2002-12	Plain washer 12		8
8	AGF140.035	Gear box Cover		1
9	XH50.300Z.03W	Gearbox AGE-(AGF140-180)		1
10	GB/1154-17.55	BELT SP B 55 (1393Li)		4
11	JB/T7934Z3/33X80	Swellable sleeve 33X80		1
12	AGF220.203.4	Big belt pulley 220 mm 4 grooves		1
13	JB/T7934Z3/40X80	Swellable sleeve 40X80		1
14	AGF220.202.4	Small belt pulley 165 mm 4 grooves		1
15	GB/T5782-2000-M10x25	Bolt M10x25		1
16	GB/T93-2002-10	Spring washer 10		1
17	GB/T97.1-2002-10	Plain washer 10		1
18	AGF140.209	Fender		1
19	AGF140.034	Little Grease pipe		1
20	GB/T1152-89	Oil cup		2
21	AGF140.104	Bearing seat		2
22	GB/T13871-94	Oil seal		1
23	GB/T893.1-86	Circlip		2
24	GB/T281-94	Bearing1308		2
25	GB/T893.1-86	Circlip		2

Machine: AGF220

Assembly: AGF220_parte 3



Pos	Code	Description	NOTE	Q.
26	GB/T13871-94	Oil seal		2
27	AGF220.023	Blade axle weldment AGF220		1
28	GB/T5782-2000-M16x100	Bolt M16x1.5x100		20
29	EFAG.140.103	Hammer AG 16,5		20
30	GB/T889.1-2000	Locking nut		20
31	GB/T894.1-86	Circlip		1
32	GB/T97.1-2002-16	Plain washer 16		8
33	GB/T93-2002-16	Spring washer 16		8
34	GB/T5782-2000-M16x35	Bolt M16X35		8
35	GB/T5782-2000-M12x35	Bolt M12x35		4

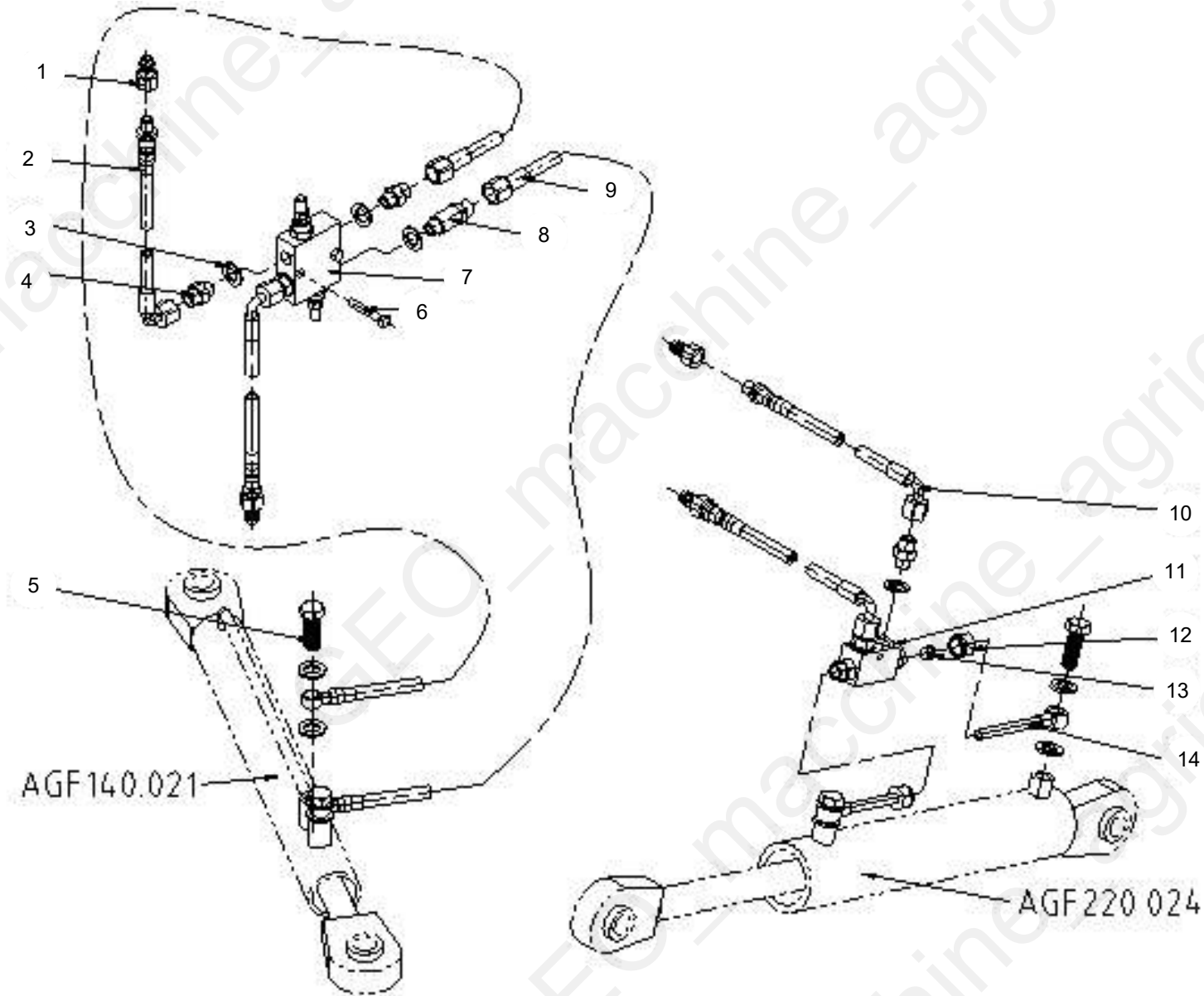


Machine: AGF220

Assembly: AGF220_parte 4



Pos	Code	Description	NOTE	Q.
1	AGF140.033	Supporting for roller (R)		1
2	AGF220.022	Roller weldment 220		1
3	GB/T276-94	Bearing		2
4	GB13871-94-40X90X10	Oil seal 40X90X10		2
5	GB/T893.1-86	Circlip		2
6	JB/T7940.1-95	Oil cup		2
7	AGF140.032	Supporting for roller (L)		1
8	GB/T889.1-2000	Locking nut		4
9	GB/T97.1-2002-16	Plain washer 16		4
10	GB/T5782-2000-M16x45	Bolt M16X45		4



Machine: AGF220

Assembly: AGF220_parte 5



Pos	Code	Description	NOTE	Q.
1	EFGCH125.013	Quick connector R1/2"		4
2	AGF140.041	Oil pipe		2
3	JB/T.982-1977	Seal washer 16		14
4	AGF140.401	Short Adaptor		5
5	GB/T.3451-83	Bolt M16X1.5X45		4
6	GB/T.5782-2000-M8x40	Bolt M8X40		2
7	AGF140.042	Valve		1
8	AGF140.402	Long Adaptor		1
9	AGF140.043	Oil pipe		2
10	AGF140.044	Oil pipe		2
11	AGF140.046	Valve		1
12	AGF140.403	Nut		2
13	AGF140.404	Bushing		2
14	AGF140.045	Adaptor weldment		2