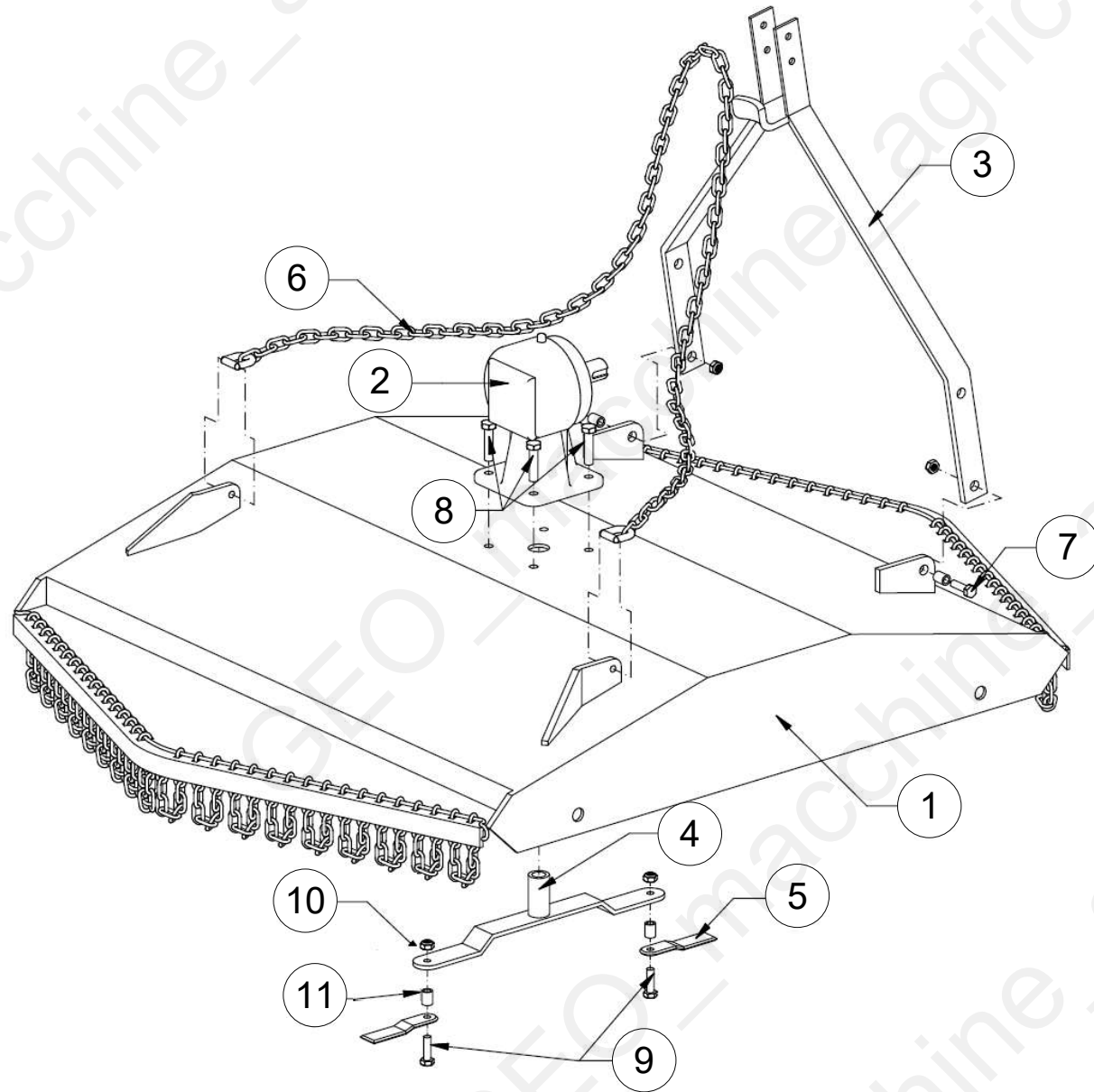


KM100



Table of Contents

Tavola	Page
KM100_parte 1	3



Machine: KM100

Assembly: KM100_parte 1



Pos	Code	Description	NOTE	Q.
1	KM100.001	Mower Body		1
2	XH30.192Z.01L	Gearbox TM		1
3	KM100.003	Linkage		1
4	KM100.004	Blade Base Support		1
5	KM100.005	Blade set		2
6	KM100.006	Chain		1
7	GB87-16-45	boltM16*45		2
8	GB87-16-55	BoltM16*55		4
9	GB87-16-55	BoltM16*55		2
10	KM100.010	Nut M 16		2
11	KM100.011	Spacer		2