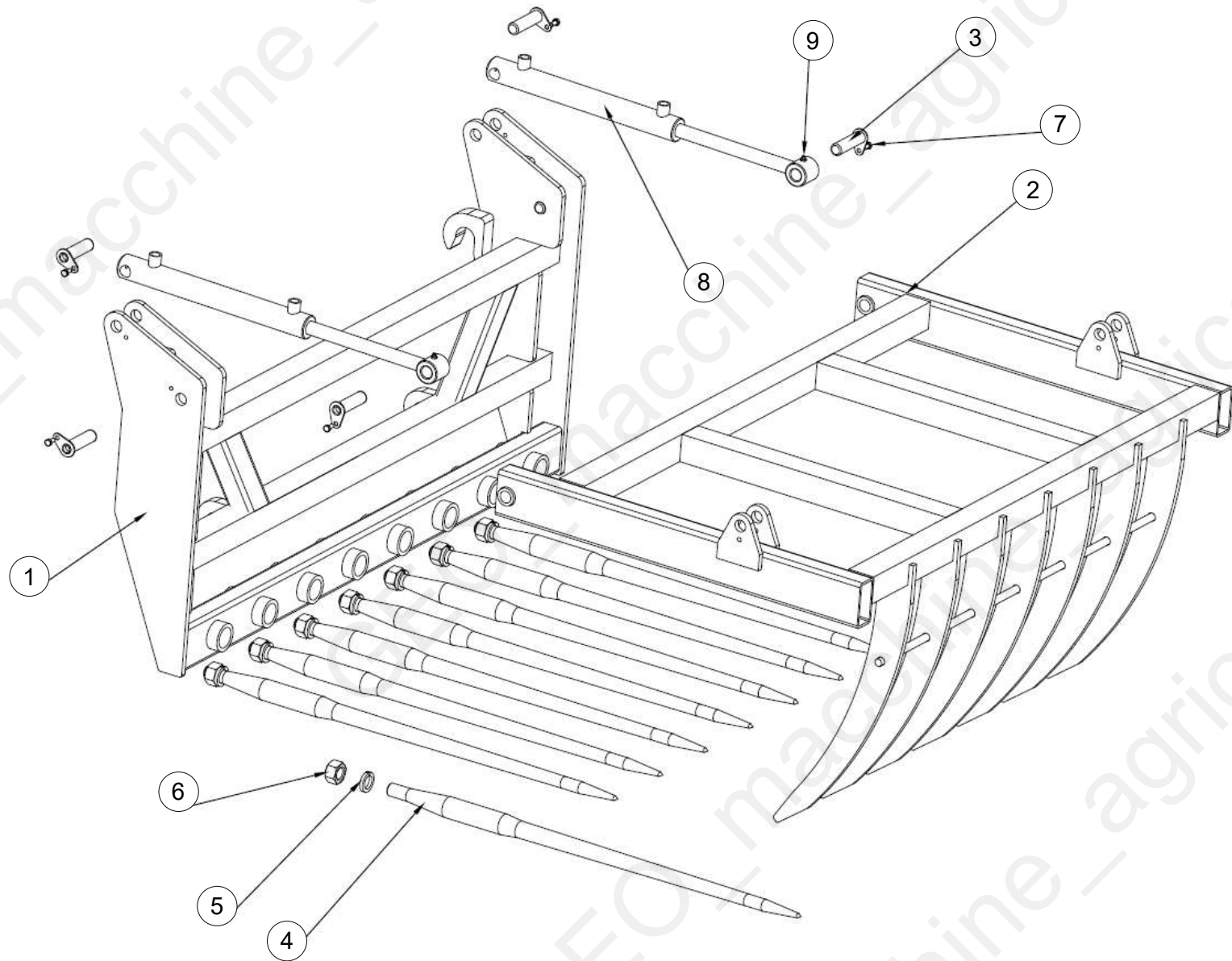




# Table of Contents

Tavola	Page
BK_parte 1	3



Machine: BK

Assembly: BK\_parte 1



Pos	Code	Description	NOTE	Q.
1	NGR140.011	main Frame		1
2	NGR140.012	grab frame		1
3	NGR140.013	pin 95 mm		6
4	NGR140.101	tine		8
5	GB.001.005	spring washer 36		8
6	GB.001.006	nut M36		8
7	GB.001.007	bolt M8X16		6
8	NGR140.014	Cylinder		2
9	GB.001.009	Grease nipper		4