

TT

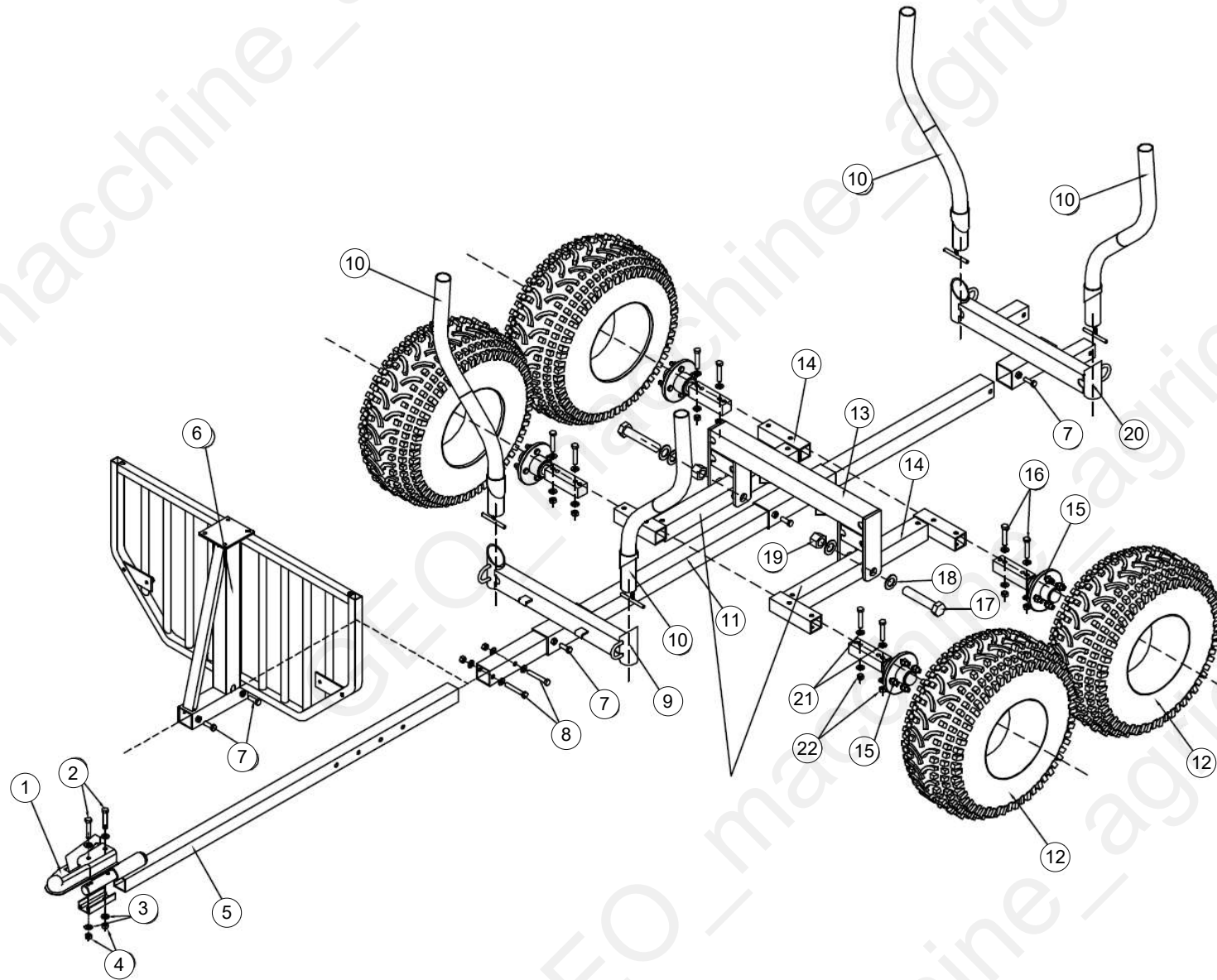


Table of Contents

Tavola	Page
TT1050	3
TT1010	6
crane	9

TT1050





Machine: TT1050

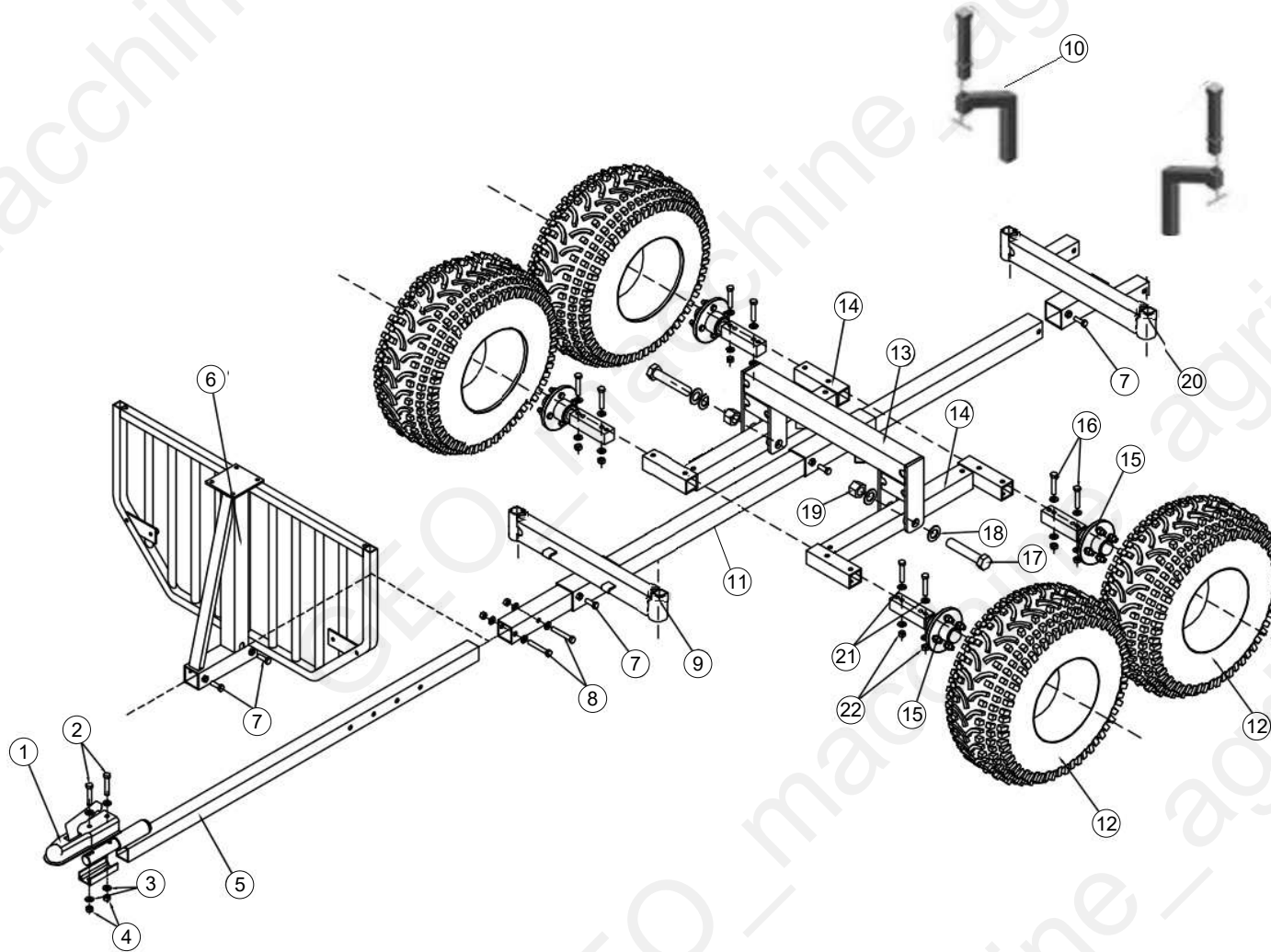
Assembly: TT1050



Pos	Code	Description	NOTE	Q.
1	T1050-01	Coupler		1
2	T1050-02	Screw Bolt M10x65		2
3	T1050-03	Washer M10		4
4	T1050-04	Locknut M10		2
5	T1050-05	Front-axle beam		1
6	T1050-06	Mesh		1
7	T1050-07	Screw Bolt M12x35		8
8	T1050-08	Screw Bolt M12x80		2
9	T1050-09	Front bracket TT1050		1
10	T1050-10	Upper arm & Lower arm TT1050		4
11	T1050-11	Back-axle beam		1
12	T1050-12	Wheel 22x12-8		4
13	T1050-13	Cross member		1
14	T1050-14	Rocker arm		2
15	T1050-15	Stud axle		4
16	T1050-16	Screw Bolt M12x65		8
17	T1050-17	Screw Bolt M24x154		2
18	T1050-18	Washer M24		4
19	T1050-19	Locknut M24		2
20	T1050-20	Back bracket TT1050		1
21	T1050-21	Washer M12		20
22	T1050-22	Locknut M12		10

TT1010



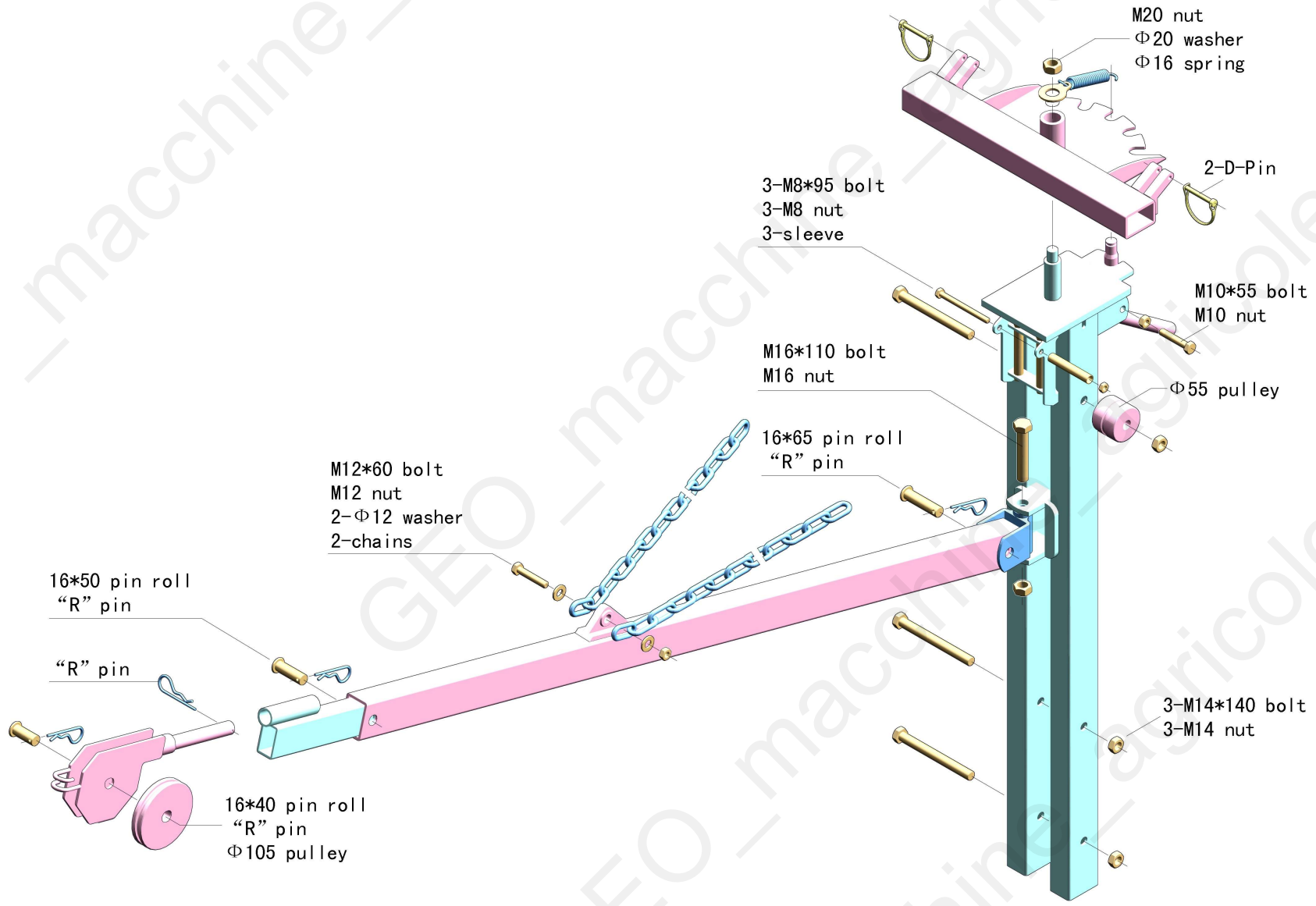


Machine: TT1010

Assembly: TT1010



Pos	Code	Description	NOTE	Q.
1	T1050-01	Coupler		1
2	T1050-02	Screw Bolt M10x65		1
3	T1050-03	Washer M10		1
4	T1050-04	Locknut M10		1
5	T1050-05	Front-axle beam		1
6	T1050-06	Mesh		1
7	T1050-07	Screw Bolt M12x35		1
8	T1050-08	Screw Bolt M12x80		1
9	T1010-09	Front bracket TT1010		1
10	T1010-10	Upper arm & Lower arm TT1010		1
11	T1050-11	Back-axle beam		1
12	T1050-12	Wheel 22x12-8		1
13	T1050-13	Cross member		1
14	T1050-14	Rocker arm		1
15	T1050-15	Stud axle		1
16	T1050-16	Screw Bolt M12x65		1
17	T1050-17	Screw Bolt M24x154		1
18	T1050-18	Washer M24		1
19	T1050-19	Locknut M24		1
20	T1010-20	Back bracket TT1010		1
21	T1050-21	Washer M12		1
22	T1050-22	Locknut M12		1



Machine: TT

Assembly: crane



Pos	Code	Description	NOTE	Q.
-----	------	-------------	------	----