

ECO 17



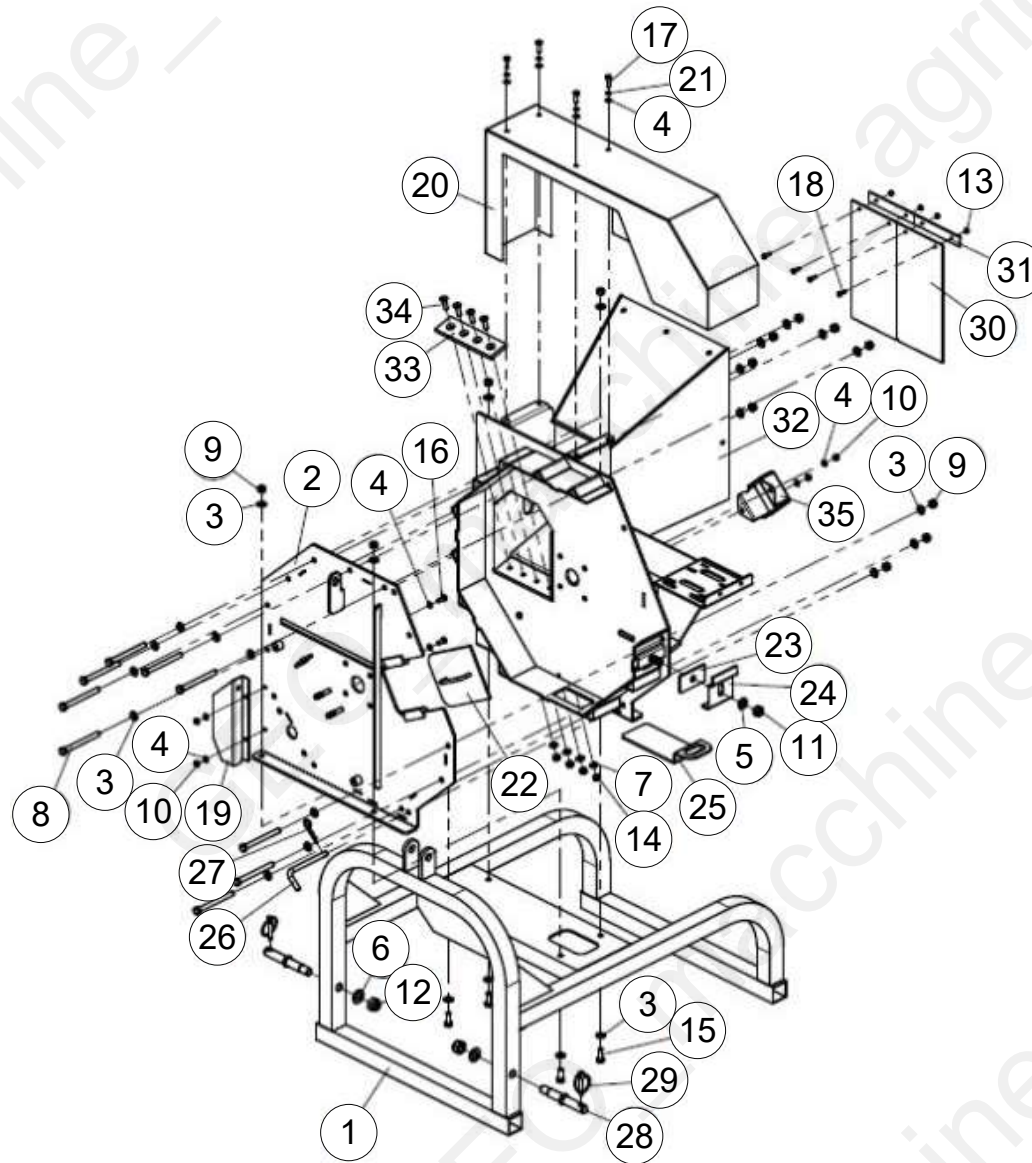
Table of Contents

Tavola	Page
ECO 17M	3
ECO 17M 2016_2019	24
ECO 17 2014_2016	45
ECO 17 2010-2013	55
ECO 17 2008 2009	69
ECO 17 2007	83
KIT_Protezione	93

ECO 17M

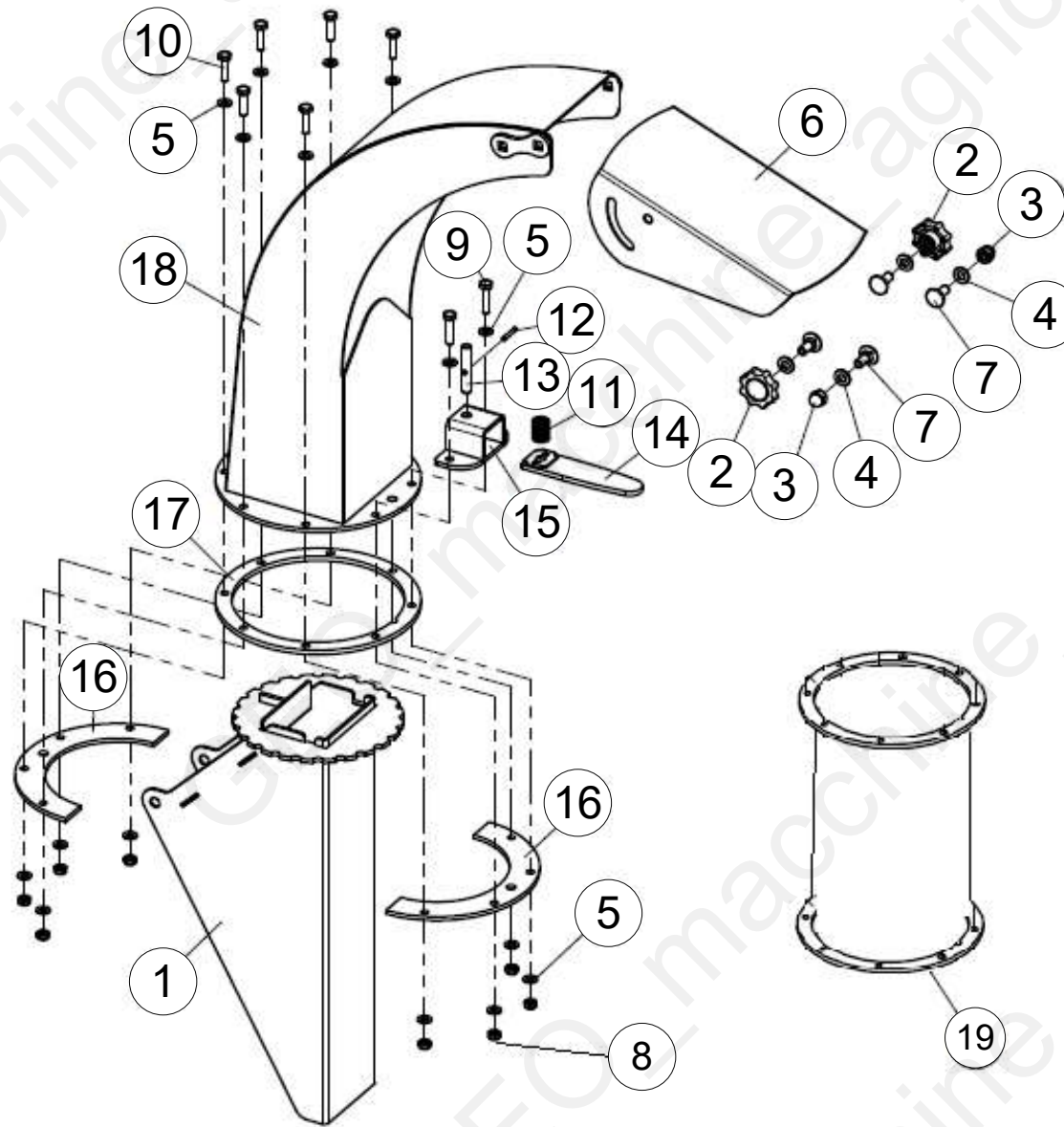


GEO Italy S.R.L.

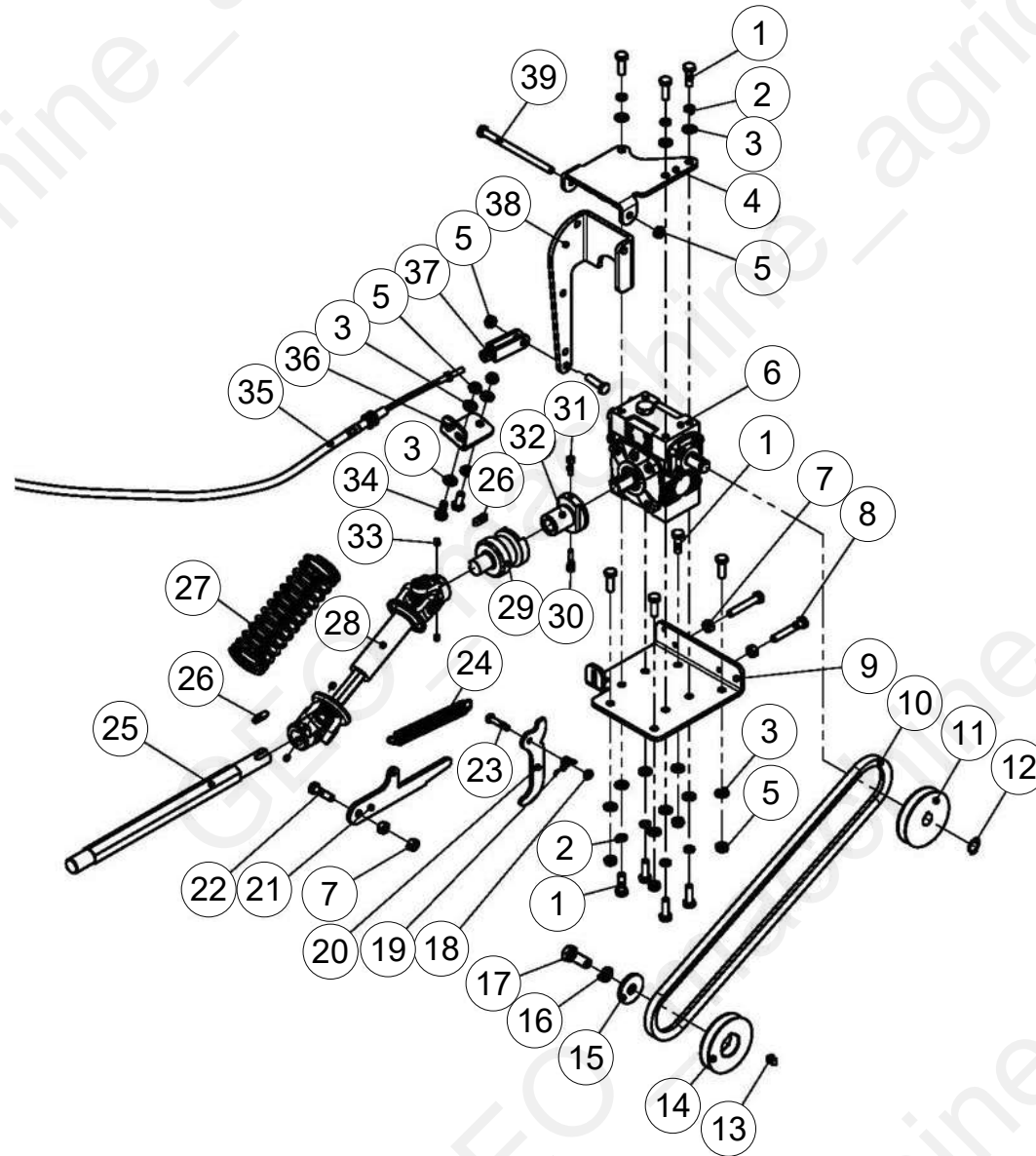


Pos	Code	Description	NOTE	Q.
1	WCM8-00011	CHIPPER SEAT WELDMENT		1
2	WCM8-00017	BACK COVER		1
3	GB97.1-12	plain washer 12		26
4	GB97.1-8	Plain washer 8		10
5	GB97.1-16	Plain washer 16		1
6	GB97.1-20	Plain washer 20		2
7	GB97.1-10	PLAIN WASHER 10		4
8	GB5782-M12X130	Bolt M12x130		9
9	DIN985-M12	nut M12		13
10	DIN985-M8	nut M8		4
11	DIN985-M16	Locking Nut M16		1
12	DIN985-M20	nut M20		2
13	DIN985-M6	Locking nut M6		4
14	DIN985-M10	Locking nut M10		4
15	GB5783-M12X30	Bolt M12X30		4
16	GB5783-M8X20	bolt M8X20		2
17	GB5783-M8X25	bolt M8X25		4
18	GB5783-M6X20	bolt M6X20		4
19	WCM8-00163	BAFFLE BOARD		1
20	WCM8-00013	GEAR BOX COVER		1
21	GB93-8	Spring washer 8		4
22	WCM8-00033	WINDOW COVER BOARD		1
23	WCL5-00105	RUBBER WASHER		1
24	WCM8-00104	COMPACT BOARD		1
25	WCM8-00188	COVER TAKE OUT PLATE		1

Pos	Code	Description	NOTE	Q.
26	WCL5-00133	LOCKING PIN		1
27	GB/T91	R pin		1
28	WCL5-00101Ke	DOWN LINK PIN		2
29	200.56.011	Lock pin		2
30	WCL8-00110	PLASTIC BAFFLE BOARD		2
31	WCL8-00111	COMPACT BOARD		2
32	WCM8-02011	CHIPPER BODY WELDMENT		1
33	WCM8-02101	BED BLADE		1
34	GB70.3-M10X35	Bolt M10X35		4
35	WCM8-00166	DOWN COVER BOARD		1

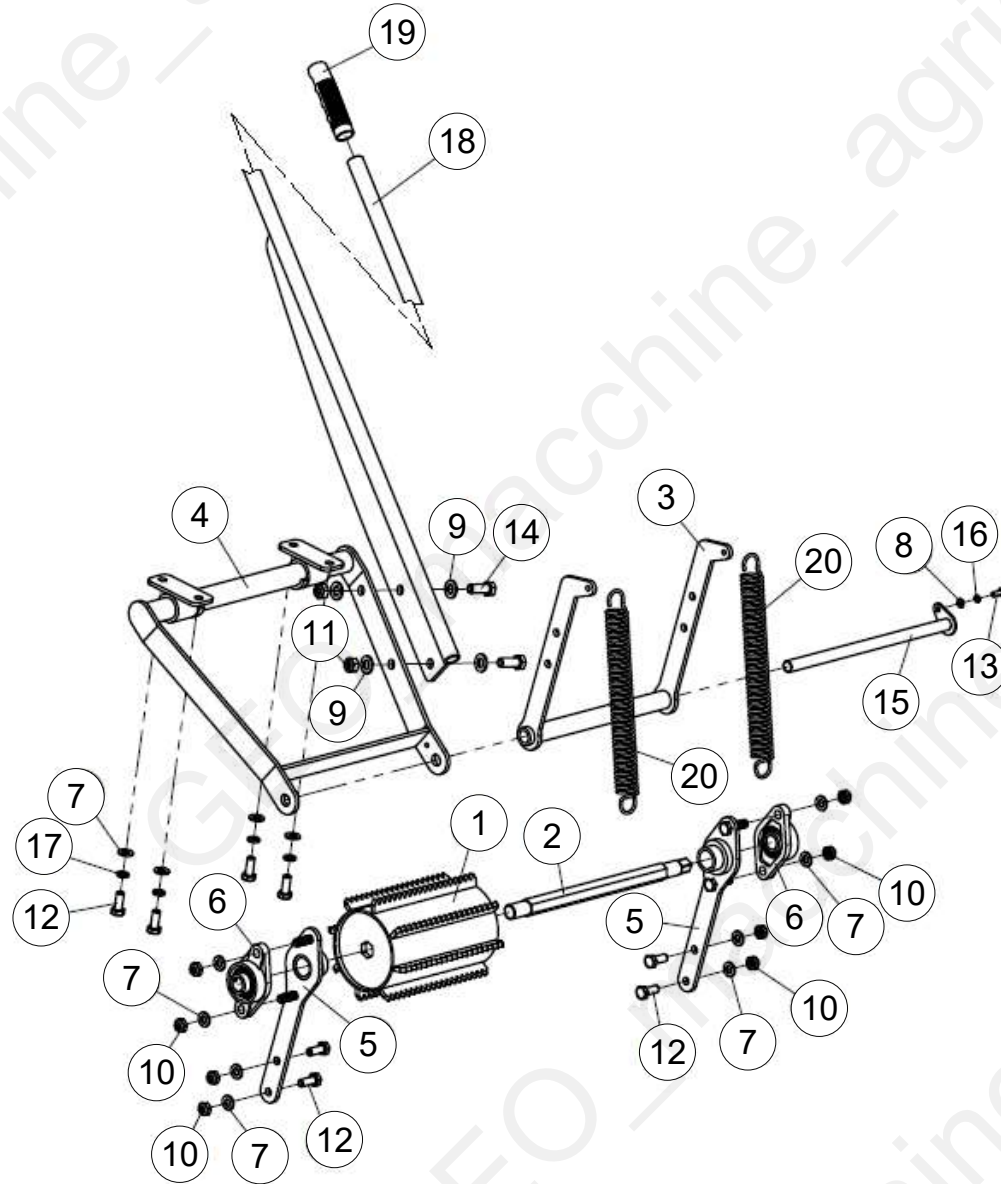


Pos	Code	Description	NOTE	Q.
1	WCM8-00015A	DISCHARGE BUCKET		1
2	WCM8-00042	COMPACT NUT		2
3	GB923-M10	Nut M10		2
4	GB97.1-10	PLAIN WASHER 10		4
5	GB97.1-8	Plain washer 8		16
6	WCM8-10103	Exhaust hood discharge cover		1
7	GB12-M10X25	Bolt M10X25		4
8	DIN985-M8	nut M8		8
9	GB5783-M8X35	bolt M8x35		2
10	GB5783-M8X30	bolt M8X30		6
11	AM60.01.110	Return spring		1
12	GB119.1-B-4X28	B4x28 PIN		1
13	WCM8-10104	Lock pin		1
14	WCM8-00038A	Lock pin handle		1
15	WCM8-00041	Lock pin bracket		1
16	WCM8-10101	PRESS BOARD		2
17	WCM8-10102	SPACER CIRCLE		1
18	WCM8-00036A	DISCHARGE PIPE WELDMENT		1
19	WCM8-00037	Extension ECO17M		1

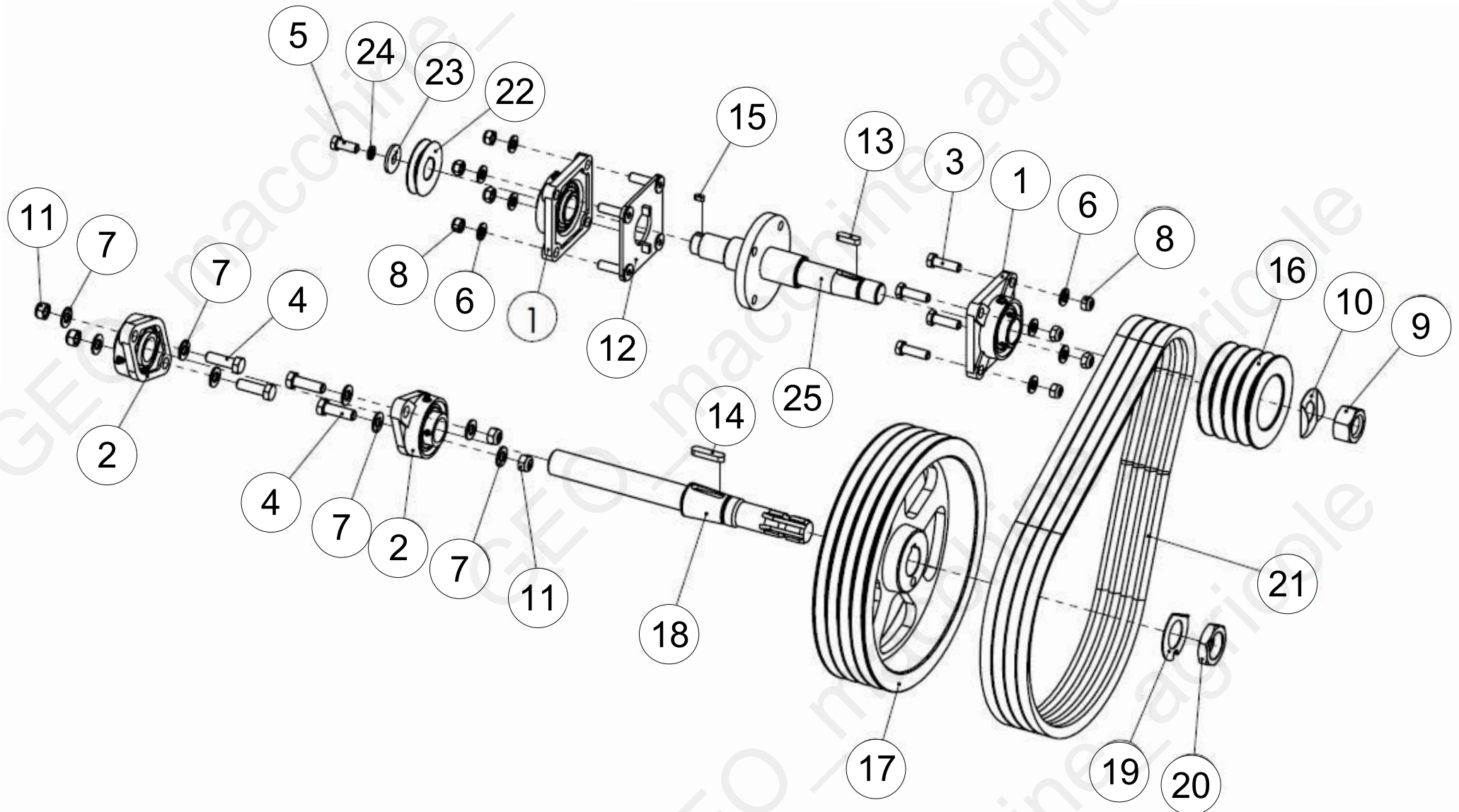


Pos	Code	Description	NOTE	Q.
1	GB5783-M8X25	bolt M8X25		11
2	GB93-8	Spring washer 8		7
3	GB97.1-8	Plain washer 8		15
4	WCM8-00183	SUPPORT BOARD		1
5	DIN985-M8	nut M8		8
6	Q/IAKY01-91	WORM REDUCTION GEAR		1
7	GB6170-M8	Nut M8		4
8	GB5782-M8X50	Bolt M8X50		2
9	WCM8-00187	REDUCE SUPPORT		1
10	A991	A991BELTS		1
11	24PMF.03.105	BELT PULLEY		1
12	GB894.1-16	Seeger		1
13	GB1096-C-6X6X14	6×14 PLAIN KEY		1
14	WCL8-00130	BELT PULLEY		1
15	MZ105.115	Retaining Lock washer		1
16	GB93-12	spring washer 12		1
17	GB5783-M12X30	Bolt M12X30		1
18	DIN985-M6	Locking nut M6		1
19	WCM8-00190	SPRING		1
20	WCM8-00189	UNLOCK BOARD		1
21	WCM8-00122	LOCKING BOARD		1
22	GB5783-M8X30	bolt M8X30		2
23	GB5783-M6X30	M 6×30 BOLTS		1
24	WCM8-00121	SPRING		1
25	WCM8-00131A	ROLLER AXES		1

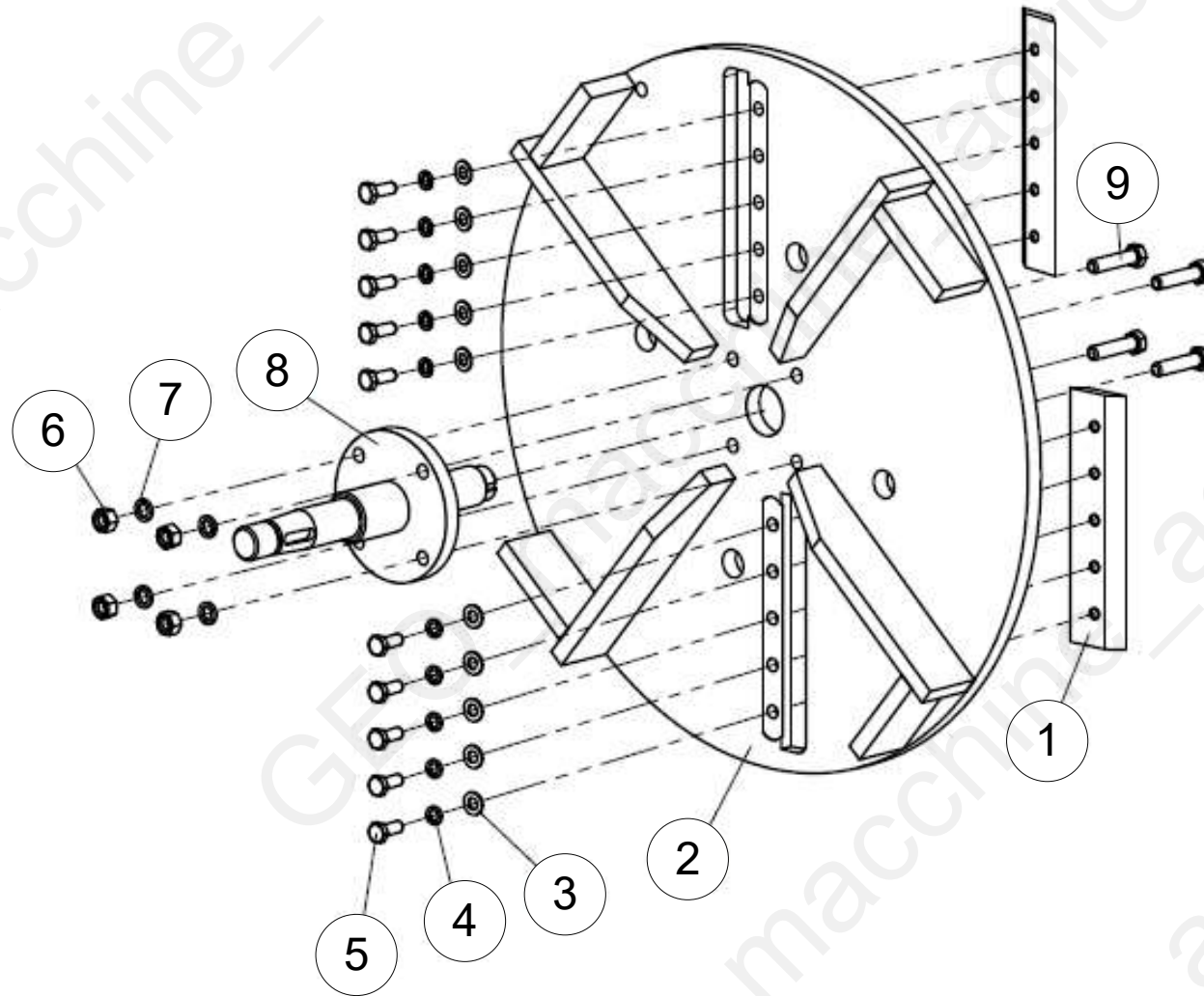
Pos	Code	Description	NOTE	Q.
26	GB1096-C-6X6X22	6×22PLAIN KEY		2
27	24PMF.03.109B	SPRING		1
28	24PMF.03.014B	SHAFT		1
29	24PMF.03.108-2	OUTTER CLUTCH CLAW		1
30	GB70.1-M5X25	Bolt M5X25		1
31	GB70.1-M5X20	Bolt M5X20		1
32	24PMF.03.107-1	INNER CLUTCH CLAW		1
33	GB77-M6X8	M 6×8 BOLTS		4
34	GB5783-M8X20	bolT M8X20		2
35	WCM8-00022	LOCKING LINE		1
36	WCM8-00181	LOCKING SEAT		1
37	24PMF.03.112	Joint connect		1
38	WCM8-00182	PULL BOARD		1
39	GB5782-M8X120	Bolt M8X120		1



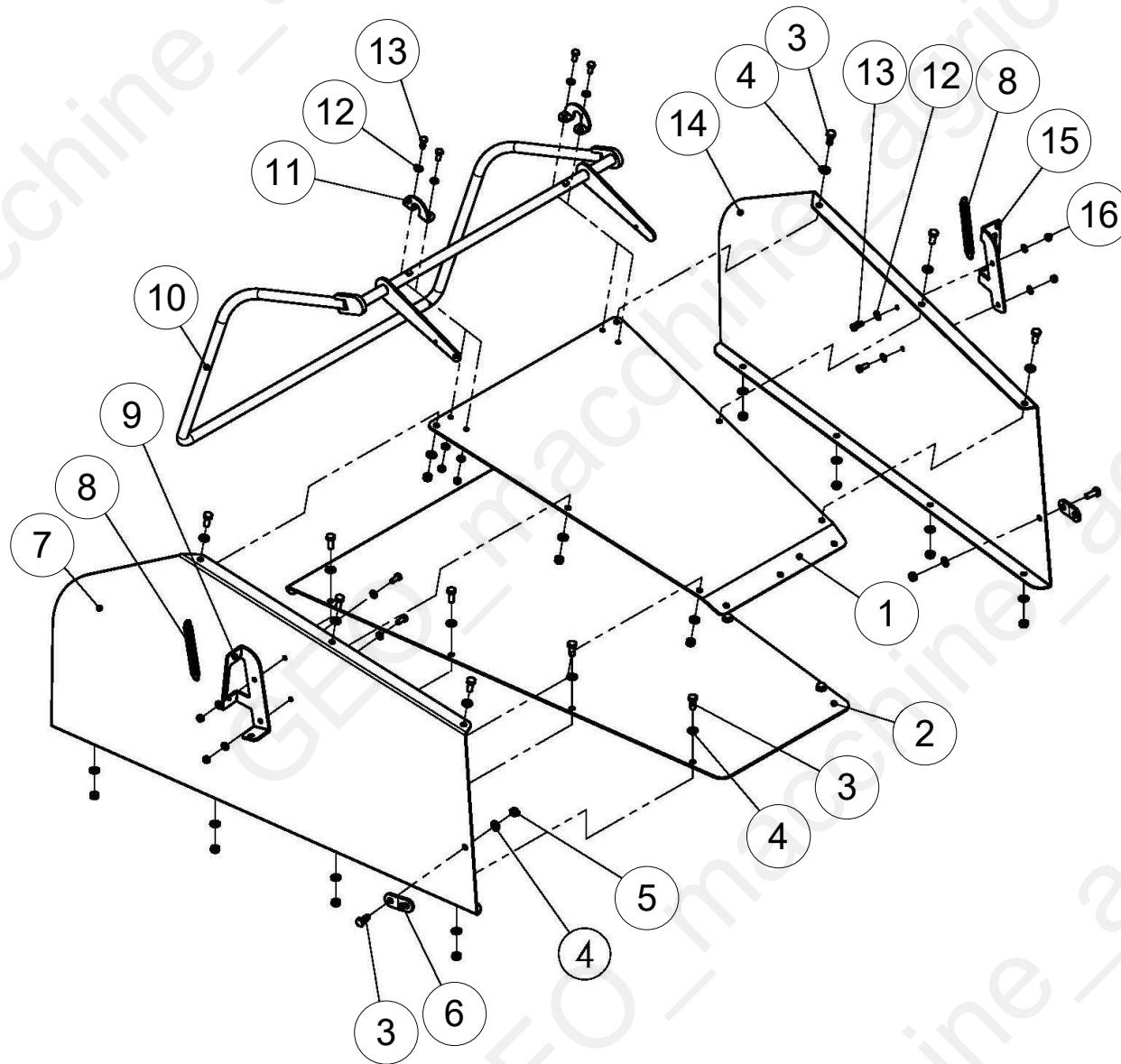
Pos	Code	Description	NOTE	Q.
1	WCM8-00028	ROLLER		1
2	WCM8-00131	ROLLER SHAFT		1
3	WCM8-00031	LIFT CONNECT SUPPORT FOR ROLLER		1
4	WCM8-00026	SWING BODY		1
5	WCM8-00030	LIST ARM		2
6	UCFL204-45	BEARING SEAT UCFL204-45		2
7	GB97.1-10	PLAIN WASHER 10		12
8	GB97.1-6	Plain washer 6		1
9	GB97.1-12	plain washer 12		4
10	DIN985-M10	Locking nut M10		8
11	DIN985-M12	nut M12		2
12	GB5783-M10X25	Bolt M10X25		8
13	GB5783-M6X16	bolt M6X16		1
14	GB5783-M12x30	Bolt M12X30		2
15	WCM8-00032	LIFT SUPPORT SHAFT		1
16	GB93-6	spring washer 6		1
17	GB93-10	spring washer 10		4
18	WCM8-00027	ROLLER LIFT HANDLE		1
19	S26.01.103	Handle cover		1
20	WCL8-00170	SPRING		2



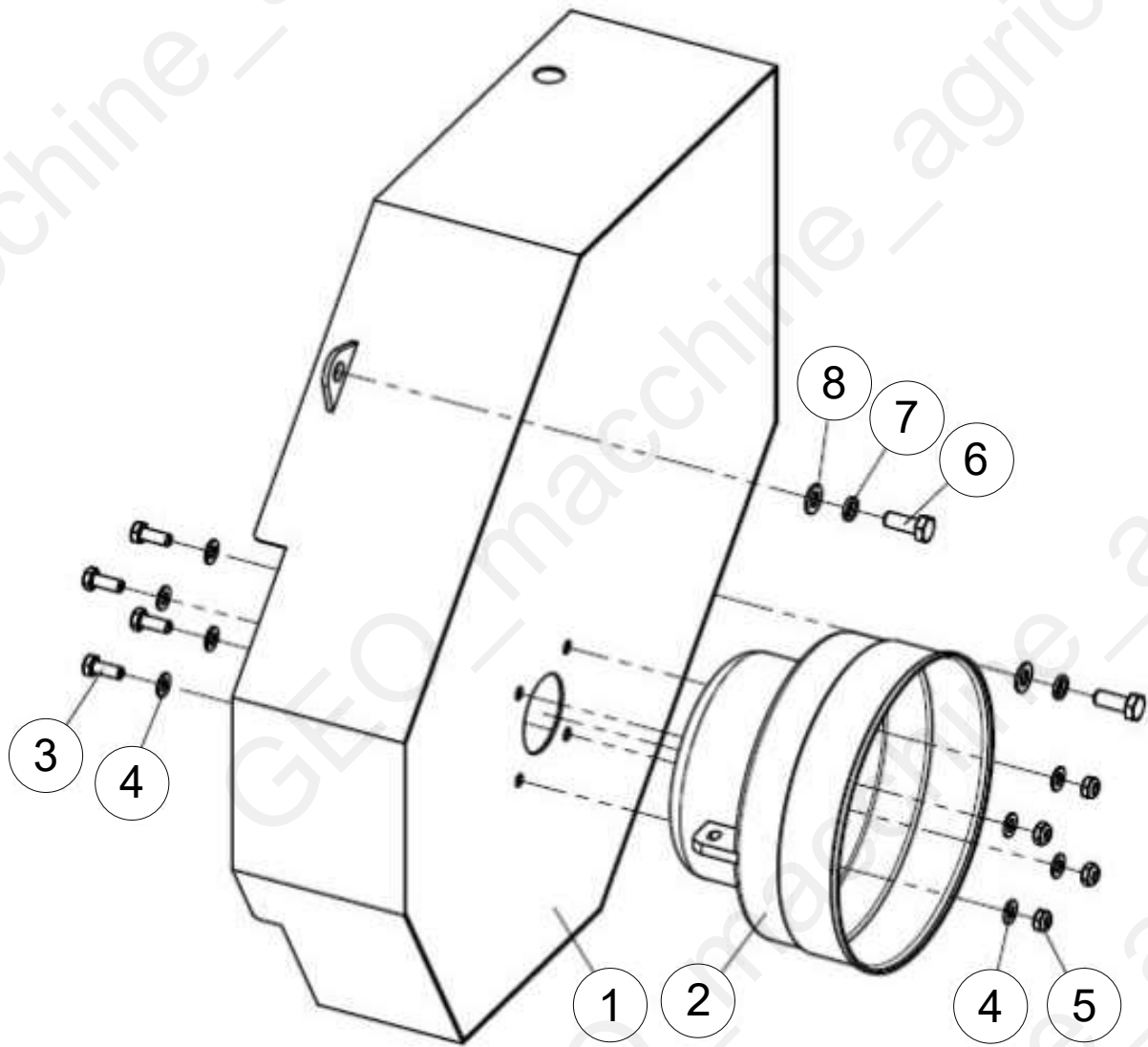
Pos	Code	Description	NOTE	Q.
1	UCF207	BEARING SEAT UCF207 SQUARED		2
2	UCFL207	BEARING SEAT UCFL207		2
3	GB5783-M12X40	bolt M12x40		4
4	GB5783-M14X45	Bolt M14X45		4
5	GB5783-M12X30	Bolt M12X30		1
6	GB97.1-12	plain washer 12		8
7	GB97.1-14	Plain washer 14		8
8	DIN985-M12	nut M12		8
9	DIN985-M30X1.5	M30X1.5		1
10	WCL5-00116	WASHER		1
11	DIN985-M14	Locking Nut M14		4
12	WCL5-00018	SUPPORT BEARING SEAT		1
13	GB1096-A-10X8X35	A 10x35 key		1
14	GB1096-A-12X8X50	A 12x50 key		1
15	GB1096-C-6X6X14	6x14 PLAIN KEY		1
16	WCL8-00108	SMALL BELT PULLEY		1
17	WCL8-00112	LARGE BELT PULLEY		1
18	WCL5-00109	OUTPUT SHAFT		1
19	WCL5-00115	LOCKING WASHER		1
20	WCL5-00114	NUT M40*1.5		1
21	B1448	B1448-8BELT		4
22	WCL8-00130	BELT PULLEY		1
23	MZ105.115	Retaining Lock washer		1
24	GB93-12	spring washer 12		1
25	WCM8-01011A	FLY WHEEL SHAFT		1



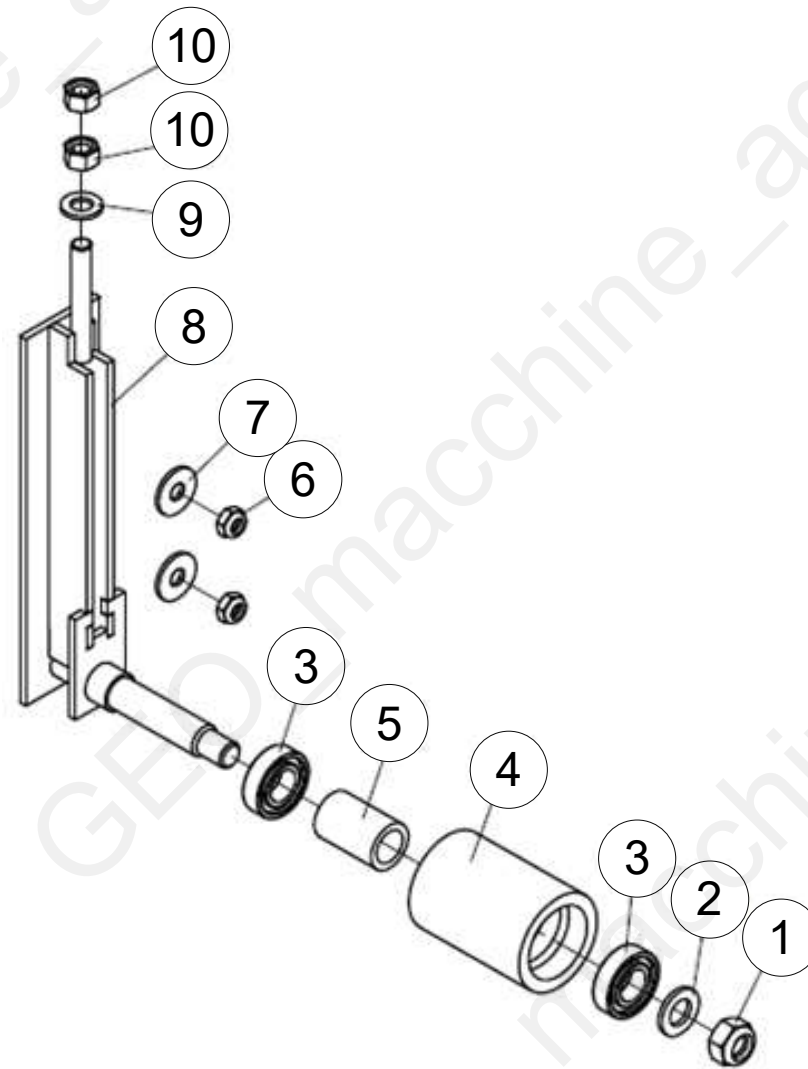
Pos	Code	Description	NOTE	Q.
1	WCM8-01101A	CHIPPER BLADE		2
2	WCM8-01010A	FLY WHEEL DISK		1
3	GB97.1-10	PLAIN WASHER 10		10
4	GB93-10	spring washer 10		10
5	GB5783-M10X25	Bolt M10X25		10
6	GB6170-M12	Nut 12		4
7	GB93-12	spring washer 12		4
8	WCM8-01011A	FLY WHEEL SHAFT		1
9	GB5782-M12X50	Bolt M12x50		4



Pos	Code	Description	NOTE	Q.
1	WCM8-00119A	UPPER CHARGING BOARD		1
2	WCM8-00116A	DOWN CHARGING BOARD		1
3	GB5783-M10X25	Bolt M10X25		16
4	GB97.1-10	PLAIN WASHER 10		30
5	DIN985-M10	Locking nut M10		16
6	24PMF.01.117	Connecting plate		2
7	WCM8-00117A	RIGHT CHARGING BOARD		1
8	WCM8-00121	SPRING		2
9	WCM8-00262	Left Bracket		1
10	WCM8-00023A	STOP HANDLE		1
11	WCM8-00261	U Bracket		2
12	GB97.1-8	Plain washer 8		16
13	GB5783-M8X20	bolt M8X20		8
14	WCM8-00118A	LEFT CHARGING BOARD		1
15	WCM8-00263	Right Bracket		1
16	DIN985-M8	nut M8		8



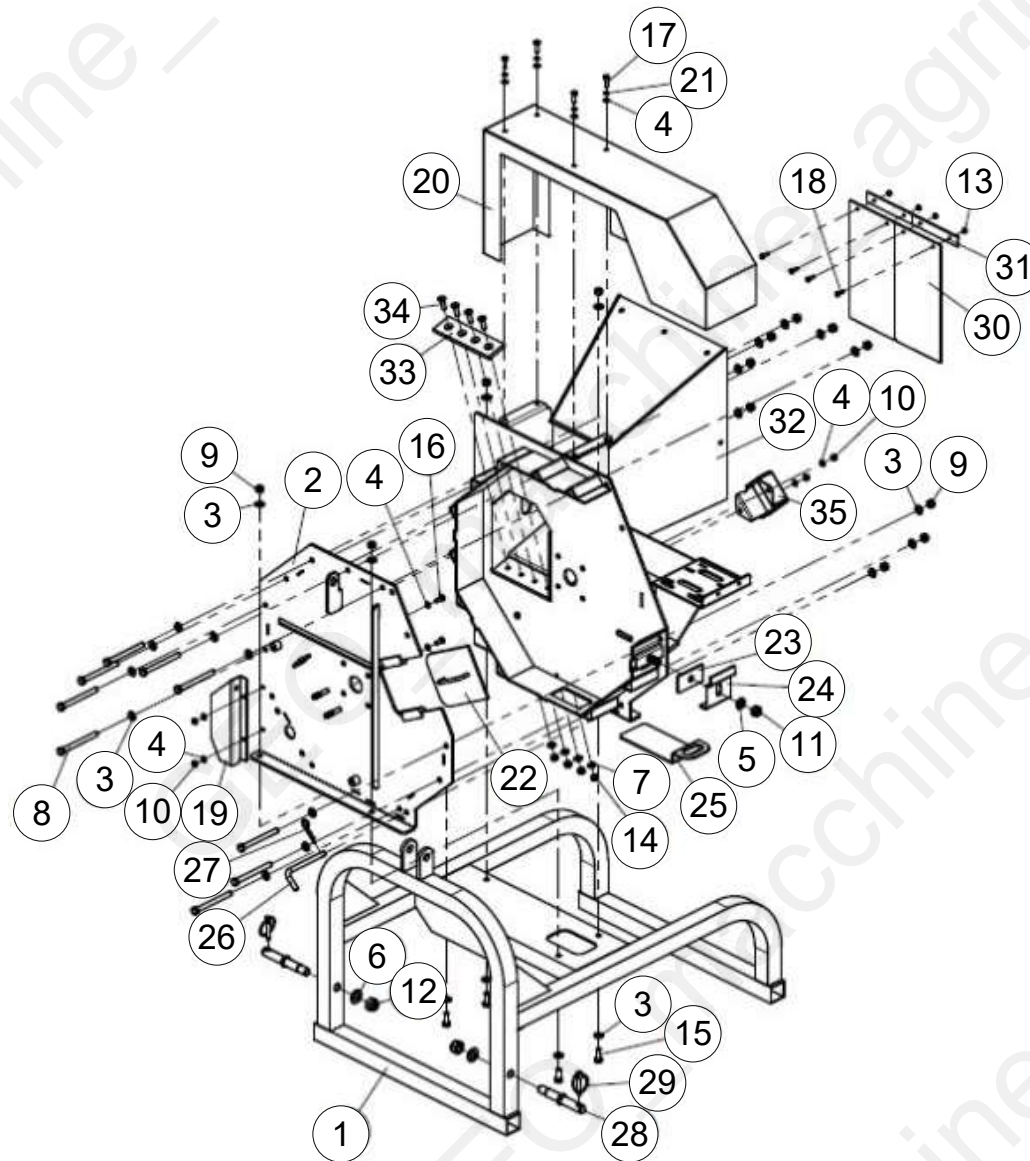
Pos	Code	Description	NOTE	Q.
1	WCM8-03011	PULLEY COVER		1
2	FM120.00.199	PTO cover		1
3	GB5783-M8x20	bolt M8X20		4
4	GB97.1-8	Plain washer 8		8
5	DIN985-M8	nut M8		4
6	GB5783-M10X25	Bolt M10X25		2
7	GB93-10	spring washer 10		2
8	GB97.1-10	PLAIN WASHER 10		2



Pos	Code	Description	NOTE	Q.
1	GB6184-M16	M16 NUT		1
2	GB97.1-16	Plain washer 16		1
3	GB276-6004-2Z	Bearing 6004-2Z		2
4	WCL8-00106	TIGHT WHEEL		1
5	WCL5-00107	SPACER		1
6	DIN985-M10	Locking nut M10		2
7	GB96.1-10	Plain washer 10		2
8	WCL5-00016	TENSION WHEEL SUPPORT		1
9	GB97.1-12	plain washer 12		1
10	GB6170-M12	Nut 12		2

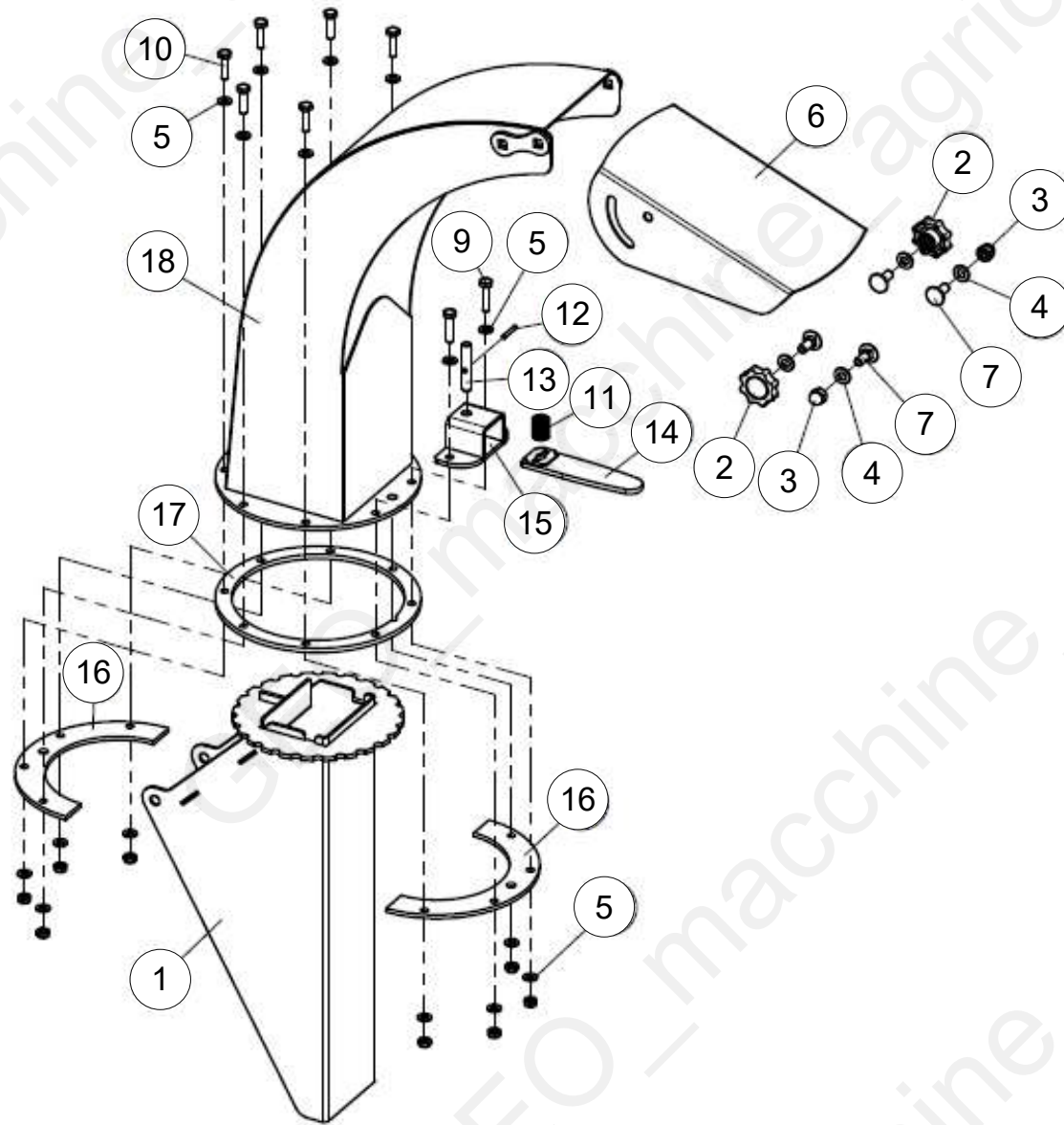
ECO 17M 2016_2019



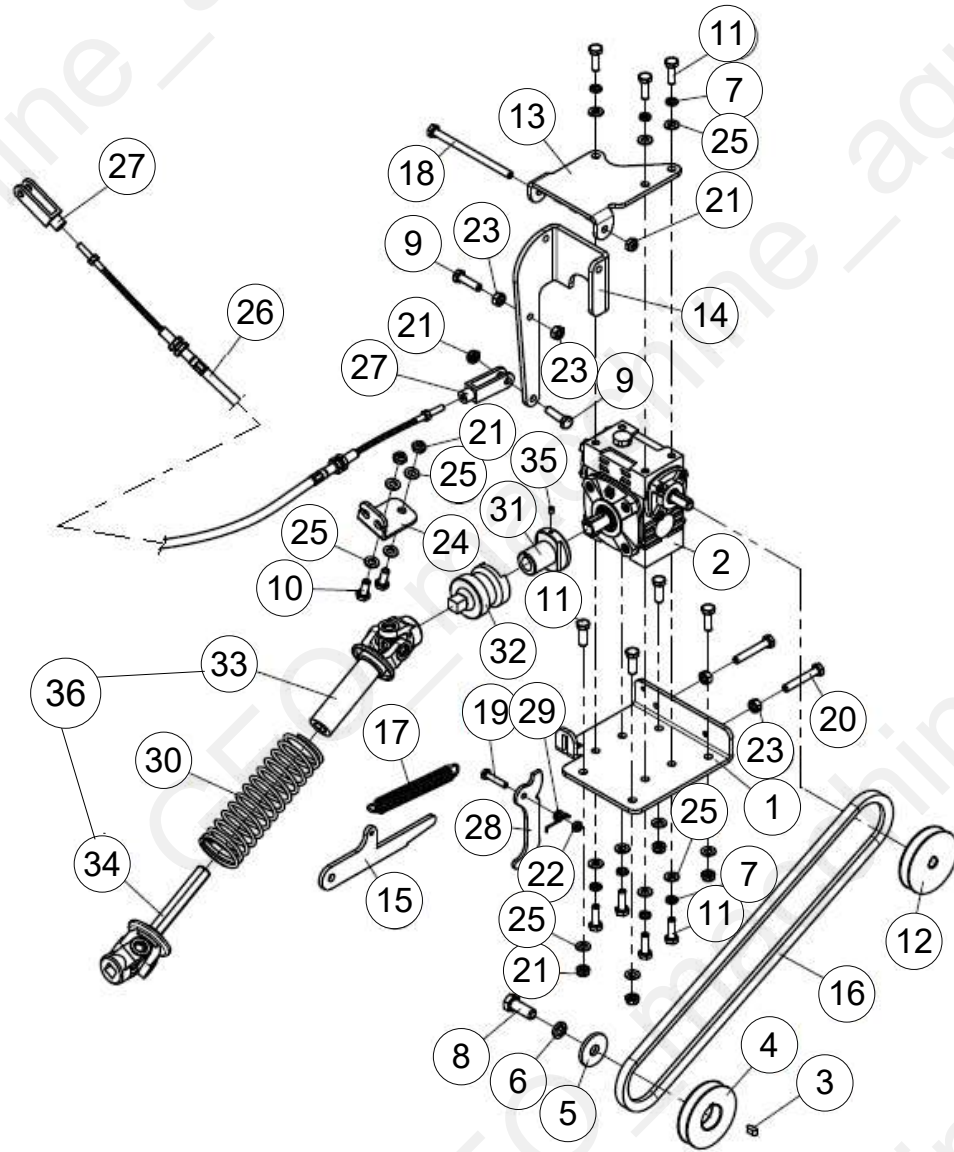


Pos	Code	Description	NOTE	Q.
1	WCM8-00011	CHIPPER SEAT WELDMENT		1
2	WCM8-00017	BACK COVER		1
3	GB97.1-12	plain washer 12		26
4	GB97.1-8	Plain washer 8		10
5	GB97.1-16	Plain washer 16		1
6	GB97.1-20	Plain washer 20		2
7	GB97.1-10	PLAIN WASHER 10		4
8	GB5782-M12X130	Bolt M12x130		9
9	DIN985-M12	nut M12		13
10	DIN985-M8	nut M8		4
11	DIN985-M16	Locking Nut M16		1
12	DIN985-M20	nut M20		2
13	DIN985-M6	Locking nut M6		4
14	DIN985-M10	Locking nut M10		4
15	GB5783-M12X30	Bolt M12X30		4
16	GB5783-M8X20	bolt M8X20		2
17	GB5783-M8X25	bolt M8X25		4
18	GB5783-M6X20	bolt M6X20		4
19	WCM8-00163	BAFFLE BOARD		1
20	WCM8-00013	GEAR BOX COVER		1
21	GB93-8	Spring washer 8		4
22	WCM8-00033	WINDOW COVER BOARD		1
23	WCL5-00105	RUBBER WASHER		1
24	WCM8-00104	COMPACT BOARD		1
25	WCM8-00188	COVER TAKE OUT PLATE		1

Pos	Code	Description	NOTE	Q.
26	WCL5-00133	LOCKING PIN		1
27	EFGC125.110	R Pin 3.2		1
28	WCL5-00101Ke	DOWN LINK PIN		2
29	200.56.011	Lock pin		2
30	WCL8-00110	PLASTIC BAFFLE BOARD		2
31	WCL8-00111	COMPACT BOARD		2
32	WCM8-02011	CHIPPER BODY WELDMENT		1
33	WCM8-02101	BED BLADE		1
34	GB70.3-M10X35	Bolt M10X35		4
35	WCM8-00166	DOWN COVER BOARD		1

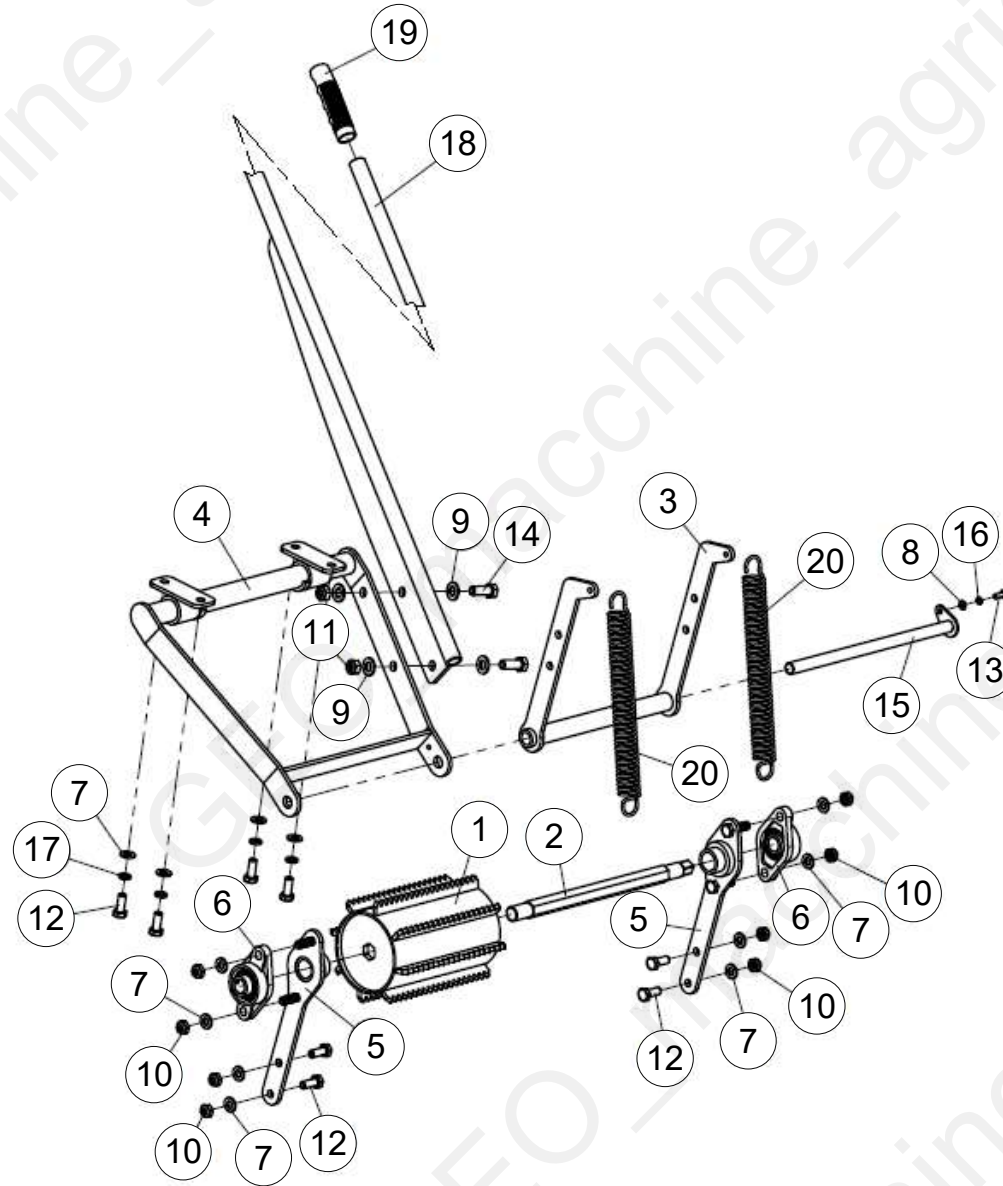


Pos	Code	Description	NOTE	Q.
1	WCM8-00015A	DISCHARGE BUCKET		1
2	WCM8-00042	COMPACT NUT		2
3	GB923-M10	Nut M10		2
4	GB97.1-10	PLAIN WASHER 10		4
5	GB97.1-8	Plain washer 8		16
6	WCM8-10103	Exhaust hood discharge cover		1
7	GB12-M10X25	Bolt M10X25		4
8	DIN985-M8	nut M8		8
9	GB5783-M8X35	bolt M8x35		2
10	GB5783-M8X30	bolt M8X30		6
11	AM60.01.110	Return spring		1
12	GB119.1-B-4X28	B4x28 PIN		1
13	WCM8-10104	Lock pin		1
14	WCM8-00038A	Lock pin handle		1
15	WCM8-00041	Lock pin bracket		1
16	WCM8-10101	PRESS BOARD		2
17	WCM8-10102	SPACER CIRCLE		1
18	WCM8-00036A	DISCHARGE PIPE WELDMENT		1

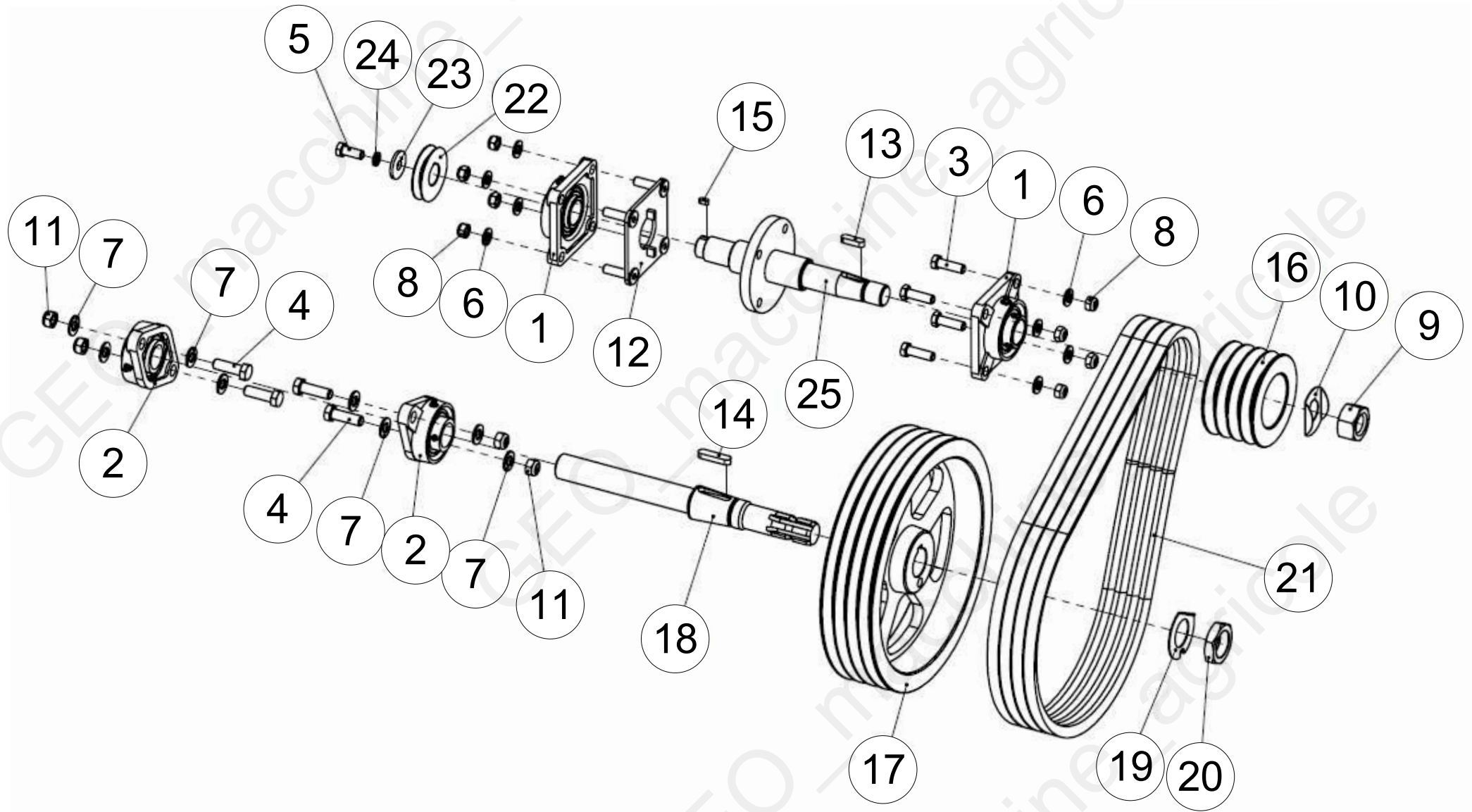


Pos	Code	Description	NOTE	Q.
1	WCM8-00187	REDUCE SUPPORT		1
2	Q/IAKY01-91	WORM REDUCTION GEAR		1
3	GB1096-C-6X6X14	6×14 PLAIN KEY		1
4	WCL8-00130	BELT PULLEY		1
5	MZ105.115	Retaining Lock washer		1
6	GB93-12	spring washer 12		1
7	GB93-8	Spring washer 8		7
8	GB5783-M12X30	Bolt M12X30		1
9	GB5783-M8X30	bolt M8X30		2
10	GB5783-M8X20	bolt M8X20		2
11	GB5783-M8X25	bolt M8X25		11
12	24PMF.03.105	BELT PULLEY		1
13	WCM8-00183	SUPPORT BOARD		1
14	WCM8-00182	PULL BOARD		1
15	WCM8-00122	LOCKING BOARD		1
16	A991	A991BELTS		1
17	WCM8-00121	SPRING		1
18	GB5782-M8X120	Bolt M8X120		1
19	GB5782-M6X30	M 6×30 BOLT		1
20	GB5782-M8X50	Bolt M8X50		2
21	DIN985-M8	nut M8		8
22	DIN985-M6	Locking nut M6		1
23	GB6170-M8	Nut M8		4
24	WCM8-00181	LOCKING SEAT		1
25	GB97.1-8	Plain washer 8		15

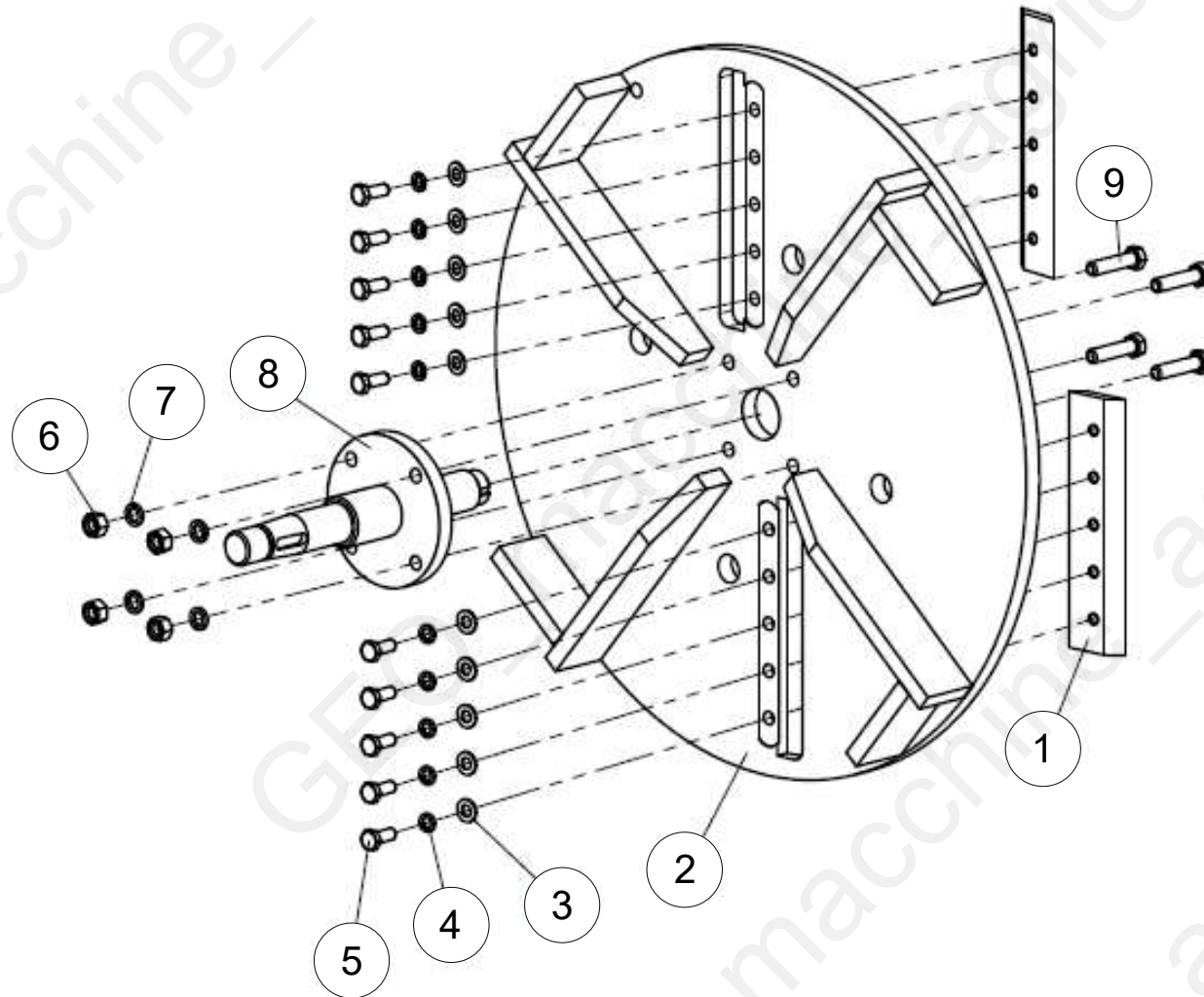
Pos	Code	Description	NOTE	Q.
26	WCM8-00022	LOCKING LINE		1
27	24PMF.03.112	Joint connect		2
28	WCM8-00189	UNLOCK BOARD		1
29	WCM8-00190	SPRING		1
30	24PMF.03.109-1	Spring for drive shaft		1
31	24PMF.03.107	Clutch inner claw		1
32	24PMF.03.108	Clutch outer claw		1
33	24PMF.03.017	OUTTER SHAFT		1
34	24PMF.03.018A	inner drive shaft		1
35	GB78-M5X8	Bolt M5X8		1
36	24PMF.03.018	Complete SHAFT		1



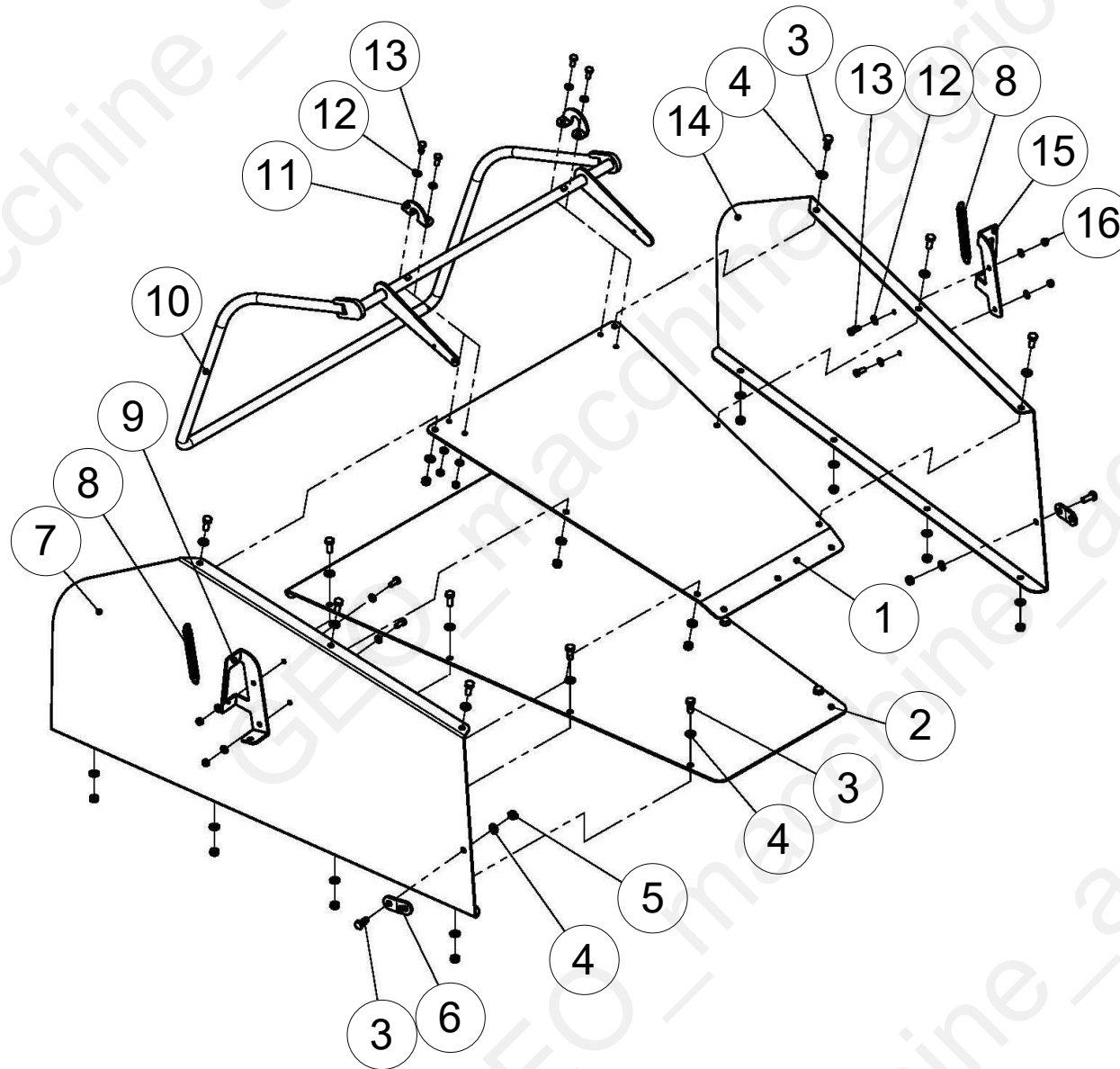
Pos	Code	Description	NOTE	Q.
1	WCM8-00028	ROLLER		1
2	WCM8-00131	ROLLER SHAFT		1
3	WCM8-00031	LIFT CONNECT SUPPORT FOR ROLLER		1
4	WCM8-00026	SWING BODY		1
5	WCM8-00030	LIST ARM		2
6	UCFL204-45	BEARING SEAT UCFL204-45		2
7	GB97.1-10	PLAIN WASHER 10		12
8	GB97.1-6	Plain washer 6		1
9	GB97.1-12	plain washer 12		4
10	DIN985-M10	Locking nut M10		8
11	DIN985-M12	nut M12		2
12	GB5783-M10X25	Bolt M10X25		8
13	GB5783-M6X16	bolt M6X16		1
14	GB5783-M12x30	Bolt M12X30		2
15	WCM8-00032	LIFT SUPPORT SHAFT		1
16	GB93-6	spring washer 6		1
17	GB93-10	spring washer 10		4
18	WCM8-00027	ROLLER LIFT HANDLE		1
19	S26.01.103	Handle cover		1
20	WCL8-00170	SPRING		2



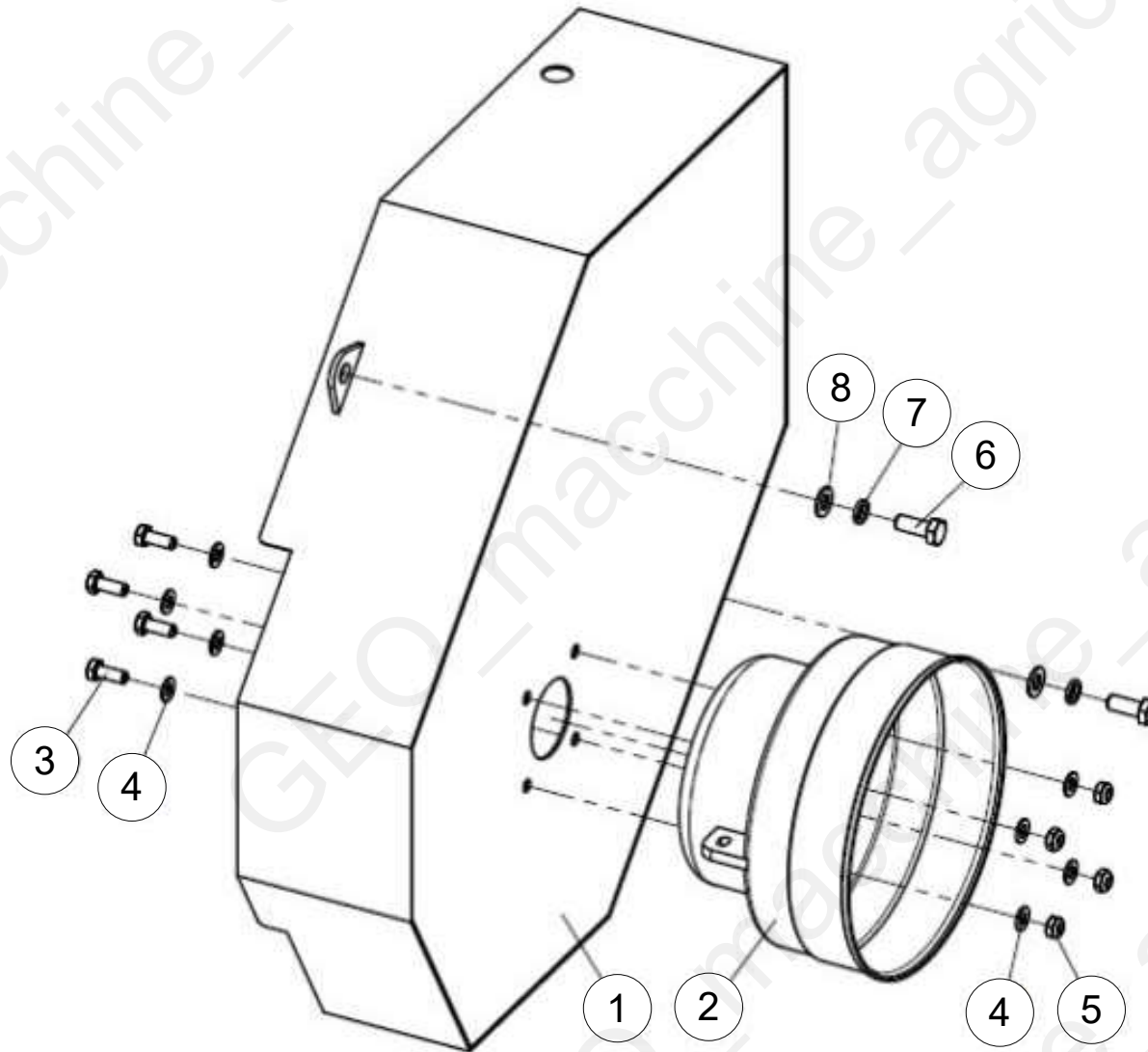
Pos	Code	Description	NOTE	Q.
1	UCF207	BEARING SEAT UCF207 SQUARED		2
2	UCFL207	BEARING SEAT UCFL207		2
3	GB5783-M12X40	bolt M12x40		4
4	GB5783-M14X45	Bolt M14X45		4
5	GB5783-M12X30	Bolt M12X30		1
6	GB97.1-12	plain washer 12		8
7	GB97.1-14	Plain washer 14		8
8	DIN985-M12	nut M12		8
9	DIN985-M30X1.5	M30X1.5		1
10	WCL5-00116	WASHER		1
11	DIN985-M14	Locking Nut M14		4
12	WCL5-00018	SUPPORT BEARING SEAT		1
13	GB1096-A-10X8X35	A 10x35 key		1
14	GB1096-A-12X8X50	A 12x50 key		1
15	GB1096-C-6X6X14	6x14 PLAIN KEY		1
16	WCL8-00108	SMALL BELT PULLEY		1
17	WCL8-00112	LARGE BELT PULLEY		1
18	WCL5-00109	OUTPUT SHAFT		1
19	WCL5-00115	LOCKING WASHER		1
20	WCL5-00114	NUT M40*1.5		1
21	B1448	B1448-8BELT		4
22	WCL8-00130	BELT PULLEY		1
23	MZ105.115	Retaining Lock washer		1
24	GB93-12	spring washer 12		1
25	WCM8-01011A	FLY WHEEL SHAFT		1



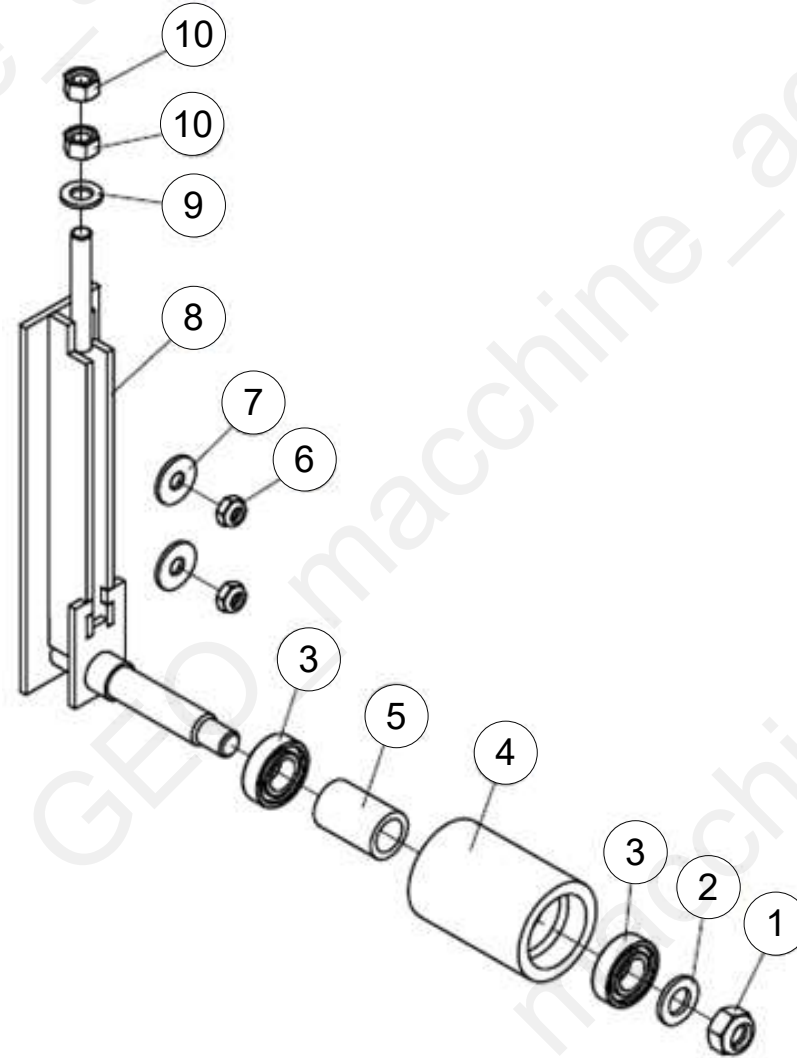
Pos	Code	Description	NOTE	Q.
1	WCM8-01101A	CHIPPER BLADE		2
2	WCM8-01010A	FLY WHEEL DISK		1
3	GB97.1-10	PLAIN WASHER 10		10
4	GB93-10	spring washer 10		10
5	GB5783-M10X25	Bolt M10X25		10
6	GB6170-M12	Nut 12		4
7	GB93-12	spring washer 12		4
8	WCM8-01011A	FLY WHEEL SHAFT		1
9	GB5782-M12X50	Bolt M12x50		4



Pos	Code	Description	NOTE	Q.
1	WCM8-00119A	UPPER CHARGING BOARD		1
2	WCM8-00116A	DOWN CHARGING BOARD		1
3	GB5783-M10X25	Bolt M10X25		16
4	GB97.1-10	PLAIN WASHER 10		30
5	DIN985-M10	Locking nut M10		16
6	24PMF.01.117	Connecting plate		2
7	WCM8-00117A	RIGHT CHARGING BOARD		1
8	WCM8-00121	SPRING		2
9	WCM8-00262	Left Bracket		1
10	WCM8-00023A	STOP HANDLE		1
11	WCM8-00261	U Bracket		2
12	GB97.1-8	Plain washer 8		16
13	GB5783-M8X20	bolt M8X20		8
14	WCM8-00118A	LEFT CHARGING BOARD		1
15	WCM8-00263	Right Bracket		1
16	DIN985-M8	nut M8		8



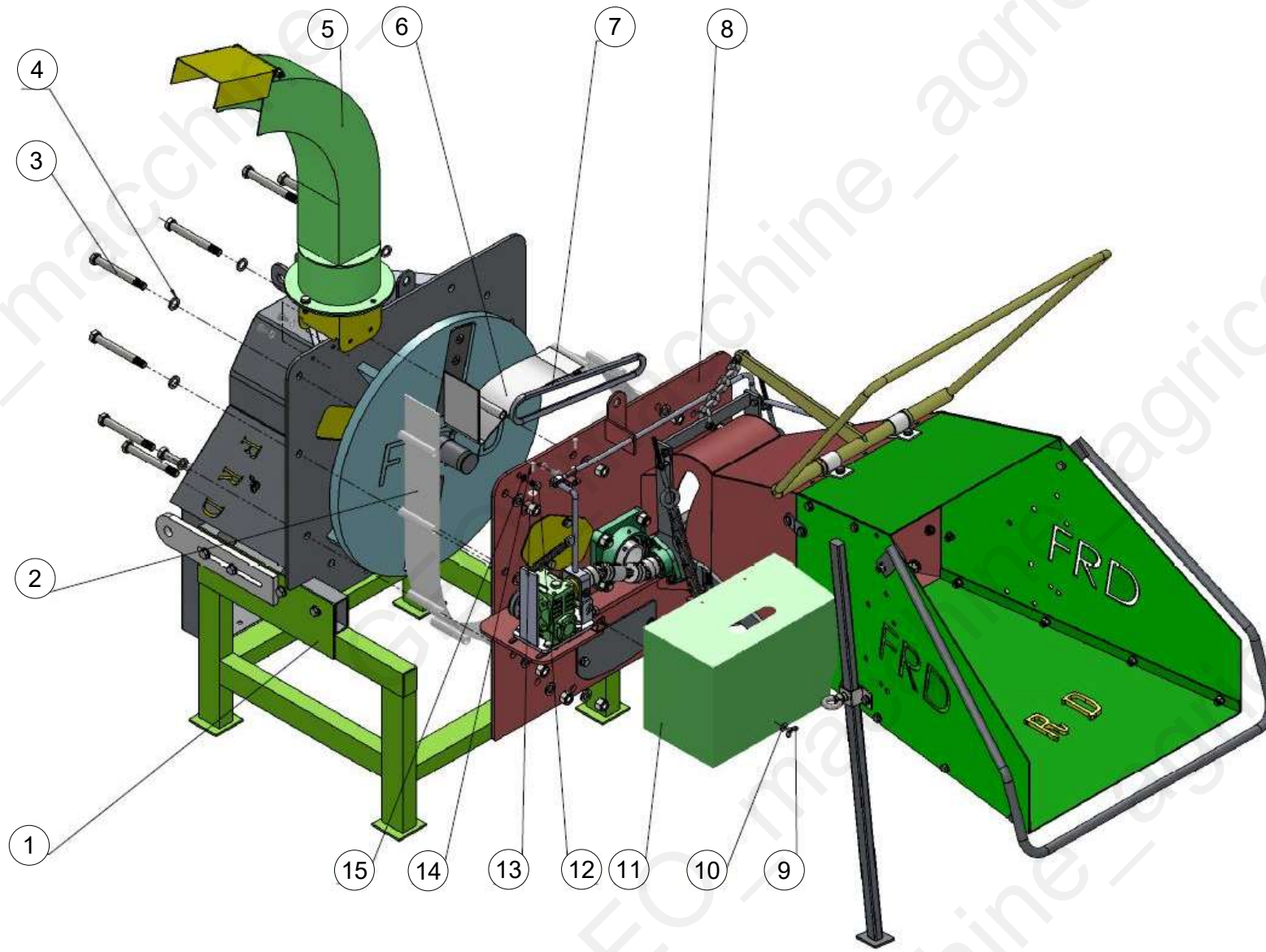
Pos	Code	Description	NOTE	Q.
1	WCM8-03011	PULLEY COVER		1
2	FM120.00.199	PTO cover		1
3	GB5783-M8x20	bolt M8X20		4
4	GB97.1-8	Plain washer 8		8
5	DIN985-M8	nut M8		4
6	GB5783-M10X25	Bolt M10X25		2
7	GB93-10	spring washer 10		2
8	GB97.1-10	PLAIN WASHER 10		2



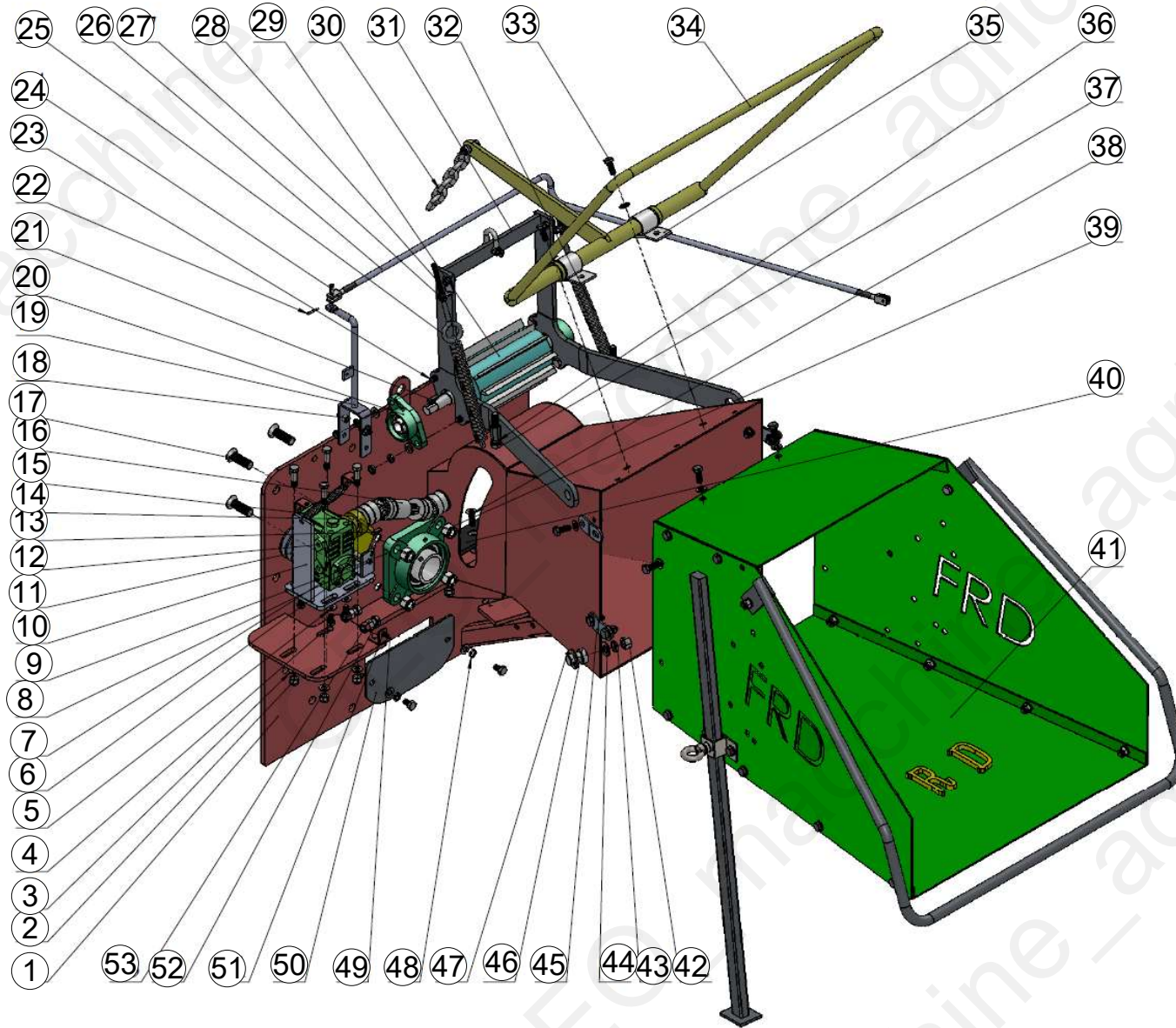
Pos	Code	Description	NOTE	Q.
1	GB6184-M16	M16 NUT		1
2	GB97.1-16	Plain washer 16		1
3	GB276-6004-2Z	Bearing 6004-2Z		2
4	WCL8-00106	TIGHT WHEEL		1
5	WCL5-00107	SPACER		1
6	DIN985-M10	Locking nut M10		2
7	GB96.1-10	Plain washer 10		2
8	WCL5-00016	TENSION WHEEL SUPPORT		1
9	GB97.1-12	plain washer 12		1
10	GB6170-M12	Nut 12		2

ECO 17 2014_2016





Pos	Code	Description	NOTE	Q.
2	F-TY01	Protective Cover Weldment		1
3	GB/T5782-2000-M16x140	BOLT M16×140		13
4	GB/T.95-2000-16	WASHER 16		26
5	F-TY03	Discharge Spout Assembly		1
6	F-TY02	Protective Connected Cover Weldment		1
7	F-TM14	BELT A813		4
9	GB/T62.1-2004	Butterfly Nut6		13
10	GB/T.95-2000-6	WASHER 6		1
11	F-TM15	Gearbox Cover		1
12	GB/T5781-2000-M10×16	BOLT M10×16		3
13	GB/T.889.1-2000-16	Lock Nut M16		1
14	GB/T.93-1987-10	Spring washer 10		1
15	GB/T5781-2000-M6×20	BOLT M6×20		2



Pos	Code	Description	NOTE	Q.
1	F-TM-A01.W01	Infeeding System Support(MZ)		1
2	GB/T.889.1-2000-10	Lock Nut M10		7
3	GB/T97.1-2002-10	Plain washer 10		39
4	GB/T.5781-2000-M8×16	BOLT M8×16		6
5	GB/T97.1-2002-8	Plain washer 8		6
6	GB/T5781-2000-M10×16	BOLT M10×16		4
7	F-TM07	Worm Reduction Gear		1
8	ECO17.2.008	PIN-B8×80		1
9	GB/T.7810-1995-F210	BEARING F210		1
10	F-TM06	Gearbox Adjusted Frame		1
11	F-TM16	Small Pulley		1
12	F-TY05	BLADE REPLACE COVER		1
13	GB/T1096-1979-6×20	KEYS 6×20		1
14	F-TM08	CLUTH		1
15	F-TM-A01.P10	SMALL TENSION SPRING(Stretch)		1
16	ECO17.2.016	Transmission Shaft		1
17	GB/T.68-2000-16x40	SCREW M16×40		4
18	ECO17.2.018	Screws socket head M8×16		2
19	F-TM-A01.P11	CLUTH FORK		1
20	GB/T.7810-1995-FL204	BEARING FL204		2
21	GB/T1096-1979-6×25	KEYS 6×25		1
22	ECO17.2.022	PIN B 2X25		2
23	GB/T5781-2000-M10×40	BOLT M10×40		8
24	GB882-88	Pin 5×18		1
25	F-TY08	STRENGTH BOLT M8×125		2

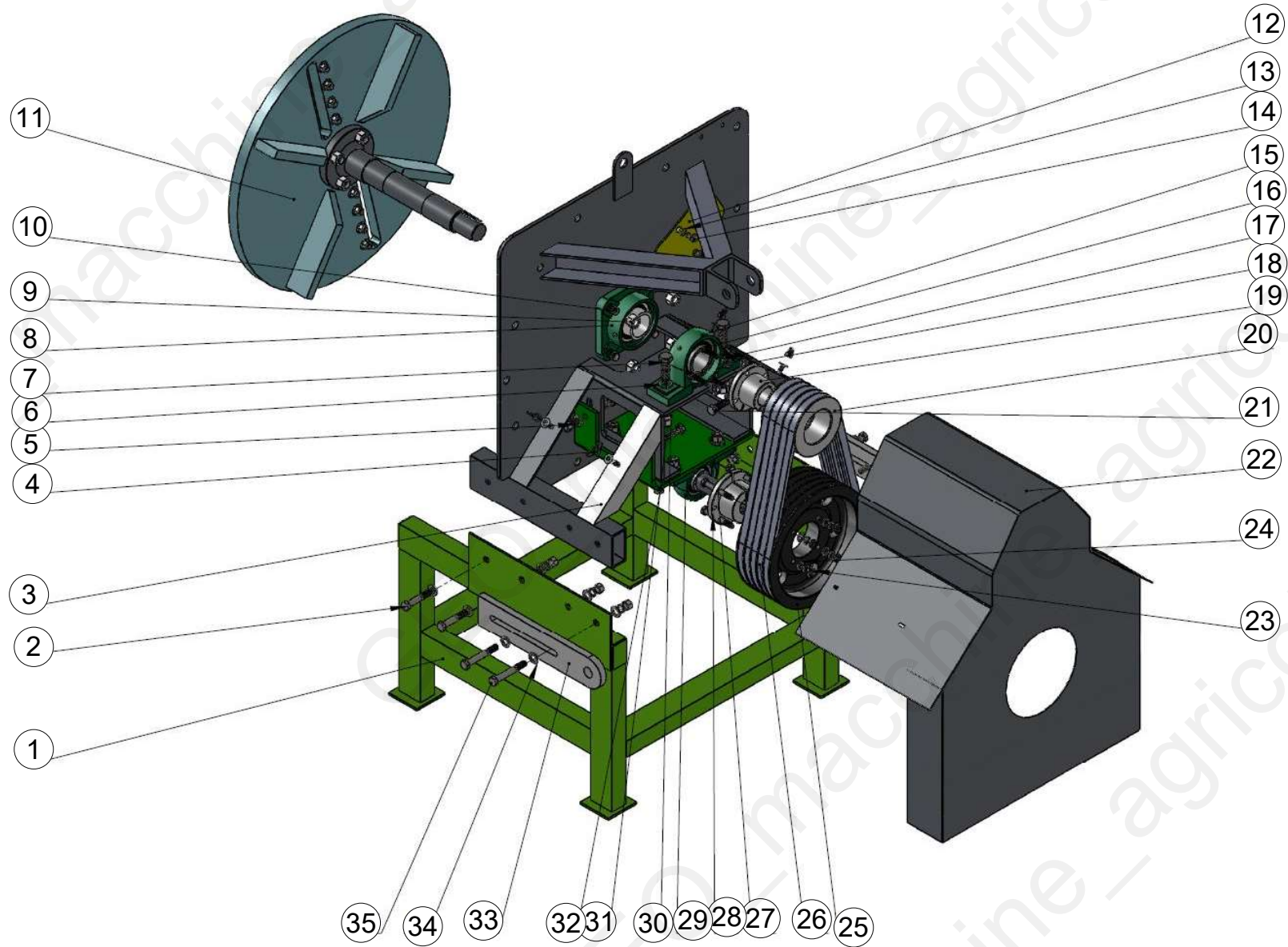
Pos	Code	Description	NOTE	Q.
26	ECO17.2.026	Clutch arrows		1
27	GB/T.6170-2000-8	NUT 8		8
28	F-TY12-1	Spring Lifting Eye		2
29	F-TM12	ACTIVE FEEDING ROLLER		1
30	F-TY-A014	Chain-01		1
31	F-TM-A02.P13	Hanger(TM)		1
32	F-TY18	TENSION SPRING		2
33	GB/T5781-2000-M10×25	BOLT M10×25		12
34	F-TY12	Feed-roller Control Bar		1
35	F-TY17	Fixed set		2
36	GB/T.6170-2000-10	NUT 10		18
37	GB/T.5783-2000-M12x65	Bolt M12×65		2
38	GB/T.68-2000-10x30	SCREW M10×30		3
39	GB/T.889.1-2000-16	Lock Nut M16		4
40	F-TY20	ANVIL		1
41	F-TY-A01	CHIPPER CHUTE EXTENSION(H)		1
42	GB/T.6170-2000-14	NUT 14		2
43	GB/T.93-1987-14	Spring washer 14		2
44	GB/T97.1-2002-14	Plain washer 14		2
45	F-TY13	CHUTE CONNECTION PLATE		4
46	F-TY14	Rotary Axis		2
47	GB/T91-2000/4x28	Cotter pin 4×28		2
48	GB/T.93-1987-10	Spring washer 10		20
49	GB/T5781-2000-M6×20	BOLT M6×20		1
50	F-TY15	CLEAR-OUT DOOR		1

Machine: ECO 17 2014_2016

Assembly: ECO17old_parte 2



Pos	Code	Description	NOTE	Q.
51	GB/T.41-2000-6	Nut M6		1
52	GB/T5781-2000-M12x30	BOLT M12x30		2
53	GB/T.41-2000-12	Nut M12		2

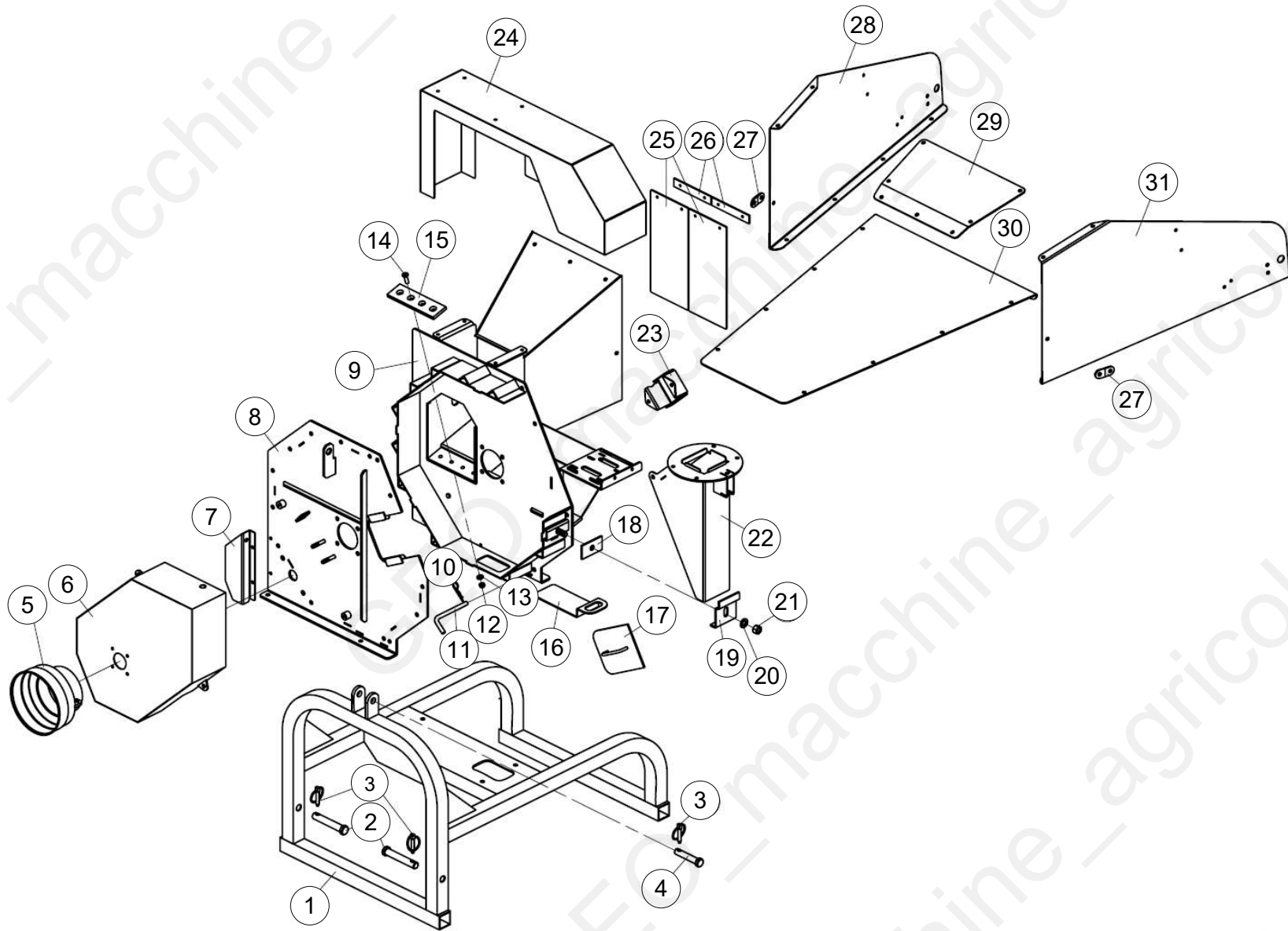


Pos	Code	Description	NOTE	Q.
1	ECO17.01.011	SUPPORTING SHELF -M		1
2	GB/T.5782-2000-M12x65	BOLT M12×65		4
3	ECO17.01.012	Drive System Support Weldment(Z)		1
4	GB/T.62.1-2004-8	Butterfly Nut 8×1		4
5	GB/T.93-1987-12	Spring washer 12		14
6	GB/T.95-2000-16	WASHER 16		4
7	GB/T.5782-2000-M16x50	BOLT M16x50		2
8	GB/T.7810-1995-F210	BEARING F210		1
9	GB/T.889.1-2000-16	Lock Nut M16		4
10	GB/T.68-2000-16x40	SCREW M16×40		4
11	F-TM03	CHIPPER DISK ASSEMBLY(M)		1
12	F-TY05	BLADE REPLACE COVER		1
13	GB/T.93-1987-10	Spring washer 10		6
14	GB/T5781-2000-M10×16	BOLT M10×16		2
15	GB/T.7810-1995-P210	Bearing P210		1
16	GB/T.5781-2000-M8×35	BOLT M8x35		4
17	GB/T.93-1987-8	Spring washer 8		4
18	GB/T97.1-2002-8	Plain washer 8		8
19	F-TYX	Small Internal Swell able Sleeve		1
20	F-TY07	Small Pulley		1
21	GB/T.5782-2000-M12x40	BOLT M12×40		8
22	ECO17.01.022	BEARING CAGE(T)		1
23	GB/T.6170-2000-10	NUT 10		4
24	GB/T97.1-2002-10	Plain washer 10		4
25	F-TY09-1	Big Pulley		1

Pos	Code	Description	NOTE	Q.
26	GB/T.11356.1-2008	BELT-B1168		5
27	GB/T.5782-2000-M10x75	BOLT M10x75		4
28	F-TY10-1	Big Internal Swell able Sleeve		1
29	F-TH/TM-A01	Drive input System		1
30	GB/T.93-1987-16	Spring washer 16		2
31	GB/T.41-2000-16	Nut M16		2
32	GB/T.41-2000-12	Nut M12		16
33	F-TY16-1	FORK ARM		2
34	GB/T.95-2000-12	WASHER 12		28
35	GB/T.5782-2000-M12x85	BOLT M12x85		4

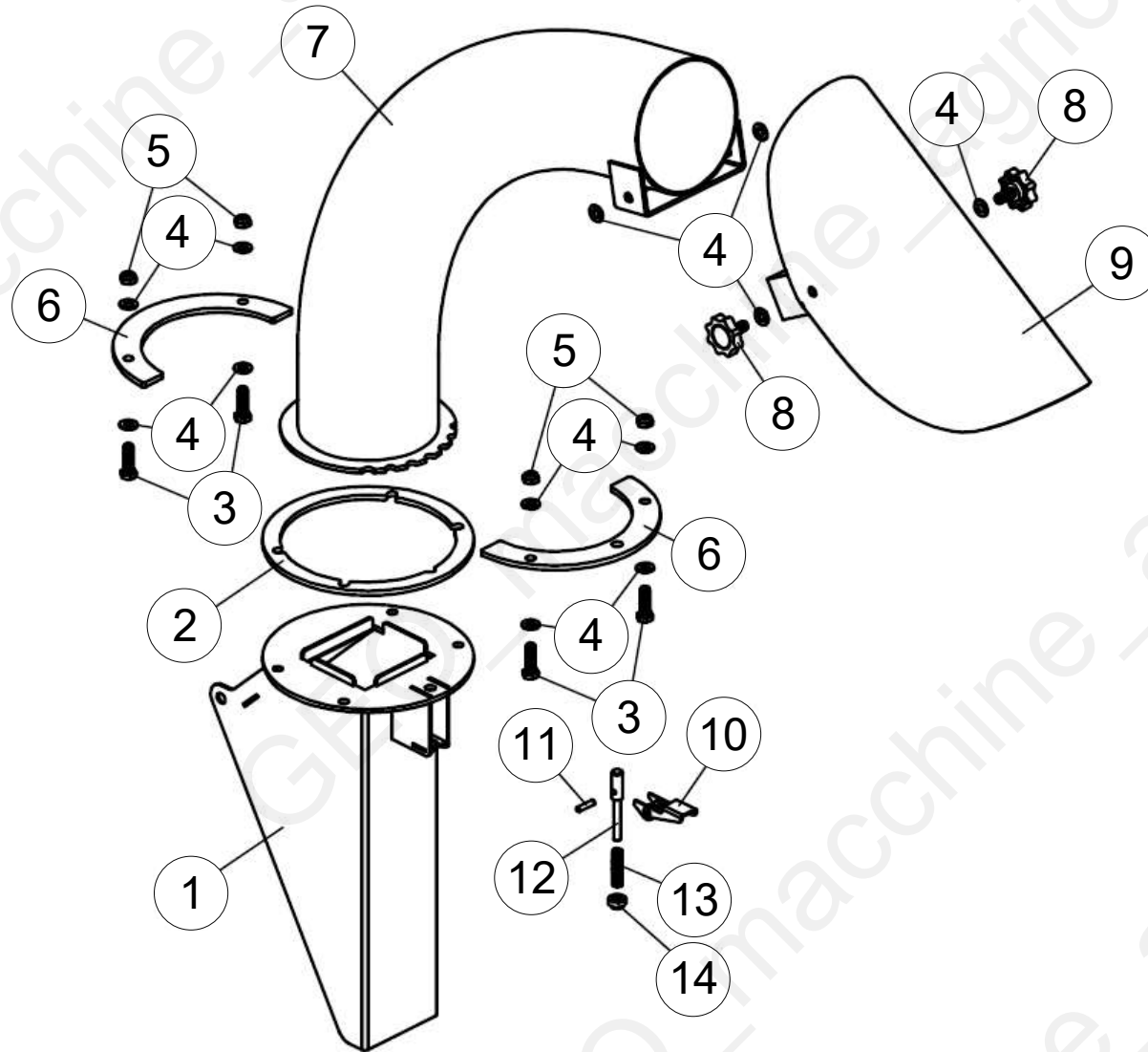
ECO 17 2010-2013



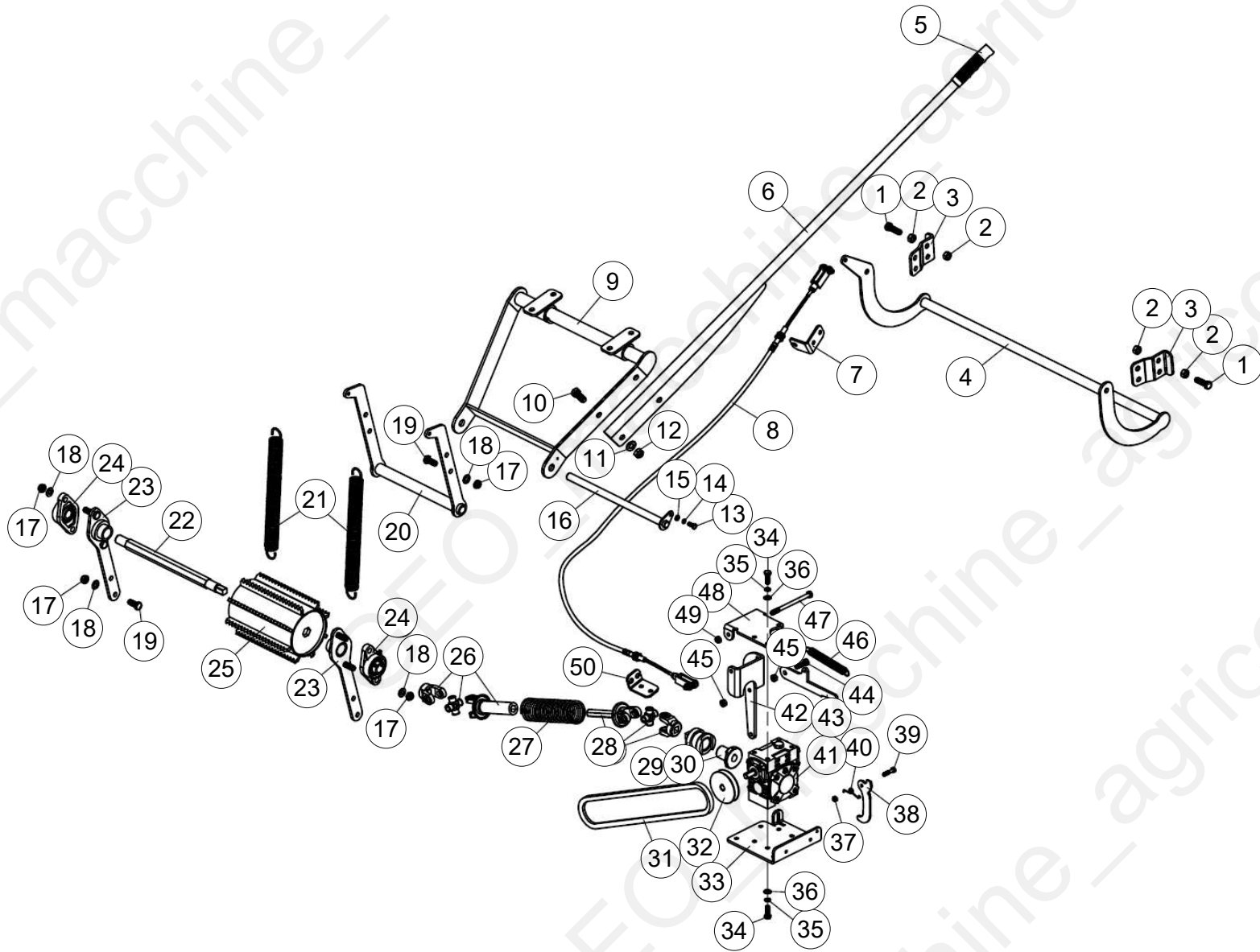


Pos	Code	Description	NOTE	Q.
1	WCM8-00011	CHIPPER SEAT WELDMENT		1
2	WCL5-00101	PIN FOR UP-LINK		2
3	200.56.011	Lock pin		3
4	EF100.00.019	Support		1
5	FM120.00.401	PTO GUARD		1
6	WCM8-03011	PULLEY COVER		1
7	WCM8-00163	BAFFLE BOARD		1
8	WCM8-00017	BACK COVER		1
9	WCM8-02001	CHIPPER BODY WELDMENT		1
10	GB/T91	R pin		1
11	WCL5-00133	LOCKING PIN		1
12	GB6184-86/M10	Locking nut M10		4
13	GB97.1-85/10-30	PLAIN WASHER M10*30		4
14	GB70.3-2000/M10x30	BOLT M10*30		4
15	WCM8-02101	BED BLADE		1
16	WCM8-00188	COVER TAKE OUT PLATE		1
17	WCM8-00033	WINDOW COVER BOARD		1
18	WCL5-00105	RUBBER WASHER		1
19	WCM8-00104	COMPACT BOARD		1
20	GB97.1-85/16	Plain washer 16		1
21	GB6170-86-M16	Nut M16		1
22	WCM8-00015	DISCHARGE BUCKET		1
23	WCM8-00166	DOWN COVER BOARD		1
24	WCM8-00013	GEAR BOX COVER		1
25	WCL8-00110	PLASTIC BAFFLE BOARD		1

Pos	Code	Description	NOTE	Q.
26	WCL8-00111	COMPACT BOARD		1
27	24PMF.01.117	Connecting plate		2
28	WCM8-00117	RIGHT CHARGING BOARD		1
29	WCM8-00119	UPPER CHARGING BOARD		1
30	WCM8-00116	DOWN CHARGING BOARD		1
31	WCM8-00118	LEFT CHARGING BOARD		1

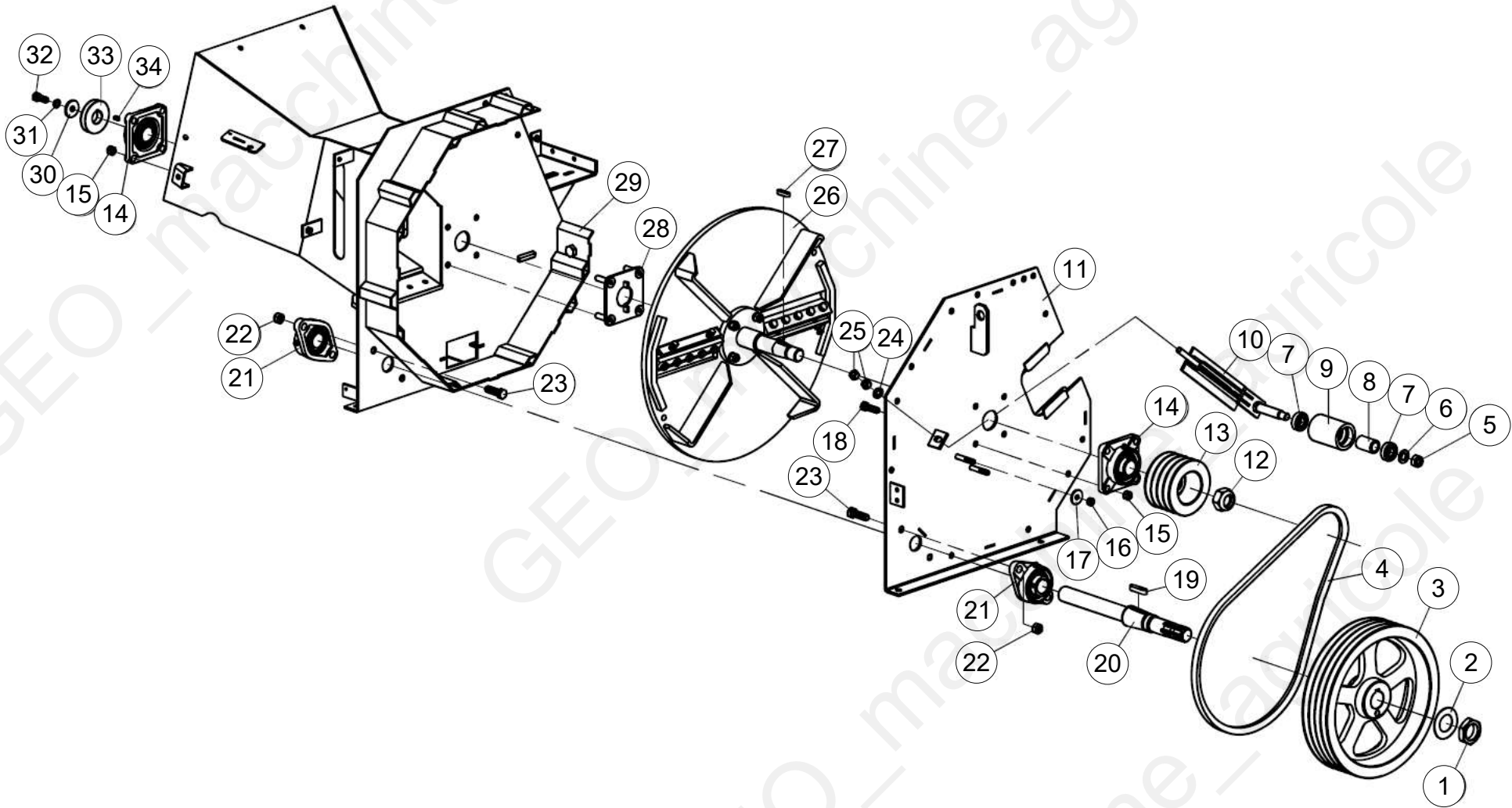


Pos	Code	Description	NOTE	Q.
1	WCM8-00015	DISCHARGE BUCKET		1
2	WCM8-00191	SPACER		1
3	GB5783-86/M10×35	Bolt M10x35		4
4	GB97.1-85/10	Plain washer 10		12
5	GB6184-86/M10	Locking nut M10		4
6	WCM8-00180	COMPACT BOARD		2
7	WCM8-00036	DISCHARGE PIPE WELDMENT		1
8	FM100.00.018	BOLT ASSEMBLY		2
9	WCM8-00012	DISCHARGE COVER		1
10	WCM8-00038	HANDLE ASSEMBLY		1
11	GB879-86/6x24	SPRING PIN 6*24		1
12	WCM8-00184	LOCK PIN		1
13	WCM8-00185	LOCK SUPPORTING		1
14	WCM8-00186	LOCK SUPPORTING SEAT		1



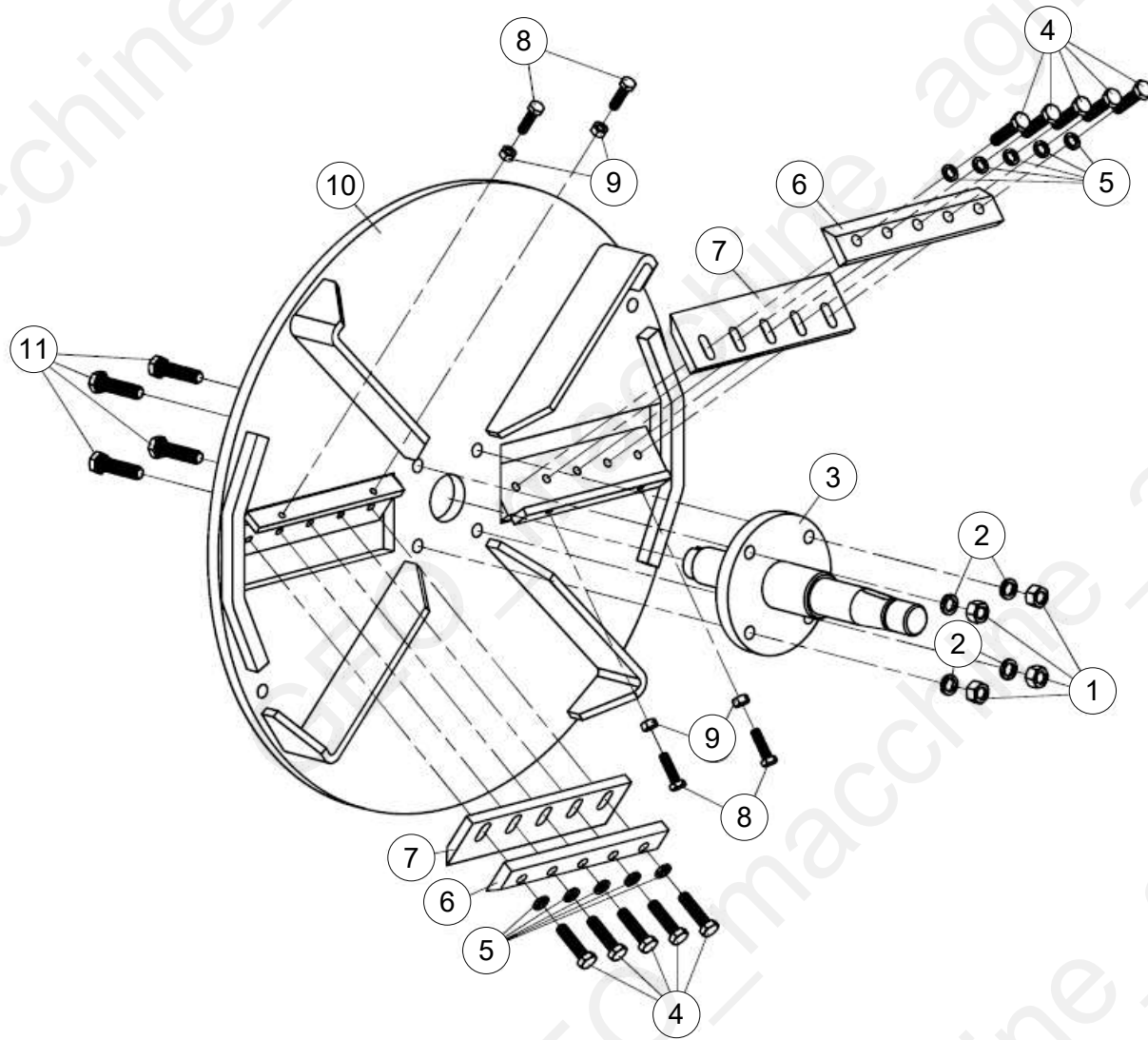
Pos	Code	Description	NOTE	Q.
1	GB5783-86/M10×30	Bolt M10x30		2
2	GB6170-86-M10	Nut M10		4
3	WCM8-00193	CONNECTING PLATE		2
4	WCM8-00023	STOP HANDLE		1
5	S26.01.103	Handle cover		1
6	WCM8-00027	ROLLER LIFT HANDLE		1
7	WCM8-00194	CONNECTING PLATE		1
8	WCM8-00022	LOCKING LINE		1
9	WCM8-00026	SWING BODY		1
10	GB5783-86/M12x30	Bolt M12x30		1
11	GB97.1-85/12	Plain washer 12		1
12	GB6184-86/M12	Locking nut M12		1
13	GB5783-86/M12x30	Bolt M12x30		1
14	GB93-87-6	Spring lock washer 6		1
15	GB97.1-85/6	Plain washer 6		1
16	WCM8-00032	LIFT SUPPORT SHAFT		1
17	GB6184-86/M10	Locking nut M10		3
18	GB97.1-85/10	Plain washer 10		3
19	GB5783-86/M10×25	Bolt M10x25		3
20	WCM8-00031	LIFT CONNECT SUPPORT FOR ROLLER		1
21	WCL8-00170	SPRING		2
22	WCM8-00131	ROLLER SHAFT		1
23	WCM8-00030	LIST ARM		2
24	UCFL204	BEARING SEAT UCFL204		2
25	WCM8-00028	ROLLER		1

Pos	Code	Description	NOTE	Q.
26	24PMF.03.017A	Outer drive shaft		1
27	WCL8-00170	SPRING		1
28	24PMF.03.018A	inner drive shaft		1
29	24PMF.03.108	Clutch outer claw		1
30	24PMF.03.107	Clutch inner claw		1
31	GB11544-97-A800	BELT A 800		1
32	24PMF.03.105	BELT PULLEY		1
33	WCM8-00187	REDUCE SUPPORT		1
34	GB5783-86/M8x20	Bolt M8x20		2
35	GB93-87-8	Spring lock washer 8		2
36	GB97.1-85/8	Plain washer 8		2
37	GB6184-86/M6	Locking nut M6		1
38	WCM8-00189	UNLOCK BOARD		1
39	GB5782-86/M6x30	Bolt M6x30		1
40	WCM8-00190	SPRING		1
41	Q/IAKY01-91	WORM REDUCTION GEAR		1
42	WCM8-00182	PULL BOARD		1
43	WCM8-00122	LOCKING BOARD		1
44	GB5783-86/M8x30	Bolt M8x30		1
45	GB6170-86-M8	Nut M8		2
46	WCM8-00121	SPRING		1
47	GB5782-86	BOLT		1
48	WCM8-00183	SUPPORT BOARD		1
49	GB6184-86/M8	Locking nut M8		1
50	WCM8-00181	LOCKING SEAT		1



Pos	Code	Description	NOTE	Q.
1	WCL5-00114	NUT M40*1.5		1
2	WCL5-00115	LOCKING WASHER		1
3	WCL8-00112	LARGE BELT PULLEY		1
4	GB11544-97-1168	BELT B 46		1
5	GB6184-86/M16x1.5	Locking nut M16X1.5		1
6	GB97.1-85/16	Plain washer 16		1
7	GB278-89-104	BEARING 104		2
8	WCL5-00107	SPACER		1
9	WCL5-00106	TENSION WHEEL		1
10	WCL5-00016	TENSION WHEEL SUPPORT		1
11	WCM8-00017	BACK COVER		1
12	GB6184-86/M30	Locking nut M30		1
13	WCL8-00108	SMALL BELT PULLEY		1
14	UCF207	BEARING SEAT UCF207 SQUARED		2
15	GB6184-86/M12	Locking nut M12		8
16	GB6184-86/M10	Locking nut M10		2
17	GB5287-85	BIG PLAIN WASHER		2
18	GB5783-86/M12x40	Bolt M12x40		4
19	GB/T.1096-2003-12x50	Flat key 12*50		1
20	WCL5-00109	OUTPUT SHAFT		1
21	UCFL207	BEARING SEAT UCFL207		2
22	GB6184-86/M14	Locking nut M14		4
23	GB5783-86/M14x45	Bolt M14X45		4
24	GB97.1-85/12	Plain washer 12		1
25	GB6170-86-M12	Nut M12		2

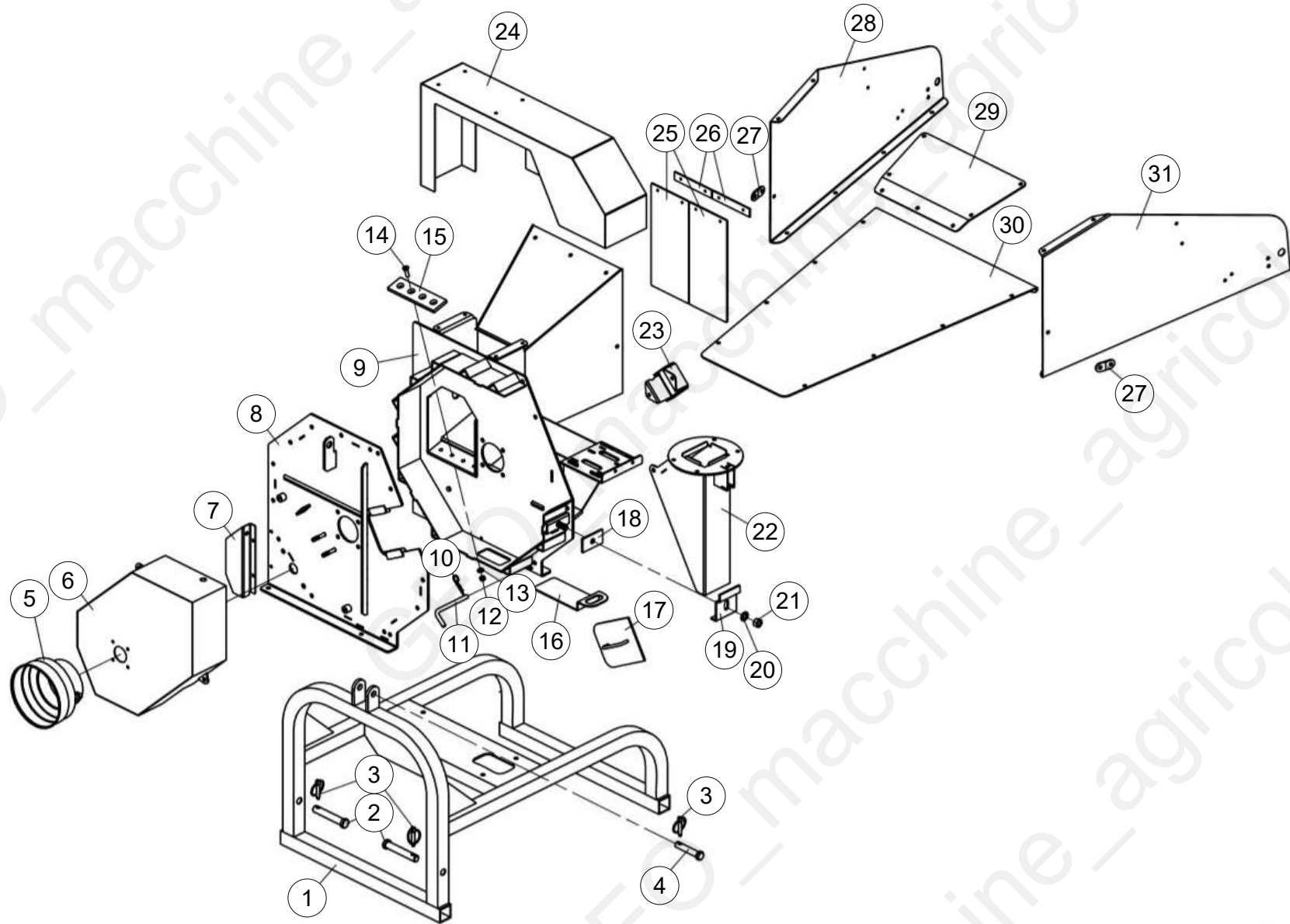
Pos	Code	Description	NOTE	Q.
27	GB/T.1096-2003-10x25	Flat key 10*25		2
28	WCL5-00018	SUPPORT BEARING SEAT		1
29	WCM8-02001	CHIPPER BODY WELDMENT		1
30	MZ105.115	Retaining Lock washer		1
31	GB93-87-12	Spring lock washer 12		1
32	GB5783-86/M12x30	Bolt M12x30		1
33	WCL8-00130	BELT PULLEY		1
34	GB/T.1096-2003-6x14	Flat key C6*14		1



Pos	Code	Description	NOTE	Q.
1	GB6170-86-M12	Nut M12		4
2	GB93-87-12	Spring lock washer 12		4
3	WCL8-01011	FLY WHEEL AXLE		1
4	GB5783-86/M10x40	Bolt M10X40		10
5	GB93-87	SPRINGWASHER		10
6	WCM8-01102	COMPACT BOARD FOR BLADE		2
7	WCM8-01101	BLADE		2
8	GB5783-86/M8x30	Bolt M8x30		4
9	GB6170-86-M8	Nut M8		4
10	WCM8-01010	FLY WHEEL ASSEMBLY		1
11	GB5783-86/M12x50	Bolt M12x50		4

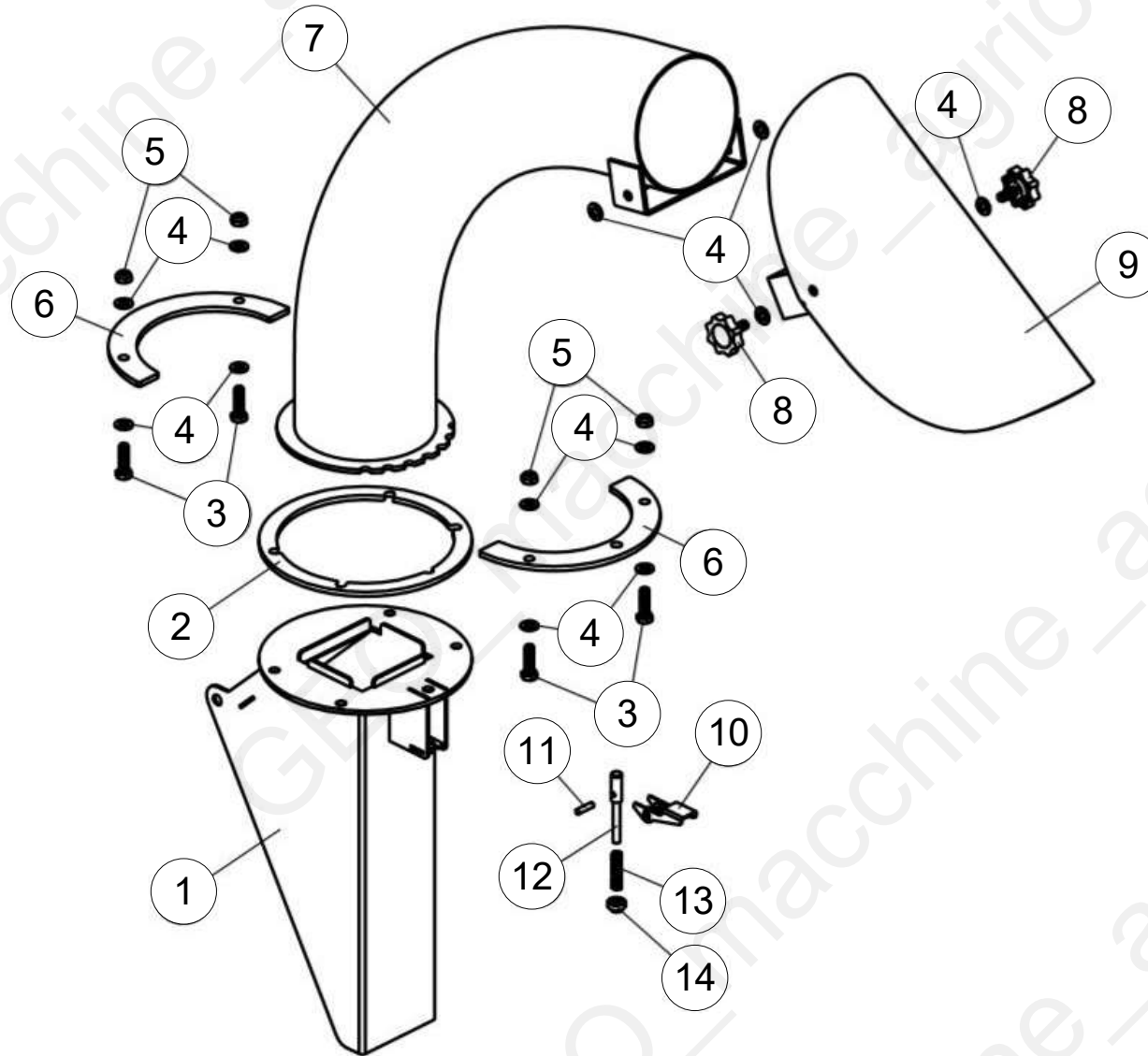
ECO 17 2008 2009



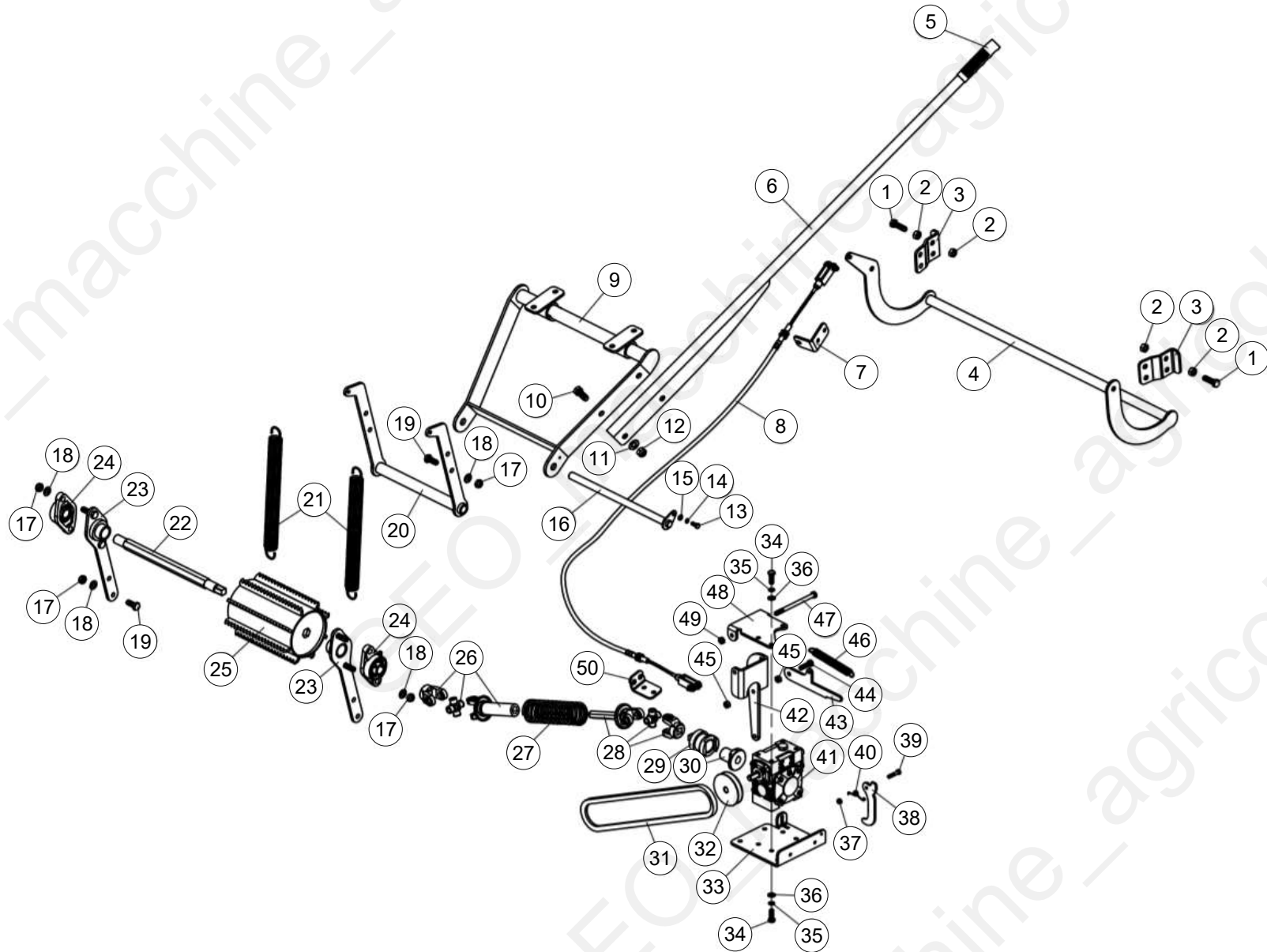


Pos	Code	Description	NOTE	Q.
1	WCM8-00011	CHIPPER SEAT WELDMENT		0
2	WCL5-00101	PIN FOR UP-LINK		0
3	200.56.011	Lock pin		0
4	EF100.00.019	Support		0
5	FM120.00.401	PTO GUARD		0
6	WCM8-03011	PULLEY COVER		0
7	WCM8-00163	BAFFLE BOARD		0
8	WCM8-00017	BACK COVER		0
9	WCM8-02001	CHIPPER BODY WELDMENT		0
10	GB/T91	R pin		1
11	WCL5-00133	LOCKING PIN		0
12	GB6184-86/M10	Locking nut M10		0
13	GB97.1-85/10-30	PLAIN WASHER M10*30		0
14	GB70.3-2000/M10x30	BOLT M10*30		0
15	WCM8-02101	BED BLADE		0
16	WCM8-00188	COVER TAKE OUT PLATE		0
17	WCM8-00033	WINDOW COVER BOARD		0
18	WCL5-00105	RUBBER WASHER		0
19	WCM8-00104	COMPACT BOARD		0
20	GB97.1-85/16	Plain washer 16		0
21	GB6170-86-M16	Nut M16		0
22	WCM8-00015	DISCHARGE BUCKET		0
23	WCM8-00166	DOWN COVER BOARD		0
24	WCM8-00013	GEAR BOX COVER		0
25	WCL8-00110	PLASTIC BAFFLE BOARD		0

Pos	Code	Description	NOTE	Q.
26	WCL8-00111	COMPACT BOARD		0
27	24PMF.01.117	Connecting plate		0
28	WCM8-00117	RIGHT CHARGING BOARD		0
29	WCM8-00119	UPPER CHARGING BOARD		0
30	WCM8-00116	DOWN CHARGING BOARD		0
31	WCM8-00118	LEFT CHARGING BOARD		0

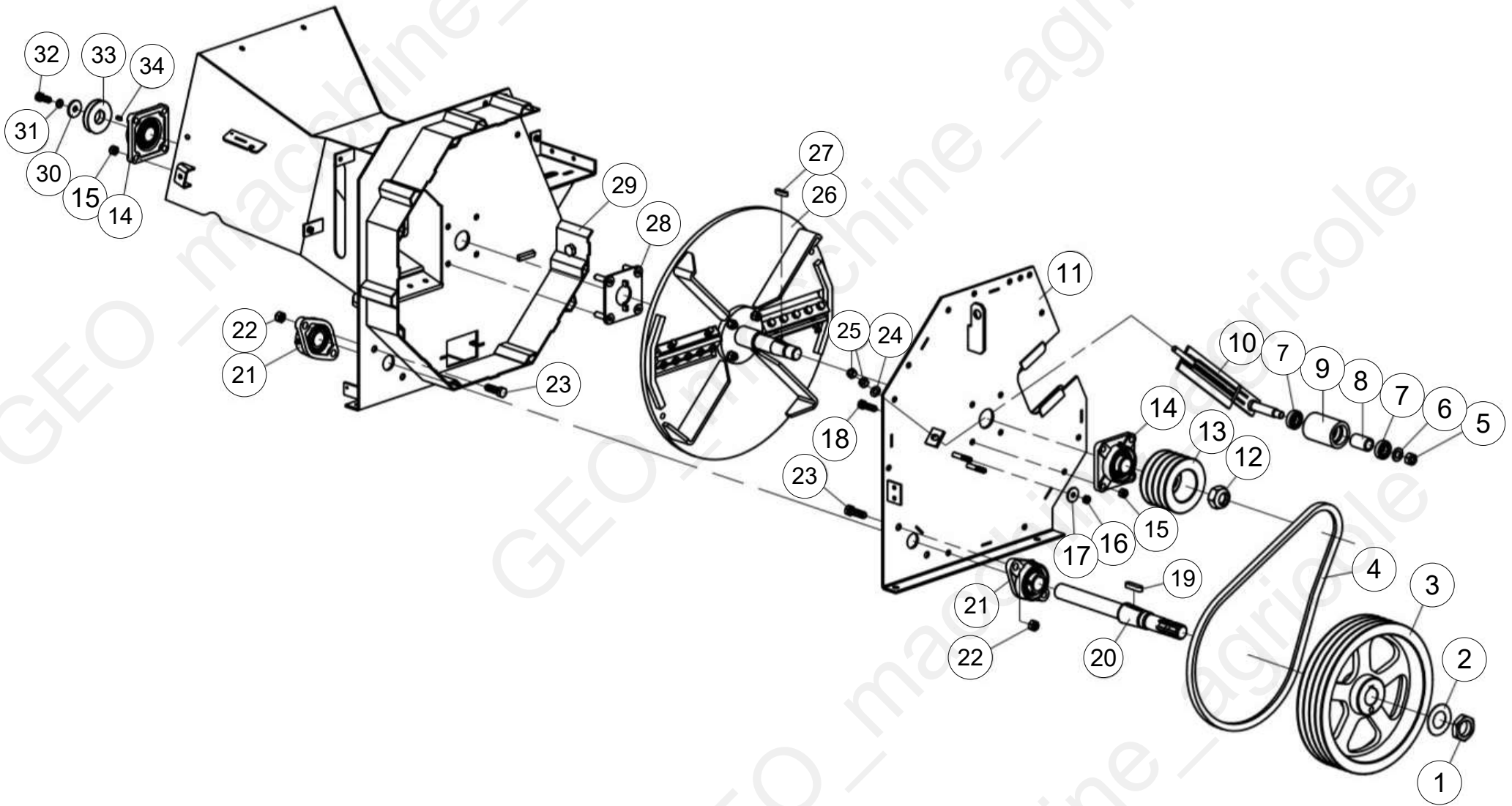


Pos	Code	Description	NOTE	Q.
1	WCM8-00015	DISCHARGE BUCKET		0
2	WCM8-00191	SPACER		0
3	GB5783-86/M10×35	Bolt M10x35		0
4	GB97.1-85/10	Plain washer 10		0
5	GB6184-86/M10	Locking nut M10		0
6	WCM8-00180	COMPACT BOARD		0
7	WCM8-00036	DISCHARGE PIPE WELDMENT		0
8	FM100.00.018	BOLT ASSEMBLY		0
9	WCM8-00012	DISCHARGE COVER		0
10	WCM8-00038	HANDLE ASSEMBLY		0
11	GB879-86/6x24	SPRING PIN 6*24		0
12	WCM8-00184	LOCK PIN		0
13	WCM8-00185	LOCK SUPPORTING		0
14	WCM8-00186	LOCK SUPPORTING SEAT		0



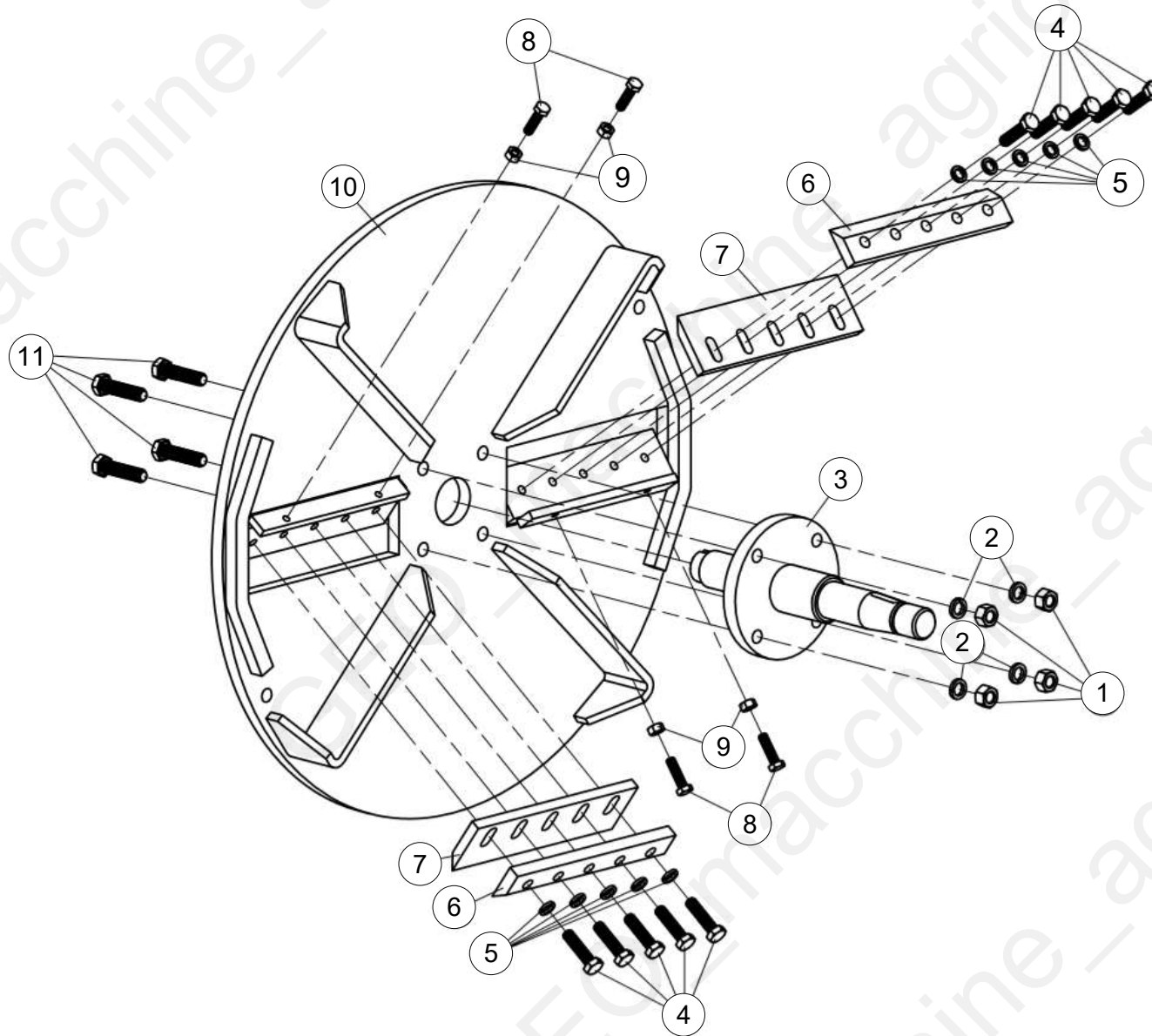
Pos	Code	Description	NOTE	Q.
1	GB5783-86/M10×30	Bolt M10x30		0
2	GB6170-86-M10	Nut M10		0
3	WCM8-00193	CONNECTING PLATE		0
4	WCM8-00023	STOP HANDLE		0
5	S26.01.103	Handle cover		0
6	WCM8-00027	ROLLER LIFT HANDLE		0
7	WCM8-00194	CONNECTING PLATE		0
8	WCM8-00022	LOCKING LINE		0
9	WCM8-00026	SWING BODY		0
10	GB5783-86/M12x30	Bolt M12x30		0
11	GB97.1-85/12	Plain washer 12		0
12	GB6184-86/M12	Locking nut M12		0
13	GB5783-86/M12x30	Bolt M12x30		0
14	GB93-87-6	Spring lock washer 6		0
15	GB97.1-85/6	Plain washer 6		0
16	WCM8-00032	LIFT SUPPORT SHAFT		0
17	GB6184-86/M10	Locking nut M10		0
18	GB97.1-85/10	Plain washer 10		0
19	GB5783-86/M10×25	Bolt M10x25		0
20	WCM8-00031	LIFT CONNECT SUPPORT FOR ROLLER		0
21	WCL8-00170	SPRING		0
22	WCM8-00131	ROLLER SHAFT		0
23	WCM8-00030	LIST ARM		0
24	UCFL204	BEARING SEAT UCFL204		1
25	WCM8-00028	ROLLER		0

Pos	Code	Description	NOTE	Q.
26	24PMF.03.017A	Outer drive shaft		0
27	WCL8-00170	SPRING		0
28	24PMF.03.018A	inner drive shaft		0
29	24PMF.03.108	Clutch outer claw		0
30	24PMF.03.107	Clutch inner claw		0
31	GB11544-97	BELT		0
32	24PMF.03.105	BELT PULLEY		0
33	WCM8-00187	REDUCE SUPPORT		0
34	GB5783-86/M8x20	Bolt M8x20		0
35	GB93-87-8	Spring lock washer 8		0
36	GB97.1-85/8	Plain washer 8		0
37	GB6184-86/M6	Locking nut M6		0
38	WCM8-00189	UNLOCK BOARD		0
39	GB5782-86/M6x30	Bolt M6x30		0
40	WCM8-00190	SPRING		0
41	Q/IAKY01-91	WORM REDUCTION GEAR		0
42	WCM8-00182	PULL BOARD		0
43	WCM8-00122	LOCKING BOARD		0
44	GB5783-86/M8x30	Bolt M8x30		0
45	GB6170-86-M8	Nut M8		0
46	WCM8-00121	SPRING		0
47	GB5782-86	BOLT		0
48	WCM8-00183	SUPPORT BOARD		0
49	GB6184-86/M8	Locking nut M8		0
50	WCM8-00181	LOCKING SEAT		0



Pos	Code	Description	NOTE	Q.
1	WCL5-00114	NUT M40*1.5		0
2	WCL5-00115	LOCKING WASHER		0
3	WCL8-00112	LARGE BELT PULLEY		0
4	GB11544-97	BELT		0
5	GB6184-86/M16x1.5	Locking nut M16X1.5		0
6	GB97.1-85/16	Plain washer 16		0
7	GB278-89-104	BEARING 104		0
8	WCL5-00107	SPACER		0
9	WCL5-00106	TENSION WHEEL		0
10	WCL5-00016	TENSION WHEEL SUPPORT		0
11	WCM8-00017	BACK COVER		0
12	GB6184-86/M30	Locking nut M30		0
13	WCL8-00108	SMALL BELT PULLEY		0
14	UCF207	BEARING SEAT UCF207 SQUARED		0
15	GB6184-86/M12	Locking nut M12		0
16	GB6184-86/M10	Locking nut M10		0
17	GB5287-85	BIG PLAIN WASHER		0
18	GB5783-86/M12x40	Bolt M12x40		0
19	GB/T.1096-2003-12x50	Flat key 12*50		0
20	WCL5-00109	OUTPUT SHAFT		0
21	UCFL207	BEARING SEAT UCFL207		0
22	GB6184-86/M14	Locking nut M14		0
23	GB5783-86/M14x45	Bolt M14X45		0
24	GB97.1-85/12	Plain washer 12		0
25	GB6170-86-M12	Nut M12		0

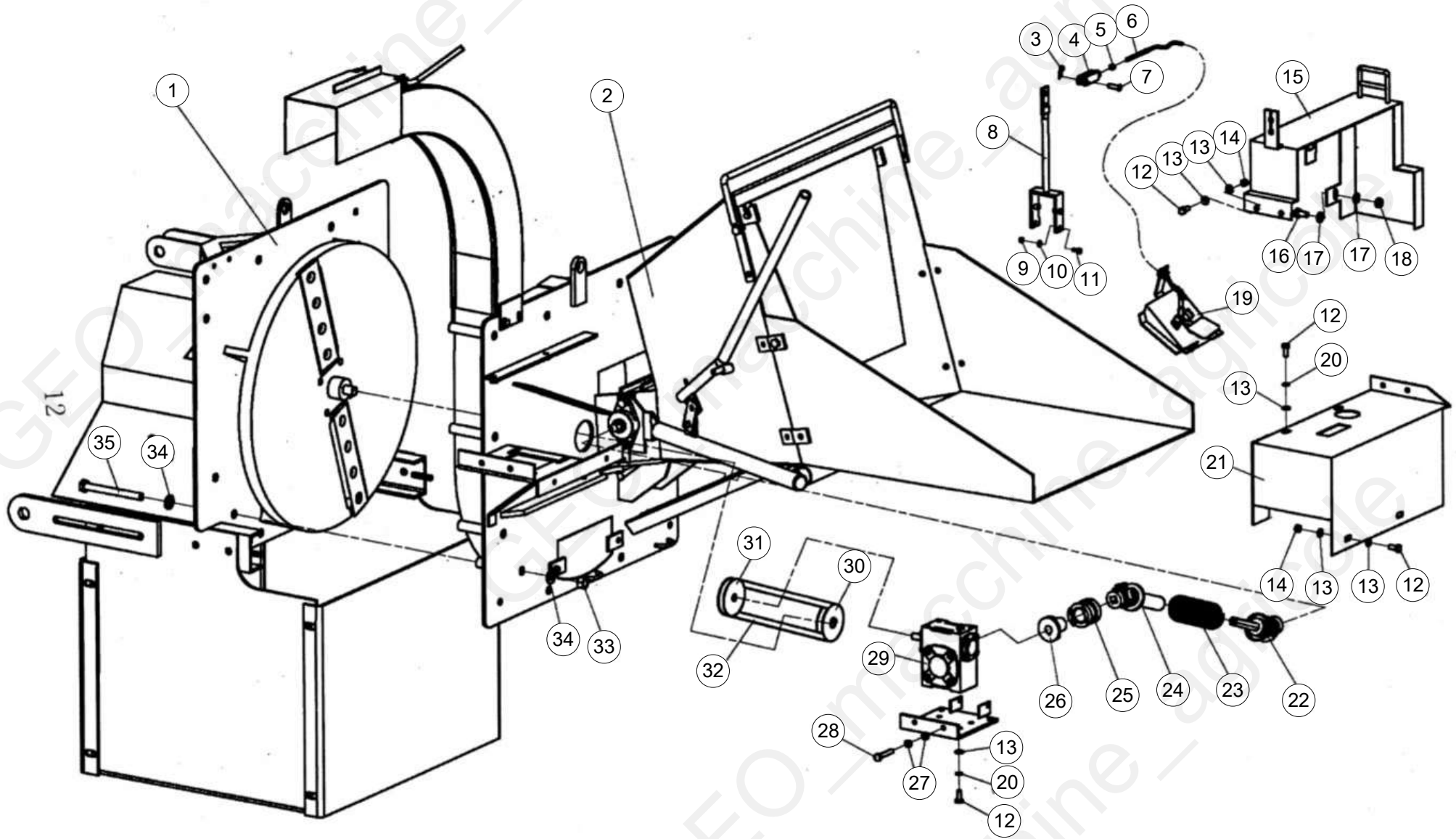
Pos	Code	Description	NOTE	Q.
27	GB/T.1096-2003-10x25	Flat key 10*25		0
28	WCL5-00018	SUPPORT BEARING SEAT		0
29	WCM8-02001	CHIPPER BODY WELDMENT		0
30	MZ105.115	Retaining Lock washer		0
31	GB93-87-12	Spring lock washer 12		0
32	GB5783-86/M12x30	Bolt M12x30		0
33	WCL8-00130	BELT PULLEY		0
34	GB/T.1096-2003-6x14	Flat key C6*14		0



Pos	Code	Description	NOTE	Q.
1	GB6170-86-M12	Nut M12		0
2	GB93-87-12	Spring lock washer 12		0
3	WCL8-01011	FLY WHEEL AXLE		0
4	GB5783-86/M10x40	Bolt M10X40		0
5	GB93-87	SPRINGWASHER		0
6	WCM8-01102	COMPACT BOARD FOR BLADE		0
7	WCM8-01101	BLADE		0
8	GB5783-86/M8x30	Bolt M8x30		0
9	GB6170-86-M8	Nut M8		0
10	WCM8-01010	FLY WHEEL ASSEMBLY		0
11	GB5783-86/M12x50	Bolt M12x50		0

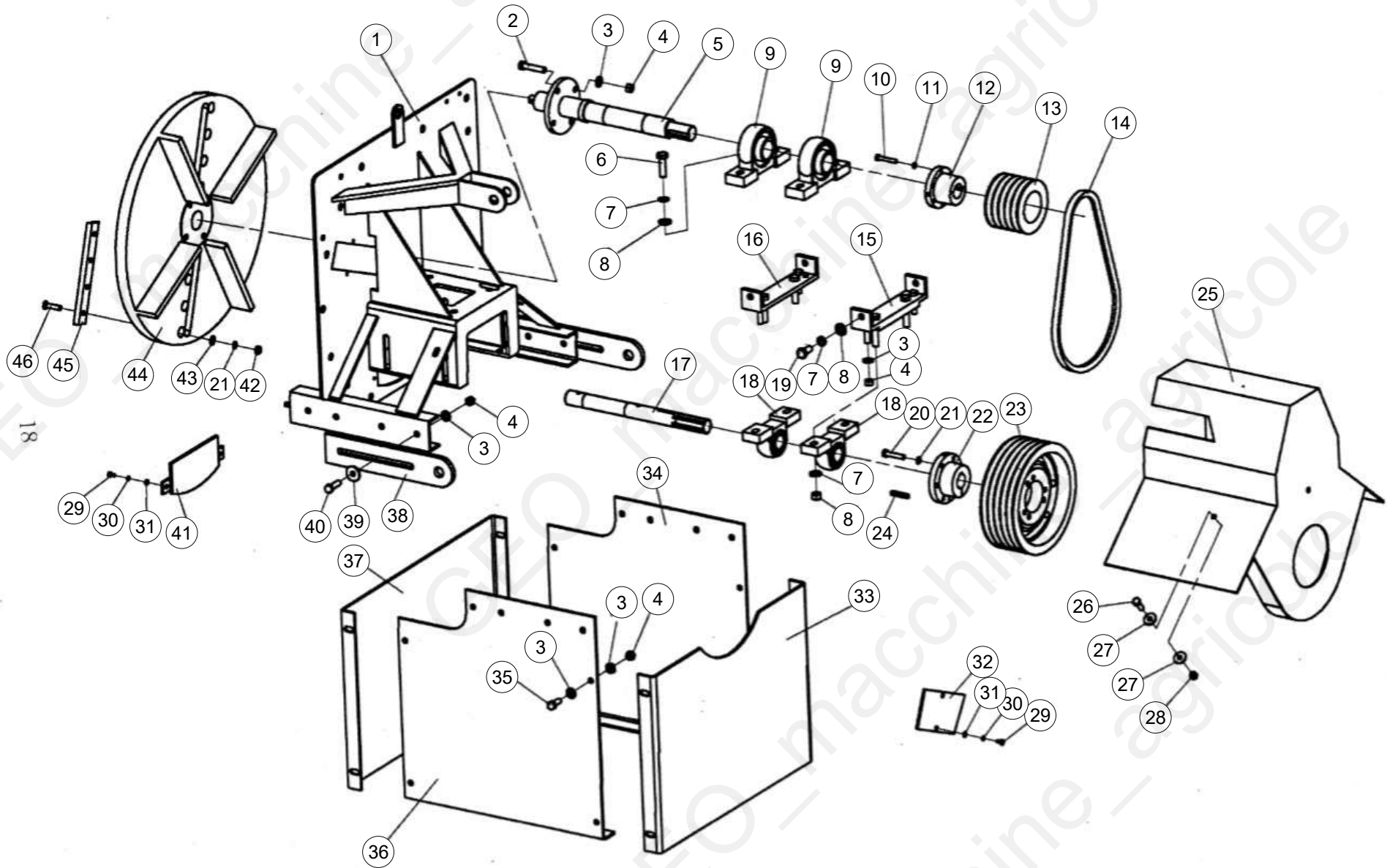
ECO 17 2007





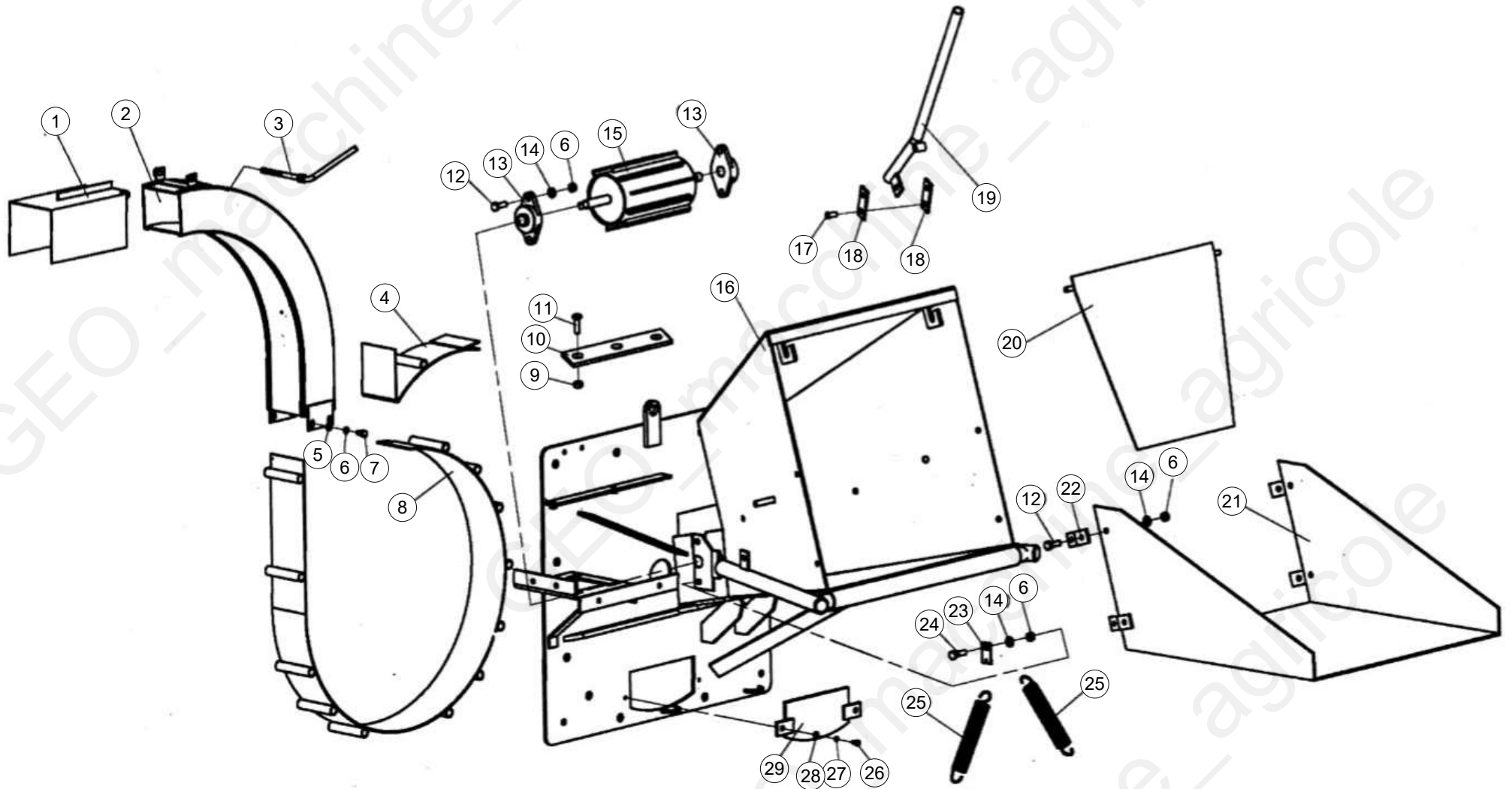
Pos	Code	Description	NOTE	Q.
3	GB/T91	R pin		1
4	24PMF.03.112	Joint connect		1
5	GS6170-86	Nut M6		1
6	24PMF.03.141	Locking line		1
7	24PMF.03.101	Pin shaft		1
8	24PMF.03.011	Release handle		1
9	GS889-86-M6	Locking nut M6		2
10	GS97.1-85/6	Plain washer 6		2
11	GS5783-86-M6x16	Bolt M6x16		2
12	GS5783-86-M8x20	Bolt M8x20		10
13	GS97.1-85/8	Plain washer 8		14
14	GB889-86-M8	Locking nut M8		4
15	24PMF.03.015	Roller case		1
16	GS5783-86-M10x20	Bolt M10x20		2
17	GS97.1-85/10	Plain washer 10		4
18	GS889-86-M10	Locking nut M10		2
19	24PMF.03.020	Foot treadle		6
20	GB93-87-8	Spring lock washer 8		6
21	24PMF.03.016	Gearbox cover		1
22	24PMF.03.018A	inner drive shaft		1
23	24PMF.03.109-1	Spring for drive shaft		1
24	24PMF.03.017A	Outer drive shaft		1
25	24PMF.03.108	Clutch outer claw		1
26	24PMF.03.107	Clutch inner claw		1
27	GB6170-86-M8	Nut M8		4

Pos	Code	Description	NOTE	Q.
28	GB5783-86/M8x50	Bolt M8x50		2
29	Q-IAKY01-91	Worm reduction gear		1
30	24PMF.03.111	Belt pulley		1
31	24PMF.03.105	BELT PULLEY		23
32	GBT1171-96	Belt A991		1
33	GB889-86-M12x1.5	Locking nut M12x1.5		13
34	GB97.1-85/14	Plain washer 14		26
35	GB5782-86/M14x135	Bolt M14x135		13



Pos	Code	Description	NOTE	Q.
1	24PMF.02.012	Support		1
2	GB5783-86/M12x60	Bolt M12X60		4
3	GB97.1-85/12	Plain washer 12		24
4	GB889-86-M12	Locking nut M12		16
5	24PMF.02.011	Supporting shaft tor flywheel		1
6	GB5786-86/M14X1.5X50	Bolt M14x1.5x50		4
7	GB93-87-14	Spring lock washer 14		12
8	GB97.1-85/14	Plain washer 14		12
9	24PMF.02.138	Bearing Z-209		2
10	GB5783-86/M8x50	Bolt M8x50		6
11	GB93-87-8	Spring lock washer 8		6
12	24PMF.02.105	Small belt pulley hub		1
13	24PMF.02.104	Small belt pulley		1
14	GB1171-74	Belt		1
15	24PMF.02.016	Bearing seat shim		1
16	24PMF.02.017	Bearing seat shim		1
17	24PMF.02.101A	Drive shaft		1
18	24PMF.02.139	Bearing Z-207		2
19	GB5786-86/M14X1.5X30	Bolt M14x1.5x30		4
20	GB5783-86/M10x50	Bolt M10x50		6
21	GB93-87-10	Spring lock washer 10		14
22	24PMF.02.102	Big belt pulley hub		1
23	24PMF.02.103	Big belt pulley		1
24	GB1096-79/A10X50	Key C10x50		1
25	24PMF.02.013	Protective cover tor belt pulley		1

Pos	Code	Description	NOTE	Q.
26	GB5783-86/M10x30	Bolt M10X30		2
27	GB96-85-10	Plain washer 10		4
28	GB889-86-M10	Locking nut M10		2
29	GB5783-86/M6x12	Bolt m6x12		2
30	GB93-87-6	Spring lock washer 6		4
31	GB97.1-85/6	Plain washer 6		4
32	24PMF.02.118	Cover board		1
33	24PMF.02.112	Front supporting board		1
34	24PMF.02.110	Left supporting board		1
35	GB5783-86/M12x30	Bolt M12x30		8
36	24PMF.02.109	Right supporting board		1
37	24PMF.02.111	Rear supporting board		1
38	24PMF.02.113	Lifting board		2
39	GB96-85-12	Plain washer 12		4
40	GB5783-86/M12x40	Bolt M12x40		4
41	24PMF.01.017	Connecting plate		1
42	GB6170-86-M10	Nut M10		8
43	GS97.1-85/10	Plain washer 10		8
44	24PMF.02.106	Flywheel		1
45	24PMF.02.107	Chipper bed blade (JF)		2
46	GB5783-86/M10x35	Bolt M10X35		8



Pos	Code	Description	NOTE	Q.
1	24PMF.01.014	Protective cover weldment		1
2	24PMF.01.012	Discharge pipe		1
3	24PMF.01.013	Tightening handle		1
4	24PMF.01.015	Little arround plate		1
5	GB97.1-85/8	Plain washer 8		4
6	GB93-87-8	Spring lock washer 8		4
7	GB5783-86/M8x16	Bolt M8X16		4
8	24PMF.01.016	Protective cover weldment		1
9	GB889-86-M10	Locking nut M10		17
10	24PMF.01.101	Chipper biade		1
11	ISO-10642	Screw M10x35		3
12	GB5783-86/M10x30	Bolt M10X30		4
13	GB7810-87-L204	Bearing L204		2
14	GB97.1-85/10	Plain washer 10		14
15	24PMF.01.019	Roller weldment		1
16	24PMF.01.011	Supporting plate weldment		1
17	24PMF.01.132	Pin shaft		2
18	24PMF.01.131	Connecting plate		2
19	24PMF.01.024	Brake handle		1
20	24PMF.01.026	Baffle board		1
21	24PMF.01.018	Charging weldment		1
22	24PMF.01.117	Connecting plate		4
23	24PMF.01.102	Spring lug		2
24	GB5783-86/M10x35	Bolt M10X35		2
25	24PMF.01.103	Tension spring		2

Machine: ECO 17 2007

Assembly: ECO17Oldold_parte 3



Pos	Code	Description	NOTE	Q.
26	GB5783-86/M6x12	Bolt m6x12		2
27	GB93-87-6	Spring lock washer 6		2
28	GB97.1-85/6	Plain washer 6		2
29	24PMF.01.017	Connecting plate		1

KIT_Protezione



1



Machine: KIT_Protezione

Assembly: KIT_PROT



Pos	Code	Description	NOTE	Q.
1	ECO.00.01	KIT Protezione Cuffie		1