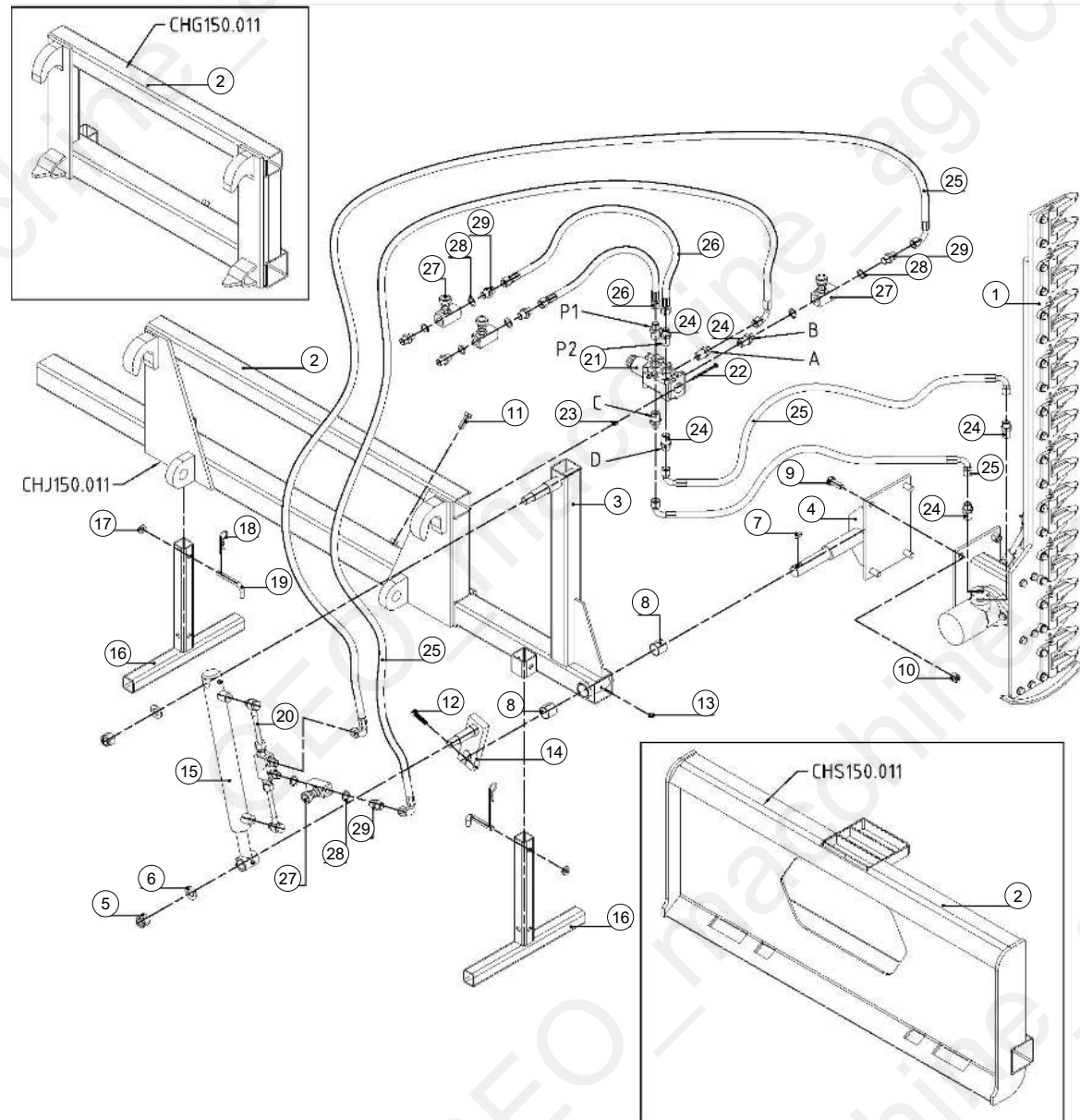


BJ



Table of Contents

Tavola	Page
BJ_parte 1	3
BJ_2019	6
AMD_parte 1	9



Machine: BJ

Assembly: BJ_parte 1



Pos	Code	Description	NOTE	Q.
2	CHJ150.011	Hanging Weldment(EURO Hitch)		1
3	CHJ150.012	Beam Weldment		1
4	CHJ150.013	Rotation Seat Weldment		1
5	GB/T889.1-2000-20	Lock Nut M20		2
6	GB/T97.1-1987	Plain Washer 20		2
7	GB/T1096-1979-8x22	Key A 8x22		1
8	CHJ150.102	Bearing 30*34*30		2
9	GB/T5783-2000-M14x35	Bolt M14*35		4
10	GB/T889.1-2000-14	Locking nut M14		4
11	GB/T5783-2000-M12x35	Bolt M12x35		2
12	GB/T70.1-2000-M10x40	Soket head cap screw M10x40		1
13	JB/T7940.1-1995-M8	Oil Cup M8		1
14	CHJ150.014	Swing Arm Weldment		1
15	CHJ150.015	Cylinder		1
16	CHJ150.016	Support Leg		2
17	GB/T97.1-1987	Plain Washer 20		2
18	EFGC125.110	R Pin 3.2		2
19	1G135.00.107	Plug Pin		2
20	BJ.01.020	Safety Valve		1
21	DV26.001	Solenoid Valve		1
22	GB/T5783-2000-M8x80	Bolt M8x80		2
23	GB/T889.1-2000-8	Locking nut M8		2
24	CP5.60.104	Adapter R1/2-M18*1.5		8
25	CHJ150.017	Oil Hoses		4
26	CHJ150.018	In-out oil hose		2

GEO Italy S.R.L.

Via G. Abbate, 215, 14054 Castagnole delle Lanze AT

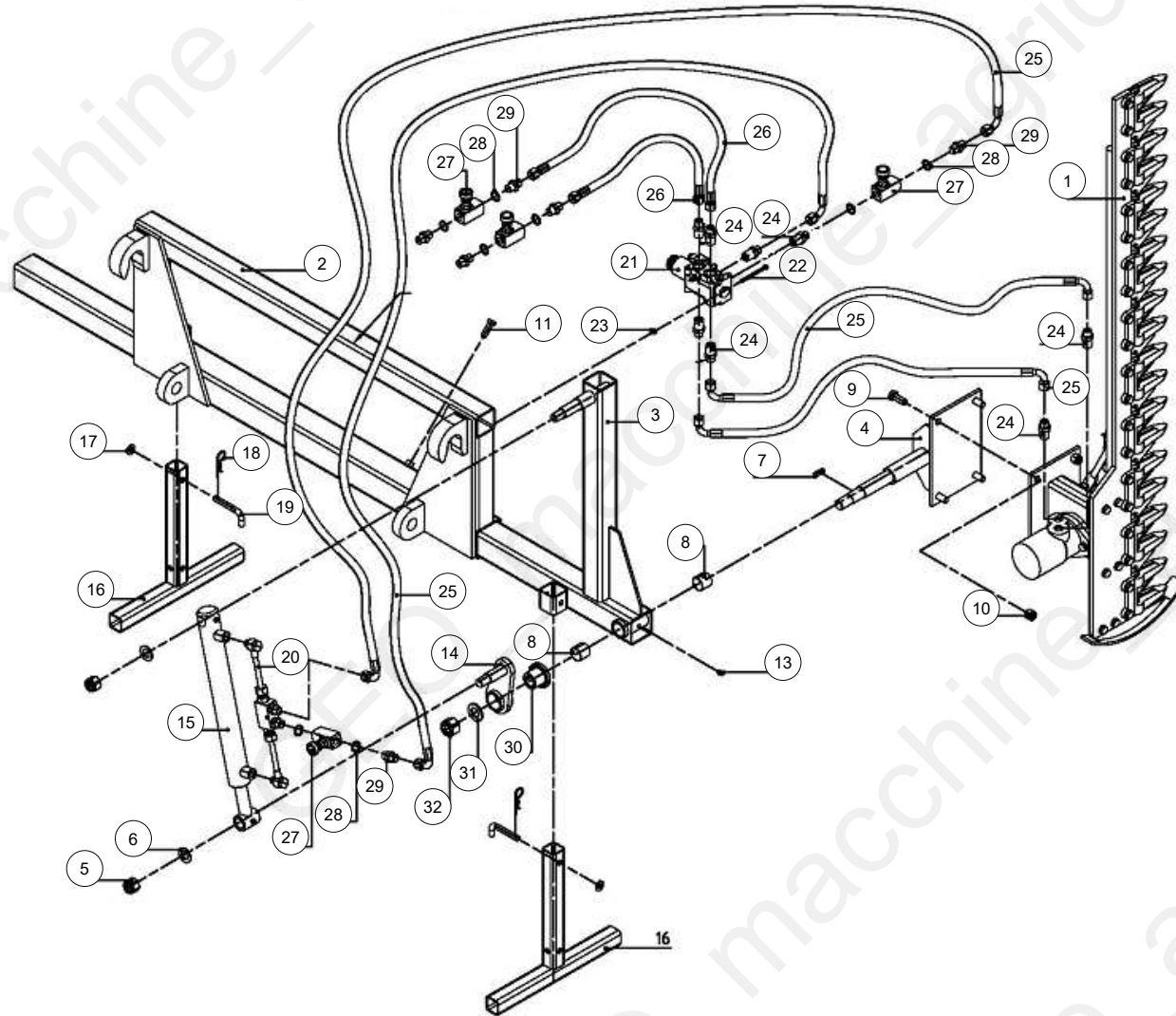
Page 4

Machine: BJ

Assembly: BJ_parte 1



Pos	Code	Description	NOTE	Q.
27	LA-H10L	One- way throttle valve 40L		4
28	BJ.01.028	Washer 18		8
29	BJ.01.029	Adapter 18-18		6



Machine: BJ

Assembly: BJ_2019



Pos	Code	Description	NOTE	Q.
2	CHJ150.011	Hanging Weldment(EURO Hitch)		1
3	CHJ150.012	Beam Weldment		1
4	CHJ150.013	Rotation Seat Weldment		1
5	GB/T889.1-2000-M20	Lock Nut M20		1
6	GB/T97.1-1987	Plain Washer 20		1
7	GB/T1096-1979	Key A 8x22		1
8	CHJ150.102	Bearing 30*34*30		1
9	GB/T5783-2000-M14	Bolt M14*35		1
10	GB/T889.1-2000-M14	Lock Nut M14		1
11	GB/T5783-2000-M12	Bolt M12*35		1
13	JB/T7940.1-1995-M8	Oil Cup M8		1
14	CHJ150.014	Swing Arm Weldment		1
15	CHJ150.015	Cylinder		1
16	CHJ150.016	Support Leg		1
17	GB/T97.1-1987-M12	Plain Washer 12		1
18	RPIN.3.2	R Pin 3.2		1
19	1G135.00.107	Plug Pin		1
20	BJ.01.020	Safety Valve		1
21	DV26.001	Solenoid Valve		1
22	GB/T5783-2000-M8	Bolt M8x80		1
23	GB/T889.1-2000-M8	Lock Nut M8		1
24	CP5.60.104	Adapter R1/2-M18*1.5		1
25	CHJ150.017	Oil Hoses		1
26	CHJ150.018	In-out oil hose		1
27	LA-H10L	One- way throttle valve 40L		1

GEO Italy S.R.L.

Via G. Abbate, 215, 14054 Castagnole delle Lanze AT

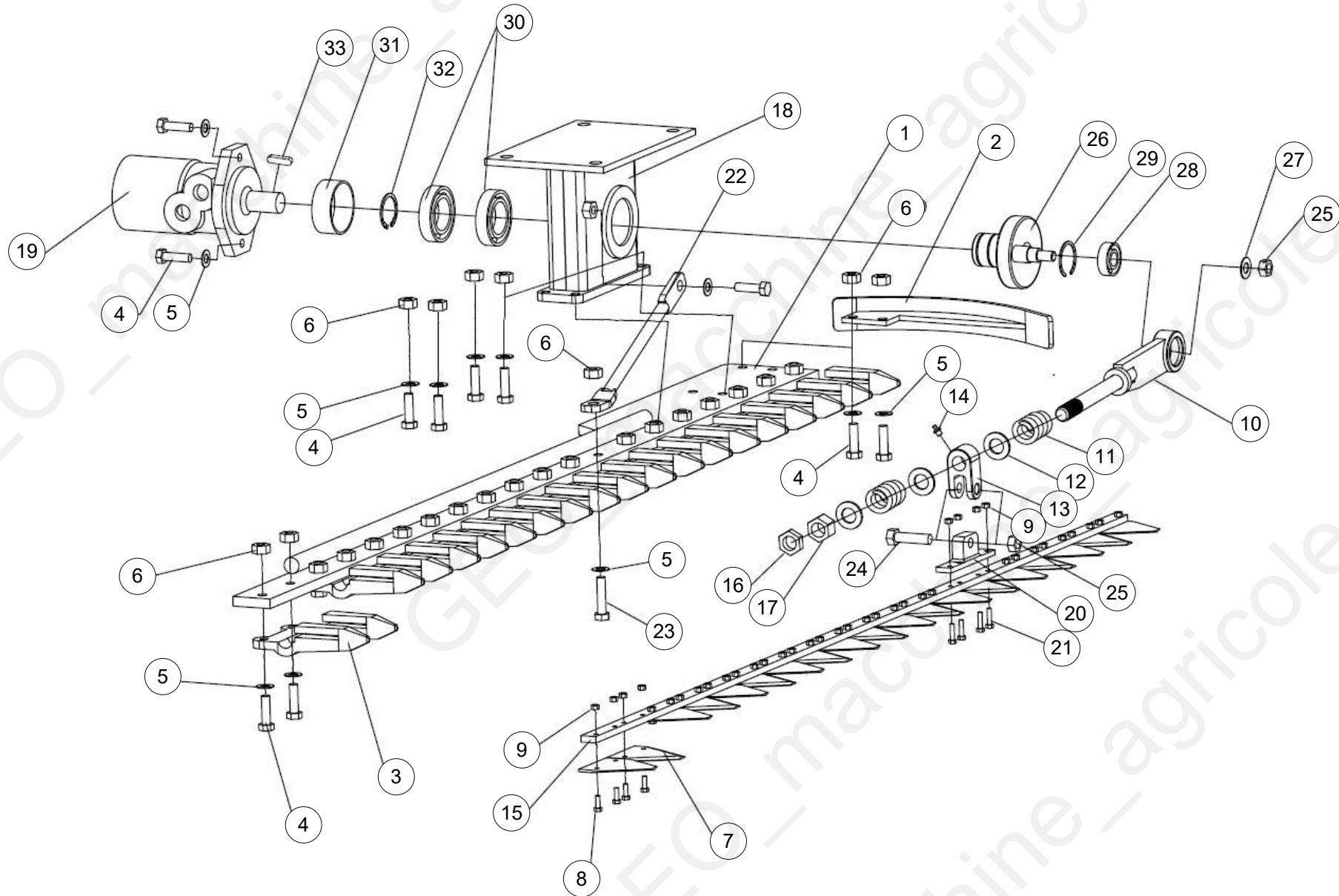
Page 7

Machine: BJ

Assembly: BJ_2019



Pos	Code	Description	NOTE	Q.
28	BJ.01.028	Washer 18		1
29	BJ.01.029	Adapter 18-18		1
30	CHJ150.019	Gear bush weldment		1
31	GB/T97.1-2002-M24	Plain Washer 24		1
32	GB/T889.1-2000-M24	Lock nut M24		1



Pos	Code	Description	NOTE	Q.
1	CH120.011	Main frame 120		1
1	CH150.011	Main frame 150		1
1	CH180.011	Main frame 180		1
2	CH150.012	Skid		1
3	CH150.101	Knife protector		10
4	GB5783-86/M10x35	Bolt M10X35		28
5	GB97.1/10	Plain washer 10		29
6	GB/T889.1-10	Locking nut M10		26
7	CH150.102	Knife		0
8	GB5783-86/M5x15	Bolt M5X15		34
9	GB/T889.1-5	Locking nut M5		38
10	CH150.013	Connector		1
11	CH150.106	Spring		2
12	GB97.1/18	Plain Washer 18		3
13	CH150.104	Block		1
14	GB1152-89/M6	Grease nipple M6		1
15	CH120.105.15	Knife keeper 120 (15 KNIVES)		1
15	CH150.105.19	Knife keeper 150 (19 KNIVES)		1
15	CH180.105.23	Knife keeper 180 (23 KNIVES)		1
16	GB6172-86/M18	Thin nut M18		1
17	GB6170-86-M18	Nut M18		1
18	CH150.014	Bearing house		1
19	CH150.002	Hydraulic motor		1
20	CH150.103	Block		1
21	GB5783-86/M5x30	Bolt M5X30		8

Machine: BJ

Assembly: AMD_parte 1



Pos	Code	Description	NOTE	Q.
22	CH150.015	Supporter		1
23	GB5783-86/M10x45	Bolt M10X45		1
24	GB5783-86/M12x45	Bolt M12X45		1
25	GB/T889.1-12	Locking nut M12		2
26	CH150.016	Bent axle		1
27	GB97.1/12	Plain washer 12		1
28	GB/T276-1994-6203	Bearing 6203		1
29	GB893.1-86/40	Circlip 40		1
30	GB/T276-1994-6008	Bearing 6008		2
31	CH150.107	Space bush		1
32	GB894.1-86-40	Circlip 40		1
33	GB/T1096-2003-A8X7X32	Key 8X7X32		1