

Macchina

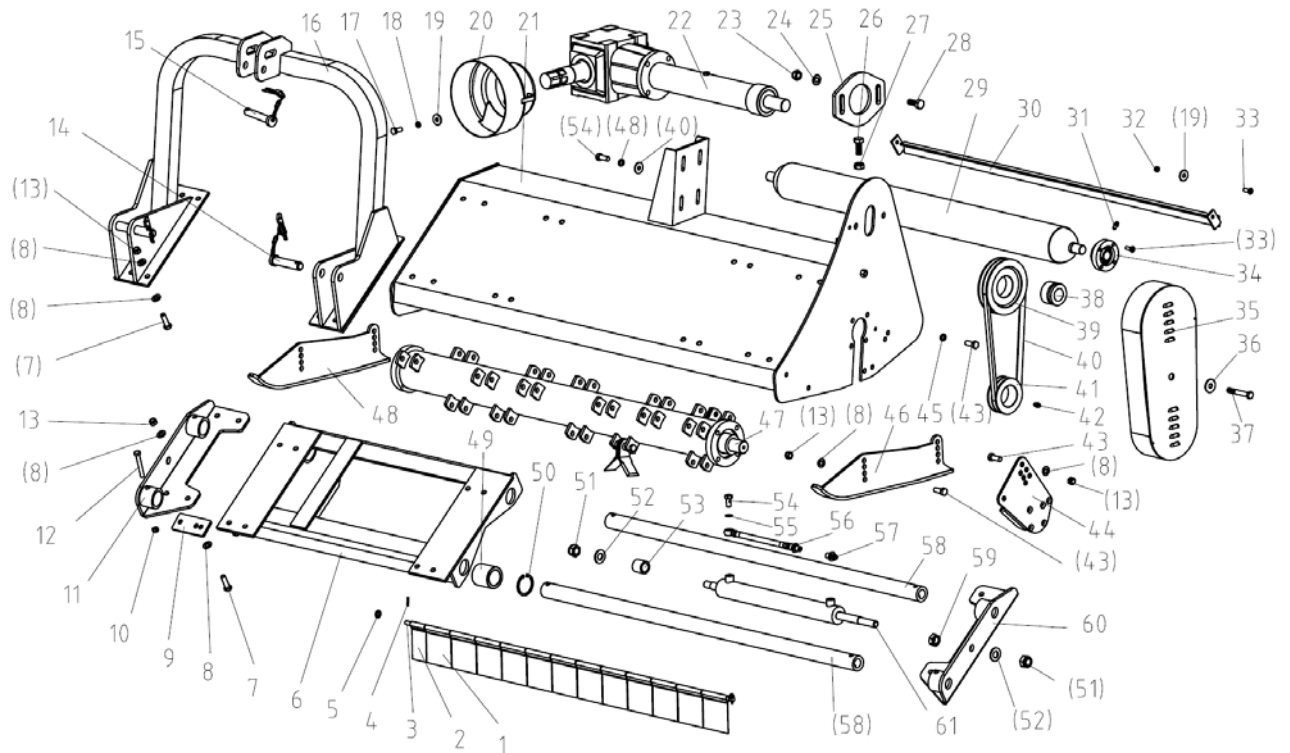
EFGC



Sezione

1

EFGC_part1

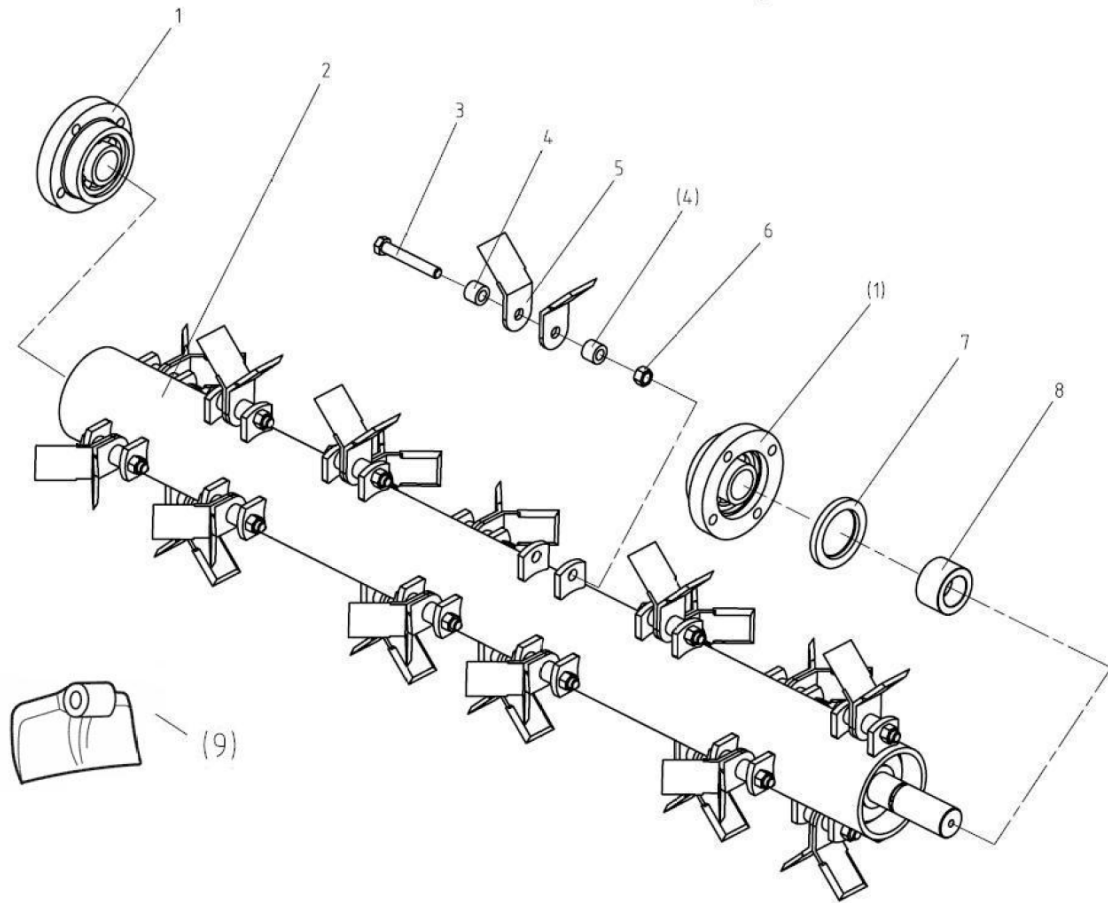


SerNo	PartNo	Description	Quantity
1	EF100.00.122	Fender	13
2	EF100.00.121	Fender	1
3	EF105.00.123	Shaft for fender	1
4	GB879-86	Elastic cylindrical pin 4x22	2
5	GB97.1-85	Plain washer 10	18
6	EFGCHM120.013	Slippage bracket	1
7	GB5783-86	Bolt M12X40	14
8	GB97.1-85	Plain washer 12	52
9	EFGCHM120.101	Splint	4

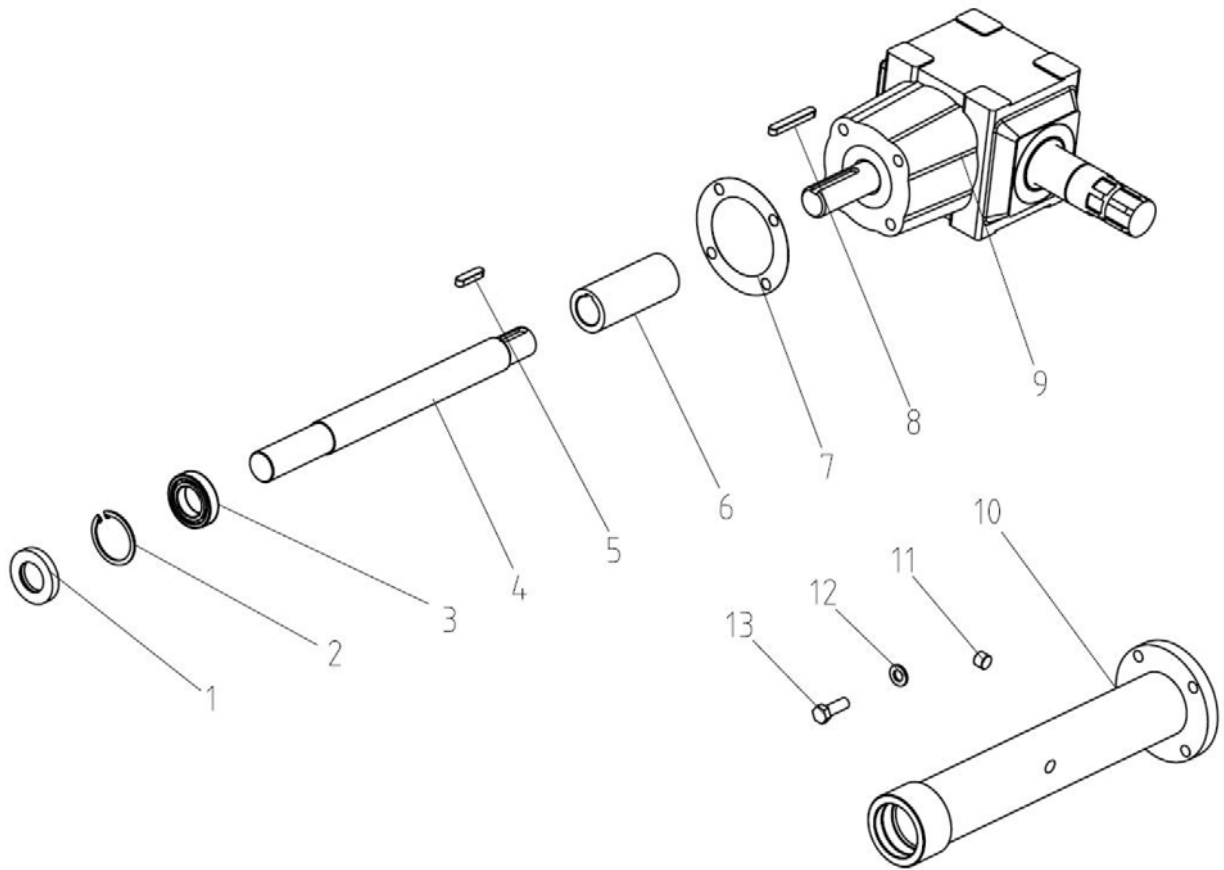
10	GB6184-86	Locking nut M10	4
11	EFGCHM120.015	Connecting bracket (L)	1
12	GB5783-86	Bolt M10X70	4
13	GB6184-86	Locking nut M12	50
14	RKN120.018	Low Pin	2
15	EF100.00.019	Up Pin	1
16	EFGCHM120.014	Hanging weldment	1
17	GB5783-86	Bolt M10X25	4
18	GB93-87	Spring washer 10	4
19	GB96-85	Plain washer 10	4
20	EF100.00.112	Guard shade	1
21	EFGCHM120.011	The cover weldment	1
22	EFGC120.015	Gear box assembly	1
23	GB6184-86	Locking nut M14	2
24	GB97.1-85	Plain washer 14	2
25	EFGC120.102	Tension plate	1
26	GB5786-86	Bolt M16X1.5X50	1
27	GB6173-86	Nut M16x1.5	1
28	GB5783-86	Bolt M14X35	2
29,1	EFG120.012.105	Roller weldment 105	1
29,2	EFG120.012.125	Roller weldment 125	1
29,3	EFG120.012.145	Roller weldment 145	1
29,4	EFG120.012.155	Roller weldment 155	1
29,5	EFG120.012.165	Roller weldment 165	1
29,6	EFG120.012.175	Roller weldment 175	1
30,1	EFG105.00.024	Mud shield 105	1
30,2	EFG125.00.024	Mud shield 125	1
30,3	EFG145.00.024	Mud shield 145	1
30,4	EFG155.00.024	Mud shield 155	1
30,5	EFG165.00.024	Mud shield 165	1
30,6	EFG175.00.024	Mud shield 175	1
31	GB1152-89	Oil cup M6	2
32	GB6184-86	Locking nut M8	2
33	GB2673-86	Hex.head bolt M8X25	10
34	EF100.00.012	Bearing with flange UC205	2
35	EFGC120.016	Belt cover	1
36	GB96-85	Plain washer 12	5
37	GB5782-86	Bolt M12X80	21
38	JB/T7934Z3	Swellable sleeve	2

39	EFG120.106	Big belt ptley	1
40	GB/T1154-97	Strap B991	2
41	EFG120.105	Small belt ptley	1
42	GB1152-89	Oil cup M8X1	2
43	GB5783-86	Bolt M12X30	16
44,1	EFG120.101	Supporting for roller (R)	1
44,2	EFG120.102	Supporting for roller (L)	1
45	GB93-87	Spring washer 12	12
46	EFGC120.014	Base plate (R)	1
47,1	EFGC120.014.105	Blade axle subassembly 105	1
47,2	EFGC120.014.125	Blade axle subassembly 125	1
47,3	EFGC120.014.145	Blade axle subassembly 145	1
47,4	EFGC120.014.155	Blade axle subassembly 155	1
47,5	EFGC120.014.165	Blade axle subassembly 165	1
47,6	EFGC120.014.175	Blade axle subassembly 175	1
48	EFGC120.013	Base plate (L)	1
49	EFGCH120.103	Nylon bush	4
50	GB893.1-86	Circlip 60	4
51	GB6184-86	Locking nut M18X1.5	2
52	GB97.1-85	Plain washer 18	2
53	EFGCH120.101	Sleeve	1
54	GB3451-83	Bolt M12X1.25	2
55	GB3451-86	Washer 12	4
56	EFGCH120.011	Oil pipe	2
57		Quick connector R1/2"	2
58	EFGCH120.104	Guide rail	2
59	GB6173-86	Nut M18X1.5	1
60	EFGCHM120.012	Connecting bracket (R)	1
61	EFGCH120.012	Slippage cylinder	1

EFGC_part2



SerNo	PartNo	Description	Quantity
1	UC207-Z	Bearing with flange 90207	2
2,1	EFG120.013.105	Blade axle weldment 105	1
2,2	EFG120.013.125	Blade axle weldment 125	1
2,3	EFG120.013.145	Blade axle weldment 145	1
2,4	EFG120.013.155	Blade axle weldment 155	1
2,5	EFG120.013.165	Blade axle weldment 165	1
2,6	EFG120.013.175	Blade axle weldment 175	1
3	GB5782-86	Bolt M12x80	
4	EF100.00.101	Sleeve	
5	EFGC 100.00.102	Couple Blade Ø16mm	
6	GB6184-86	Locking nut M12	
7	GB13871-94	Oil seal FB55X80X8	1
8	RK120.109	Oil-sealing sleeve	1
9	EFGC 100.00.107	Hammer Ø16mm	



SerNo	PartNo	Description	Quantity
1	GB13871-94	Oil seal B 35×72×10	1
2	GB893.1-86	Blocked patch 72	1
3	GB/T276-94	Bearing 6207	1
4,1	EFGC120.133.1	Shaft 105	1
4,2	EFGC120.133.2	Shaft 125	1
4,3	EFGC120.133.3	Shaft 145-165	1
4,4	EFGC120.133.4	Shaft 155-175	1
5	GB1096-79	Key A10X40	1
6	EFGC120.132	Connected sleeve	1
7	EFGC120.131	Paper gasket	1
8	GB1096-79	Key A10X70	1
9	XH50.300Z.01	Gearbox	1
10,1	EFGC120.018.1	Shaft tube weldment 105	1
10,2	EFGC120.018.2	Shaft tube weldment 125	1
10,3	EFGC120.018.3	Shaft tube weldment 145-155	1
10,4	EFGC120.018.4	Shaft tube weldment 165-175	1
11	ZBT 32001.3-87	Retainer ZG3/8"-19	2
12	GB93-87	Plain washer 12	4
13	GB5783-86	Hex. head bolt M12X35	4