

Macchina

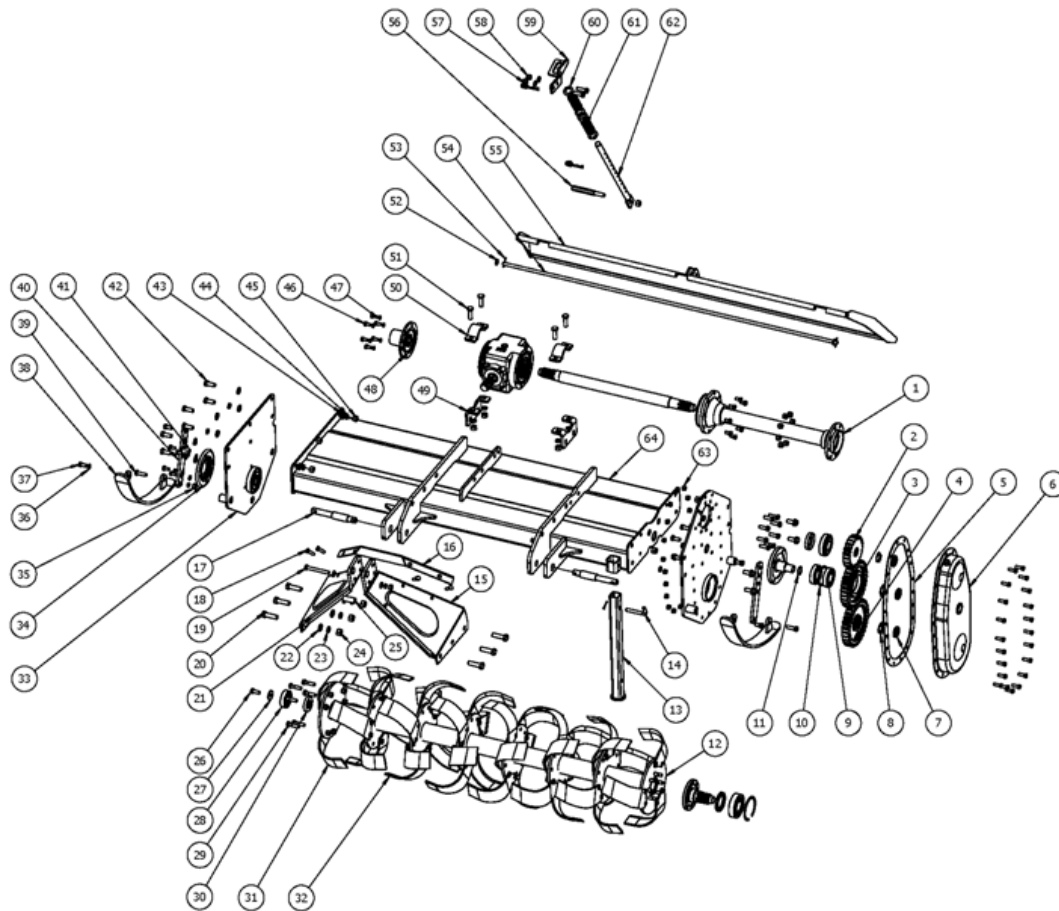
IGN



Sezione

1

IGN\_part1



SerNo	PartNo	Description	Quantity
-------	--------	-------------	----------

1	1G-125.01.014		1
2	1G150.04-03	Up Gear	1
3	1G150.04-02-1	Middle Gear	1
4	1G150.04-01	Low Gear	1
5	1G-150.01.102	Gasket	1
6	1G-150.01.012-1	Cover Gears	1
7	1G-150.01.131	Nut	3
8	GB858-30		3
9	GB276-6208	bearing 6208	2

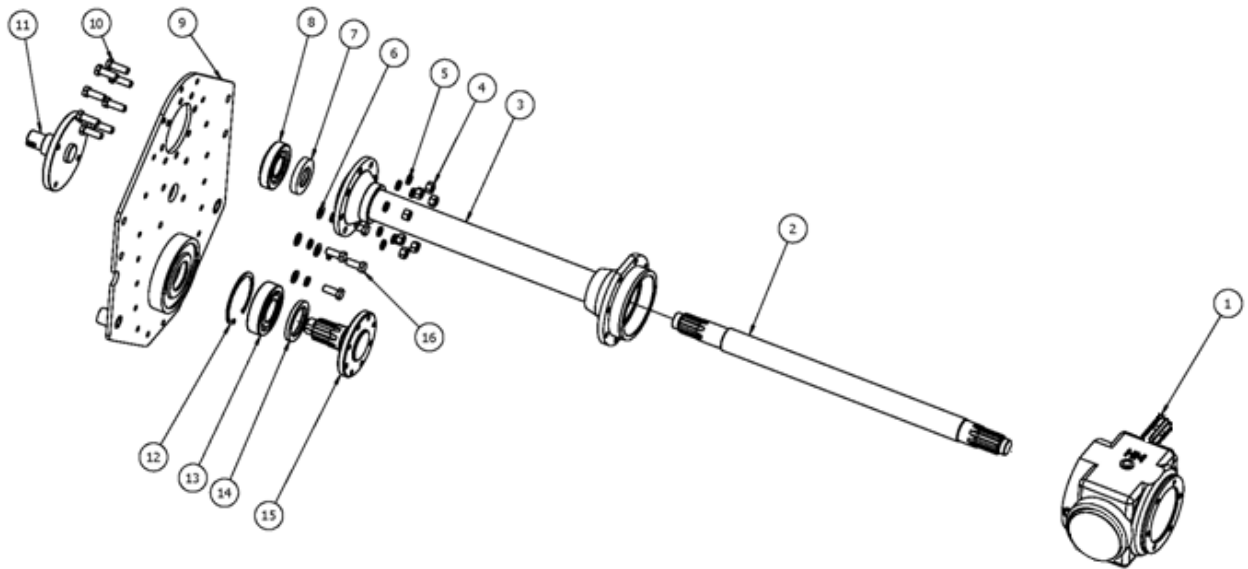
10	GB893.1-80	circlip 80	1
11	GB3452.1-G-28X3.55		1
12,1	1G-125.00.011-2	Complete Blade Axle 125	1
12,2	1G-150.00.011-2	Complete Blade Axle 150	1
12,3	1G-180.00.011-2	Complete Blade Axle 180	1
13	1G-150.00.018		1
14	ZL-25.103	Right-angle pin	1
15	1G-150.00.016.L	Three point (L)	1
16	1G-150.00.106	Three point Link	1
17	FTL.125.124A	PIN	2
18	GB5783-M10X30	Bolt M10X30	25
19	GB5782-M12X100	Bolt M12X100	1
20	GB5782-M16X55	Bolt M16X55	6
21	1G-150.00.016.R	Three point ( R)	1
22	GB97.1-16	washer 16	6
23	GB93-16	washer 16	6
24	GB6170-M16	Nut M16	6
25	MZ105.130		1
26	GB5783-M12X30	Bolt M12x30	9
27	MZ105.115		1
28	GB276-6306	Bearing 6306	1
29	GB5785-M12X1.25X35	Bolt M12X1.25X35	12
30	GB13871-FB-35X62X12	Oil Seal 35X62X12	1
31	1G-150.00.103	Left blade	21
32	1G-150.00.102	Right blade	21
33	1G-150.00.014		1
34	1G-150.00.104		1
35	GB6170-M12	Nut M12	15
36	GB93-12	washer 12	27
37	GB5783-M12X25	Bolt M12X25	4
38	1G-150.00.013	Skid	2
39	GB5783-M12X40	Bolt M12X40	4
40	1G-150.00.101	Supporting SKID	2
41	GB97.1-10	washer 10	4
42	GB5783-M14X35	Bolt M14X35	10
43	GB97.1-14	washer 14	12
44	GB93-14	washer 14	13
45	GB6170-M14	Nut M14	9
46	GB5783-M10X20	Bolt M10X20	18

47	GB93-10	washer 10	42
48	1G-150.01.136		1
49	1G-150.00.130A		2
50	1G-150.00.109A		2
51	GB5783-M14X45	Bolt M14X45	4
52	GB97.1-12	washer 12	6
53	GB91-3X28		3
54	1G-150.00.105		1
55,1	1G-125-012-2		1
55,2	1G-150-012-2		1
55,3	1G-180-012-2		1
56	1G-150.00.147		1
57	ZL-25.104		2
58	DIN985-M12	Nut M12	2
59	1G-150.00.145		1
60	GB97.1-22		4
61	1G-150.00.149A	Spring	2
62	1G-150.00.148		1
63	GB6170-M10	Nut M10	24
64	1G-150.00.015	Main Deck	1

Sezione

2

IGN\_partz

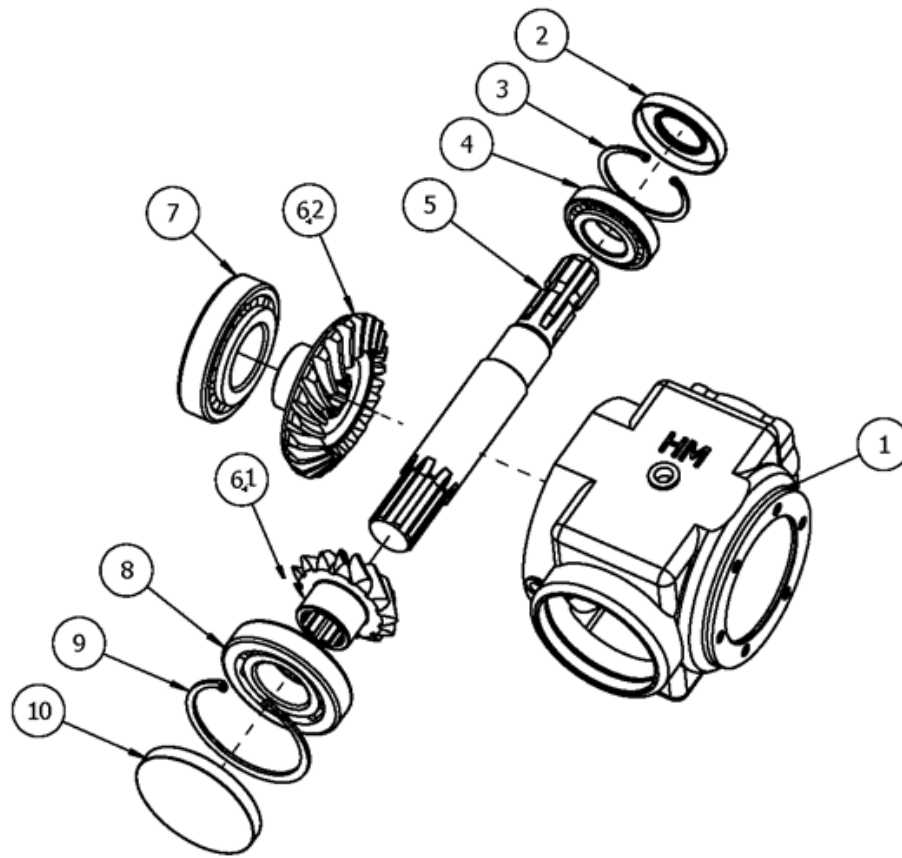


SerNo	PartNo	Description	Quantity
1	1G-150.01.118	Complete Gearbox	1
2,1	1G-125.01.109	Main Shaft 125	1
2,2	1G-150.01.109	Main Shaft 150	1
2,3	1G-180.01.109	Main Shaft 180	1
3,1	1G-125.01.013A	Cover Trasmission 125	1
3,2	1G-150.01.013A	Cover Trasmission 150	1
3,3	1G-180.01.013A	Cover Trasmission 180	1
4	GB6170-M12	Nut M12	8
5	GB93-12	washer 12	12
6	GB97.1-12	washer 12	4
7	CFW-40X70X12	Oil Seal 40X70X12	1
8	GB297-30308	Bearing 30308	1
9	1G-150.01.011		1
10	GB5783-M12X35	Bolt M12X35	8
11	1G-150.01.106-2	Idle Gear	1
12	GB893.1-100	Circlip 100	1
13	GB276-6309	Bearing 6309	1
14	GB13871-FB-55X80X8	Oil Seal 55X80X8	1
15	1G-150.01.104	Connection Blade Axle	1

## Sezione

3

IGN\_part3



SerNo	PartNo	Description	Quantity
1	1G-150.01.118	Gearbox Case	1
2	CFW-40X80X12	Oil Seal 40X80X12	1
3	GB893.1-80	Circlip 80	1
4	GB297-30208	Bearing 30208	1
5	1G-150.01.117-1	Shaft	1
6,1	1GN180.00.146	Small Bevel Gear	1
6,2	1GN180.00.141	Big Bevel Gear	1
7	GB297-30311	Bearing 30311	1
8	GB297-30310	Bearing 30310	1
9	GB893.1-110	Circlip 110	1
10	NFG-RCA-110X12	Oil Cup Seal	1