

Macchina

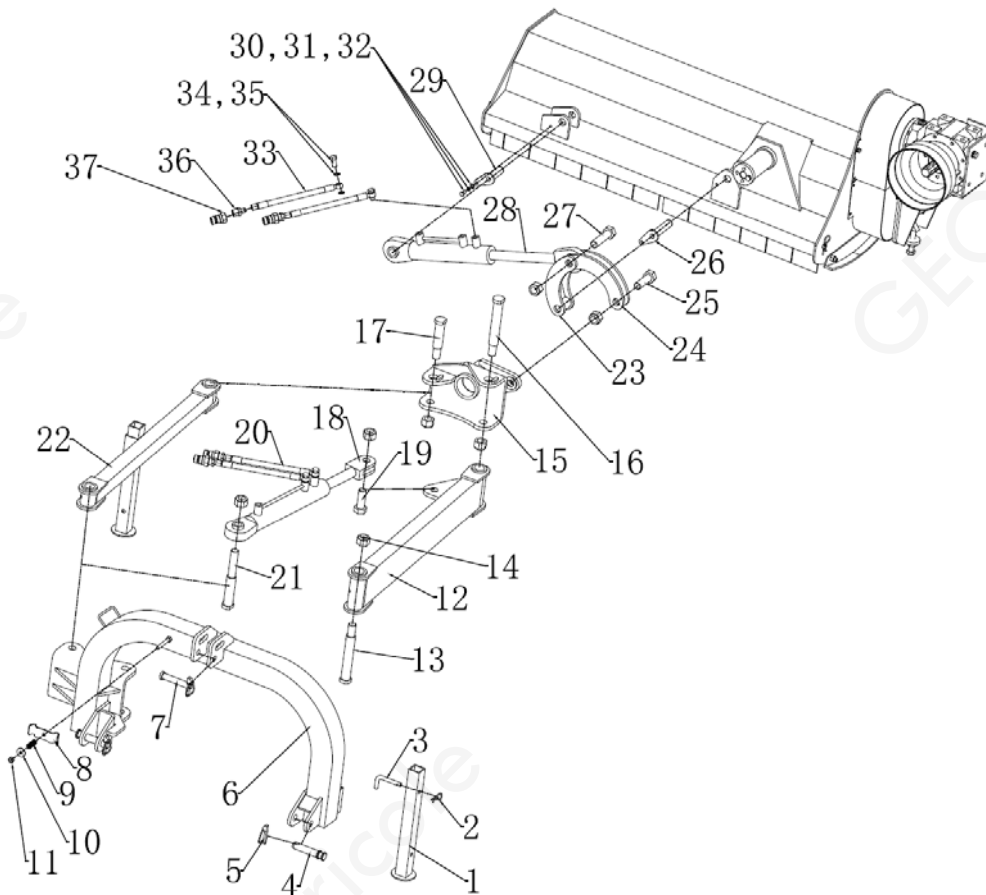
AGE



Sezione

1

AGE_part1



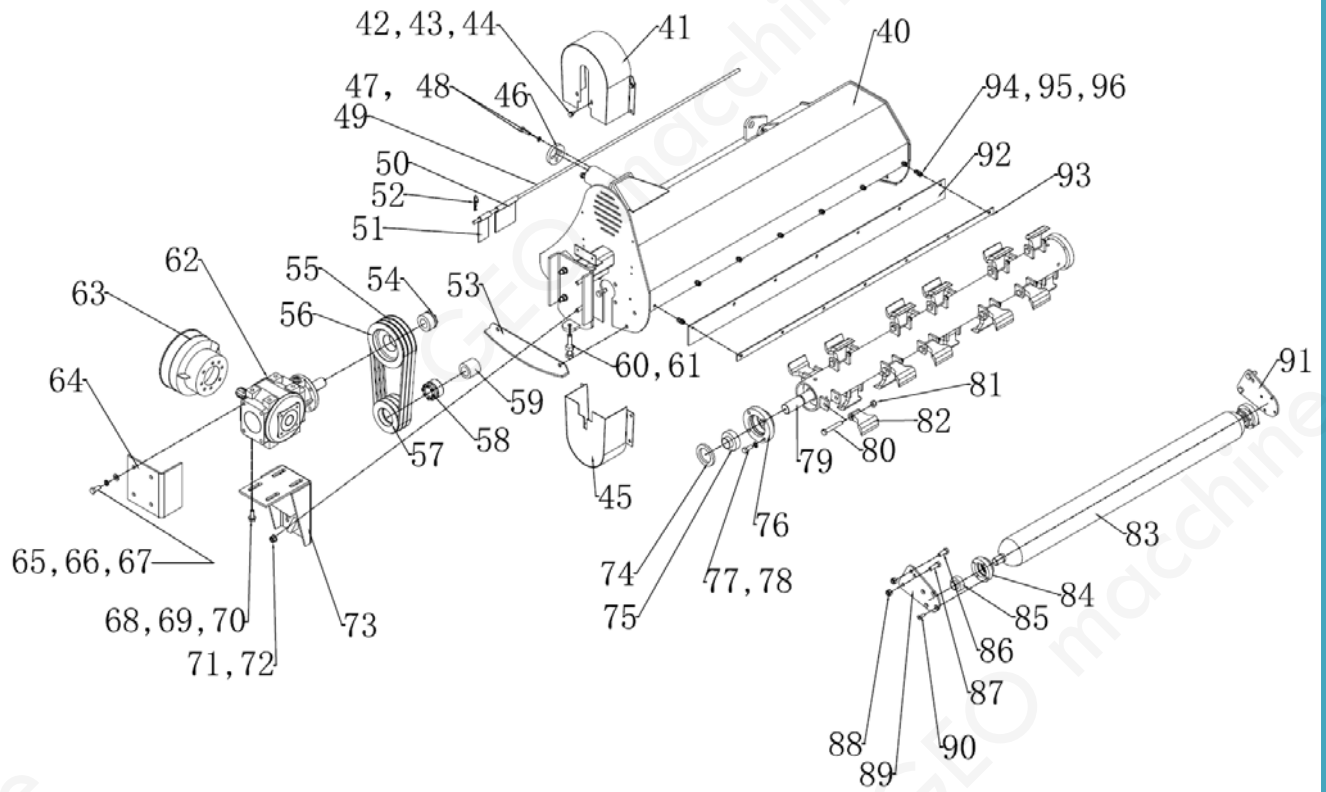
SerNo	PartNo	Description	Quantity
1	AGL125.011	Supporting Leg	2
2	RP-3.2	R Pin 3.2	2
3	AGL125.125	Pin for supporting leg	2
4	DM120.107	Pin	2
5	LP-12	Lock Pin 12	3
6	AGE125.011	Three Point Hitch Weldment	1
7	AGL125.110	Top Pin	1
8	AGE125.101	Clip For Oil Hose	1
9	AGE125.102	Spring	1

10	GB96-10	Washer 10	1
11	GB889.1-M10	Lock Nut M10	1
12	AGL125.013	Connection Weldment	1
13	AGL125.102	Axle 160	1
14	GB889.1-M24	Lock Nut M24	7
15	AGL125.023	Swing Weldment	1
16	AGL125.102	Axle 160	1
17	AGL125.112	Axle	1
18	AGL125.041	Moving Cylinder	1
19	GB5782-M24X65	Bolt M24x65	1
20	AGL125.043	Oil Hose For Moving Cylinder	2
21	AGL125.111	Axle	1
22	AGL125.020	Connection Bar Weldment	1
23	AGL125.022	Link Plate Weldment	1
24	AGL125.116	Turn Link Plate	2
25	GB5782-M24X75	Bolt M24x75	1
26	AGL125.115	Pin	1
27	GB5782-M24X95	Bolt M24x95	1
28	AGL125.040	Twirl Cylinder	1
29	AGL125.114	Pin	1
30	GB5783-M8x20	Bolt M8x20	2
31	GB93-8	Spring Wahser 8	2
32	GB97.1-8	Washer 8	2
33	AGL125.044	Oil Hose For Twirl Cylinder	2
34	AGL125.104	Hydraulic Bolt	4
35	AGL125.105	Cu Washer 14.2x 19x1.5	8
36	AGL125.103	Straight Connector	4
37	QC-R1/2-M	Quick Connector R1/2	4

Sezione

2

AGE_partz



SerNo	PartNo	Description	Quantity
-------	--------	-------------	----------

40	AGE125.012	Cover Weldment	1
41	AGE125.013	Upper Belt Cover	1
42	GB5783-M8x16	Bolt M8x16	10
43	GB93-8	Spring Wahser 8	10
44	GB97.1-8	Washer 8	10
45	AGE125.014	Lower Belt Cover	1
46	AGL125.122	Fixed Plate	1
47	GB5783-M10x30	Bolt M10x30	4
48	GB93-10	Spring Wahser 10	4
49	AGL125.108	Stick	1
50	AGL125.123	Fender	12
51	AGL125.127	Narrow Fender	1
52	RP-3.2	R Pin 3.2	2
53	AGL125.015	Skid	2
54	Z3-33X65	Ringfeder Z3-33X65	1
55	GB/T1154-97	V Belt 991	3
56	AGL125.117	Big Pulley	1
57	AGL125.120	Small Pulley	1
58	Z3-35X60	Ringfeder Z3-35X60	1

59	AGL125.119	Sleeve	1
60	GB5783-M16x80	Bolt M16x80	1
61	GB6170-M16	Nut M16	1
62	XH50.300Z.02	Gearbox Assembly	1
63	AGL125.130	PTO Shaft Protection Cover	1
64	AGE125.103	Side Gearbox Protection Weldment	1
65	GB5783-M12x30	Bolt M12x30	4
66	GB93-12	Spring Washer 12	4
67	GB97.1-12	Washer 12	4
68	GB5783-M12x35	Bolt M12x35	4
69	GB93-12	Spring Washer 12	4
70	GB97.1-12	Washer 12	4
71	GB889.1-M12	Lock Nut M12	4
72	GB97.1-12	Washer 12	4
73	AGF140.026	Adjusting Frame For the Gearbox	1
74	GB13871-94	Oil Seal FB55x80x8	1
75	UC207	Bearing UC207	2
76	AGL125.118	Bearing Seat	2
77	GB5783-M12x30	Bolt M12x30	8
78	GB93-12	Spring Washer 12	8
79,1	AGL125.024	Blade Axle 125	1
79,2	AGL145.024	Blade Axle 145	1
79,3	AGL165.024	Blade Axle 165	1
80	GB5782-M12x80	Bolt M12x80	20
81	GB889.1-M12	Lock Nut M12	20
82	EF 100.00.107	Blade	20
83,1	AGL125.016	Roller Weldment 125	1
83,2	AGL145.016	Roller Weldment 145	1
83,3	AGL165.016	Roller Weldment 165	1
84	AGL125.113	Bearing Seat	2
85	UC205	Bearing UC205	2
86	GB5783-M12x30	Bolt M12x30	4
87	GB5783-M12x35	Bolt M12x35	2
88	GB889.1-M12	Lock Nut M12	6
89	AGL125.106	Roller Plate - Left	1
90	GB2673-M8X25	Flat Headed Screw M8x25	8
91	AGL125.107	Roller Plate - Right	1
92,1	AGE125.104	Rubber Guard Plate 125	1
92,2	AGE145.104	Rubber Guard Plate 145	1

92,3	AGE165.104	Rubber Guard Plate 165	1
93	AGE125.105	Press Plate	1
94	GB5783-M8x25	Bolt M8x25	7
95	GB97.1-8	Washer 8	7
96	GB889.1-M8	Lock Nut M8	7
97	GB1152-M8x1	Grease Nipple M8x1	
98	GB1152-M6x1	Grease Nipple M6x2	