

Macchina

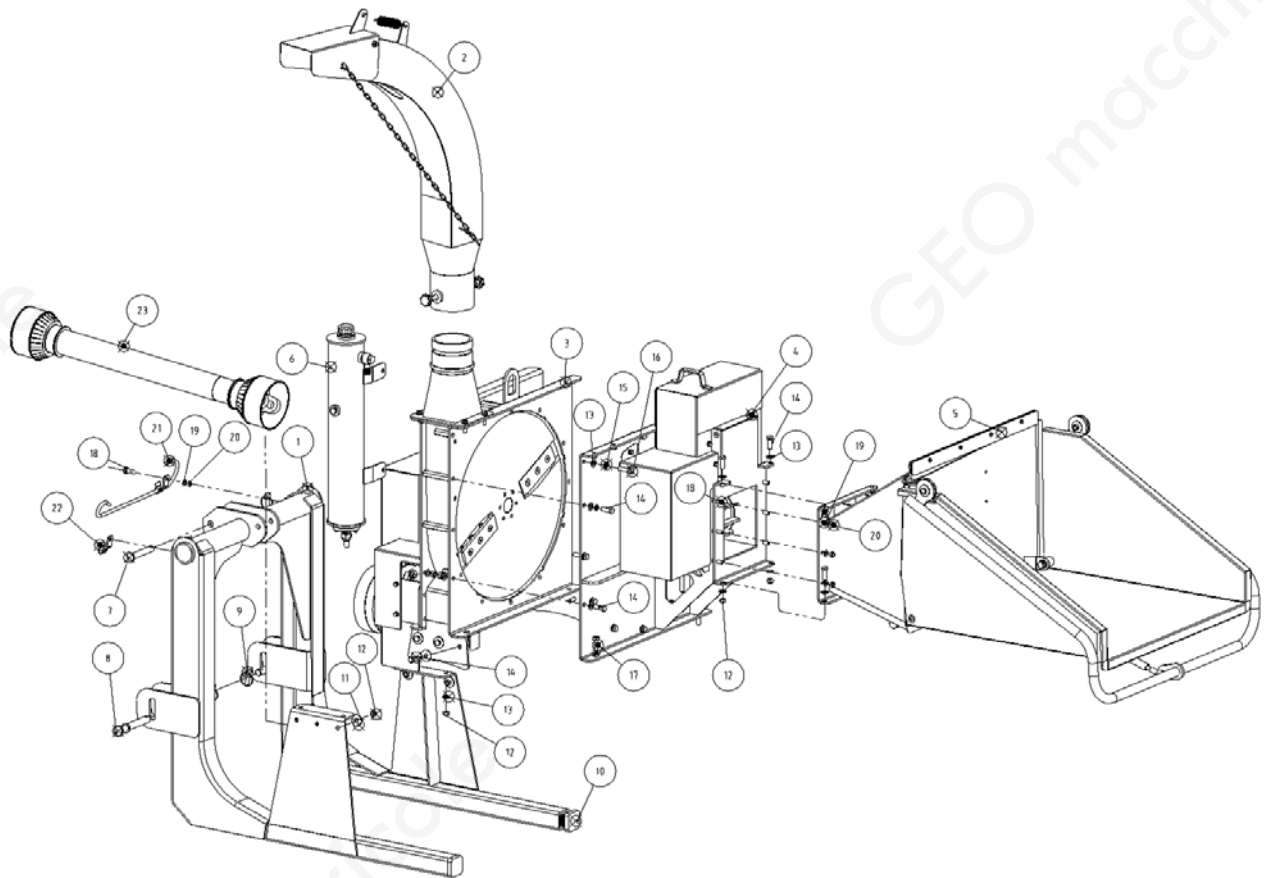
ECO30



Sezione

1

ECO30_part1



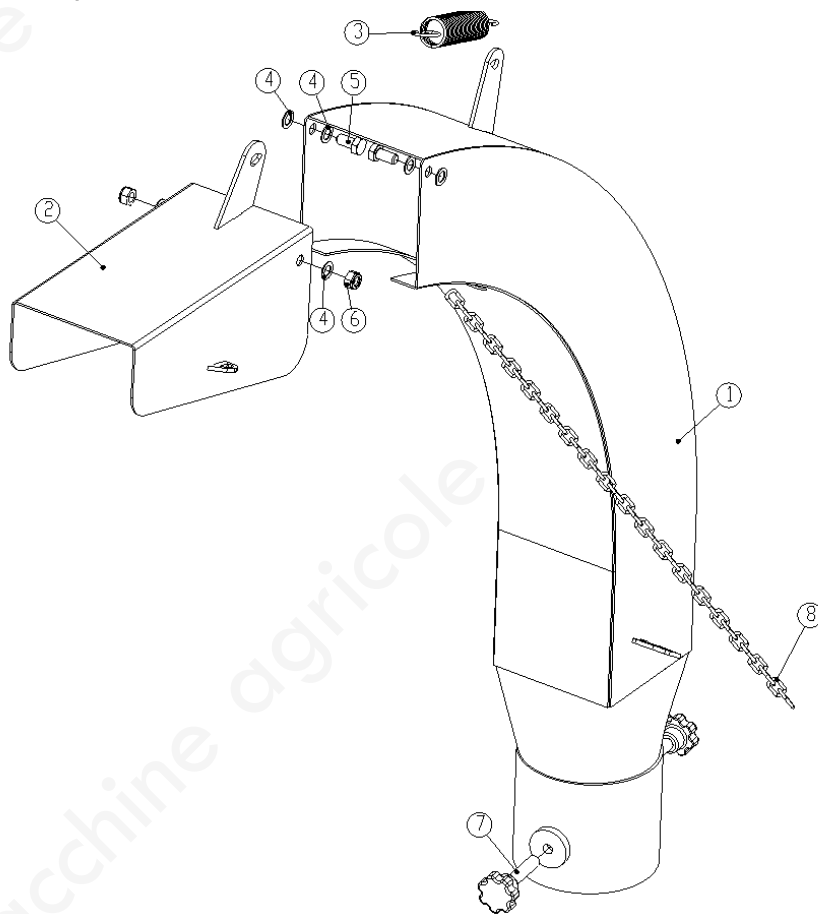
SerNo	PartNo	Description	Quantity
1	LWC130.012	Hitch weldment	1
2	LWC130.002	Discharge chute assembly	1
3	LWC130.003	Main frame assembly	1
4	LWC130.004	Feeding box assembly	1
5	LWC130.005	Hopper assembly	1
6	LWC130.006	Oil tank assembly	4
7	BX42S.109	Hitch pin - Upper	1
8	LG180.105	Hitch pin - Lower	2
9	Φ11*45	PTO pin	3

10	LWC130	Square pipe plug 50*50	2
11	GB/T96.2-2002	Large plain washer 12x3	12
12	GB/T889.1-2000	Locknut M12	14
13	GB/T95-2002	Plain washer 12x2.5	42
14	GBT5783.2000	Bolt M12*35	14
15	GBT93.1987	Spring washer 12	12
16	GBT5783.2000	Bolt M12*45	11
17	GBT5783.2000	Bolt M12*40	2
18	GBT5783.2000	Bolt M10*30	8
19	GB/T95-2002	Plain washer 10x2	14
20	GB/T889.1-2000	Locknut M10	8
21	BCRL200.126	PTO hook	1
22	LWC130.119	PTO hook holder	2
23	o5B-800 with safety bolt	PTO shaft	1

Sezione

2

ECO30_part2



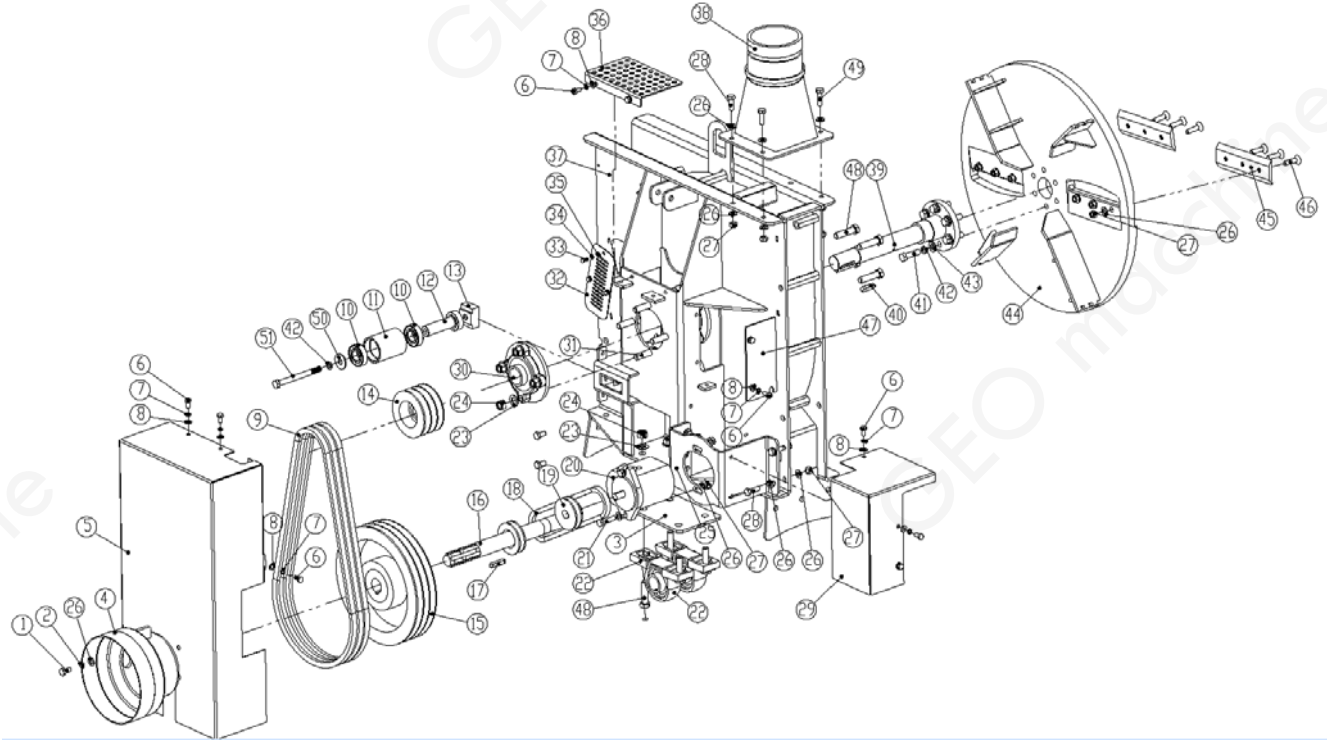
SerNo	PartNo	Description	Quantity
1	LWC130.022	Discharge chute weldment	1
2	LWC130.024	Discharge chute cover	1
3	LWC130.211	Spring	1

4	11*30*1	Nylon washer	6
5	GB/T 5783-2000	Bolt M10*20	2
6	GB/T 889.1-2000	Locknut M10	2
7	LWC130	Heptagon bolt M12x50	2
8	BX62.118	Chain	1

Sezione

3

ECO30_part3

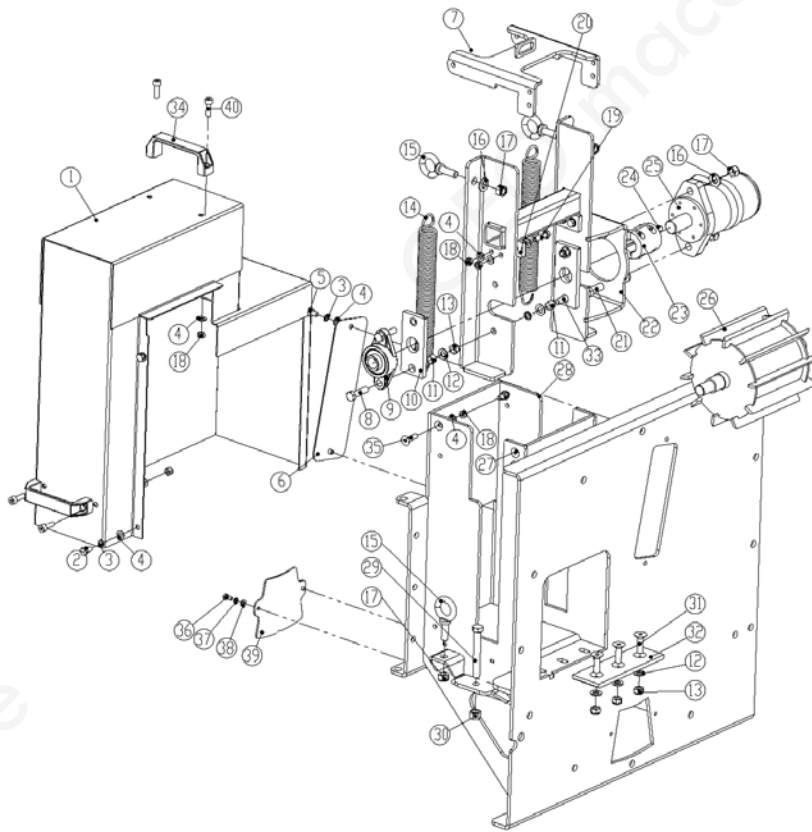


SerNo	PartNo	Description	Quantity
-------	--------	-------------	----------

1	GB/T 5783-2000	Bolt M10*20	4
2	GB/T 93-1987	Spring Washer10	4
3	LWC130.124	Bearing seat mounting plate	1
4	EF175.127	PTO guard	1
5	LWC130.029	Belt guard weldment	1
6	GB/T 5783-2000	Bolt M8*16	14
7	GB/T 93-1987	Spring washer 8	14
8	GB/T 95-2002	Plain washer 8x1.6	14
9	XPB 17*1397	Belt 17 x 1397	3
10	GB/T 276-94	Deep groove ball bearing 6205-ZZ	2
11	LWC130.105	Belt idler pulley	1
12	LWC130.104	Idler pulley shaft	1

13	LWC130.103	Limited block	1
14	SPB 106-3-1610-35	Driven pulley 1	1
15	SPB 280-3-3020-35	Drive pulley 1	1
16	LWC130.030	Drive axle weldment	1
17	GB/T 1096-1979	Flat key 10×45	1
18	V 13*710	Belt for hydraulic pump	1
19	LWC130.111	Drive pulley 2	1
20	L37 (in 7/8.14UNF,out 3/4.16UN	hydraulic pump 2PF18LJ37Po2L	1
21	GB/T 5783-2000	Bolt M10*40	2
22		Bearing seat UCP207 (Steel)	2
23	GB/T 95-2002	Plain washer 14×2.5	12
24	GB/T 889.1-2000	Locknut M14	12
25	LWC130.026	Pump support weldment	1
26	GB/T 95-2002	Plain washer 10×2	27
27	GB/T 889.1-2000	Locknut M10	14
28	GB/T 5783-2000	Bolt M10*30	5
29	LWC130.101	hydraulic pump guard	1
30	UCF208	Bearing seat UCF208	2
31	GB/T 5783-2000	Bolt M14*50	4
32	LWC130.109	Chipper Knife access Cover	1
33	GB/T 5783-2000	Bolt M6*12	3
34	GB/T 93-1987	Spring washer 6	3
35	GB/T 95-2002	Plain washer 6×1.6	4
36	LWC130.108	Top access cover	1
37	LWC130.011	Feeding box weldment	1
38	LWC130.022	Discharge port weldment	1
39	LWC130.028	Drive shaft tube weldment	1
40	GB/T1096.1979	Flat key 10×40	1
41	GB/T 5783-2000	Bolt M12*45*1.5	6
42	GB/T 93-1987	Spring washer 12	7
43	GB/T 95-2002	Large plain washer 12×2.5	6
44	LWC130.015	Flywheel weldment	1
45	LWC130.201	Chipper knife	2
46	GB/T 70.3-2000	HSCHS M10*40	6
47	LWC130.107	Small cover	2
48	GB/T 5783-2000	Bolt M14*55	8
49	GB/T 5783-2000	Bolt M10*35	2
50	GB/T 96.2-2002	Large plain washer 12×3	1
51	GB/T 5782-2000	Bolt M12*130	1

ECO30_part4



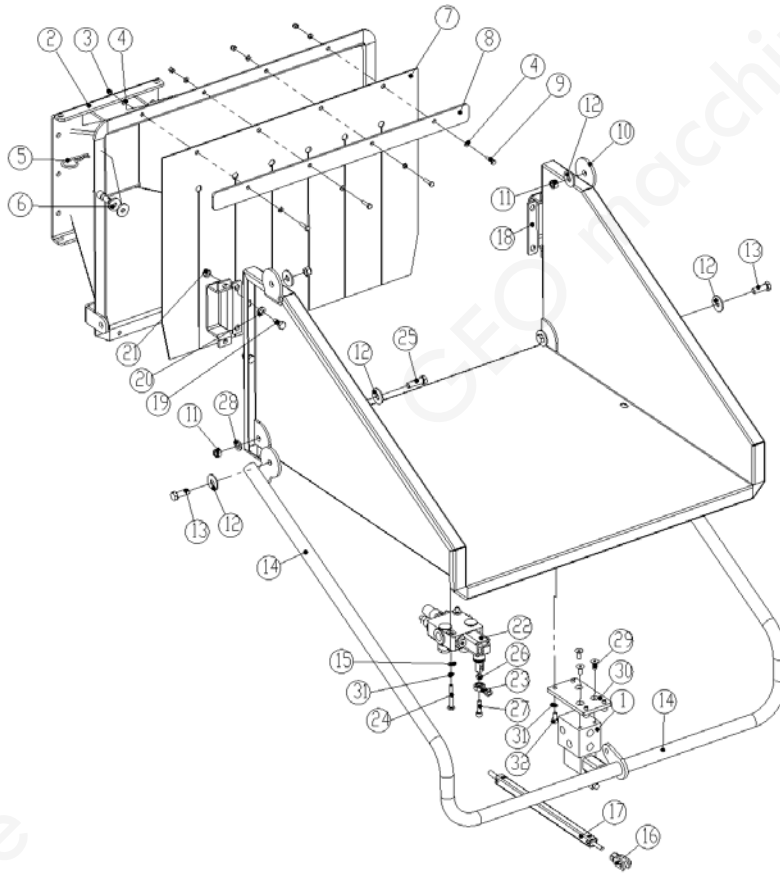
SerNo	PartNo	Description	Quantity
1	LWC130.025	Hydro-motor guard weldment	1
2	GB/T 5783-2000	Bolt M8*16	7
3	GB/T 93-1987	Spring washer 8	9
4	GB/T 95-2002	Plain washer 8×1.6	23
5	GB/T 5783-2000	Bolt M8*16	2
6	LWC130.106	Rear access cover	1
7	LWC130.027	Feeding box top cover weldment	1
8	GB/T 5783-2000	Bolt M10*40	2
9		Bearing seat UCFL204	1
10	LWC130.115	Slider	2
11	LWC130.117	Sleeve	4
12	GB/T 95-2002	Plain washer 10×2	9
13	GB/T 889.1-2000	Locknut M10	7
14	LWC130.203	Self-adjusting spring	2
15	M12	Lifting bolt M12	4
16	GB/T 95-2002	Large plain washer 12×2.5	8
17	GB/T 889.1-2000	Locknut M12	6

18	GB/T 889.1-2000	Locknut M8	10
19	GB/T 5783-2000	Bolt M8*30	4
20	LWC130.116	Wear slider-upper	2
21	GB/T 5783-2000	Bolt M12*40	2
22	LWC130.016	Roller bracket weldment	1
23	φ25*8*55	Steel coupling	1
24	BP.GBT2	Flat key 8*32	1
25	155160A6912AAATH	Hydro-motor (Axis is \varnothing 25mm)	1
26	LWC130.017	Roller weldment	1
27	GB/T 70.3-2000	HSCHS M8*16	4
28	LWC130.014	Feeding box weldment	1
29	GB/T 5783-2000	Bolt M12*90	2
30	GB/T 41-2000	Nut M12	2
31	GB/T 70.3-2000	HSCHS M10*35	3
32	LWC130.202	Wear plate ANVIL	1
33	GB/T 5783-2000	Bolt M10*30	2
34	LWC130	Handle 8-120	2
35	GB/T 70.3-2000	HSCHS M8*30	2
36	GB/T 5783-2000	Bolt M6*12	2
37	GB/T 93-1987	Spring washer 6	2
38	GB/T 95-2002	Plain washer 6×1.6	2
39	LWC130.126	Cleaning cover	1
40	GB/T 70.1-2000	SHCS M8*25	4

Sezione

5

ECO30_part5



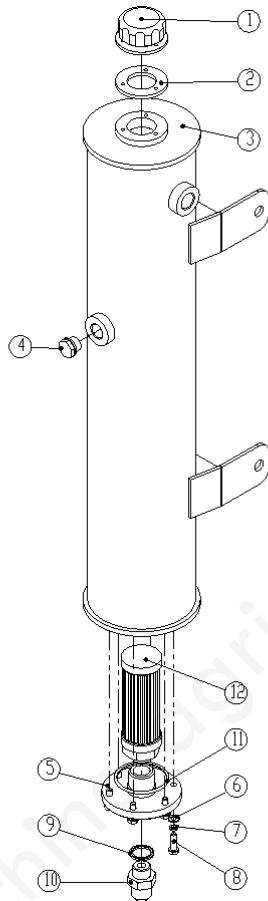
SerNo	PartNo	Description	Quantity
1	QT15067	Magnetic exchange valve	1
2	LWC130.018	Feeding hopper weldment	1
3	GB/T 889.1	Locknut M6	4
4	GB/T 95-2002	Plain washer 6x1.6	8
5	φ4	R type pin	1
6	LWC130.114	Rubber washer	2
7	LWC130.113	Blow-back shield	1
8	LWC130.112	Rubber platen	1
9	GB/T 5783-2000	Bolt M6*25	4
10	LWC130.019	Hopper weldment	1
11	GB/T 889.1-2000	Locknut M12	4
12	GB/T 96.2-2002	Large plain washer12x3	6
13	GB/T 5783-2000	Bolt M12*35	2
14	LWC130.020	Transport Handle	1
15	GB/T 95-2002	Plain washer 8x1.6	2
16	FK10*20+CL10*20	Connector with spring pin (M10*1.5)	1
17	LWC130.021	Bar weldment	1
18	LWC130.118	hopper Baffle	2
19	GB/T 5783-2000	Bolt M10*25	4

20	GB/T 95-2002	Plain washer 10×2	4
21	GB/T 889.1-2000	Locknut M10	4
22	HC-M45/1	Selector valve	1
23	GB/T9161-2001	Joining bearing M8 (Female)	1
24	GB/T 5783-2000	Bolt M8*55	2
25	GB/T 5783-2000	Bolt M12*40	2
26	GB/T 41-2000	Nut M8	1
27	GB/T 70.1-2000	SHCS M8*30	1
28	GB/T 95-2002	Large plain washer 12×2.5	2
29	GB/T 70.3-2000	HSCS M8*20	3
30	LWC130.125	Mounting plate	1
31	GB/T 93-1987	Spring washer 8	6
32	GB/T 70.1-2000	SHCS M8*16	4

Sezione

6

ECO30_part6



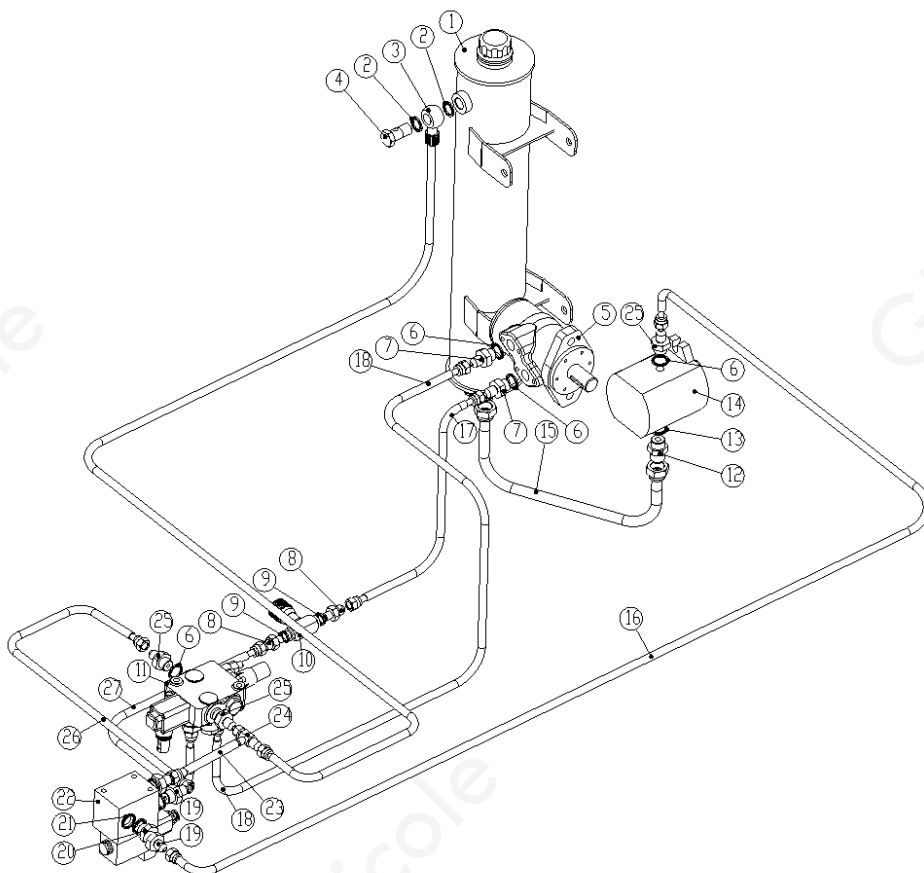
SerNo	PartNo	Description	Quantity
1	QUQ1 without sieve	Air cleaner	1
2	QUQ1 without sieve	Rubber shim	1
3	LWC130.013	Oil tank weldment	1
4	JB/T941.1995	Sight glass 16*1.5	1

5	FCR200P.214	Oil joint	1
6	GB/T 95-2002	Plain washer 6×1.6	6
7	GB/T 93-1987	Spring washer 6	6
8	GB/T 5783-2000	Bolt M6*20	6
9	BS/A19.60(UNF3/4)	Combined sealing gaskets (Automati	1
10	FCR200P.218	Oil connection 2	1
11	OD 58* Thk 3	O Ring	1
12	WU-40*100J	Built-in filter	1

Sezione

7

ECO30_part7



SerNo	PartNo	Description	Quantity
1	LWC130.013	Oil tank weldment	1
2	M18	Combined sealing gaskets 18	2
3	LWC130.206	Oil return pipe	1
4	M18*1.5	Hollow bolt	1
5	155160A6912AAATH	Hydro-motor (Axis is \varnothing 25mm)	1
6	BS/A19.60(UNF3/4)	Combined sealing gaskets (Automati	7
7	W.BX42B.126	Motor adapter	2
8	LWC130.210	Throttle valve connector	2
9	BS/A13.70(G1/4)	Combined sealing gaskets (Automati	2

10	STU.G1\4	One-way throttle valve G1\4	1
11	HC-M45/1	Selector valve	1
12	W.BX42B.130	Inlet connector	1
13	BS/A23.50 (G5/8.UNF7/8)	Combined sealing gaskets (Automati	1
14	L37 (in 7/8.14UNF,out 3/4.16UN	hydraulic pump 2PF18LJ37Po2L	1
15	LWC130.204	Inlet pipe for the pump	1
16	LWC130.205D	Inlet pipe for Magnetic exchange valv	1
17	LWC130.207	Motor inlet pipe 1	1
18	LWC130.209	Motor oil return pipe	1
19	LWC130.315D	Connector for Magnetic exchange val	3
20	W.BX42B.123	Valve connector	1
21	BS/A19.60(UNF3/4)	Combined sealing gaskets (Automati	4
22	QT15067	Magnetic exchange valve	1
23	LWC130.310D	Oil return pipe for Magnetic exchange	1
24	LWC130.313	Tee fitting	1
25	W.BX42B.123	Valve connector	5
26	LWC130.311D	inlet pipe for Magnetic exchange valv	1
27	LWC130.208	Motor inlet pipe 2	1