

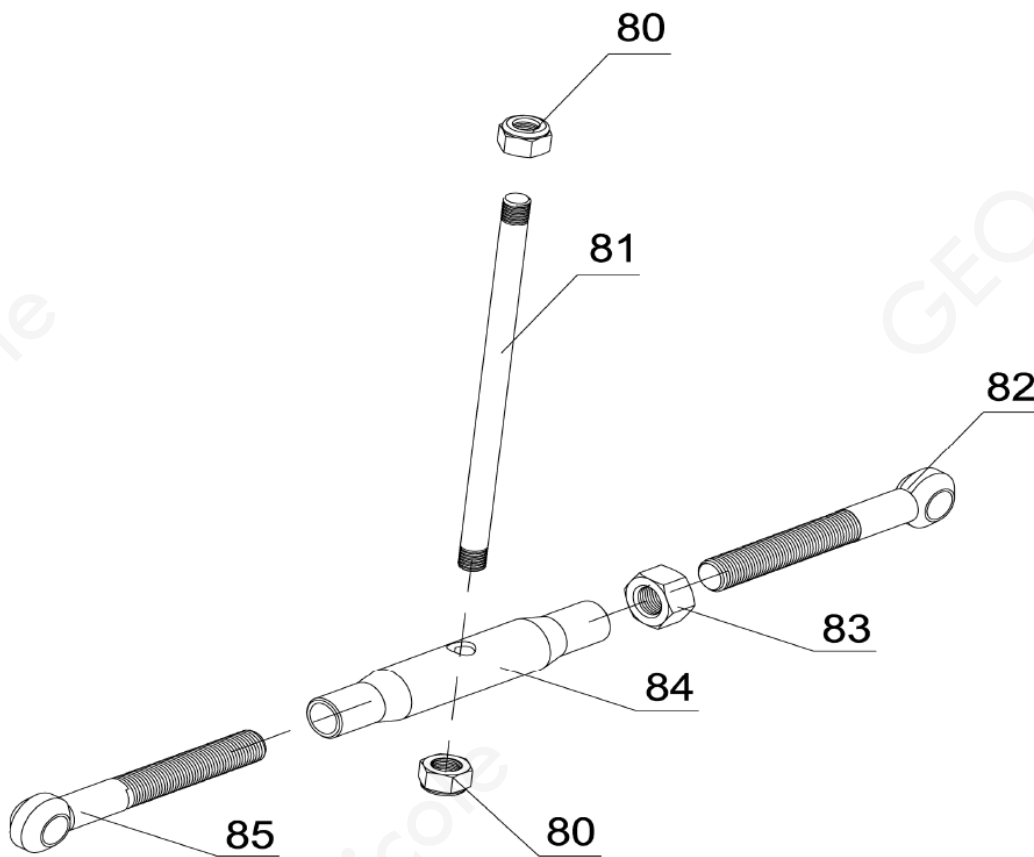
Macchina

LM120



Sezione

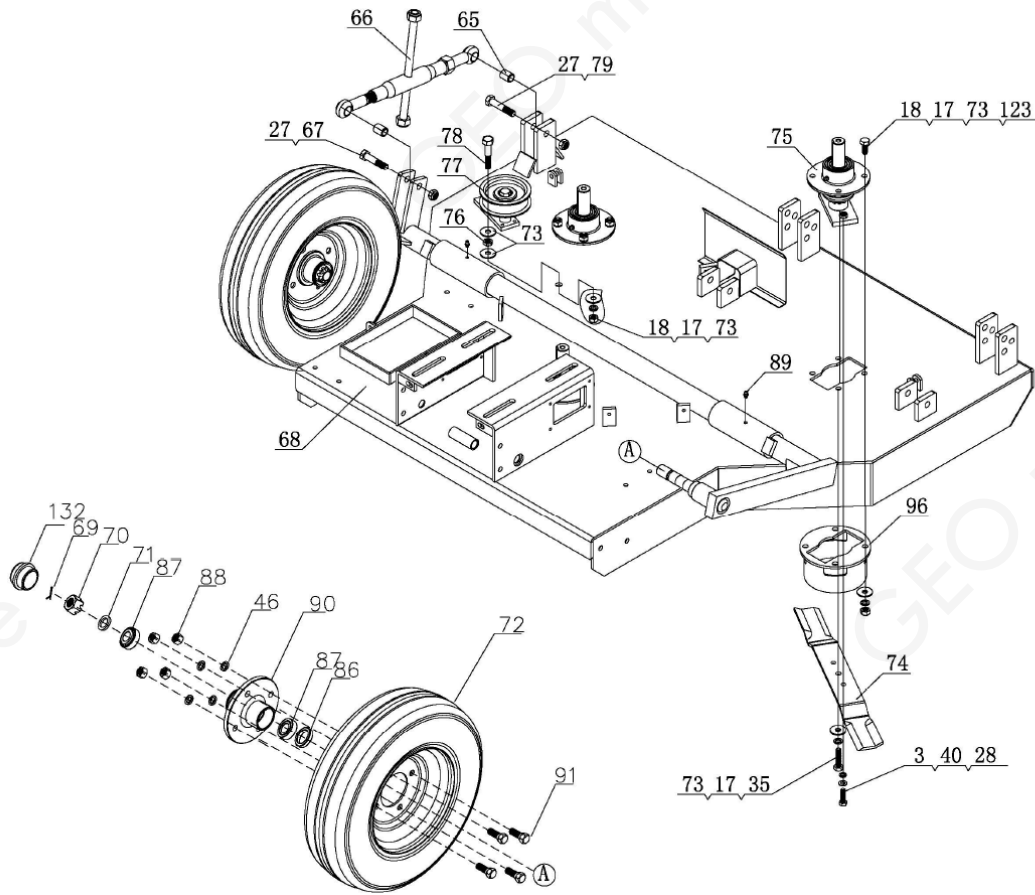
LM120\_AdjustBladeHandle



SerNo	PartNo	Description	Quantity
26	9101-12080-DX8.8	Hex Bolt M12x80	1
27	9206-12000-DX	Nylon Lock Nut M12	1
80	9206-14000-DX	Nylon Lock Nut M14	2
81	NG01-41001-DX	Adjustable Handle	1
82	N630-50002-DX	Adjustable Rod A	1
83	9201-20000-DX	Hex Nut M20	1
84	NG01-41002-DX	Adjustable Rod (middl	1
85	N630-50001-DX	Adjustable Rod B	1
99	9309-32000-FH	Spring Retainer A Ø32	1

100	g602-21010	6201 Deep Hook Ball	1
101	NG01-42001-DX	Tension Pulley	1
102	NG01-42002-DX	Support Rod A	1
103	NG01-42100-DX	Support Rod B	1

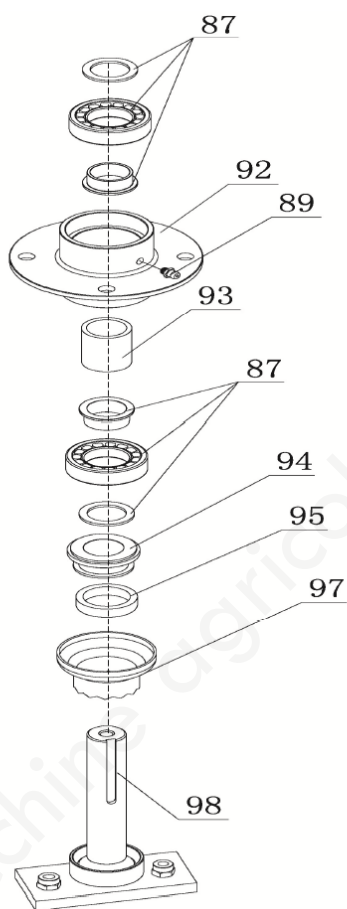
### LM120\_BaseFrame



SerNo	PartNo	Description	Quantity
3	9306-08000-DX	Lock Washer Ø8	6
17	9306-10000-DX	Lock Washer Ø10	16
18	9206-10000-DX	Nylon Lock Nut M10	13
27	9206-12000-DX	Nylon Lock Nut M12	2
28	9101-08030-DX8.8	Hex Bolt M8x30	6
35	9101-10045-DX8.8	Hex Bolt M10x45	3
40	9301-08000-DX	Flat Washer Ø8	6
46	9306-12000-DX	Lock Washer Ø12	10
65	NG01-40001-DX	Bushing	2
66	NG01-41000	Adjustable Handle	1
67	9102-12055-DX8.8	Hex Bolt M12x55	1
68	NG01-45000	Base Frame	1
69	9404-04025-DX	Cotter Pin Ø4x25	2
70	9205-20000-DX	Slotted Nut M20	2
71	9301-20000-DX	Flat Washer Ø20	2

72	N293-10001	Wheel	2
73	9302-10000-DX	Big Flat Washer Ø10	18
74	NG01-40002	Blade	3
75	NG01-44000	Blade Base	3
76	9202-10000-DX	Hex Nut M10	1
77	NG01-42000	Tension Pulley	1
78	NG01-40003-DX	Connect Bolt	1
79	9101-12060-DX8.8	Hex Bolt M12x60	1
86	9905-30042	Oil Seal	2
87	9603-20042	Tapered Ball Bearing	4
88	9201-12000-DX1.25	Hex Nut M12	8
89	9701-06000	Oil Cup M6	2
90	N29W-03100	Flange Ring	2
91	N293-10004	Tapered Hex Bolt	8
96	NG01-91000	Big Guardrail Circle	3
123	9102-10035-DX8.8	Hex Bolt M10x35	12

LM120\_BladeBase

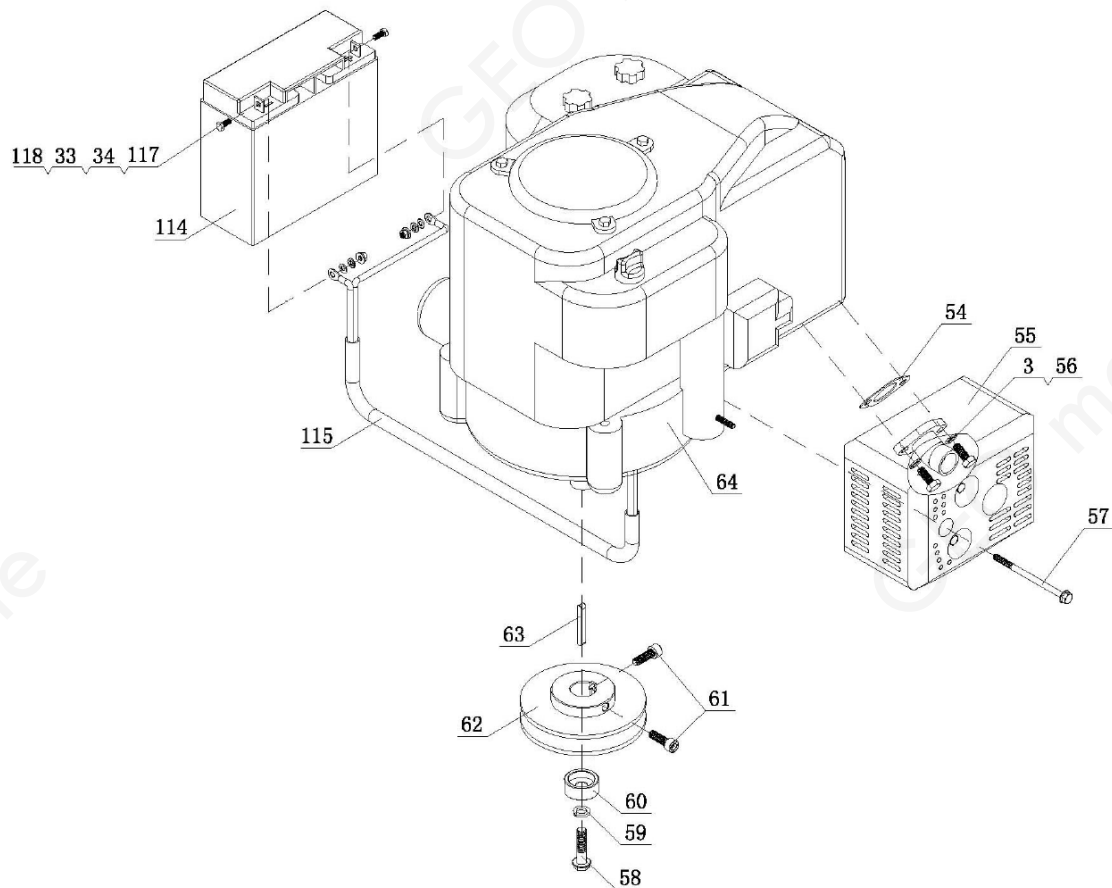


SerNo	PartNo	Description	Quantity
-------	--------	-------------	----------

87	9609-UNP205E	Roller Bearing	2
89	GB1152/M6	Oil Cup M6	1
92	NG01-44001-DX	Flange Base	1

93	NG01-44002-DX	Bearing Retainer A	1
94	NG02-02002-DX	Bearing Retainer	1
95	NG02-02003	Felt Ø30xØ39	1
97	NG01-44003-DX	Dust Cover	1
98	NG01-44100-DX	Blade Base	1

### LM120\_Engine

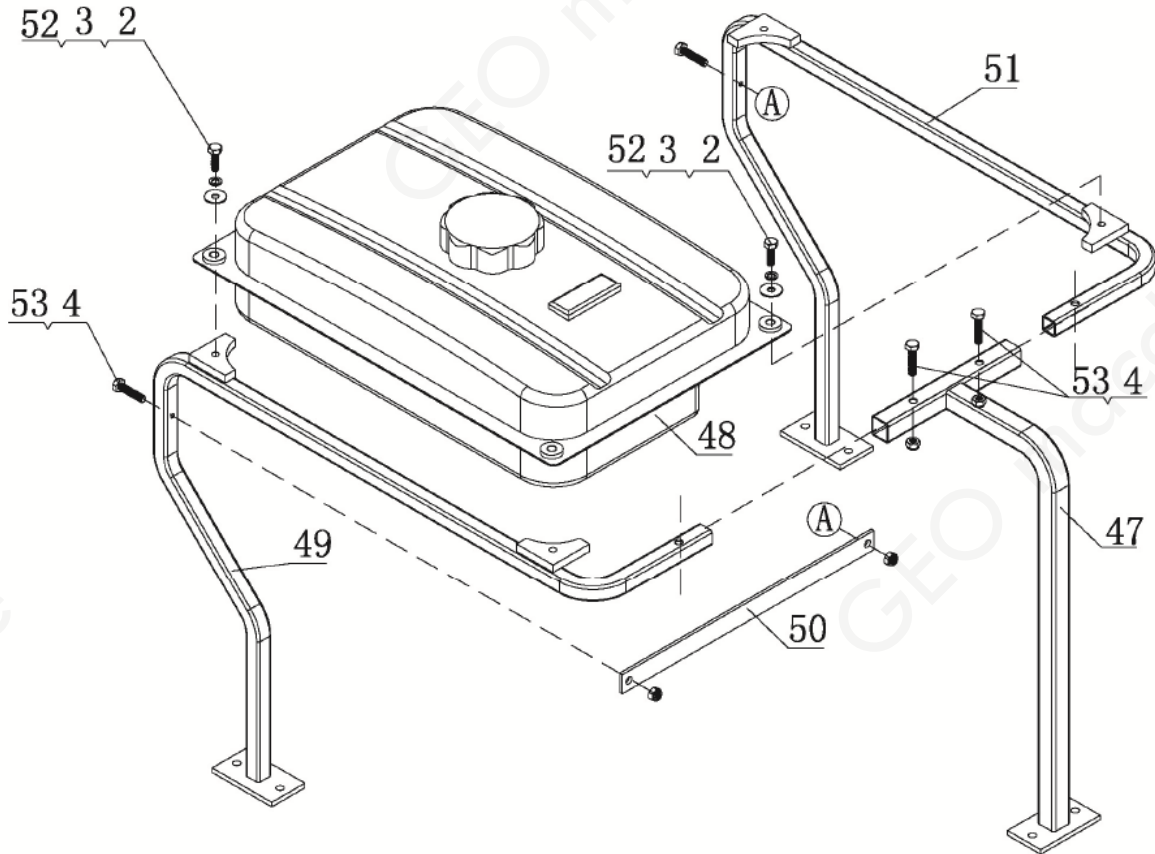


SerNo	PartNo	Description	Quantity
-------	--------	-------------	----------

3	9306-08000-DX	Lock Washer Ø8	2
33	9306-05000-DX	Lock Washer Ø5	2
34	9301-05000-DX	Flat Washer Ø5	2
54	NG01-20004	Washer	1
55	NG01-22000	Muffler	1
56	9101-08025-DX8.8	Hex Bolt 5/16"x1"	2
57	9115-06120-DX10.9	Flange Bolt M6x120	1
58	9115-11040-DX10.9	Flange Bolt 7/16x40	1
59	9306-12000-DX	Lock Washer Ø12	1
60	NG01-20001-DX	Engine Bushing	1
61	9105-08025-DX8.8	Inner Hex Screw M8x25	2
62	NG01-20002-DX	Blade Belt Pulley C	1
63	NG01-20003	Belt Pulley Flat Key C	1
64	NG01-21000	Engine 16HP	1

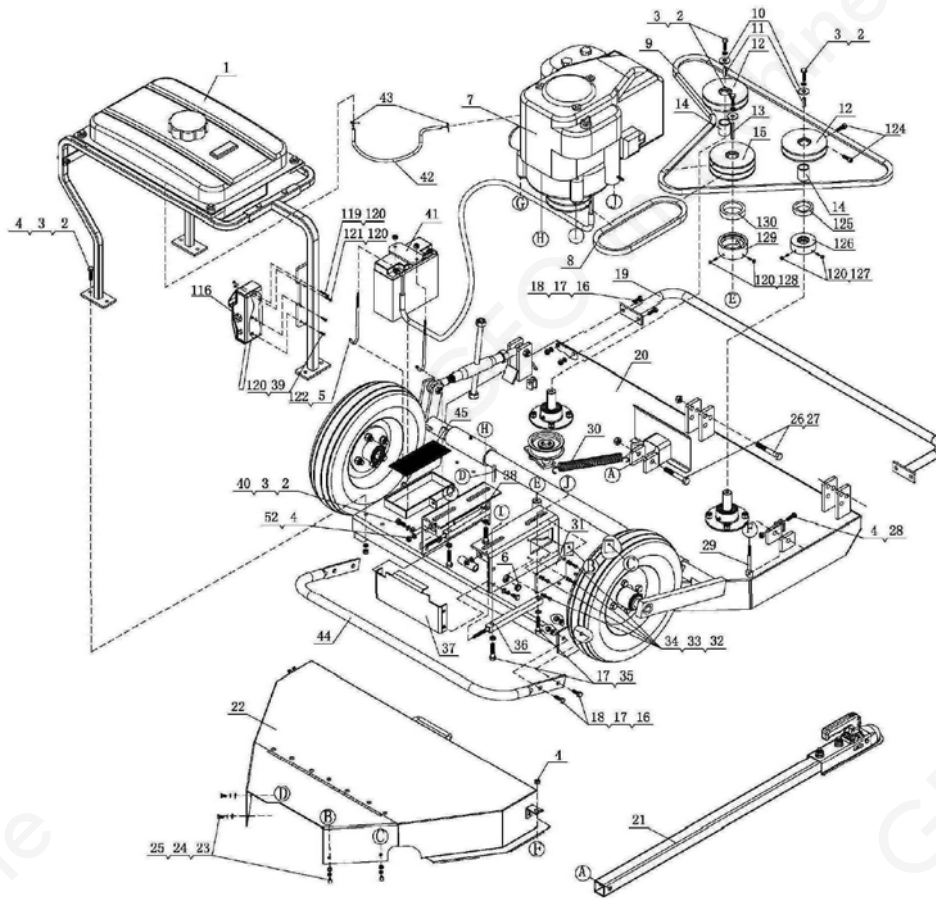
114	NG01-20004	12V Battery	1
115	NG01-23000	Wire	1
117	9101-05014-DX	Hex Bolt M5x16	2
118	9212-05000-DX	Flange Nut M5	2

### LM120\_FuelTank



SerNo	PartNo	Description	Quantity
2	9101-08025-DX8.8	Hex Bolt M8x2.5	4
3	9306-08000-DX	Lock Washer Ø8	4
4	9206-08000-DX	Nylon Lock Nut M8	4
47	NG01-12000	Tube Assembly	1
48	NG01-13000	Oil Tank Assembly	1
49	NG01-14000	Engine Cradle B	1
50	NG01-10001	Support Connector	1
51	NG01-11000	Engine Cradle A	1
52	9302-08000-DX	Big Washer Ø8	4
53	9101-08035-DX8.8	Hex Bolt M8x35	4

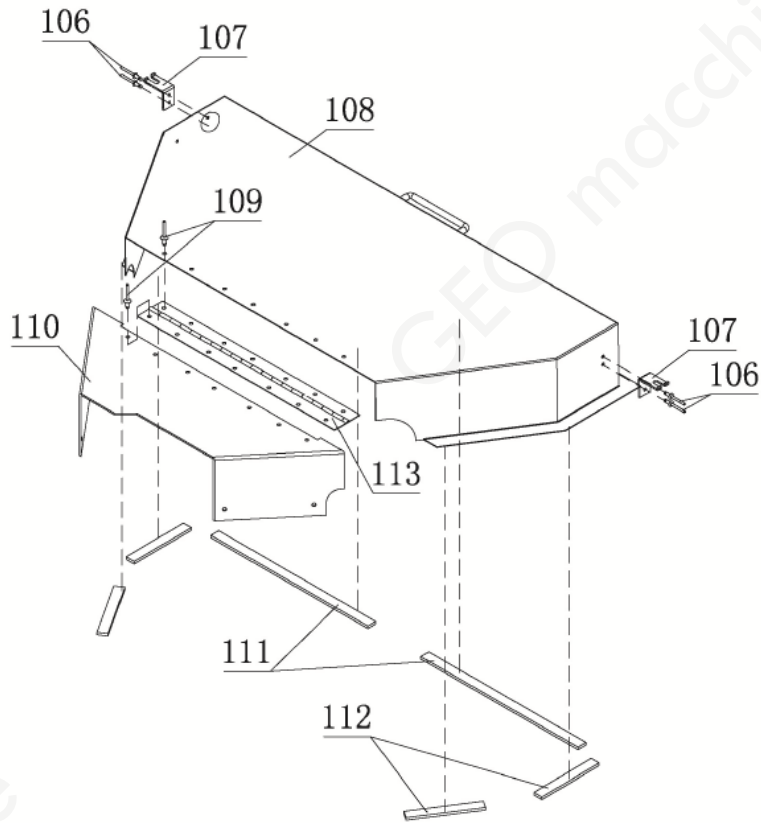
# LM120\_MainAssembly



SerNo	PartNo	Description	Quantity
1	NG01-10000	Oil Tank Assembly	1
2	9101-08025-DX8.8	Hex Bolt M8x25	13
3	9306-08000-DX	Lock Washer Ø8	13
4	9206-08000-DX	Nylon Lock Nut M8	12
5	NG01-00001-DX	Battery Hook	2
6	NG01-00002	Rubber Bushing	2
7	NG01-20000	Engine	1
8	NG01-00003	SPB686 Angle Belt	1
9	NG01-00004	SPB2182 Angle Belt	1
10	NG01-00005-DX	Belt Pulley Washer A	3
11	NG01-00006	Belt Pulley Flat Key A	2
12	NG01-00007-DX	Blade Belt Pulley A	2
13	NG01-00008	Belt Pulley Flat Key B	1
14	NG01-00009-DX	Blade Retainer A	2
15	NG01-00010-DX	Blade Belt Pulley B	1
16	9101-10025-DX8.8	Hex Bolt M10x25 (8.8)	8
17	9306-10000-DX	Lock Washer Ø10	12
18	9206-1000-DX	Nylon Lock Nut M10	8
19	NG01-30000	Safety Rod Front	1

20	NG01-40000	Base Frame	1
21	NG04-01000	Tow Bar Assembly	1
22	NG01-60000	Protect Cover	1
23	9101-06016-DX8.8	Hex Bolt M6x16 (8.8)	4
24	9306-06000-DX	Lock Washer Ø6	4
25	9301-06000-DX	Flat Washer Ø6	4
26	9101-12080-DX8.8	Hex Bolt M12x80 (8.8)	2
27	9206-12000-DX	Nylon Lock Nut M12	2
28	9101-08030-DX8.8	Hex Bolt M8x30 (8.8)	2
29	NG01-00011-DX	Hook	2
30	NG01-00013	Spring	1
31	NG01-00013	Side Plate	2
32	9101-05012-DX	Hex Bolt M5x12	8
33	9306-05000-DX	Lock Washer Ø5	8
34	9301-05000-DX	Flat Washer Ø5	8
35	9101-10045-DX8.8	Hex Bolt M10x45	4
36	NG01-70000	Adjustable Plate B	1
37	NG01-80000	Back Plate	1
38	BG01-90000	Adjustable Plate A	1
39	9101-05020-DX	Hex Bolt M5x20	2
40	9301-08000-DX	Flat Washer Ø8	2
41	NG01-00014	Battery Press Plate	1
42	NG01-00015	Hydraulic Hose (350mm)	1
43	NG01-00016	Hose Clamp	2
44	NG01-00017	Safety Rod Back	1
45	NG01-00018	Rubber Plate for Battery	1
52	9302-08000-DX	Flat Washer Ø8	2
116	NG01-24000	Electric Start Switch	1
119	9101-05035-DX	Hex Bolt M5x35	1
120	9206-05000-DX	Nylon lock Nut M5	10
121	9101-05025-DX	Hex Bolt M5x25	1
122	9206-06000-DX	Nylon lock Nut M6	2
124	9109-08015-FH12.9	Screw M8x15	6
125	NG01-00022	Driven Pulley Felt	2
126	NG01-00020-DX	Driven Pulley Seal	2
127	9109-05012-FH12.9	Screw M5x12	4
128	9109-05020-FH12.9	Screw M5x20	2
129	NG01-00019-DX	Active Pulley Seal	1

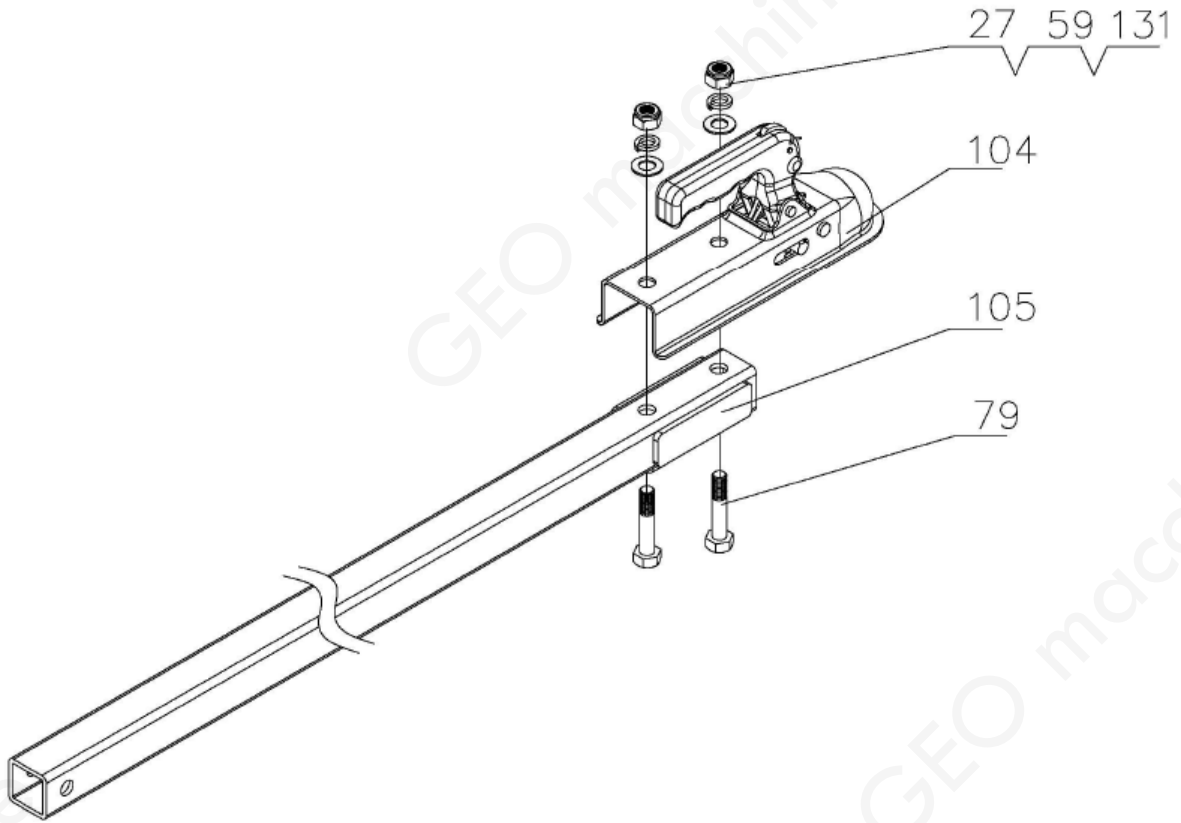
LM120\_ProtectCover



SerNo	PartNo	Description	Quantity
106	9504-05012-YH	Rivet Ø5x12	4
107	NG01-6001-DX	Turn Clip	2
108	NG01-61000	Protect Cover	1
109	9504-06012-YH	Rivet Ø16x12	14
110	NG01-60004	Belt Pulley Cover	1
111	NG01-60002	Shock Pad Long	2
112	NG01-60003	Shock Pad Short	4
113	NG01-62000-DX	Hinge	1



LM120\_TowBar



SerNo	PartNo	Description	Quantity
27	9206-12000-DX	Nylon Lock Nut M12	2
59	9306-12000-DX	Lock Washer Ø12	2
79	9101-12060-DX8.8	Hex Bolt M12x60	2
104	Z104SP	Cast Coupler	1
105	NGo4-01000	Tow Bar	1
131	9301-12000-DX	Flat Washer Ø12	2