

Macchina

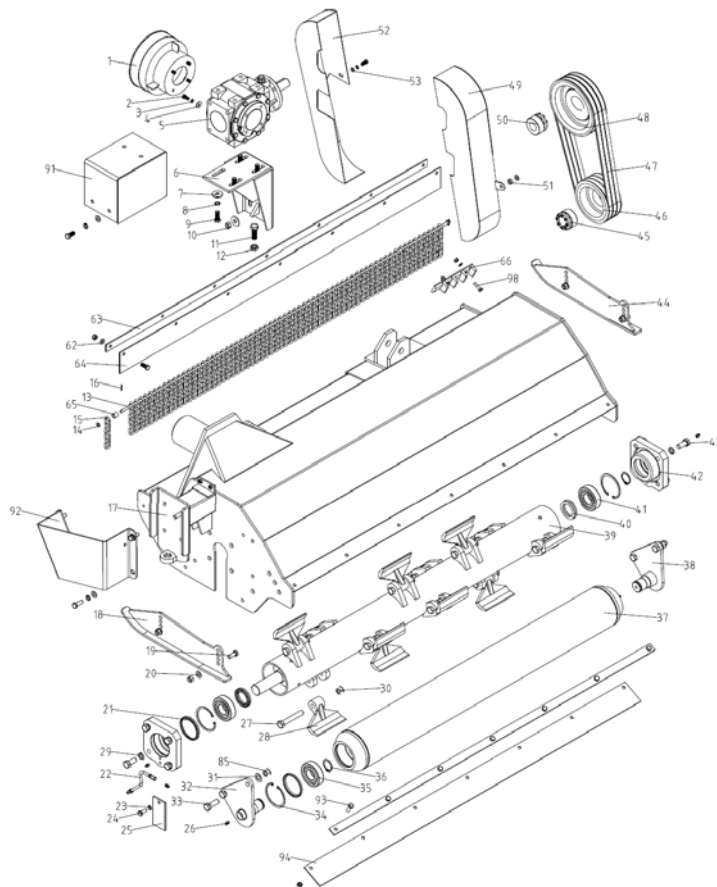
AGF



Sezione

1

AGF_Assembly

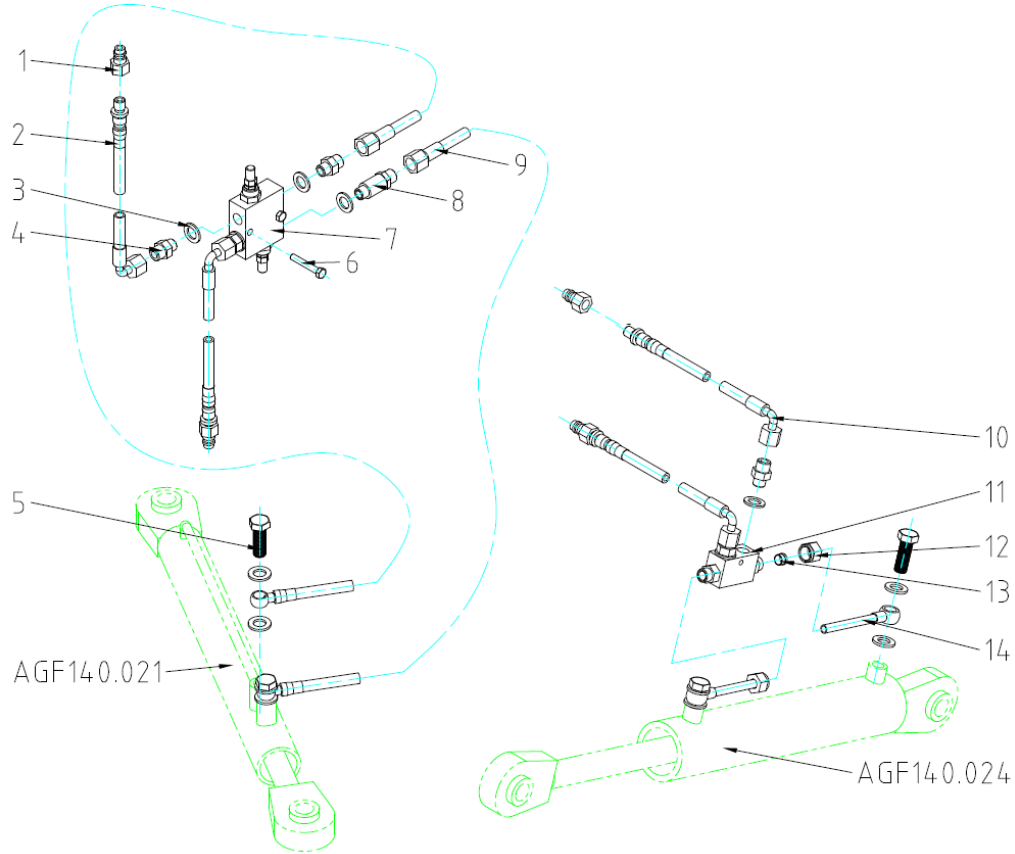


SerNo	PartNo	Description	Quantity
1	FM150.120	Guard shade	1
2	GB5783-86/M8X20	Bolt M8X20	6
3	GB93-87/8	Spring washer 8	6
4	GB96-85/8	Plain washer 8	4
5	TS50.300Z.02	Gear box assembly	1
6	AGF140.026	Adjusting frame for the gear box	1
7	GB96-85/12	Plain washer 12	10
8	GB93-87/12	Spring washer 12	12
9	GB5783-86/M12X35	Bolt M12X35	4

10	GB6184-86/M12	Locking nut M12	8
11	GB5786/M16X1.5X50	Bolt M16X1.5X50	1
12	GB6173-86/M16x1.5	Nut M16x1.5	1
13,1	AGF140.207	Shaft for Link AGF140	1
13,2	AGF160.207	Shaft for Link AGF160	1
13,3	AGF180.207	Shaft for Link AGF180	1
13,4	AGF200.207	Shaft for Link AGF200	1
14	GB97.1-85/8	Plain washer 8	4
15	AGF140.030	Link	60
16	GB/T91-2000/2.5X16	Splitpin 2.5X16	2
17,1	AGF140.015	The cover weldment AGF140	1
17,2	AGF160.015	The cover weldment AGF160	1
17,3	AGF180.015	The cover weldment AGF180	1
17,4	AGF200.015	The cover weldment AGF200	1
18	AGF140.028	Base plate (L)	1
19	GB5783-86/M12X30	Bolt M12X30	12
20	GB97.1-85/12	Plain washer 12	12
21	GB13871-94/40X90X10	Oil seal 40X90X10	3
22	AGF140.034	Oil pipe	1
23	GB93-87/10	Spring washer 10	4
24	GB5783-86/M10X25	Bolt M10X25	14
25	AGF140.209	Fender	1
26	GB1152-89/M10X1	Oil cup M10X1	9
27	GB5785-86/M16X1.5X100	Bolt M16X1.5X100	12
28	AGF140.103	Hammer	12
29	GB93-87/16	Spring washer 16	8
30	GB6185.2-86/M16X1.5	Locking nut M16X1.5	12
31	GB97.1-85/16	Plain washer 16	4
32	AGF140.033	Supporting for roller (R)	1
33	GB5783-86/16X45	Bolt M16X45	4
34	GB893.1-86/90	Circlip 90	4
35	GB/T276-94/6308	Bearing 6308	2
36	GB894.1-86/40	Circlip 40	3
37,1	AGF140.022	Roller weldment AGF140	1
37,2	AGF160.022	Roller weldment AGF160	1
37,3	AGF180.022	Roller weldment AGF180	1
37,4	AGF200.022	Roller weldment AGF200	1
38	AGF140.032	Supporting for roller (L)	1
39,1	AGF140.023	Blade axle weldment AGF140	1

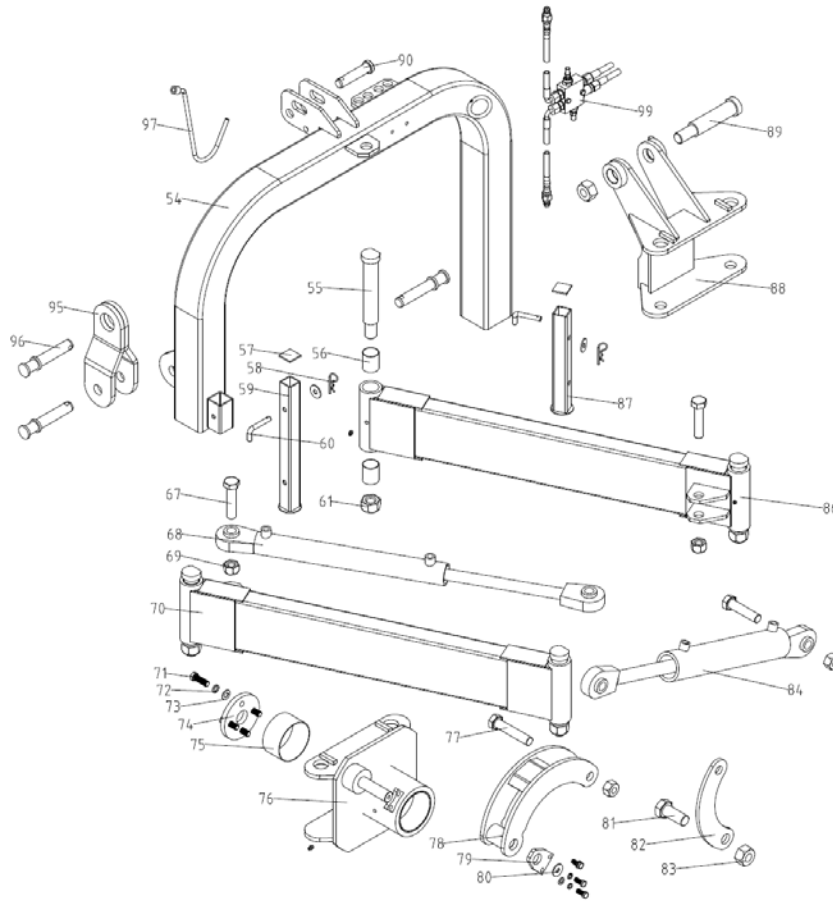
39,2	AGF160.024	Blade axle weldment AGF160	1
39,3	AGF180.025	Blade axle weldment AGF180	1
39,4	AGF200.026	Blade axle weldment AGF200	1
40	GB13871-94/45X80X10	Oil seal 45X80X10	2
41	GB/T281-94/1308	Bearing1308	2
42	AGF140.104	Bearing seat	2
43	GB5783-86/M16X35	Bolt M16X35	8
44	AGF140.029	Base plate (R)	1
45	JB/T7934Z3/40X80	Swellable sleeve	1
46	AGF140.202	Small belt pulley	1
47	GB/T1154-97/B1393	Strap SPB1393	3
48	AGF140.203	Big belt pulley	1
49	AGF140.014	Belt cover (R)	1
50	JB/T7934Z3/33X80	Swellable sleeve	1
51	GB6184-86/M10	Locking nut M10	24
52	AGF140.013	Belt cover (L)	1
53	GB97.1-85/8	Plain washer 8	4
61	GB6184-86/M30X2	Locking nut M30X2	5
62	GB97.1-85/10	Plain washer 10	36
63,1	AGF140.206	Press plate AGF140	1
63,2	AGF160.206	Press plate AGF160	1
63,3	AGF180.206	Press plate AGF180	1
63,4	AGF200.206	Press plate AGF200	1
64,1	AGF140.208	Rubber plate AGF140	1
64,2	AGF160.208	Rubber plate AGF160	1
64,3	AGF180.208	Rubber plate AGF180	1
64,4	AGF200.208	Rubber plate AGF200	1
65	AGF140.111	Sleeve	60
66	AGF140.204	Cast plate	7
91	AGF140.035	Gear box Cover	1
92	AGF140.205	Belt pulley Cover	1
93,1		Back Rubber AGF140	1
93,2		Back Rubber AGF160	1
93,3		Back Rubber AGF180	1
93,4		Back Rubber AGF200	1

AGF HYDRAULIC SYSTEM



SerNo	PartNo	Description	Quantity
1	EFGCH125.013	Quick connector R1/2"	4
2	AGF140.041	Oil pipe	2
3	JB/T 982-1977	Seal washer 16	14
4	AGF140.401	Short Adaptor	5
5	GB/T 3451-83	Bolt M16X1.5X45	4
6	GB/T 5782-2000	Bolt M8X40	2
7	AGF140.042	Valve	1
8	AGF140.402	Long Adaptor	1
9	AGF140.043	Oil pipe	2
10	AGF140.044	Oil pipe	2
11	AGF140.046	Valve	1
12	AGF140.403	Nut	2
13	AGF140.404	Bushing	2
14	AGF140.045	Adaptor weldment	2

AGF_SwayFrameAssembly



SerNo	PartNo	Description	Quantity	
	54	AGF140.016	Hanging weldment	1
	55	AGF140.101	Pin (L)	4
	56	SF-2/40X44X50	Bushing 40X44X50	8
	57	AGF140.108	Cover (B)	2
	58	EFGC125.110	R pin	2
	59	AGF140.011	Supporting frame (S)	1
	60	1G135.00.107	Bent pin	2
	61	GB6184-86/M30X2	Locking nut M30X2	5
	67	GB5781-86/M24X100	Bolt M24X100	3
	68	AGF140.021	Parallel movement cylinder	1
	69	GB6184-86/M24	Locking nut M24	4
	70	AGF140.018	Front swinging arm	1
	71	GB5783-86/M14X35	Bolt M14X35	4
	72	GB93-87/14	Spring washer 14	4
	73	GB97.1-85/14	Plain washe14	4
	74	AGF140.105	Cover	1
	75	SF-2/110X115X60	Bushing 110X115X60	2
	76	AGF140.025	Rotating shaft	1
	77	GB5781-86/M24X120	Bolt M24X120	1

78	AGF140.027	The moon plate	1
79	AGF140.102	Clamping block	1
80	AGF140.103	Washer	1
81	GB5783-86/M30X70	Bolt M30X70	1
82	AGF140.107	Push pedal	1
83	GB6184-86/M30	Locking nut M30	1
84	AGF140.024	Side sway cylinder	1
85	GB6184-86/M16	Locking nut M16	4
86	AGF140.019	Rear swinging arm	1
87	AGF140.012	Supporting frame (L)	1
88	AGF140.017	Sway seat	1
89	AGF140.106	Pin (S)	1
90	AGF140.109	Pin shaft	1
95	AGF140.031	Small Hanging weldment	1
96	AGF140.210	Pin for lifting	3
97	EFGC125.124	Hook	1
98	GB5783-86/M10X35	Bolt M10X35	14
99	AGF140.004	HYDRAULIC SYSTEM	1