

Macchina

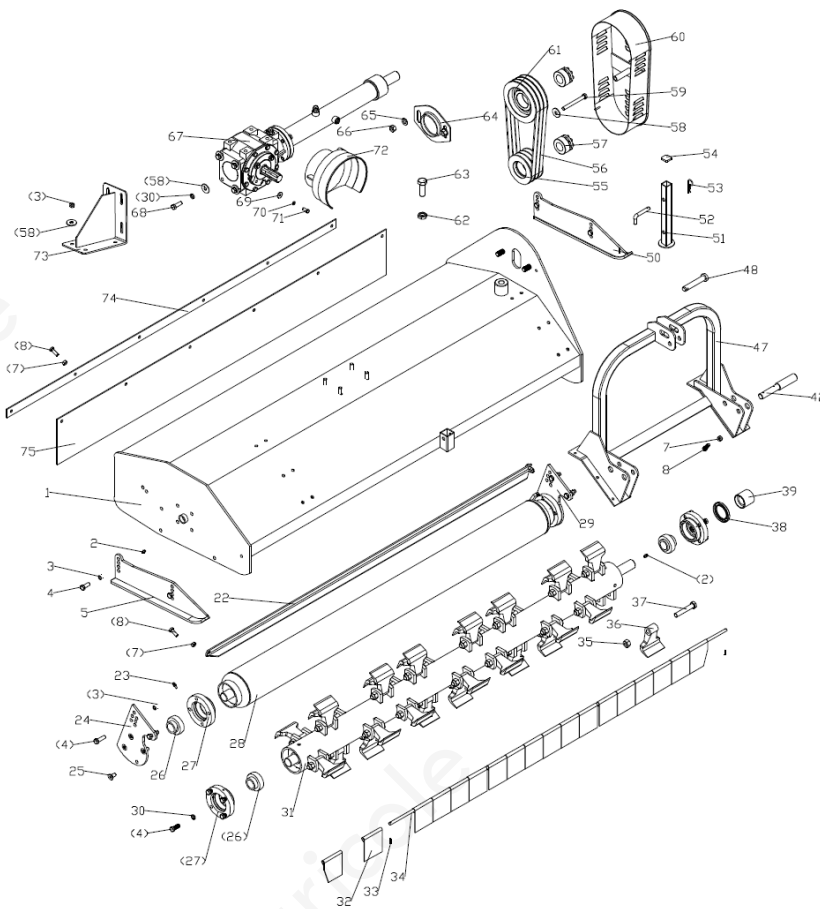
DPS



Sezione

1

## DPS\_MainAssembly



SerNo	PartNo	Description	Quantity	
1,1	DPS125.013	The cover weldment	125	1
1,2	DPS155.013	The cover weldment	155	1
1,3	DPS175.013	The cover weldment	175	1
1,4	DPS205.013	The cover weldment	205	1
2	GB1152-89/M8X1	Oil cup M8X1		2
3	GB6184-86/M12	Locking nut M12		8
4	GB5783-86/M12X30	Bolt M12X30		16
5	DP175.015	Base plate (R)		1
7	GB6184-86/M10	Locking nut M10		2

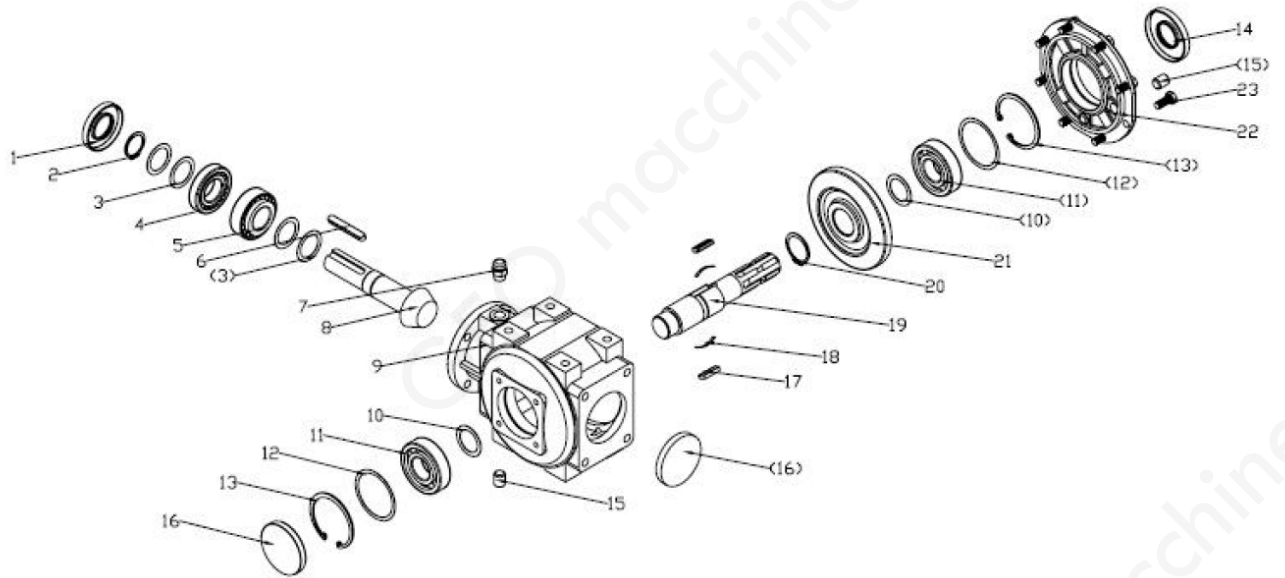
8	GB5783-86/M10X30	Bolt M10x30		2
9,1	DP125.102	Mud shield	125	1
9,2	DP155.102	Mud shield	155	1
9,3	DP175.102	Mud shield	175	1
9,4	DP205.102	Mud shield	205	1
23	JB/T7940.2-95/M6	Oil cup M6		2
24	DP175.018.01	Supporting for roller (L)		1
25	GB70.3-2000/M12X25	Hex.head bolt M12X25		8
26	UC207-Z	Flange UC207-Z		4
27	EFGC125.115	Bearing		4
28,1	DP125.020	Roller weldment	125	1
28,2	DP155.020	Roller weldment	155	1
28,3	DP175.020	Roller weldment	175	1
28,4	DP205.020	Roller weldment	205	1
29	DP175.019	Supporting for roller (R)		1
30	GB93-87/12	Spring washer 12		12
31,1	EFGC125.018	Blade axle weldment	125	1
31,2	EFGC155.018	Blade axle weldment	155	1
31,3	EFGC175.018	Blade axle weldment	175	1
31,4	EFGC205.018	Blade axle weldment	205	1
32	EFGC125.113	Fender		1
33	GB879-86/4X22	Elastic cylindrical pin 4x22		2
34,1	EFGC125.104	Shaft for fender	125	1
34,2	EFGC155.104	Shaft for fender	155	1
34,3	EFGC175.104	Shaft for fender	175	1
34,4	EFGC205.104	Shaft for fender	205	1
35	GB6184-86/M16X1.5	Locking nut M16X1.5		2
36	EFGC125.122A	Blade		2
37	GB5785-2000	Bolt M16X1.5X90		2
38	GB13871-94/55X80X8	Oil seal FB55X80X8		1
39	EFGC125.116	Oil-sealing sleeve		1
42	BM30.102	Pin for lifting		2
47	DPS175.011	Hanging weldment		1
48	EFGC125.123	Pin shaft		1
50	DP175.014	Base plate (L)		1
51	DP175.107	Supporting frame		1
52	1G135.00.107	Bent pin		1
53	EFGC125.110	R pin		1
54	EFGC125.112	Cover		1

55	EFGC125.117A	Small belt ptlley		1
56	GB/T1154-97/SPB991	Strap SPB991		4
57	JB/T7934Z3/35X60	Swellable sleeve		2
58	GB96-85/12	Plain washer 12		5
59	GB5782-86/M12X120	Bolt M12X130		1
60	EFGC125.012	Belt cover		1
61	EFGC125.121A	Big belt ptlley		1
62	GB6173-86/M20x1.5	Nut M20x1.5		1
63	GB5786-86/M20X1.5X55	Bolt M20X1.5X55		1
64	EFGC125.120	Tension plate		1
65	GB97.1-85/14	Plain washer 14		2
66	GB6184-86/M14	Locking nut M14		2
67	DP175.022	Gearbox assembly		1
68	GB5783-86/M12X35	Bolt M12x35		4
69	GB96-85/8	Plain washer 8		4
70	GB93-87/8	Spring washer 8		4
71	GB5783-86/M8X20	Bolt M8x20		4
72	DP175.104	Guard shade		1
73	DPS 175.026	Adjusting frame for the gear box		1
74,1	DPS 125.056	Plate DPS	125	1
74,2	DPS155.056	Plate DPS	155	1
74,3	DPS175.056	Plate DPS	175	1
74,4	DPS205.056	Plate DPS	205	1
75,1	DPS 125.017	Rubber DPS	125	1
75,2	DPS155.017	Rubber DPS	155	1
75,3	DPS175.017	Rubber DPS	175	1
75,4	DPS205.017	Rubber DPS	205	1

Sezione

2

## DPS\_GearboxAssembly

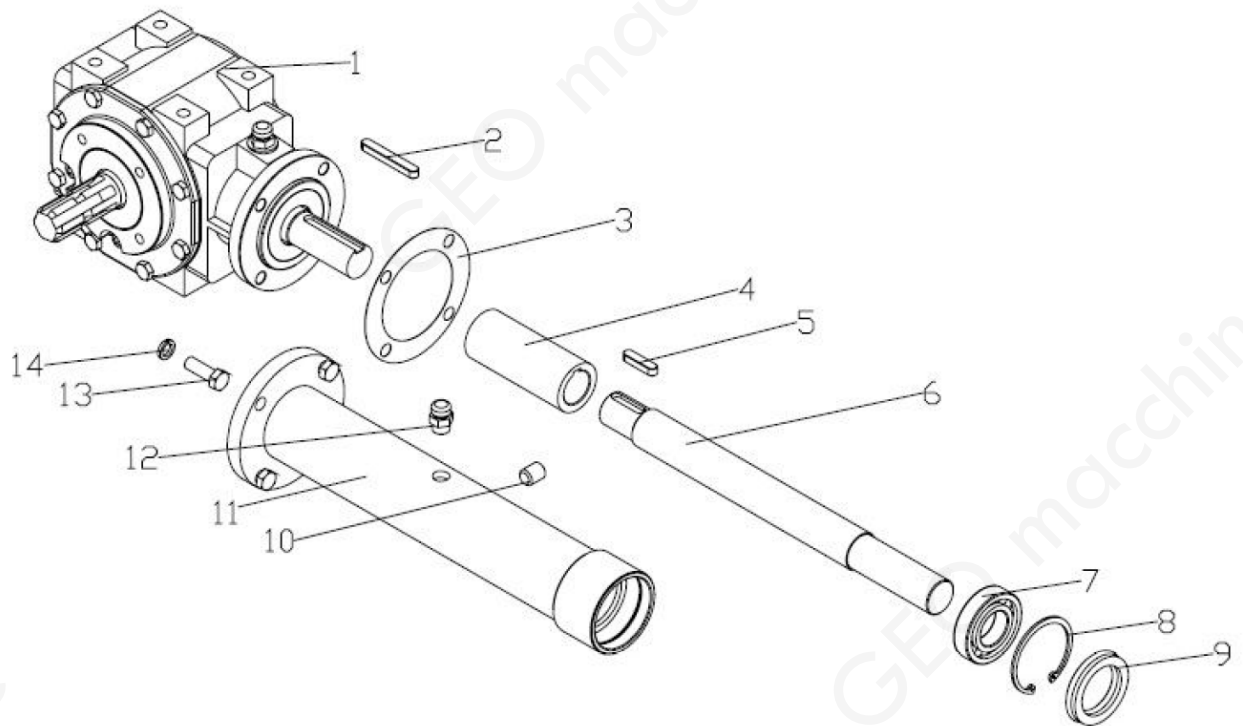


SerNo	PartNo	Description	Quantity
1	TS50.300Z.02	Gearbox assembly	1
2	GB1096-79/A10X70	Key A10X70	1
3	EFGC125.166	Paper gasket	1
4	EFGC125.167	Connected sleeve	1
5	GB1096-79/A10X40	Key A10X40	1
6,1	DP125.155	Shaft 125	1
6,2	DP155.155	Shaft 155	1
6,3	DP175.155	Shaft 175	1
6,4	DP205.155	Shaft 205	1
7	GB/T276-94/6207	Bearing 6207	1
8	GB893.1-86/72	Circlip 72	1
9	GB13871-94/35X72X10	Oil seal 35x72x10	1
10	ZBT 32001.3-87	Retainer	1
11,1	DP125.023	Shaft tube weldment 125	1
11,2	DP155.023	Shaft tube weldment 155	1
11,3	DP175.023	Shaft tube weldment 175	1
11,4	DP205.023	Shaft tube weldment 205	1
12	EFGC125.169	Bolt of plug screw ZG3/8"-19	1
13	GB5783-86/M12X35	Bolt M12X35	4

Sezione

3

## DPS\_Gearbox



SerNo	PartNo	Description	Quantity
1	GB9877.1-88/35X72X10	Oil seal 35x72x10	1
2	GB894.1-89/35	Circlips for shaft 35	1
3	TS50.300Z.01.110	Washer (S) 0.7	4
4	GB297-94/30207	Bearing 30207	1
5	GB297-94/32207	Bearing 32207	1
6	GB1096-79/10X65	Key 10X65	1
7	EFGC125.169	Bolt of plug screw ZG3/8"-19	1
8	TS50.300Z.01.111	Bevel gear shaft	1
9	TS50.300Z.01.101	Gearbox complete	1
10	TS50.300Z.01.105	Washer (S) 1	2
11	GB/T276-94/6307	Bearing 6307	2
12	TS50.300Z.01.104	Washer (B) 0.7	2
13	GB893.1-86/80	Circlips for hole 80	2
14	GB9877.1-88/35X80X10	Oil seal 35x80x10	1
15	ZBT 32001.3-87	Retainer	1
16	TS50.300Z.01.106	Seal cover	2

17	TS50.300Z.01.108	Key	2
18	TS50.300Z.01.109	Spring	2
19	TS50.300Z.02.103	Pinion shaft	1
20	GB894.1-89/42	Circlips for shaft 42	1
21	TS50.300Z.01.107	Bevel gear	1
22	TS50.300Z.01.102	Gearbox cover	1
23	GB5783-86/M10X25	Bolt M18x40	8