

Macchina

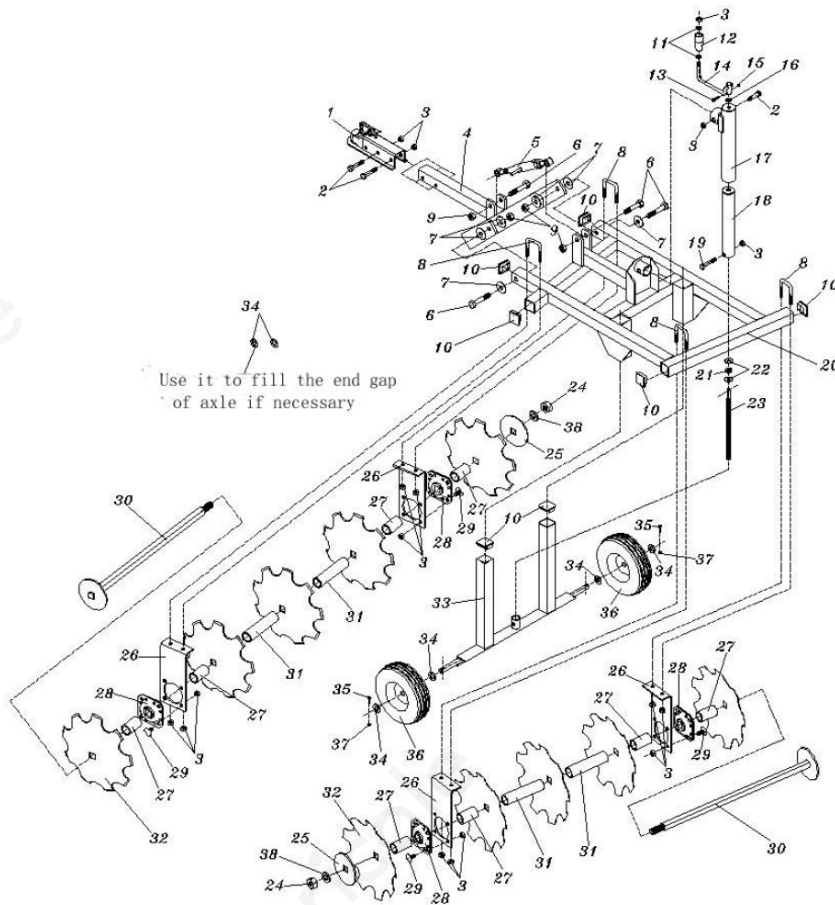
TOW



Sezione

1

TOW



SerNo	PartNo	Description	Quantity
1		2" Coupling	1
2		Hex Bolt M12x80	3
3		Hex Lock Nut M12	29
4		Hitch Tongue	1
5		Adjustable Rod	1
6		Hex Bolt M16x90	3
7		Big Flat Washer Ø16	6
8		U style Bolt	4
9		Nylock Nut M16	4

10	End cap	7
11	Flat Washer Ø12	2
12	Handle Grip	1
13	Hex Bolt M6x30	1
14	Handle	1
15	Nylock Nut M6	1
16	Big Flat Washer Ø12	1
17	Outside Sleeve	1
18	Inside Sleeve	1
19	Hex Bolt M12x60	1
20	Frame	1
21	Bearing	1
22	Thick Flat Washer Ø12	2
23	Threaded Rod	1
24	Nylock Nut M24	2
25	Disc Pressure Plate	2
26	Disc Support Plate	4
27	Short Sleeve	8
28	Bearing Base Assy'	4
29	Carriage Bolt M12x35	16
30	Square Axle Weldment	2
31	Long Sleeve	4
32	Disc	10
33	Wheel Bracket	1
34	Flat Washer Ø20	6
35	Hex Bolt M5x25	2
36	Tire	2
37	Nylock Nut M5	2
38	Flat Washer Ø24	2
39	Hex Bolt M16x80	1