

Macchina

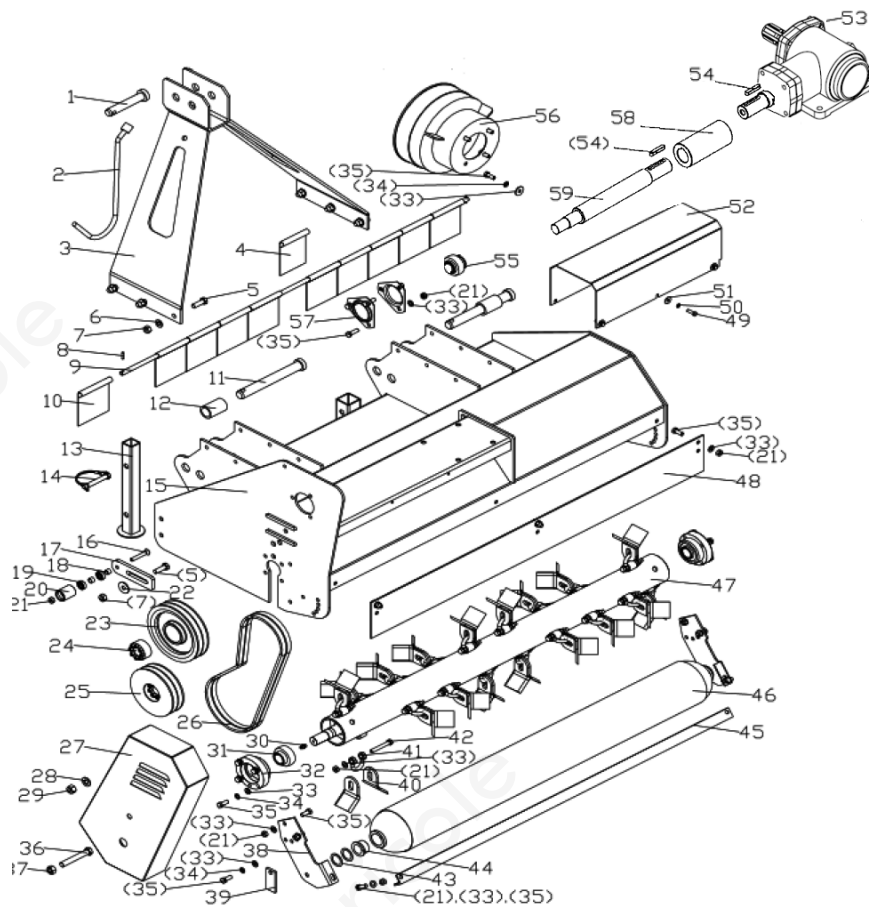
SM



Sezione

1

SM



SerNo	PartNo	Description	Quantity
-------	--------	-------------	----------

1	EFGC125.123	Pin shaft	1
2	EFGC125.124	Hook	1
3	TE-T105.011	Hanging weldment	1
4	EFGC125.114	Fender	1
5	GB/5783-86/M10x30	Bolt M10x30	7
6	GB/97.1-85/10	Plain washer 10	10
7	GB/6184-86/M10	Locking nut M10	7
8	GB/879-86/4x20	Elastic cylindrical pin 4x20	2
9,1	TE-T105.011	Shaft for fender (105)	1

9,2	TE-T115.011	Shaft for fender (115)	1
9,3	TE-T125.011	Shaft for fender (125)	1
10	EFGC125.113	Fender	10
11	EFGC125.109	Pin shaft weldment	2
12	EFGC125.108	Spacer	2
13	EFGC125.111	Supporting frame	1
14	TE-T105.102	Pin 10x70	1
15,1	TE-T105.012	The cover weldment (105)	1
15,2	TE-T125.012	The cover weldment (125)	1
15,3	TE-T115.012	The cover weldment (115)	1
16	GB/2673-86/M8x50	Hex.head bolt M8X50	1
17	TE-T105.115	Tension plate	1
18	TE-T105.117	Sleeve	2
19	GB/276-94/608	Bearing 608	2
20	TE-T105.116	Tension roller	1
21	GB/6184-86/M8	Locking nut M8	30
22	GB/96-85/10	Plain washer 10	1
23	TE-T105.113	Big Belt Pulley	1
24	TE-T105.114	Swellable sleeve	2
25	TE-T105.118	Small belt ptlley	1
26	GB/1154-97/SPA970-980	Strap SPA970-980	2
27	TE-T105.016	Belt cover	1
28	GB/97.1-85/12	Plain washer 12	1
29	GB/6184-86/M12	Locking nut M12	1
30	GB/1152-89/M6	Oil cup M6	2
31	UC205	Bearing	2
32	EFGB125.107	Flange	2
33	GB/97.1-85/10	Plain washer 10	10
34	GB/93-87/10	Spring washer 10	4
35	GB/5783-86/M10x30	Bolt M10X30	7
36	GB/5783-86/M12x80	Bolt M12X80	1
37	GB/6170-86/M12	Nut M12	1
38,1	TE-T105.013-1	Supporting for roller Right	1
38,2	TE-T105.013-2	Supporting for roller Left	1
39	TE-T105.119	Fender	1
40	TE-T105.110	Blade	36
41	TE-T105.109	Blade base	18
42	GB/5782-86/M8x55	Bolt M8x55	18
43	TE-T105.108	Washer	4

44	TE-T105.107	Bushing	2
45,1	TE-T105.106	Mud shield (105)	1
45,2	TE-T115.106	Mud shield (115)	1
45,3	TE-T125.106	Mud shield (125)	1
46,1	TE-T105.014	Roller weldment (105)	1
46,2	TE-T115.014	Roller weldment (115)	1
46,3	TE-T125.014	Roller weldment (125)	1
47,1	TE-T105.015	Blade axle weldment (105)	1
47,2	TE-T115.015	Blade axle weldment (115)	1
47,3	TE-T125.015	Blade axle weldment (125)	1
48	TE-T105.105	Fender (105)	1
49	GB/5783-86/M6x20	Bolt M6X20	6
50	GB/93-87/6	Spring washer 6	6
51	GB/96-85/6	Plain washer 6	6
52	TE-T105.111	Cover	1
53		Gearbox	1
54	GB/1096-2003/8x40	Key 8x40	1
55	UC205	Flange UC205	1
56	FM150.120	Guard shade	1
57	TE-T105.112	Bearing	2
58	TE-T105.212	Connector	1
59	TE-T105.213	Shaft	1