

Macchina

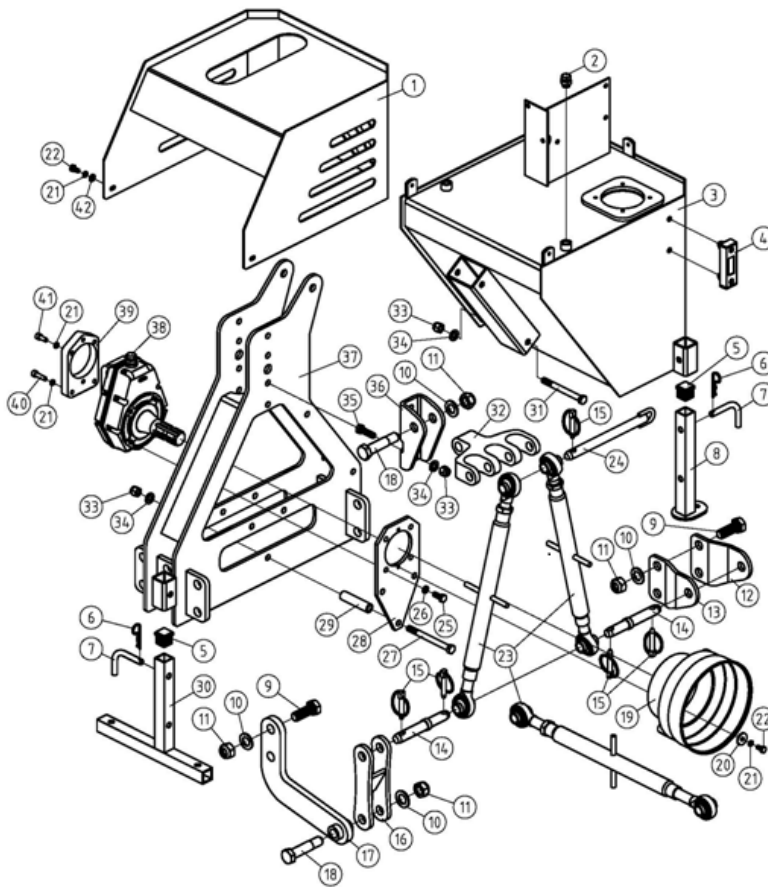
AM



Sezione

1

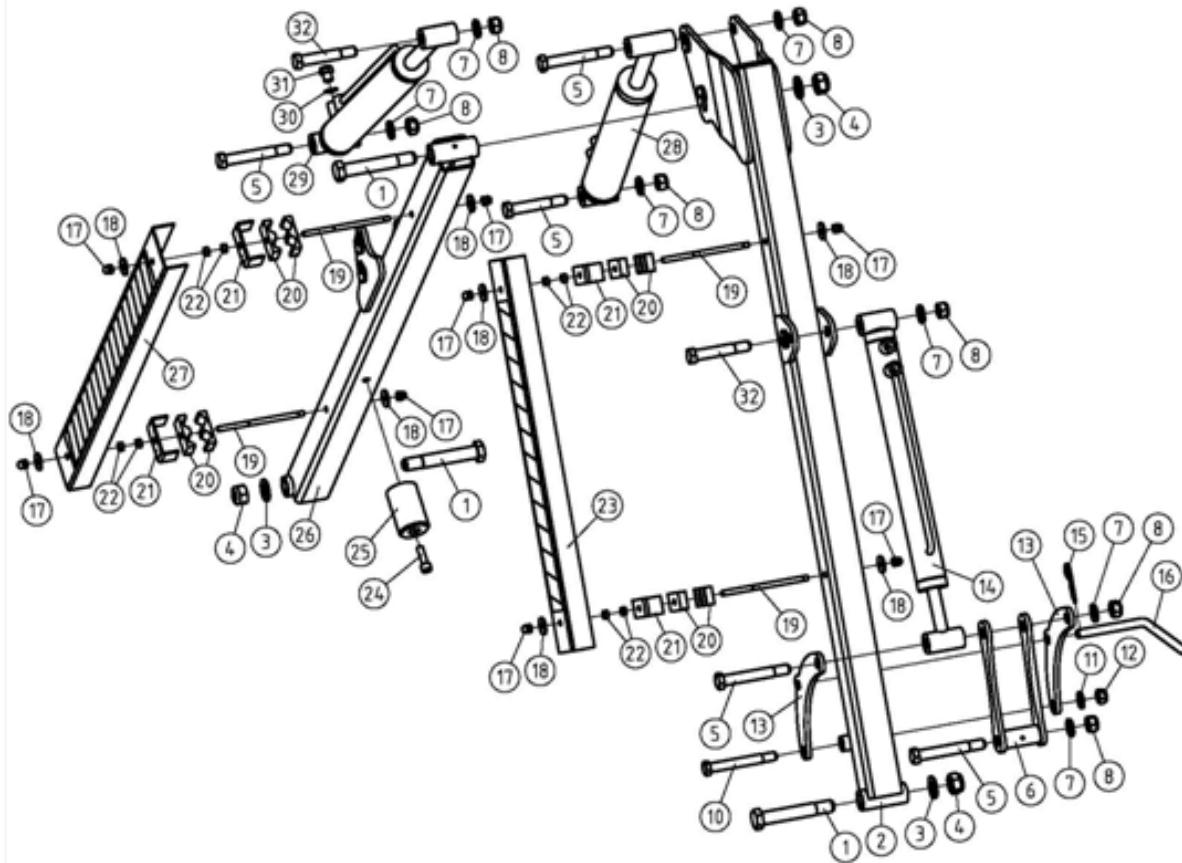
AM_part1



SerNo	PartNo	Description	Quantity
1	AM60.03.016	Oil tank cover	1
2	CBW-00-011	Oil plug	2
3	AM60.03.017Y-1	Oil tank	1
4	JB7941.2-B80	Oil level	1
5	EF100.00.117	Rubber cover	3
6	1G-150-01-142	R pin	4
7	EF100.00.111A	Support peg	3
8	AM60.03.018	Bearing foot	2
9	GB5783-M20X55	Screw M20*55	4

10	GB97.1-20	Plain washer 20	9
11	DIN985-M20	Nut M20	9
12	AM60.03.114	Bottom Mount board A	1
13	AM60.03.115	Bottom Mount board B	1
14	AM60.03.113	Pin shaft	2
15	200.56.011	Lock pin	5
16	AM60.03.021	Hanging Weldment	1
17	AM60.03.022	L Shape Plate	1
18	GB27-M20X95	Screw M20*95	2
19	FM120.00.199	PTO cover	1
20	GB96.1-8	Plain washer8	10
21	GB93-8	Spring washer 8	5
22	GB5783-M8X16	Screw M8*16	5
23	AM60.03.020	Adjust plate	3
24	AM60.03.019	Upper mount board weldment	1
25	GB5786-M10X1.25X25	Screw M10*25	4
26	GB93-10	Washer10	4
27	GB5782-M12X130	Screw M12*130	3
28	AM60.03.102	Fixed board for gear box	1
29	AM60.03.101	Sleeve	3
30	AM60.03.010	Bearing foot	1
31	GB5782-M12X120	Screw M12*120	2
32	AM60.03.112	Triple link	1
33	DIN985-M12	Nut M12	3
34	GB97.1-12	Plain washer12	8
35	GB5783-M12X40	Screw M12*40	3
36	AM60.03.111	Upper mount fram	1
37	AM60.03.011	Fram weldment	1
38	AM60.03.012	Pump	1
39	AM60.04.102	Outer Support for Pump	1
40	GB70.1-M8X30	Screw M8*30	2
41	GB70.1-M8X20	Screw M8*20	2
42	GB97.1-6	Plain washer 6	4

AM_part2



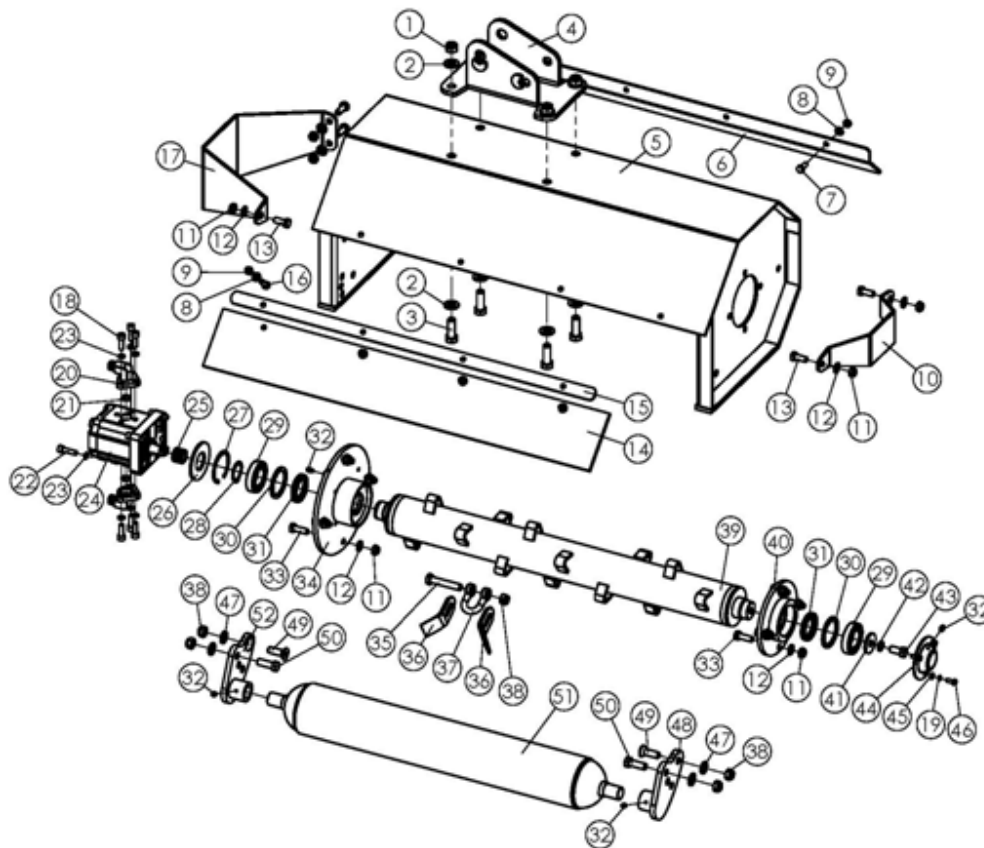
SerNo	PartNo	Description	Quantity
1	GB27-M20X130	Bolt M10X130	3
2	AM60.03.014	Small arm weldment	1
3	GB97.1-20	Plain washer	9
4	DIN985-M20	Nut M20	9
5	GB27-M16X120	Bolt M16X120	4
6	AM60.03.013	Push and pull board	1
7	GB97.1-16	Plain washer	7
8	DIN985-M16	Nut	7
10	GB27-M14X120	Bolt	1
11	GB97.1-14	Plain washer	1
12	DIN985-M14	Nut	1
13	AM60.03.103	Swing arm	2
14	AM60.04.016-1	Swing arm cylinder	1
15	1G-150-01-142	Small R pin	4
16	AM60.03.110	Lock pin	1
17	GB923-M8	Nut M8	8
18	GB96.1-8	Big plain washer	10
19	AM60.03.109	Screw	4
20	AM60-03-105	Cylinder clamp	8

21	AM60.03.106	Press plate	4
22	GB6170-M8	Nut M8	8
23	AM60.03.107	Oil hose cover	1
24	GB70.1-M10X35	Bolt M10X35	1
25	AM60.03.104	Cushion	1
26	AM60.03.015	Large arm weldment	1
27	AM60.03.108	Oil hose cover	1
28	AM60.04.023	Cylinder	1
29	AM60.04.015	Cylinder	1
30	JB982-14	Combination washer	1
31	AM60.04.090	Breather	1
32	GB27-M16X100	Bolt	3

Sezione

3

AM_part3



SerNo	PartNo	Description	Quantity
1	DIN985-M14	Nut	4
2	GB97.1-14	Washer	8
3	GB5783-M14X40	Bolt	4
4	AM60.02.017	Linkage weldment	1
5,1	AM60.02.010	Cover AM 60	1

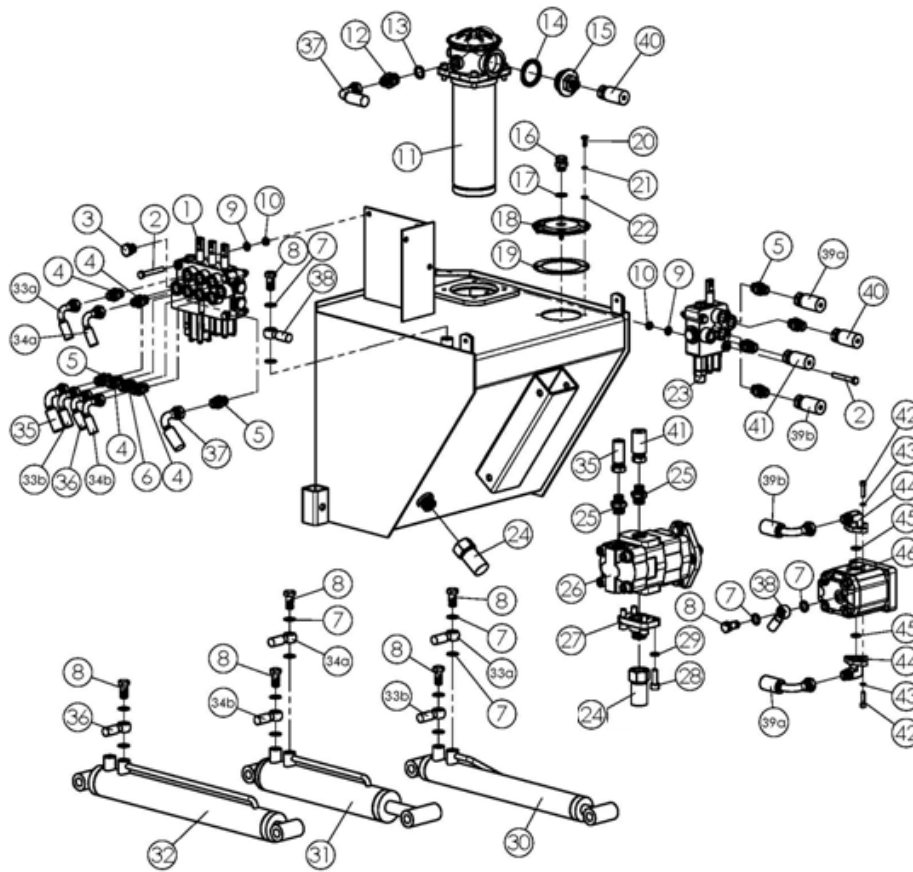
5,2	AM80.02.010	Cover AM 80	1
5,3	AM100.02.010	Cover AM 100	1
6,1	AM60.02.110	Front cover plate AM 60	1
6,2	AM80.02.110	Front cover plate AM 80	1
6,3	AM100.02.110	Front cover plate AM 100	1
7	GB5783-M8X20	Bolt	4
8	GB97.1-8	Plain washer	8
9	DIN985-M8	Nut	8
10	AM60.02.108	Protect cover	1
11	DIN985-M10	Nut	13
12	GB97.1-10	Washer	13
13	GB5783-M10X25	Bolt	5
14,1	AM60.02.112	Rubber cover AM 60	1
14,2	AM80.02.112	Rubber cover AM 80	1
14,3	AM100.02.112	Rubber cover AM 100	1
15,1	AM60.02.111	Press plate AM 60	1
15,2	AM80.02.111	Press plate AM 80	1
15,3	AM100.02.111	Press plate AM 100	1
16	GB5783-M8X25	Bolt	4
17	AM60.02.103	Motor protect cover	1
18	GB70.1-M8X25	Bolt	6
19	GB93-6	Spring washer	3
20	AM60.02.104-2	Motor lingage	2
21	GB3452.1-G-23.6X2.65	Washer	2
22	GB70.1-M8X30	Bolt	4
23	GB93-8	Washer	10
24	HPLMA220BMLE5E5Boo	Hydraulic motor	1
25	AM60.02.102	key engine	1
26	AM60.02.141	Circle	1
27	GB893.1-62	Seal circle	1
28	GB894.1-35	Oil seal circle	1
29	GB276-6007	Bearing 6007	2
30	AM60.02.105	Oil seal circle	2
31	GB13871-FB-40X55X8	Oil seal circle	2
32	GB1152-M6	Grease niple	4
33	GB5783-M10X30	Bolt	8
34	AM60.02.011	Bearing seat	1
35	GB5782-M12X60	Bolt	16
36	AM60.02.106	Blade	32

37	AM60.02.107	Blade lock	16
38	DIN985-M12	Bolt	20
39,1	AM60.02.012	Blade axle AM 60	1
39,2	AM80.02.012	Blade axle AM 80	1
39,3	AM100.02.012	Blade axle AM 100	1
40	AM60.02.013	Bearing seat	1
41	MZ105.115	Washer	1
42	GB93-12	Spring washer	1
43	GB5783-M12X25	Bolt	1
44	AM60.02.109	End cover	1
45	GB97.1-6	Plain washer	3
46	GB5783-M6X16	Bolt	3
47	GB97.1-12	Washer	4
48	AM60.02.014	Roller seat L	1
49	GB70.3-M12X30	Bolt	2
50	GB5783-M12X35	Bolt	2
51,1	EFG120.012-AM60	Roller AM 60	1
51,2	EFG120.012-AM80	Roller AM 80	1
51,3	EFG120.012-AM100	Roller AM 100	1
52	AM60.02.016	Roller seat R	1

Sezione

4

AM_part4



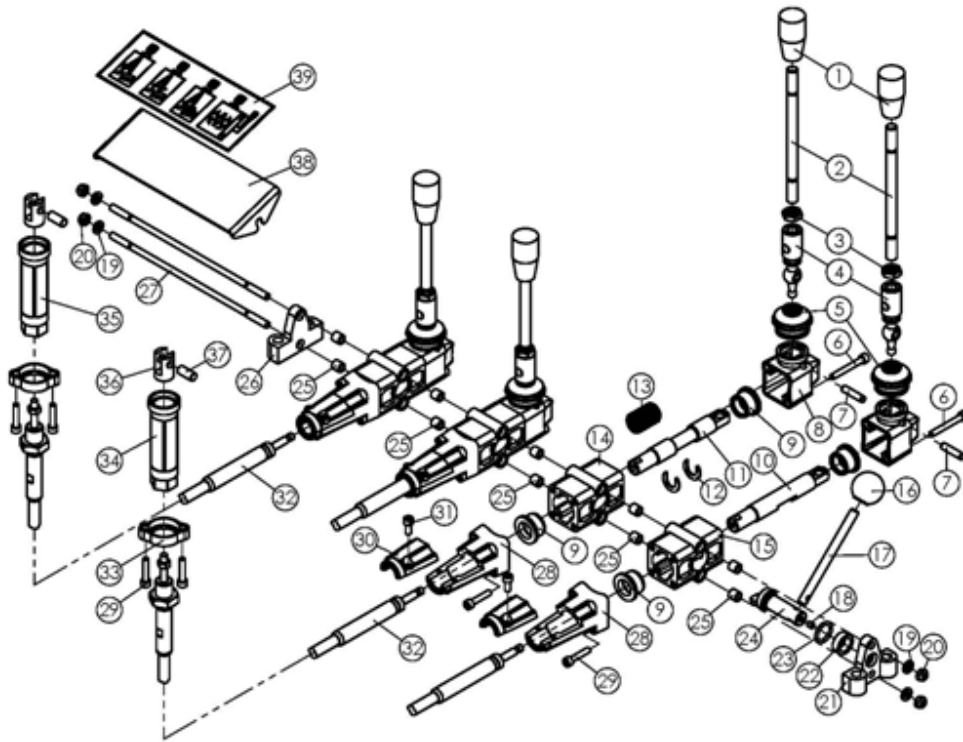
SerNo	PartNo	Description	Quantity
1	AM60.04.022Y	Valve	1
2	GB5782-M8X60	Bolt	5
3	ZBT32001.3-ZG3/8-19"	Connector	1
4	MBH-8.08.302Y	Connector	3
5	1CB-18-06WD	Connector	6
6	MBH-8.08.305Y	Connector	2
7	JB982-14	Washer	14
8	GB3541-M14X1.5	bolt	6
9	GB97.1-8	washer	5
10	DIN985-M8	nut	5
11	RFA-100X30L	Oil fiter	1
12	1CM-18WD	Connector	1
13	GB3452.1-G-18X2.65	Combination washer	1
14	JB982-42	Combination washer	1
15	AM60.04.104-1	Connector	1
16	CBW-00-011	Connector	1
17	JB982-16	Washer	1
18	MBH-8.08.117	Combination washer	1
19	MBH-8.08.118	Washer	1

20	GB5783-M6X12	bolt	4
21	GB93-6	Washer	4
22	GB97.1-6	nut	4
23	AM60.04.017Y	Valve	1
24	AM60.04.011-1	Hydraulic Pipe	1
25	1CB-18-08WD	Connector	2
26	CBHY-G25/F4.5-ATP	PUMP	1
27	AM60.04.101-1	Connector	1
28	GB70.1-M10X30	Bolt	4
29	GB93-10	Washer	4
30	AM60.04.016-1	Cilynder	1
31	AM60.04.023	Cilynder	1
32	AM60.04.015	Cilynder	1
33	AM60.04.020	Hydraulic Pipe	2
34	AM60.04.018	Hydraulic Pipe	2
35	AM60.04.025Y	Hydraulic Pipe	1
36	AM60.04.019	Hydraulic Pipe	1
37	AM60.04.021Y	Hydraulic Pipe	1
38	AM60.04.013	Hydraulic Pipe	1
39	AM60.04.014	Hydraulic Pipe	2
40	AM60.04.024Y	Hydraulic Pipe	1
41	AM60.04.012Y	Hydraulic Pipe	1
42	GB70.1-M8X25	bolt	6
43	GB93-8	Washer	6
44	AM60.02.104-2	connector	2
45	GB3452.1-G-23.6X2.65	Washer	2
46	HPLMA220BMLE5E5Boo	Hydraulic Motor	1

Sezione

5

AM_part5new



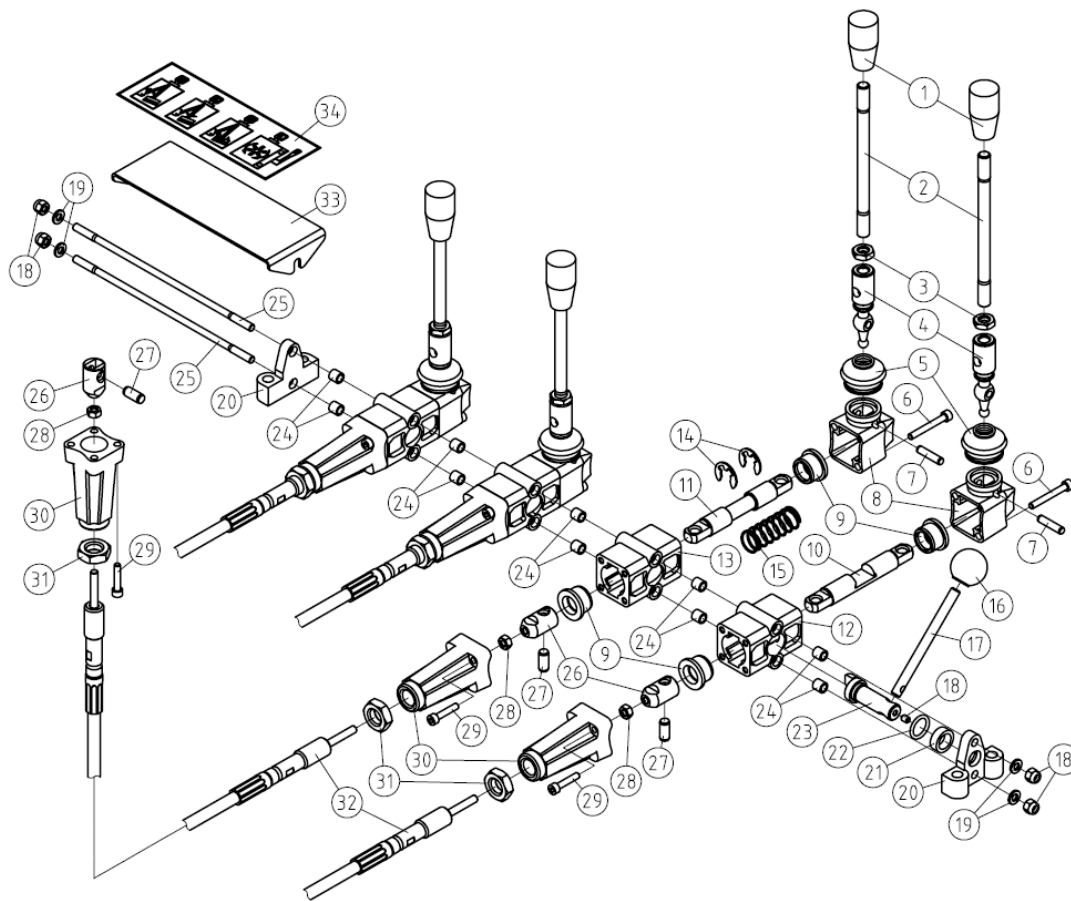
SerNo	PartNo	Description	Quantity
1	BH-6.07.091	Handle	4
2	MBH-6.08.108	Joy sticker	4
3	GB6172.1-M10	Nut	4
4	AM60.01.120	Director	4
5	AM60.01.119	Cover	4
6	GB70.1-M5X40	Bolt	8
7	GB119.1-B-6X26	Pin	4
8	AM60.01.114	Up cover	4
9	AM60.01.109	Bush	8
10	AM60.01.118A	Pull pole	1
11	AM60.01.111A	Pull pole	3
12	AM60.01.122	Circle	6
13	AM60.01.110	Spring	3
14	AM60.01.113	Valve Piece	3
15	AM60.01.117	Valve Piece with Bolt hole	1
16	AM60.04.092	Handle	1
17	AM60.01.107	Lock handle	1
18	GB78-M5X8	Fix seat	1
19	GB97.1-6	Plain washer	4

20	DIN985-M6	Nut	4
21	AM60.01.105	Brush	1
22	AM60.01.104	O - ring	1
23	GB3452.1-G-16X2.65	Lock pin	1
24	AM60.01.106	Lock washer	1
25	AM60.01.103	Screw	10
26	AM60.01.102	Brush	1
27	AM60.01.101	Pin	2
28	AM60.01.112A	Down cover	4
29	GB70.1-M5X25	Bolt	16
30	AM60.01.123A	Up cover	4
31	GB70.1-M5X12	bolt	8
32	AM60.01.011A	Cable	4
33	AM60.01.201	Cable connector	4
34	AM60.01.202	connector	3
35	AM60.01.203	connector	1
36	AM60.01.204	Lock	4
37	AM60.01.205	Pin	4
38	AM60.01.115	Sticker plate	1
39		Sticker	1

Sezione

6

AM_part5old



SerNo	PartNo	Description	Quantity
-------	--------	-------------	----------

1	BH-6.07.091	Handle	4
2	AM60.01.121	Joy sticker	4
3	GB6172-86	Nut	4
4	AM60.01.120	Director	4
5	AM60.01.119	Cover	4
6	GB70.1-2000	Bolt	8
7	GB119-86	Pin	4
8	AM60.01.114	Up cover	4
9	AM60.01.109	Bush	4
10	AM60.01.118	Pull pole	1
11	AM60.01.111	Pull pole	3
12	AM60.01.117	Valve Piece with Bolt hole	1
13	AM60.01.113	Valve Piece	3
14	AM60.01.122	Circle	8
15	AM60.01.110	Spring	4
16	AM60.04.092	Handle	1
17	AM60.01.107	Lock handle	1
18	GB6182-86	Nut	4
19	GB97.1-85	Plain washer	4

20	AM60.01.105	Fix seat	2
21	AM60.01.104	Brush	1
22	GB3452.1-82	O - ring	1
23	AM60.01.106	Lock pin	1
24	AM60.01.103	Lock washer	10
25	AM60.01.101	Screw	2
26	AM60.01.108	Connector	4
27	GB119-86	Pin	4
28	GB6170-86	Nut	4
29	GB70.1-2000	Bolt	8
30	AM60.01.112	Down cover	4
31	GB6182-86	Nut	4
32	AM60.01.011	Cable	4
33	AM60.01.115	Sticker plate	1
34		Sticker	1