

Macchina

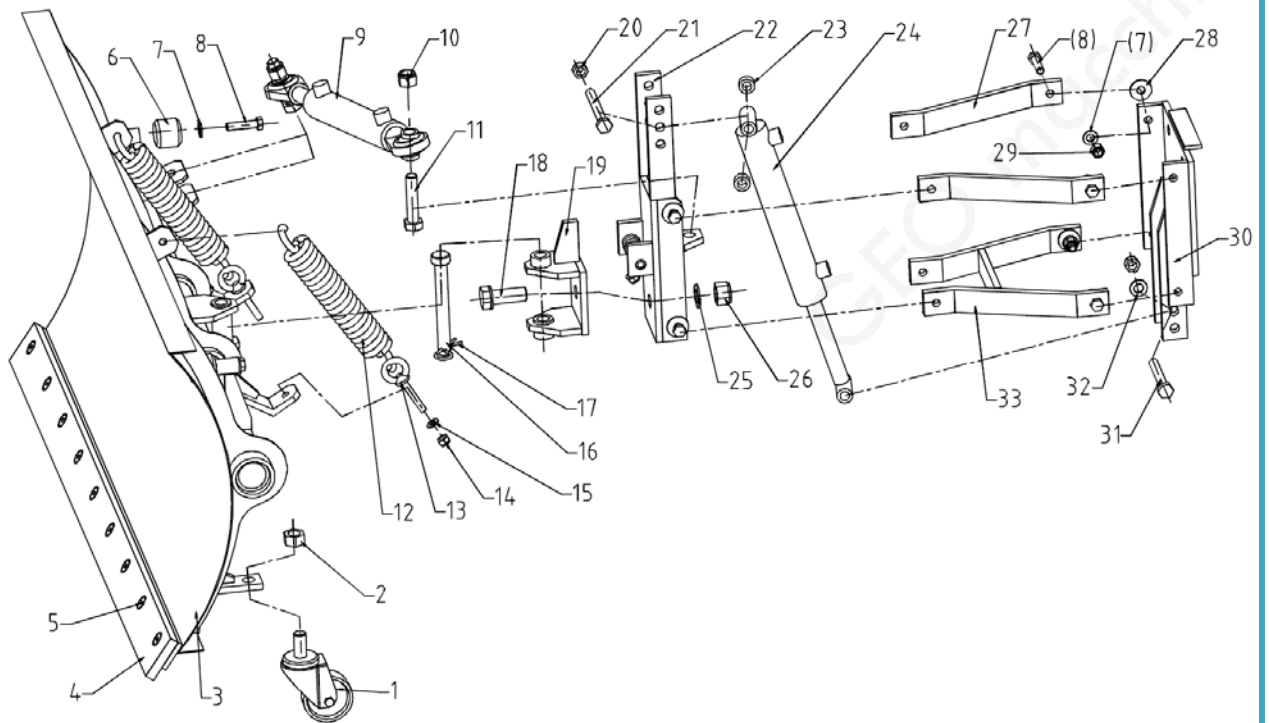
SPL



Sezione

1

SPL



SerNo	PartNo	Description	Quantity
1	SB130.050	WHEEL ASSEMBLY	2
2	GB6170-M12	NUT M12	2
3	SB130.011	MAIN BODY	1
4,1	SB130.101	SPL 130 Rubber	1
4,2	SB130.101.2	SPL 130 Teflon Plate	1
5	GB/T70.3-M10x25	SCREW M10x25	9
6	SB130.102	BUMPER	2
7	GB97.1-12	PLAIN WASHER 12	10
8	GB5782-M12x50	BOLT M12x50	10

9	SB130.040	CYLINDER,SWING	1
10	GB/T889.1-M18	LOCK NUT M18	2
11	GB5782-M18x80	BOLT M18x80	2
12	SB130.103	SPRING	2
13	SB130.104	EYE SCREW	2
14	GB/T889.1-M10	LOCK NUT M12	2
15	GB97.1-10	PLAIN WASHER 10	2
16	SB130.107	PIN	1
17	RPN4	HAIR PIN 4	1
18	GB5782-M22x60	BOLT M22x60	1
19	SB130.015	SWIVEL	1
20	GB/T889.1-M14	LOCK NUT M14	2
21	GB5782-M14x130	BOLT M14x130	1
22	SB130.013	CONNECTING BRACKET	1
23	SB130.106	SPACER	2
24	SB130.041	CYLINDER,LIFT	1
25	GB97.1-22	PLAIN WASHER 22	2
26	GB/T889.1-M22	LOCK NUT M22	1
27	SB130.105	LINKAGE PLATE	2
28	GB96-12	WASHER 12	8
29	GB/T889.1-M12	LOCK NUT M12	8
30	SB130.012	MOUNTING BRACKET	1
31	GB5782-M14x110	BOLT M14x110	1
32	GB97.1-14	PLAIN WASHER 14	2
33	SB130.014	LINKAGE WELDMENT	1