

Macchina

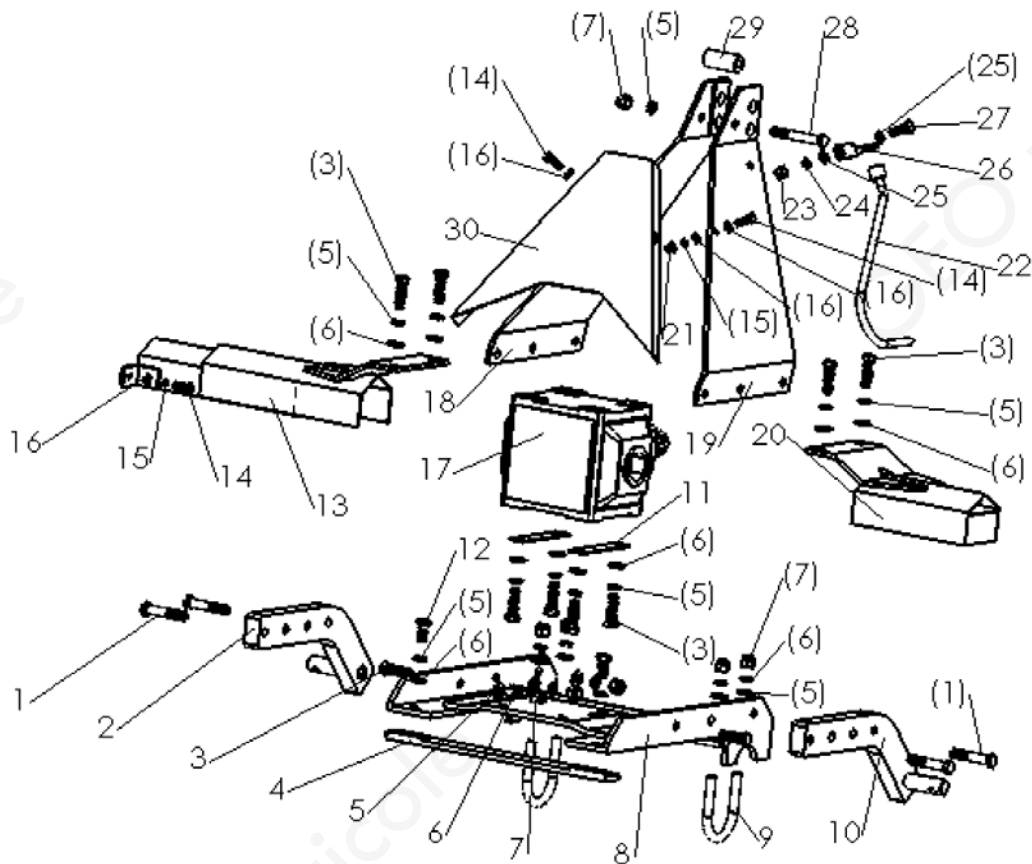
SB



Sezione

1

SB_part1

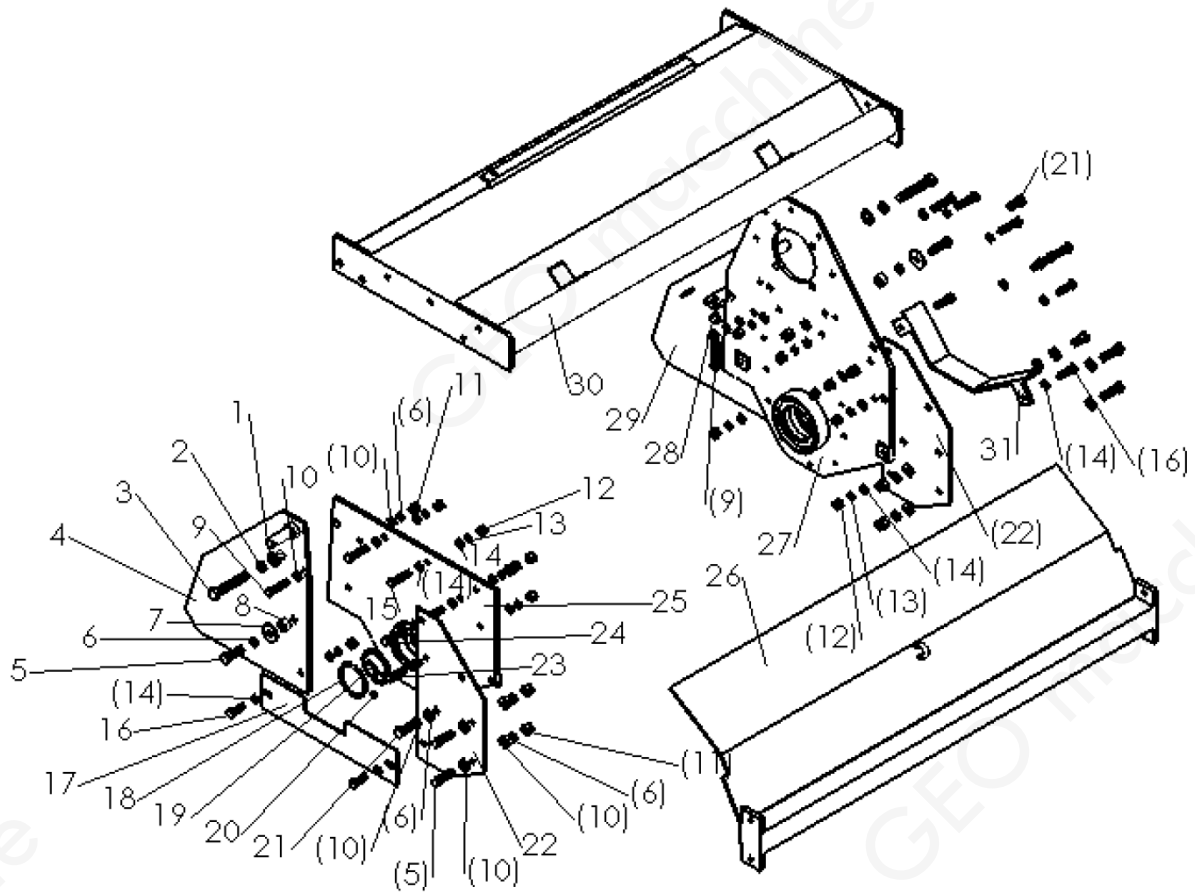


SerNo	PartNo	Description	Quantity
1	GB5782-86	Bolt M12x65	4
2	MZ105.030	Hanging arm weldment (L)	1
3	GB5783-86	Bolt M12x40	2
4	MZ105.107	Connecting plate	1
5	GB97.1-85	Plain washer 12	18
6	GB93-87	Spring washer 12	19
7	GB889-86	Nut M12	11
8	MZ105.031	Frame for gear box	1
9	MZ105.103	U shape bolt	2

10	MZ105.032	Hanging arm weldment (R)	1
11	MZ105.129	Adjusting plate	2
12	GB5783-86	Bolt M12x35	2
13	MZ105.018	Flex pipe combination	1
14	GB5783-86	Bolt M8x25	2
15	GB93-87	Spring washer 8	4
16	GB97.1-85	Plain washer 8	6
17	XH-27J 875	Gearbox	1
18	MZ105.036	Suspension plate weldment (L)	1
19	MZ105.035	Suspension plate weldment (R)	1
20	MZ105.016	En sleeve weldment	1
21	GB889-86	Nut M8	2
22	MZ105.037	Hook	1
23	GB889-86	Nut M10	1
24	GB93-87	Spring washer 10	1
25	GB97.1-85	Plait washer	2
26	MZ105.131	Supporter for hook	1
27	GB5783-86	Bolt M10x30	1
28	GB5782-86	Bolt M12x85	1
29	MZ105.130	Sleeve	1
30	MZ105.101	Cover board	1

Sezione

2



SerNo	PartNo	Description	Quantity
-------	--------	-------------	----------

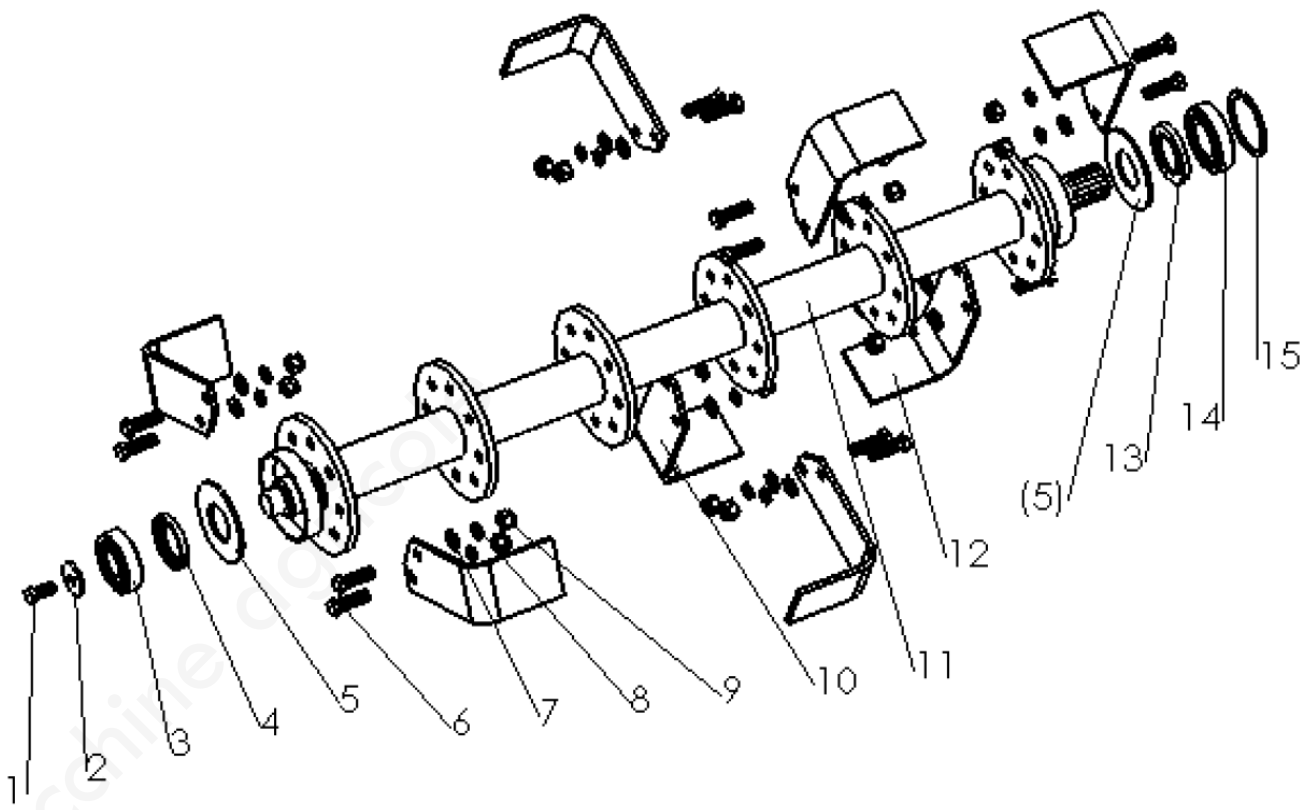
1	GB97.1-85	Plain washer 14	2
2	GB93-87	Spring washer 14	2
3	GB5783-86	Bolt M14x80	2
4	MZ105.014	Rear cover (L)	1
5	GB5783-86	Bolt M14x80	6
6	GB93-87	Spring washer 14	11
7	GB96-85	Plait washer 14	2
8	MZ105.106	Sleeve	2
9	GB5783-86	Bolt M12x50	2
10	GB97.1-85	Plait washer 12	14
11	GB889-86	Nut M12	7
12	GB889-86	Nut M10	14
13	GB93-87	Spring washer 10	14
14	GB97.1-85	Plait washer 10	28
15	GB5783-86	Bolt M10x40	6
16	GB5783-86	Bolt m10x30	4
17	MZ105.105	Lower connecting	1
18	GB983.1-86	Retaining ring 72	1
19	MZ105.116	Dustproof cover	1

20	GB1152-89	Grease cup M6	1
21	GB5783-86	Bolt M14x80	3
22	MZ105.104	Front connectong plate	2
23	GB5783-86	Bolt M14x80	2
24	GB5783-86	Bolt M14x80	2
25	MZ105.021	Bracket weldment (L)	1
26,1	MZ105.011	Inner cover weldment 105	1
26,2	MZ125.011	Inner cover weldment 125	1
26,3	MZ145.011	Inner cover weldment 145	1
26,4	MZ165.011	Inner cover weldment 165	1
27	MZ105.033	Bracket weldment (R)	1
28	GB170-86	Nut6 M12	2
29	MZ105.013	Rear cover (R)	2
30	MZ105.029	Cover board weldment	1
31	MZ105.012	Guard weldment	1

Sezione

3

SB_part3



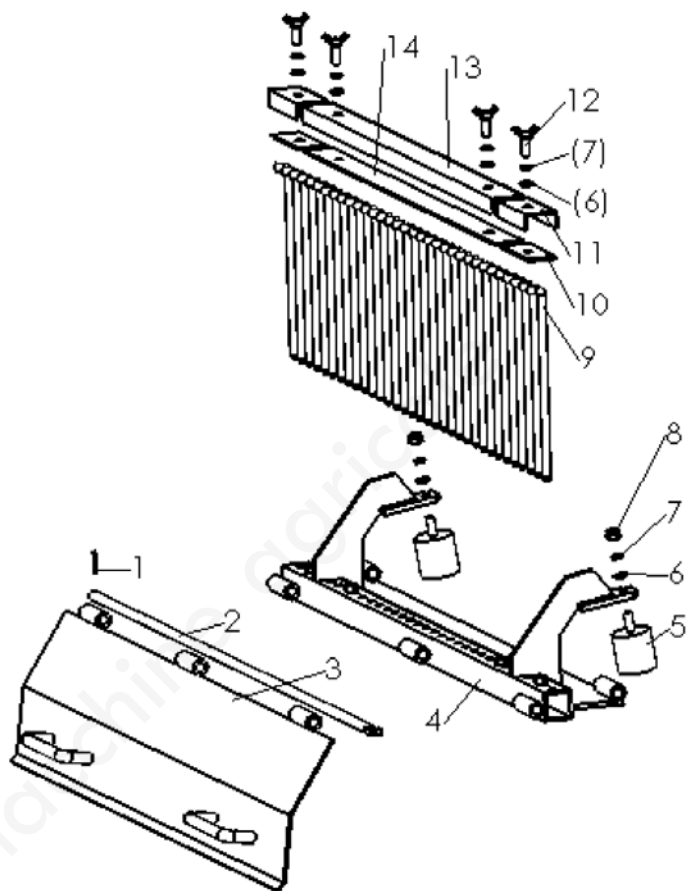
SerNo	PartNo	Description	Quantity
1	GB5783-86	Bolt M12x25	1
2	MZ105.115	Lock washer	1

3	GB276-94	Bearing 6306	1
4	GB13871-92	Oil seal FB45x65x8	1
5	MZ105.118	Sealed felt ring	2
6	GB5783-86	Bolt M12x40	40
7	GB97.1-85	Plain washer 12	40
8	GB93-87	Sprint lock washer 12	40
9	GB889-86	Nut M12	40
10	MZ105.119	Right bend blade	10
11,1	MZ105.028	Blade shaft weldment 105	1
11,2	MZ125.028	Blade shaft weldment 125	1
11,3	MZ145.028	Blade shaft weldment 145	1
11,4	MZ165.028	Blade shaft weldment 165	1
12	MZ105.120	Left bend blade	10
13	GB13871-92	Oil seal FB50x72x8	1
14	GB276-94	Bearing 6209	1
15	GB893.1-86	Retaining ring 85	1

Sezione

4

SB_part4



SerNo PartNo

Description

Quantity

1 GB91-86

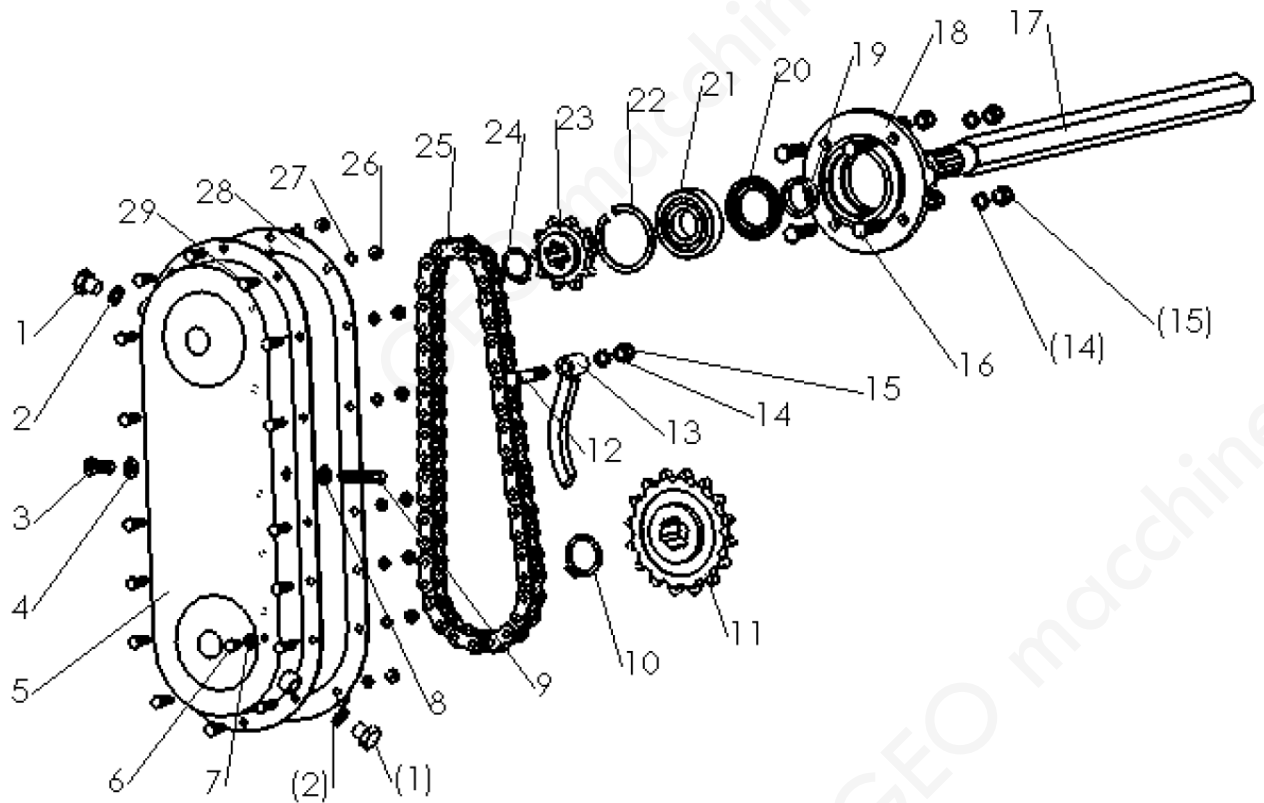
Split pin 2.5x20

1

2,1	MZ105.110	Rod for hanging rear cover 105	1
2,2	MZ125.110	Rod for hanging rear cove 125	1
2,3	MZ145.110	Rod for hanging rear cove 145	1
2,4	MZ165.110	Rod for hanging rear cove 165	1
3,1	MZ105.025	Rear cover 105	1
3,2	MZ125.025	Rear cover 125	1
3,3	MZ145.025	Rear cover 145	1
3,4	MZ165.025	Rear cover 165	1
4,1	MZ105.026	Fram for tooth 105	1
4,2	MZ125.026	Fram for tooth 125	1
4,3	MZ145.026	Fram for tooth 145	1
4,4	MZ165.026	Fram for tooth 165	1
5	MZ105.019	Shock absorption block	2
6	GB97.1-85	Plain washer 10	6
7	GB93-87	Spring lock washer 10	6
8	GB889-86	Nut M10	2
9	MZ105.117	Tooth 105	
10	MZ105.112	Short rubber pad	2
11	MZ105.118	Presse plate (short)	1
12	MZ105.107	Bolt with gripe	4
13,1	MZ105.109	Presse plate (long) 105	1
13,2	MZ125.109	Presse plate (long) 125	1
13,3	MZ145.109	Presse plate (long) 145	1
13,4	MZ165.109	Presse plate (long) 165	1
14,1	MZ105.111	Long rubber pad 105	1
14,2	MZ125.111	Long rubber pad 125	1
14,3	MZ145.111	Long rubber pad 145	1
14,4	MZ165.111	Long rubber pad 165	1

Sezione

5



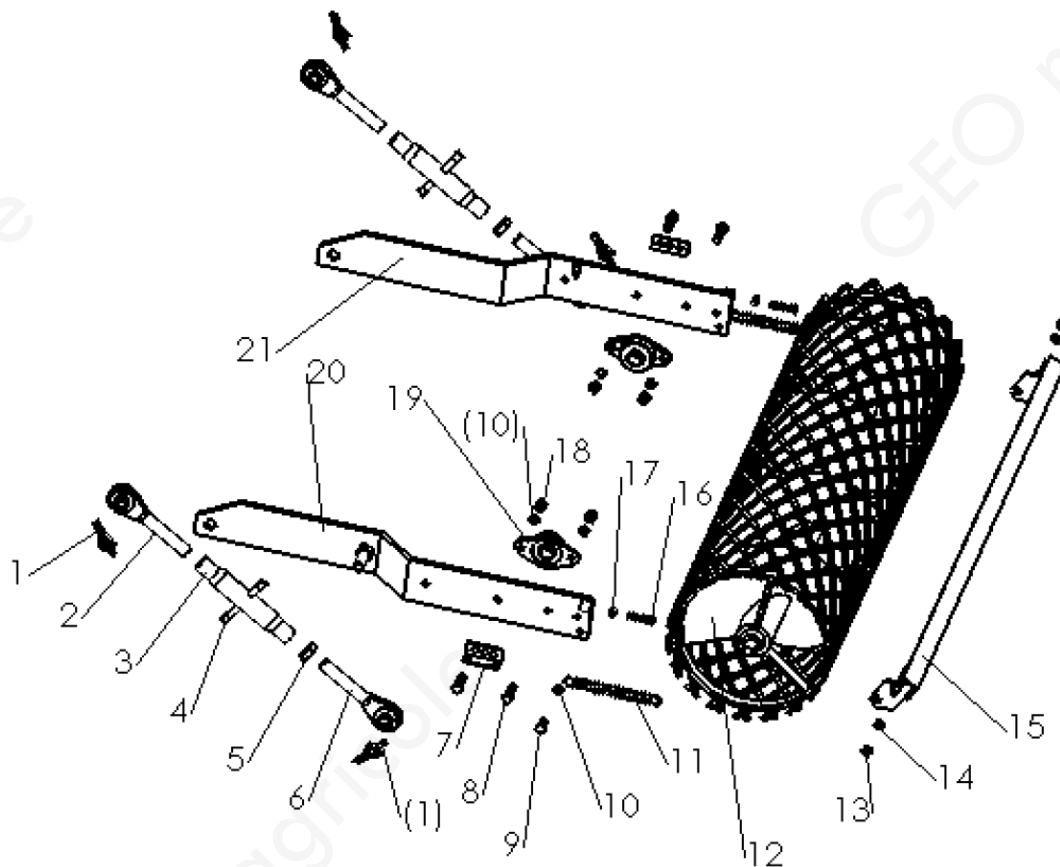
SerNo	PartNo	Description	Quantity
1	GB5786-86	Bolt M16x1.5x8	2
2	12.37.149	Assembled seal ring	2
3	GB5783-86	Bolt M12x35	1
4	GB97.1-85	Plain washer 12	1
5	MZ105.034	Chian guard weldment	1
6	GB5783-86	Bolt M10x20	1
7	12.37.219	Washer	1
8	GB6172-86	Nut M12	1
9	GB85-88	Looking nut M12x50	1
10	GB894.1-86	Retaining ring 42	1
11	MZ105.122	Driven chain whell	1
12	GB5782-86	Bolt M12x65	1
13	MZ105.027	Tension plate	1
14	GB93-87	Spring lock washer 12	5
15	GB889-86	Nut M12	5
16	GB5783-86	Bolt M12x40	4
17	Mz105.106	Transmission shaft	1
18	MZ105.128	Bearing seat	1
19	MZ105.124	Oil seal packet	1

20	GB13871-92	Oil seal FB45x72x8	1
21	GB276-94	Bearing 6307	1
22	GB893.186	Retaining ring 80	1
23	MZ105.127	Driving chain wheel	1
24	GB894.1-86	Retaining ring 32	1
25	GB1243.1-83	Sleeve-roller chain	1
26	GB889-86	Nut M8	16
27	GB93-87	Spring lock washer 8	16
28	MZ105.121	Cork pad	1
29	GB5783-86	Bold M8x25	16

Sezione

6

SB_part6

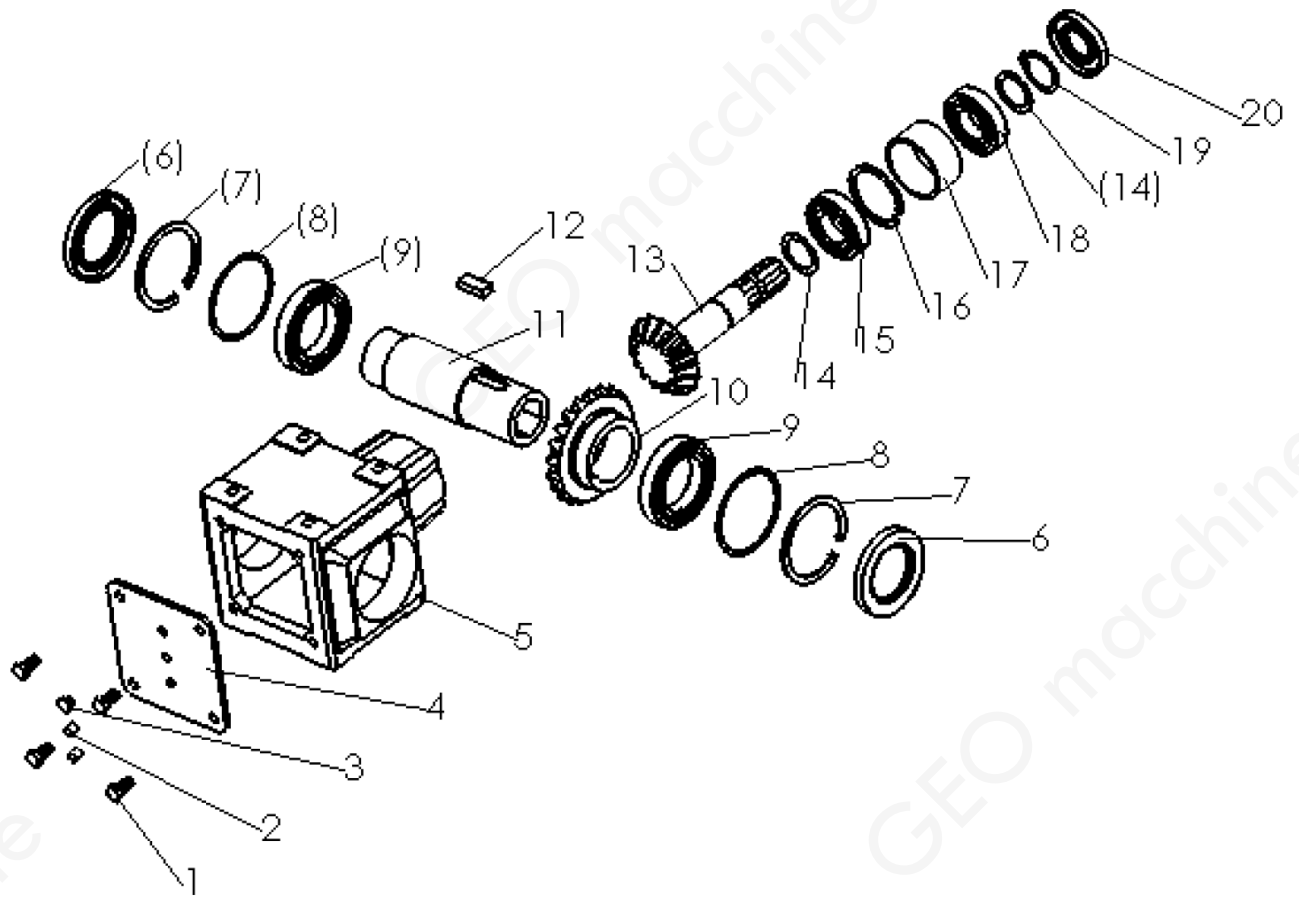


SerNo	PartNo	Description	Quantity
1	200.56.011	Lock pin	4
2	MZ105.039	Joint weldment (L)	2
3	MZ105.169	Screw tube	2
4	MZ105.170	Turn buckle	2
5	GB6172-86	Nut M22	2
6	MZ105.040	Joint weldment (R)	2
7	MZ105.113	Bracket for sprint	2

8	GB5783-86	Bolt 12x45	4
9	GB5783-86	Bolt 12x45	2
10	GB93-87	Spring lock washer 12	6
11	MZ105.114	Pulling spring	2
12,1	MZ105.023	Roller weldment 105	1
12,2	MZ125.023	Roller weldment 125	1
12,3	MZ145.023	Roller weldment 145	1
12,4	MZ165.023	Roller weldment 165	1
13	GB889-86	Lock nut M10	2
14	GB97.1-85	Plain washer 10	2
15,1	MZ105.022	Frame 105	1
15,2	MZ125.022	Frame 125	1
15,3	MZ145.022	Frame 145	1
15,4	MZ165.022	Frame 165	1
16	GB5783-86	Bolt 12x45	2
17	GB6170-86	Nut M10	2
18	GB889-86	Lock nut M12	4
19	GB7810-87	Bearing 90205	2
20	MZ105.020	Bracket (R)	1
21	MZ105.015	Bracket (L)	1

Sezione

7



SerNo	PartNo	Description	Quantity
-------	--------	-------------	----------

1	GB5783-86	Bolt M10x20	4
2		Plug 3/8"GAS	2
3	0.107.7100.00	Vent plug	1
4	0.267.1300.00	Cover	1
5	0.267.0500.00	Case	1
6		Oil seal 60x95x10	2
7	GB893.1-86	Retaining ring for hole 95	2
8		Adjusting shim85.3x94.7	2
9	GB/T276-94	Bearing 6012	2
10	0.267.6000.00	Bevel gear	1
11	0.267.4601.00	Output shaft	1
12	GB1096-79	Key B14x9x35	1
13	0.267.5001.00	Shaf with gear	1
14		Adjusting shim35.3x48	2
15	GB297-84	Bearing 30207	1
16	GB893.1-84	Retaining ring for hole 72	1
17	0.267.7100.00	Sleeve	1
18	GB/T276-94	Bearing 6207	1
19	GB894.1-86	Retaining ring for hole 35	1

