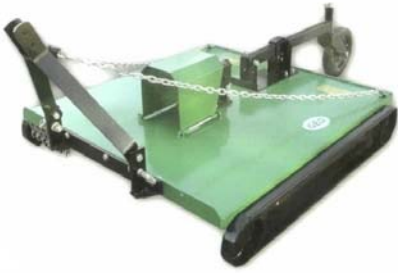


Macchina

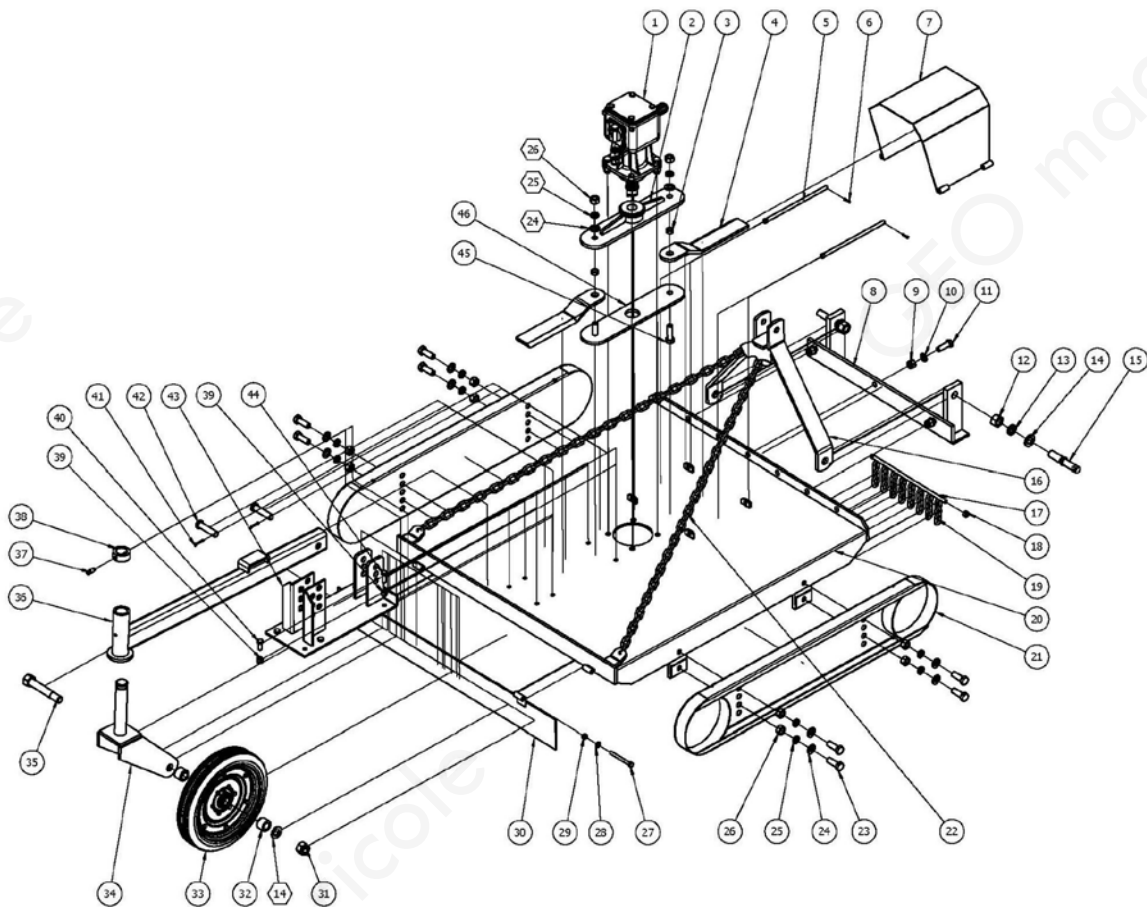
TM



Sezione

1

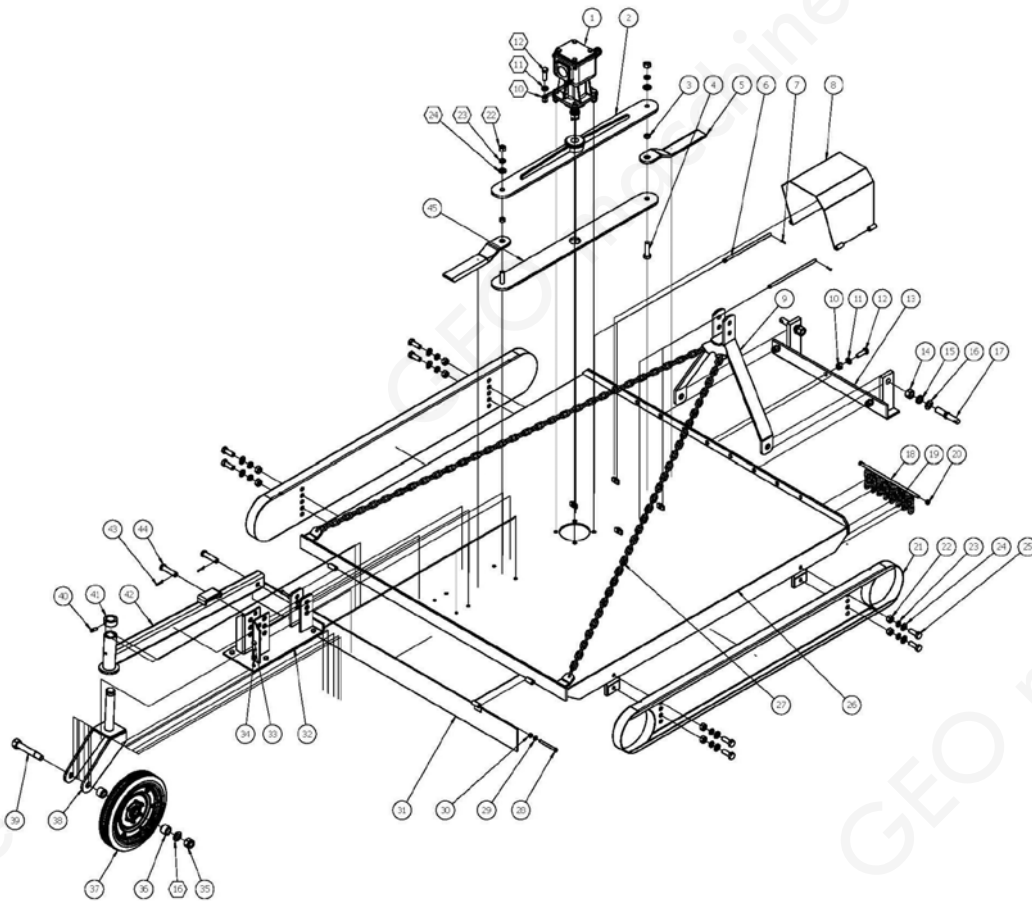
TM120_part1



SerNo	PartNo	Description	Quantity
1	XH30.192Z.01L	gear box	1
2	TM90.00.014	blade support frame	1
3	TM90.180	blade space bushing	2
4	SL140.00.108-1	L=380) blade	2
5	SL140.00.112	pin rod	2
6	GB91-3.2X20	cotter pin	2
7	SL140.00.021	gear box cover	1
8	SL140.00.012	supporting structure	1
9	DIN985-M16	lock nut	7

10	GB97.1-16	flat washer	7
11	GB5783-M16x50	bolt	7
12	GB6170-M24	nut	2
13	GB93-24	spring washer	2
14	GB97.1-24	flat washer	3
15	SL140.00.109	bolt	2
16	TM90.00.011	front support frame	1
17	SL140.00.101	chain rod	1
18	GB6170-M12	nut	1
19	SL140.00.202	chain	8
20	TM110.00.013	hood	1
21	TM110.00.012	adjusting plate	2
22	TM110.00.030	chain	2
23	GB5783-M18x50	bolt	8
24	GB97.1-18	flat washer	10
25	GB93-18	spring washer	10
26	GB6170-M18	nut	10
27	GB5782-M10x100	bolt	2
28	GB97.1-10	flat washer	2
29	GB6170-M10	nut	2
30	SL110.00.018	rear cover	1
31	DIN985-M24	nut	1
32	TM-AZW.110	outer space ring	2
33	TM-AZW.018	pulley	1
34	HM5FT.00.019	fork	1
35	TM-AZW.111	wheel shaft	1
36	SL140.00.015	wheel support frame	1
37	GB85-M12x25	screw	1
38	HM5FT.00.208	back forbidden ring	1
39	DIN985-M12	nut	6
40	GB5783-M12x30	bolt	4
41	GB91-4x28	cotter pin	2
42	SL140.00.110	pin shaft	2
43	SL140.00.025	supporting frame	1
44	GB5783-M12x35	bolt	2
45	TM90.182	bolt	2
46	TM90.00.015	bottom plate	1

TM170_part1

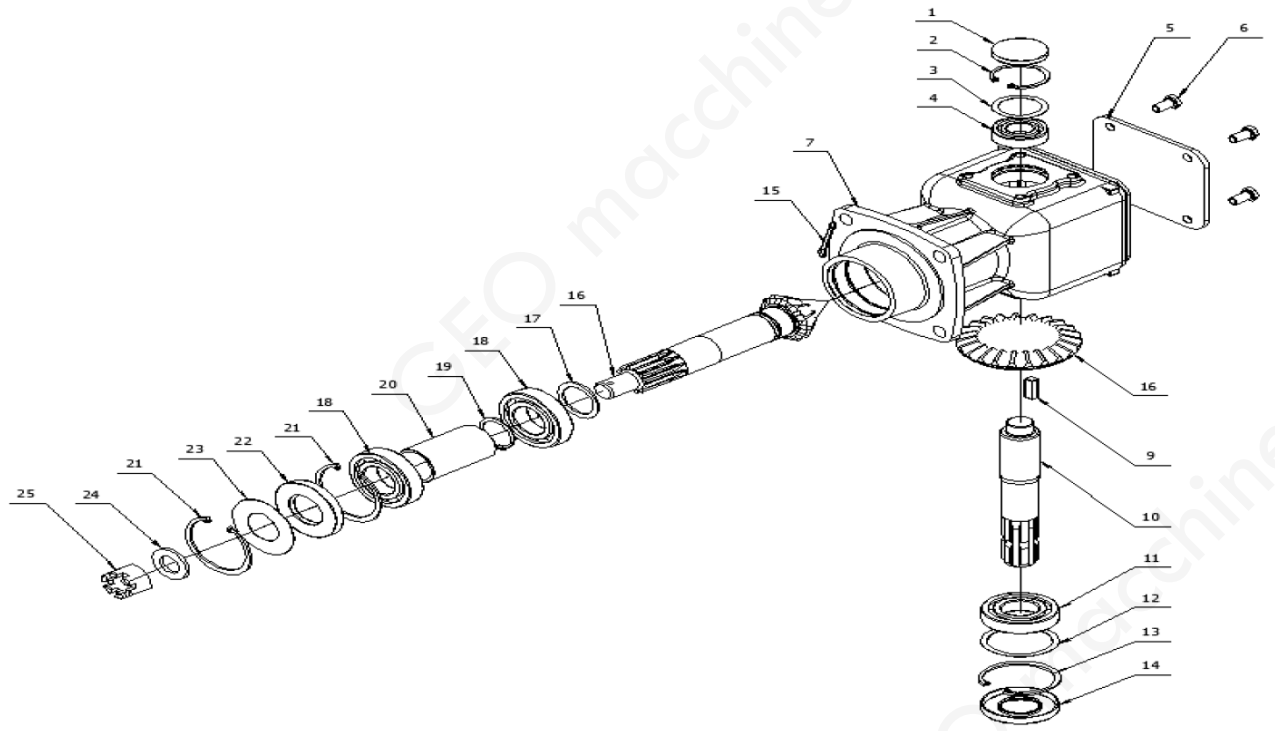


SerNo	PartNo	Description	Quantity
1	XH30.192Z.01L	gear box	1
2	TM170.00.014	blade support	1
3	TM90.180	blade space bushing	2
4	GB5782-M18x70	bolt	2
5	SL140.00.108-1	(L=380) blade	2
6	SL140.00.112	pin rod	2
7	GB91-3.2x20	cotter pin	2
8	SL140.00.021	gear box cover	1
9	SL140.00.011	supporting structure	1
10	DIN985-M16	nut	7
11	GB97.1-16	flat washer	7
12	GB5783-M16x50	bolt	7
13	SL140.00.012	nut	1
14	GB6170-M24	spring washer	2
15	GB93-24	flat washer	2
16	GB97.1-24	bolt	3
17	SL140.00.109	support weldment	2
18	SL140.00.101	chain rod	1
19	SL140.00.202	∅ 8*3 chain	8

20	GB6170-M12	nut	1
21	TM170.00.012	adjusting plate	2
22	GB6170-M18	nut	10
23	GB93-18	spring washer	10
24	GB97.1-18	flat washer	10
25	GB5783-M18x50	bolt	8
26	TM170.00.013	hood	1
27	TM170.00.030	8*120 chain	2
28	GB5782-M10x100	bolt	2
29	GB97.1-10	flat washer	2
30	GB6170-M10	nut	2
31	SL170.00.018	rear cover	1
32	SL140.00.025	support frame	1
33	GB5783-M12x30	bolt	6
34	DIN985-M12	nut	6
35	DIN985-M24	nut	1
36	TM-AZW.110	space ring	2
37	TM-AZW.018	pulley	1
38	HM5FT.00.019	fork	1
39	TM-AZW.111	wheel shaft weldment	1
40	GB85-M12x25	wheel stand	1
41	HM5FT.00.208	screw	1
42	SL140.00.015	back forbidden ring	1
43	GB91-4x28	cotter pin	2
44	SL140.00.110	pin shaft	2
45	TM170.00.015	bottom plate	1

Sezione

3



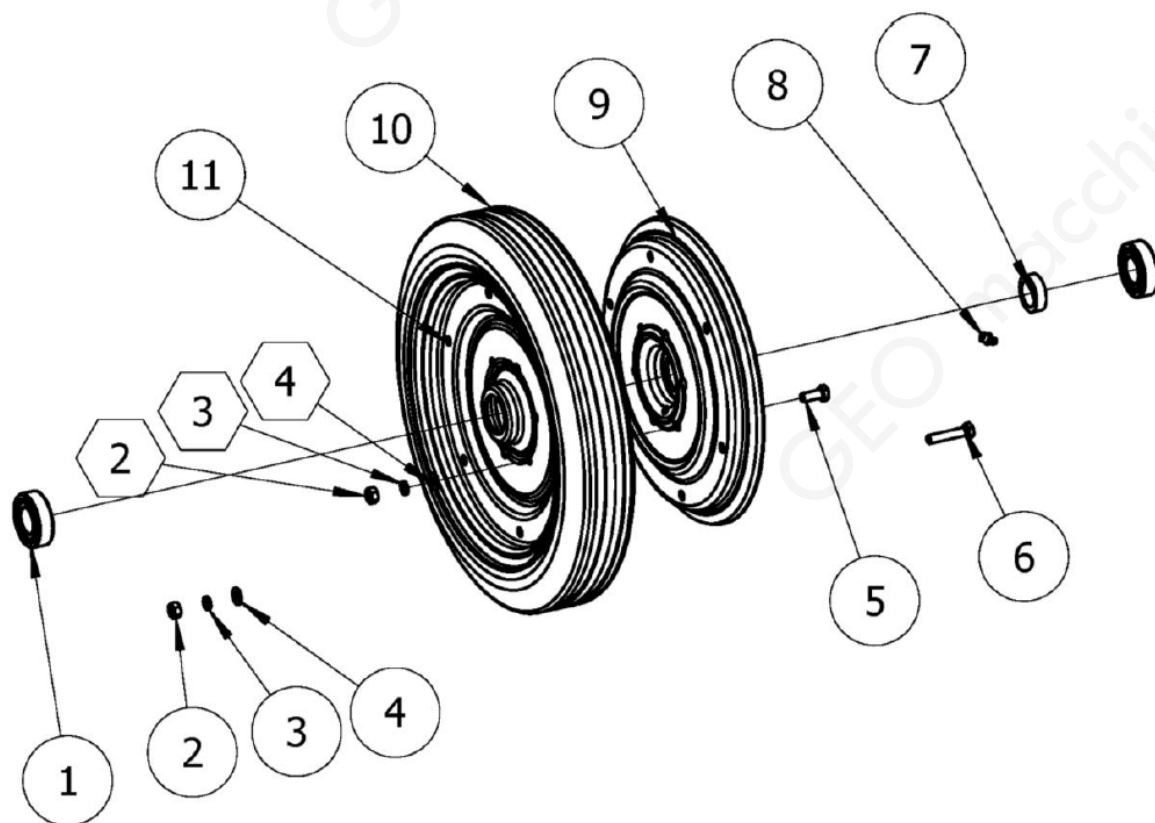
SerNo	PartNo	Description	Quantity
1	NFG-RCA-52X7	block cap	1
2	GB893.1-52	check ring	1
3	TZDP-52-40-0.5	adjusting cushion	1
4	GB276-6205	deep groove ball bearing	1
5	FM120.C10	upper cover	1
6	GB5783-M10X20	M10 x 20 bolt	4
7	205SL.Co4	box	1
9	GB1096-A-10x8x30	B10x8x30 spline	1
10	205SL.Co8	input shaft	1
11	GB276-6207	deep groove ball bearing	1
12	TZDP-72-60-1	Cushion	1
13	GB893.1-72	check ring	1
14	CFW-35X72X10	oil sealing	1
15	GB91-5X50	cotter pin	1
16	205SL.Co2	gear	1
17	TZDP-48-35-2	52x40x2 adjusting gasket	1
18	GB276-6208	deep groove ball bearing	2
19	GB894.1-40	check ring	1
20	205SL.Co7	Bushing	1

21	GB893.1-80	check ring	2
22	CFW-40X80X12	oil sealing	1
23	205SL.Co3	81x40x1mm cover plate	1
24	GB97.1-24	flat washer	1
25	205SL.Co1	M24x2x27 nut	1

Sezione

4

TM_part3



SerNo	PartNo	Description	Quantity
-------	--------	-------------	----------

1	6205 GB/T 276-94	deep groove ball bearing	2
2	GB6170-M8	nut	12
3	GB93-8	spring washer	12
4	GB97.1-8	flat washer	12
5	GB5783-M8x20	bolt	6
6	GB5783-M8x40	bolt	6
7	TM-AZW.109	space ring	1
8	DIN71412-M8x1	oil nipple	1
9	TM-AZW.107A	steel ring	1
10	TM-AZW.108	pulley	1
11	TM-AZW.107	steel rim	1