

Macchina

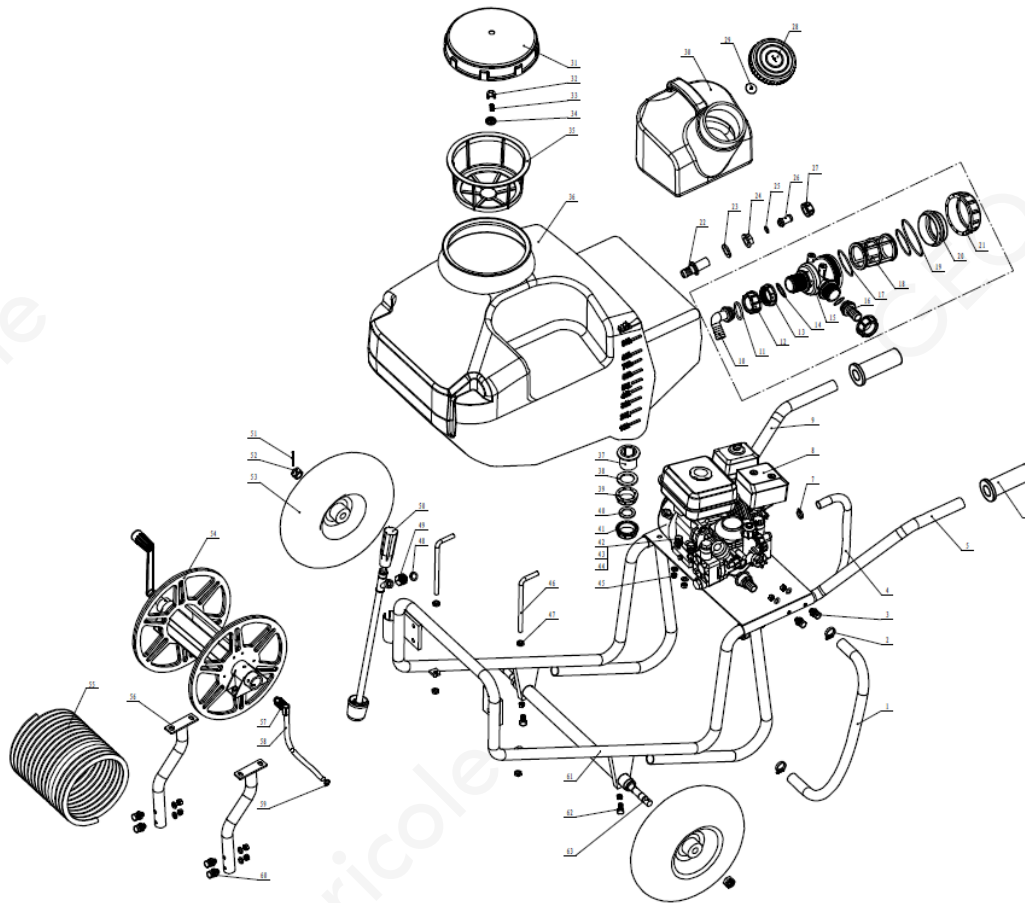
CAR



Sezione

1

CAR



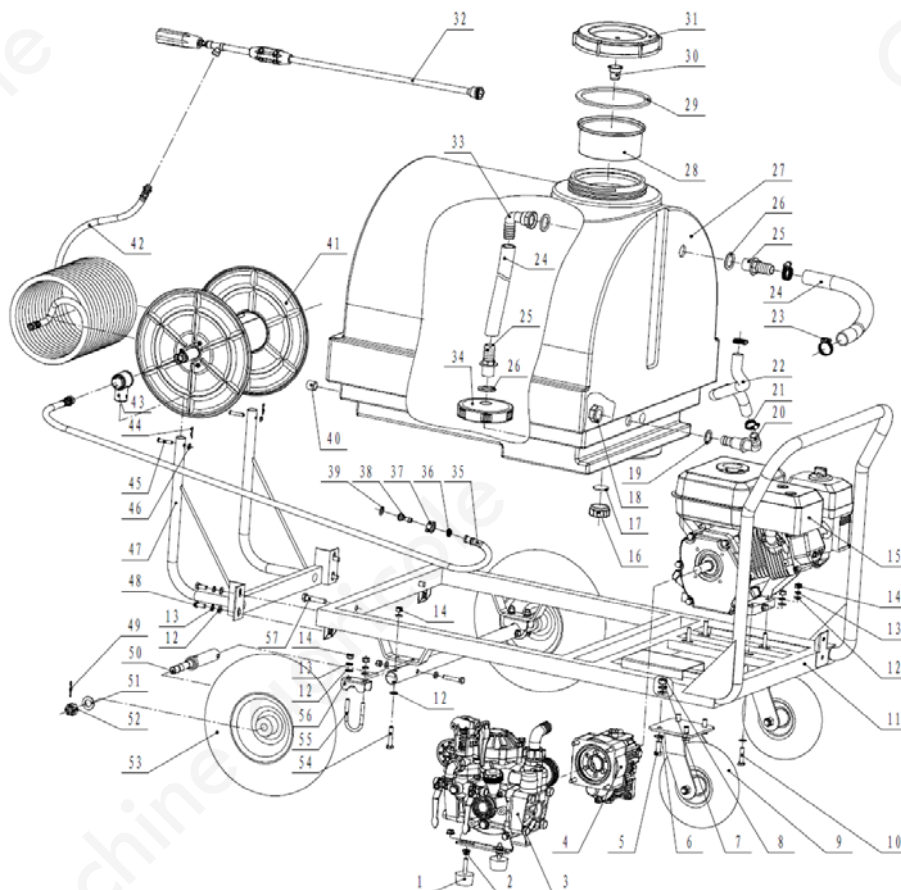
SerNo	PartNo	Description	Quantity
-------	--------	-------------	----------

1	TPM100/20D-01		1
2			2
3	GB/T5782-2000	Bolt	4
4	TPM100/20D-02		1
5	TPM100/20D.03-04		1
6	TPM100/20D.03-02		2
7			2
8	GMBF20/152.00		1
9	TPM100/20D.03-03		1

10	GLQ60-04		1
11	GB1235-76 O		2
12	GLQ60-07		2
13	GLQ60-06		1
14	GLQ60-09		1
15	GLQ60-05		1
16	GLQ60-08		1
17	GB/T3452.1-1992	O-RING	2
18	GLQ60-03		1
19	GB1235-76		1
20	GLQ60-01		1
21	GLQ60-02		1
22	FXD7/340.03.01-11		1
23	FXD7/340.03.01-12		1
24	FXD7/340.03.01-13		1
25			1
26	AC1804 (13) -01		1
27	HJY5-05		1
28	FM12-14		1
29	FM12-15		1
30	TPM100/20D.04-02		1
31	SXG240-01		1
32	SXG240-02		1
33	SXG240-04		1
34	SXG240-03		1
35	LW210.00		1
36	TPM100/20D.04-01		1
37	FXD7/340.03.01-10		1
38	FXD7/340.03.01-09		1
39	GLQ60-06		1
40	FXD7/340.03.01-03		1
41	FXD7/340.03.01-08		1
42	GB/T5783-2000		4
43	GB/T93-1987	Spring washer	12
44	GB95-2002		24
45	GB/T6170-2000	Nut	14
46	TPM100/20D.03-0		2
47	GB/T 6172.1-2000		4
48			1

49	CG16YP-01		1
50	SG-403		1
51	GB/T 91-2000		2
52	GB/T 6178-1986		2
53	SR1/WB-2		2
54	TPM100/20D.01		1
55	SP-526		1
56	TPM100/20D.02		2
57	HT402 90°		1
58	TPM100/20D.05		1
59			1
60	GB/T5782-2000	Bolt	4
61	TPM100/20D.03.01		1
62	GB/T5782-2000	Bolt	2
63	TPM100/20D.03.02		1

**CAR200**



SerNo	PartNo	Description	Quantity
1	UPM30.02		2
2	GB6177-86		4
3	GMB3 0TY.00 GMB30T Y		1
4	GMBF 30.01 GMBF 30		1

5	GB/T 5781-2000	M 10 × 25	8
6	GB/T 95-2002		16
7	GB/T 93-1987		8
8	GB/T 41-2000	M 10	8
9			2
10	GB/T 5781-2000	M8 × 35 4	4
11	TPM200/30.01.01		1
12	GB/T 95-2002		24
13	GB/T 93-1987		8
14	GB/T 41-2000	M 8	12
15	168FA-Q1	168FA-Q1	1
16			1
17			1
18	TPM200/30.04-02	25×21 PA66	1
19	TPM200/30.04-03	31.5×22×21	1
20	TPM200/30.04-01		1
21			2
22	TPM200/30-01		1
23			2
24	TPM200/30-02		2
25	FXD7/340.03.01-02		2
26	FXD7/340.03.01-03		3
27	TPM200/30.03-01		1
28			1
29			1
30			1
31			1
32	SG-101		1
33	FXD7/340.03.01-04		1
34	TF22C3.10.01		1
35	TPM200/30.05.01		1
36			1
37	AC18 04-01		1
38	AC1804 (8)-01		1
39			1
40	TPM200/30-03		2
41			1
42	SP-526 50		1
43			2

44		2
45	GB/T88 2-2000	2
46	GB/T95-2002	2
47		1
48	GB/T5781-2000	4
49	GB/T91-2000	2
50	TPM200/30.01-03	2
51	GB/T95-2002	2
52	GB/T945 9-1988	2
53		2
54	GB/T5 781-2000	4
55	TPM 200/30.01-01U	2
56	TPM 200/30.01-02U	2
57	GB/T5 781-2000	2