

Macchina

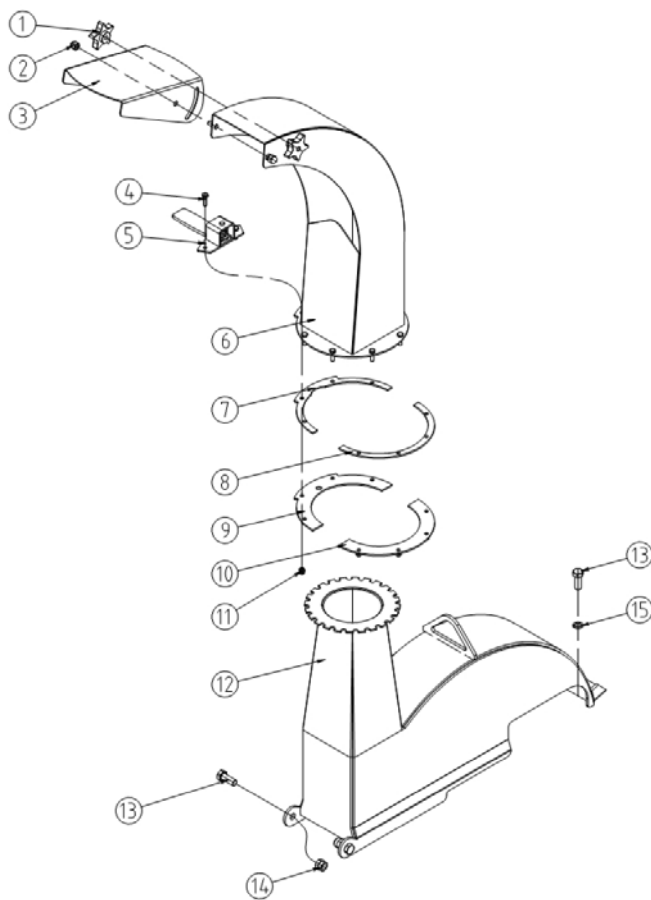
ECO16H



Sezione

1

ECO16H\_part1



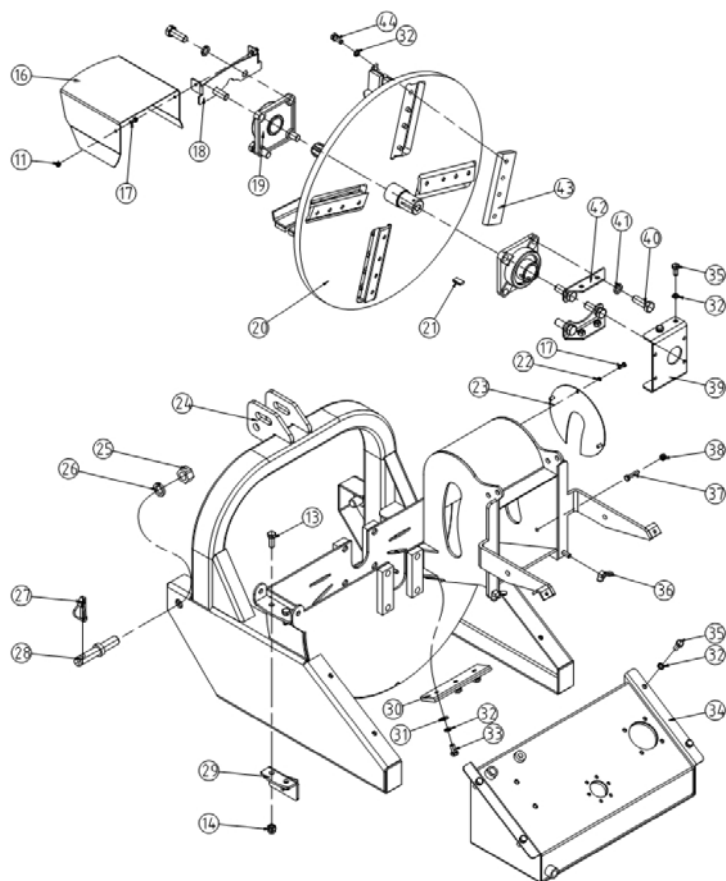
SerNo	PartNo	Description	Quantity
1	Z19313	Knob	2
2	GB/T802-88	Acorn Nut M8	2
3	1011L133	Deflector, Discharge Chute	1
4	GB/T5783-2000	Bolt M6*20	9
5	1012W208	Assembly, Hood Latch	1
6	1011W106	Discharge Chute	1
7	1011L129	Plate, Spacer Ring	1
8	1011L127	Plate, Spacer Ring	1
9	1011L130	Plate, Hood Capture	1

10	1011L134	Plate, Hood Capture	1
11	GB/T889.1-2000	Locking Nut M6	13
12	BX42F.015	Housing, Upper Rotor	1
13	GB/T5783-2000	Bolt M12*30	7
14	GB/T889.1-2000	Locking Nut M12	10
15	GB/T93-1987	Spring washer 12	1

Sezione

2

ECO16H\_part2

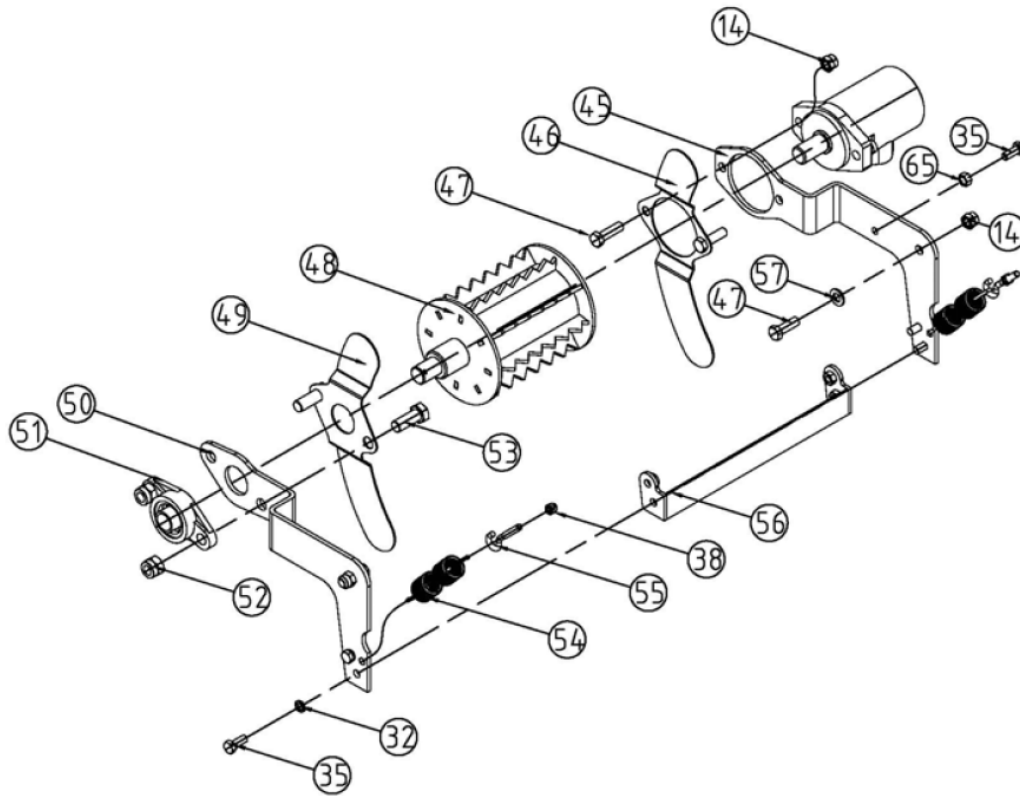


SerNo	PartNo	Description	Quantity
16	1011L112	PTO Cover	1
17	GB/T5783-2000	Bolt M6*16	8
18	1011L106	Bracket, PTO Cover Mount	1
19	GB/T7810-1995	Bearing UCFU208	2
20	BX42F.016	Rotor	1
21	BX42F.110	Flat key	1
22	GB/T93-1987	Spring washer 6	12
23	BX42F.105	Circular plate	1
24	BX42F.013	Housing, Bottom Rotor	1
25	GB/T6171-86	Nut M22x1.5	2
26	GB/T93-1987	Spring washer 22	2

27	LPIN 12	Locking pin 12	2
28	Z11431	Implement Pin	2
29	1011W104	Twig Breaker	1
30	BX42F.104	Knife, Ledger	1
31	GB/T97.1-2002	Plain washer 10	3
32	GB/T93-1987	Spring washer 10	33
33	GB/T5786-86	Bolt M10x1x25	3
34	BX42F.014	Oil tank weldment	1
35	GB/T5783-2000	Bolt M10*25	13
36	GB/T62-88	Wing Nut M10	2
37	GB/T5783-2000	Bolt M8*35	5
38	GB/T889.1-2000	Locking Nut M8	13
39	BX42F.107	The plate fix the pump	1
40	GB/T5786-86	Bolt M16x1.5x45	8
41	GB/T889.1-2000	Locking Nut M16	8
42	BX42F.020	Connection plate	1
43	BX42F.106	Knife, Rotor	4
44	GB/T5786-86	Bolt M10x1x30	16

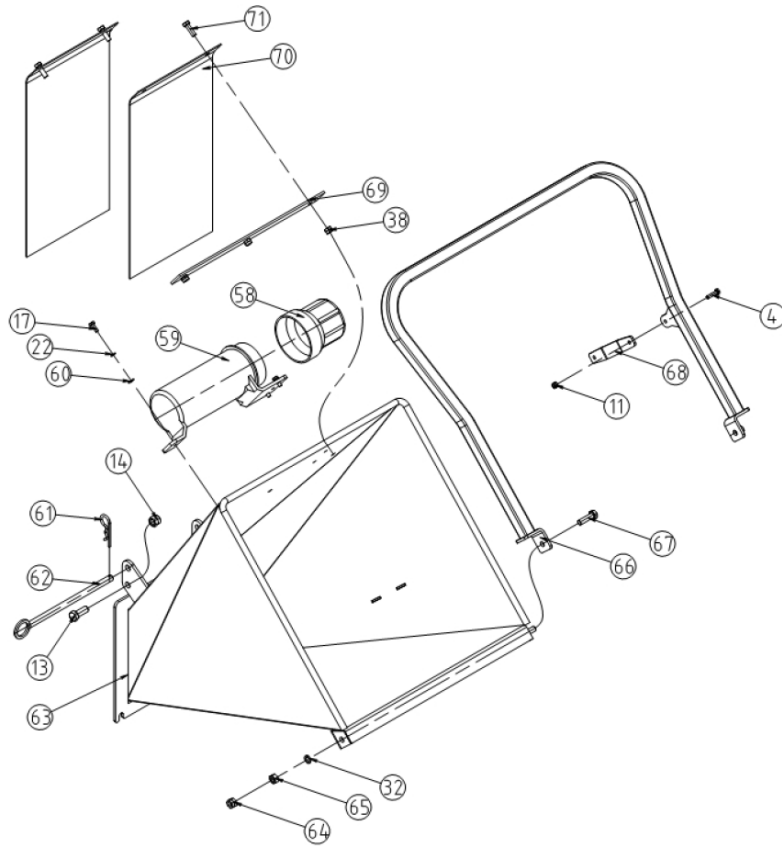
Sezione

3



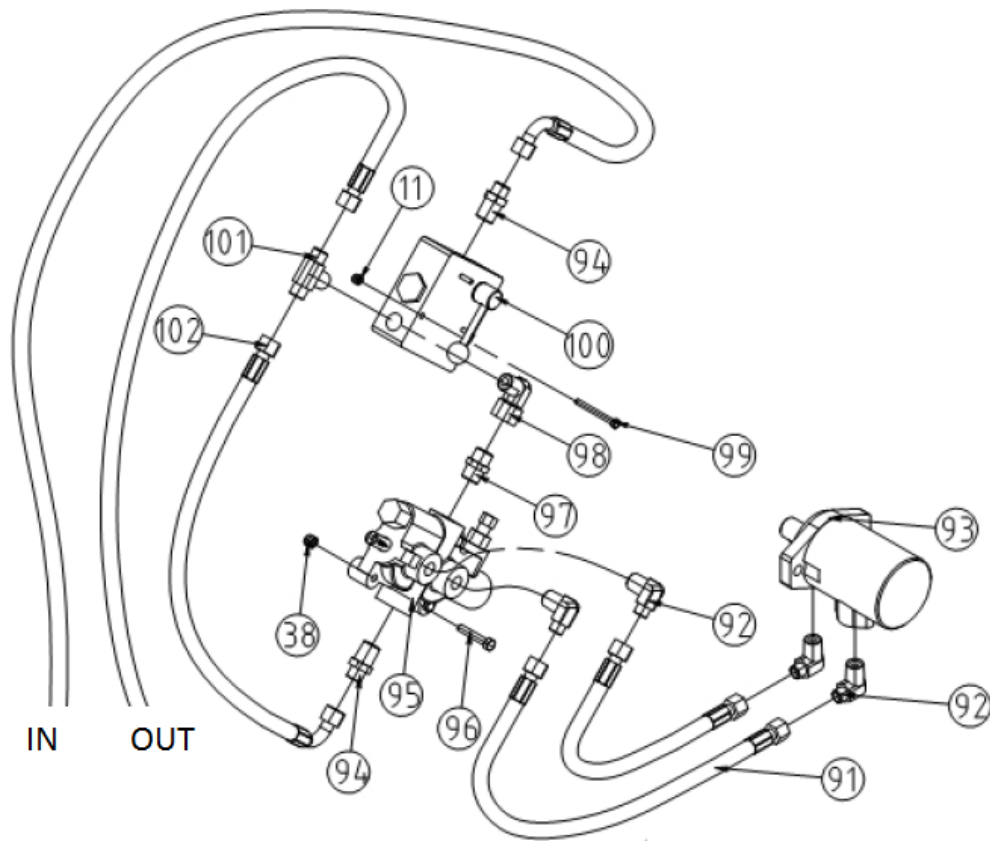
SerNo	PartNo	Description	Quantity	
	45	BX42F.102	Roller Arm-Right	1
	46	BX42F.103	Right turn plate	1
	47	GB/T5783-2000	Bolt M12*40	4
	48	BX42F.017	Drum, Feed Roller	1
	49	BX42F.108	Left turn plate	1
	50	BX42F.109	Roller Arm-Left	1
	51	GB/T7810-1995	Bearing UCFLU205	1
	52	GB/T5783-2000	Bolt M16*40	2
	53	GB/T889.1-2000	Locking Nut M16	2
	54	BX42F.101	Spring	2
	55	BX42F.010	Eye Bolt	2
	56	BX42F.018	Pull plate	1
	57	GB/T97.1-2002	Plain washer 12	2

ECO16H\_part4



SerNo	PartNo	Description	Quantity	
	58	BX42F.111	Manual tube cover	1
	59	BX42F.112	Manual tube	1
	60	GB/T97.1-2002	Plain washer 6	3
	61	RPIN 3.2	RPIN 3.2	1
	62	BX42F.019	Pin weldment	1
	63	BX42F.012	Weldment, Main Hopper	1
	64	GB/T889.1-2000	Locking Nut M10	2
	65	GB/T6170-2000	Nut M10	3
	66	BX42F.011	Feed Handle	1
	67	GB/T5783-2000	Bolt M10*35	2
	68	1014L413	Feed Handle Link Bar	1
	69	1011L151	Safety Flap Bar	1
	70	1012S203	Flap, Hopper	2
	71	GB/T5783-2000	Bolt M8*25	3

ECO16H\_part5



SerNo	PartNo	Description	Quantity
91	BX42F.025	Hose, Valve- Motor	2
92	CP5.60.108	Adapter, Elbow	4
93	BMP-200	Hydraulic Motor	1
94	CP5.60.104	Adapter, Straight	2
95	X-20	Control Valve, Single Spool	1
96	GB/T5782-2000	Bolt M8*45	3
97	CP5.60.107	Adapter, Valve-Valve	1
98	CP5.60.106	Bend adapter	1
99	GB/T5782-2000	Bolt M6*60	2
100	RD1900	Hydraulic Flow Control	1
101	CP5.60.105	Adapter, Tee	1
102	BX42F.021	Hose, Valve- Valve	1