

Macchina

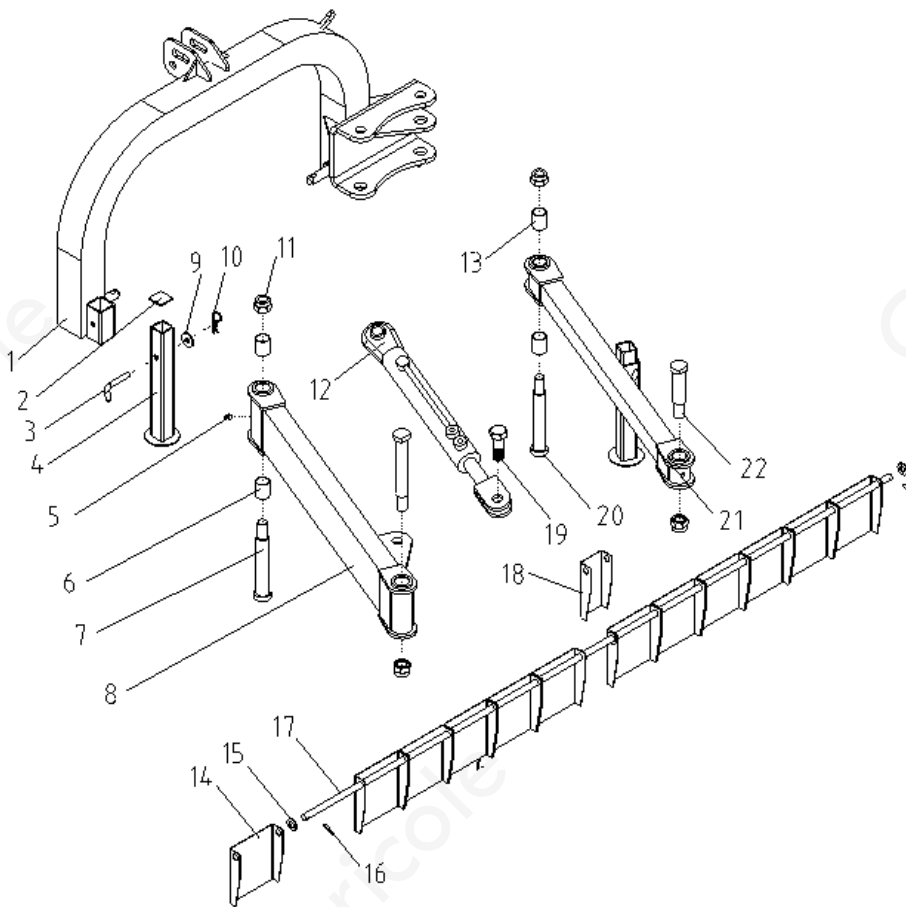
AGL



Sezione

1

AGL\_part1



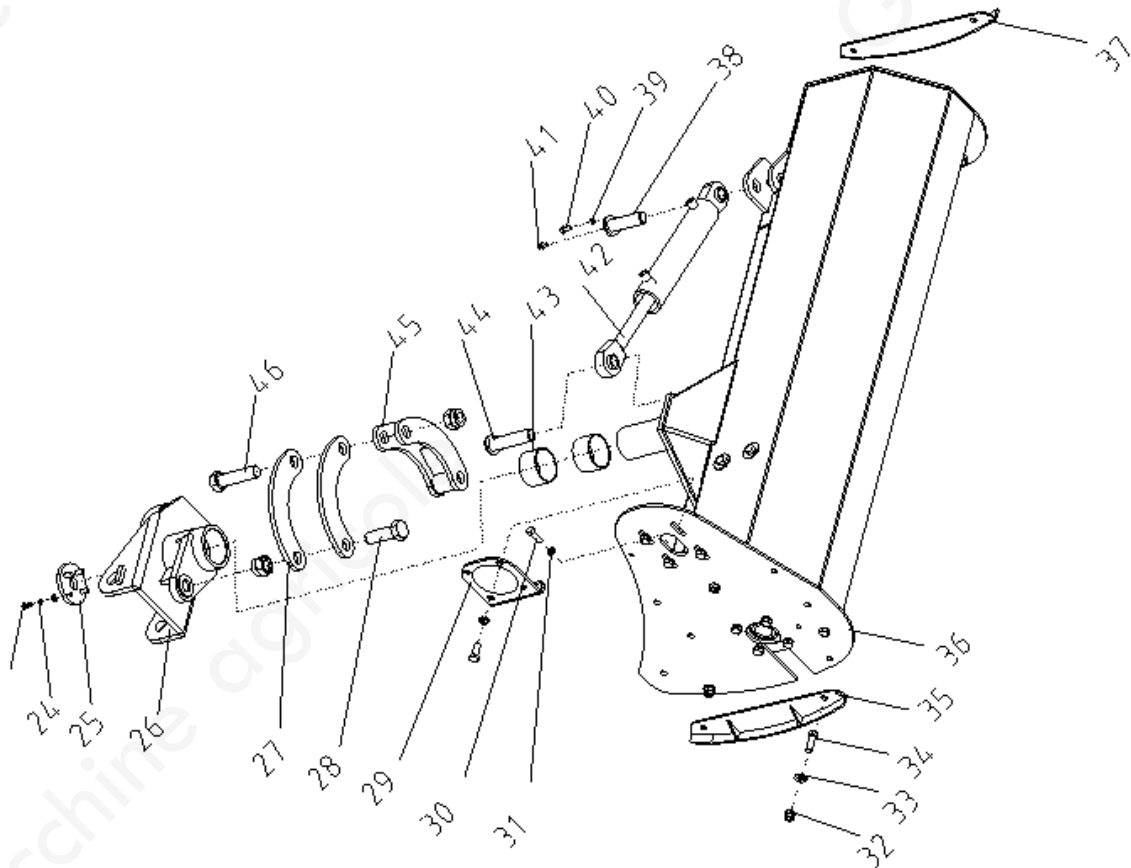
SerNo	PartNo	Description	Quantity
1	AGL125.011	Hanging weldment	1
2	AGF140.108	Cover (B)	2
3	1G135.00.107	Bent pin	2
4	AGF140.011	Supporting frame (S)	2
5	GB/T1152-89	Oil cup	5
6	SF-2	Bushing 30X34X40	4
7	AGL125.105	Pin (L)	2
8	AGL125.019	Front swinging arm	1
9	GB/T96-85	Plain washer 12	9

10	EFGC125.110	R pin	2
11	GB/T889.1-86	Nut M24	7
12	AGL125.018	Parallel movement cylinder	1
13	SF-2	Bushing 30X34X30	4
14	EFGC125.113	Fender	
15	GB/T97.1-86	Plain washe10	6
16	GB/T879-86	Elastic cylindrical pin	2
17	EFGC125.104	Shaft for fender	1
18	EFGC125.114	Narrow Fender	1
19	GB/T5783-86	Bolt M24X65	1
20	AGL125.104	Pin (L)	1
21	AGL125.017	Rear swinging arm	1
22	AGL125.103	Pin (S)	1
23	GB/T5783-86	Bolt M10X35	4

Sezione

2

AGL\_part2



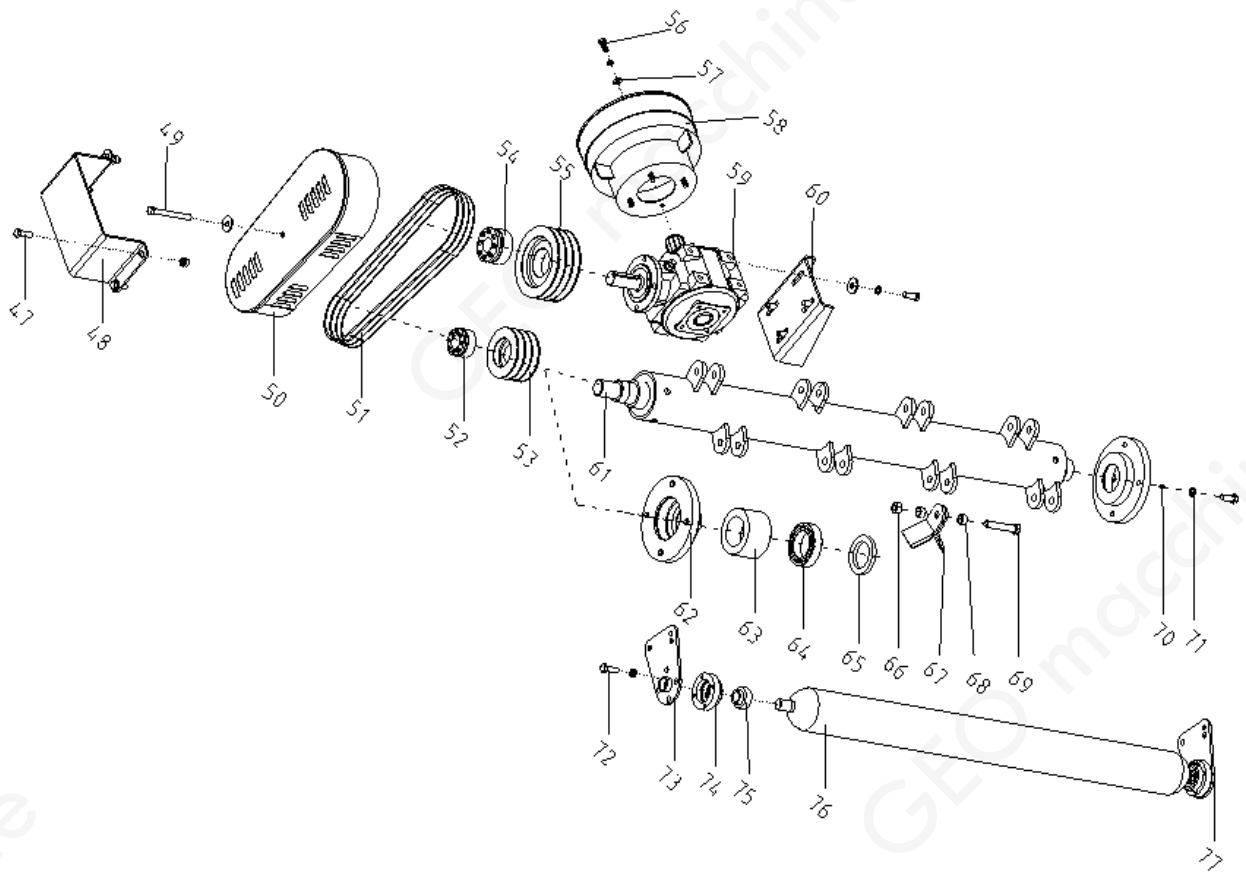
SerNo	PartNo	Description	Quantity
24	GB/T93-87	Spring washer 10	4
25	AGL125.101	Cover	1
26	AGL125.020	Rotating shaft	1

27	AGL125.102	Pull pedal	2
28	GB/T5783-86	Bolt M24X70	1
29	AGL125.014	Tension plate welded parts	1
30	GB/T5783-86	Bolt M12X45	2
31	GB/T6172-86	Nut M12	2
32	GB/T889.1-86	Nut M12	10
33	GB/T97.1-86	Plain washer	10
34	GB/T5783-86	Bolt M12X30	22
35	AGL125.012	Base plate (L)	1
36,1	AGL125.013	The cover weldment AGL125	1
36,2	AGL145.013	The cover weldment AGL145	1
36,3	AGL165.013	The cover weldment AGL165	1
37	AGL125.022	Base plate (R)	1
38	SL204.01.102	Pin (L)	1
39	GB/T93-87	Spring washer 8	14
40	GB/T5783-86	Bolt M8X16	2
41	GB/T1152-89	Oil cup	4
42	AGL125.016	Side sway cylinder	1
43	SF-2	Bushing 65X70X40	2
44	SL204.01.103	Pin	1
45	AGL125.021	The push plate	1
46	GB/T5783-86	Bolt M24X90	1

Sezione

3

AGL\_part3



SerNo	PartNo	Description	Quantity
-------	--------	-------------	----------

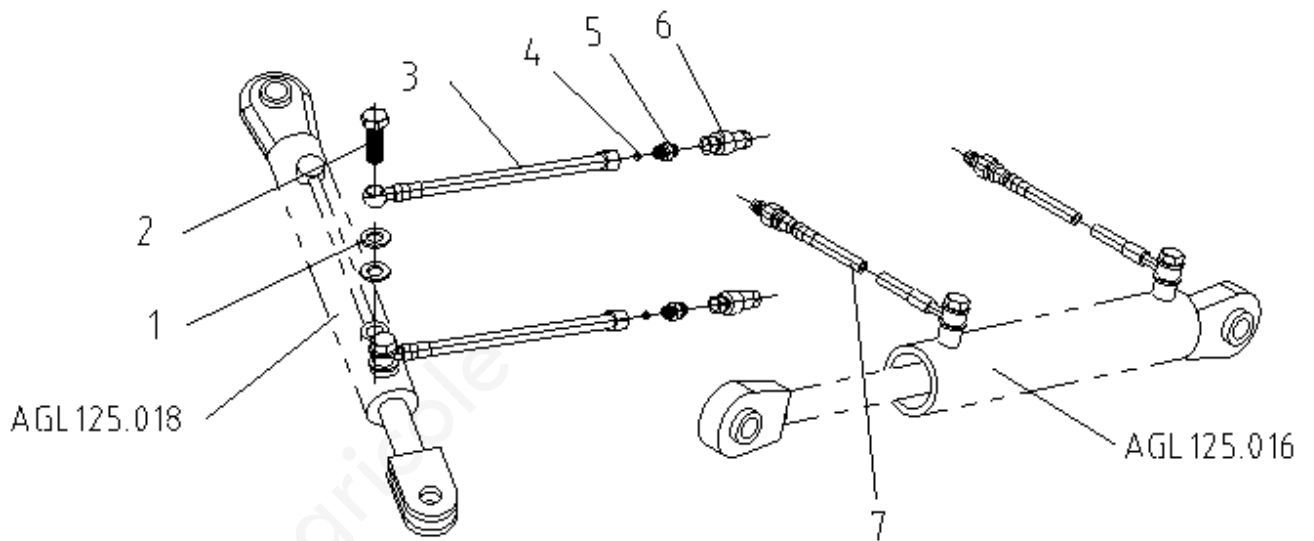
47	GB/T5783-86	Bolt M12X35	4
48	AGL125.106	Belt pulley Cover	1
49	GB/T5782-86	Bolt M12X110	1
50	EFGC125.012	Belt cover	1
51	GB/T1154-97	Strap B991	3
52	JB/T7934Z3	Swellable sleeve	1
53	EFGC125.117	Small belt ptlley	1
54	JB/T7934Z3	Swellable sleeve	1
55	EFGC125.121	Big belt ptlley	1
56	GB/T5783-86	Bolt M8X20	4
57	GB/T96-85	Plain washer 8	4
58	FM150.120	Guard shade	1
59	TS50.300Z.02	Gear box assembly	1
60	AGL125.013	Gearbox support weldment	1
61,1	AGL125.025	Blade axle weldment AGL 125	1
61,2	AGL145.025	Blade axle weldment AGL 145	1
61,3	AGL165.025	Blade axle weldment AGL 165	1
62	EFGC125.115	Flange Bearing UC 207	2
63	EFGC125.116	Oil-sealing sleeve	1

64	UC207-Z	Bearing UC207-Z	2
65	GB13871-94	Oil seal 55X80X8	1
66	GB/T889.1-86	Nut M12x1.5	20
67	EF 100.00.102	Blade	40
68	AGL125.107	Sleeve	40
69	GB/T5785-2000	Bolt M12X1.5x80	20
70	GB/T1152-89	Oil cup	4
71	GB/T93-87	Spring washer 12	16
72	GB/T5783-86	Bolt M8x25	8
73	AGL125.023	Supporting for roller (L)	1
74	EFGC125.107	Bearing seat UCF205	2
75	UC205	Bearing UC205	2
76,1	EFGC125.017	Roller weldment AGL 125	1
76,2	EFGC145.017	Roller weldment AGL 145	1
76,3	EFGC165.017	Roller weldment AGL 165	1
77	AGL125.024	Supporting for roller (R)	1

Sezione

4

AGL\_part4



SerNo PartNo

Description

Quantity

1 JB/T1002-19

8

2	AGL125.109	Bolt M14	4
3	AGL125.026	Oil pipe	2
4	GB/T3452.1-92		4
5	SBE180.405	Adaptor M16-1/2	4
6	GB/T 8606-88	Quick connector R1/2"	4
7	AGL125.105	Oil pipe	2