

Macchina

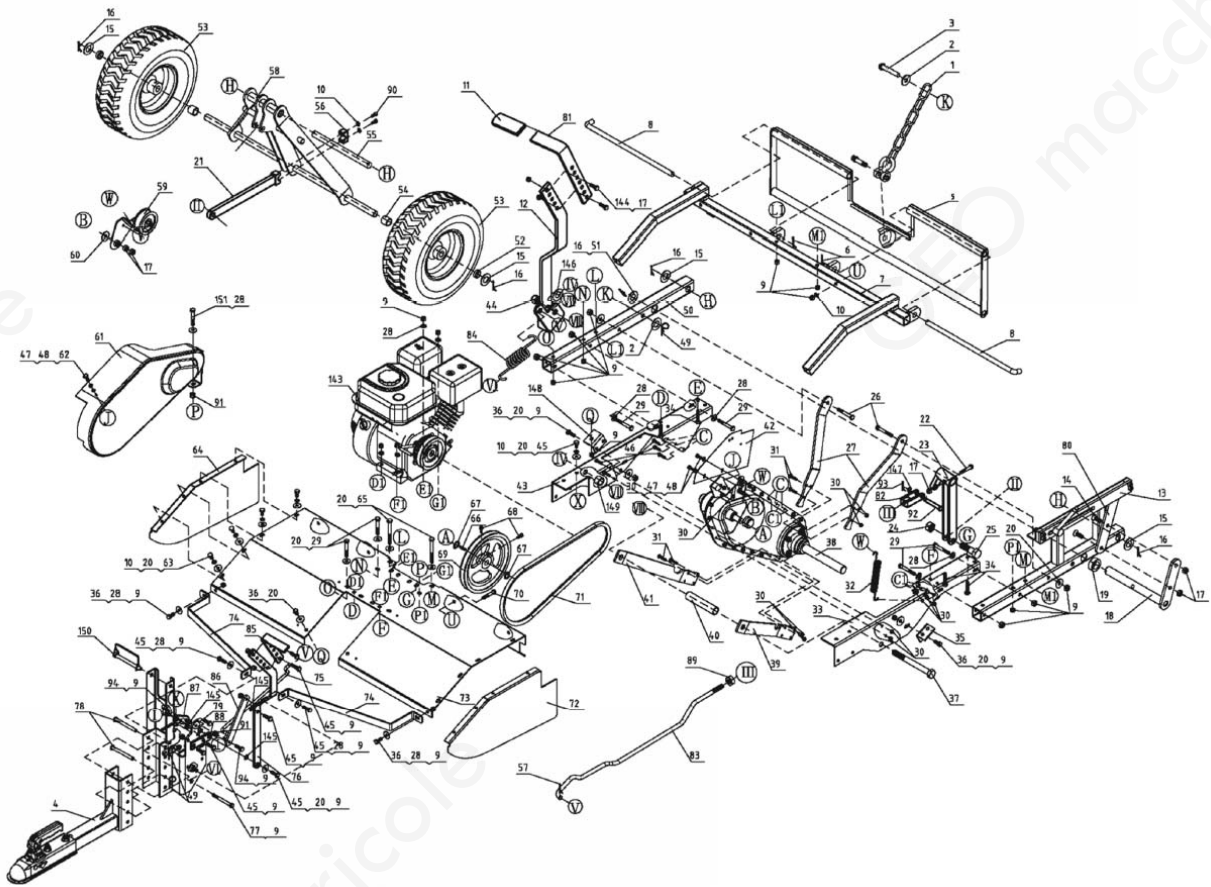
ATVtiller



Sezione

1

ATVtiller_MainAssembly



SerNo	PartNo	Description	Quantity
1		Chain	1
2		Big Washer Ø12	2
3		Cup Head Pin Ø21xØ12x74	1
4		Tongue Assy	1
5		Rear Fender	1
6		Cotter Pin Ø4x30	2
7		Tube Assy	1
8		Inserted Pin Ø14x36x390	2
9		Nylon Lock Nut M8	33

10	Spring Washer Ø8	18
11	Handle Grip	1
12	Lift Arm Assembly	1
13	Tube Assy	1
14	Socket head Cap Screw M10x30	2
15	Flat Washer Ø20	4
16	Cotter Pin Ø3x40	5
17	Nylon Lock Nut M10	7
18	Centre Shaft Assembly	1
19	Bushing A Ø40xØ26x14	1
20	Big Washer Ø8	23
21	Connecting Band Iron	1
22	Hex Bolt M10x50	1
23	Middle Connection Plate	1
24	Nylon Lock Nut M12	1
25	Hex Bolt M12x45	1
26	Hex Bolt M8x60	2
27	Rear Brace	2
28	Flat Washer Ø8	13
29	Hex Bolt M8x55	7
30	Nylon Lock Nut M6	12
31	Hex Bolt M6x30	4
32	Pullback Spring Ø16.2xØ2.2x124	1
33	Left Clamp Plate	1
34	Hex Bolt M8x40	4
35	Angle Iron	1
36	Hex Bolt M8x20	11
37	Hex Bolt M16x175	1
38	Transmission	1
39	Front Side Sway Rod B	1
40	Spacer Ø25xØ20x74	1
41	Front Side Sway Rod A	1
42	Baffle Plate	1
43	Clamp Plate A	1
44	Nylon Lock Nut M16	1
45	Hex Bolt M8x25	12
46	Hex Bolt M6x25	5
47	Hex Bolt M6x16	3
48	Flat Washer Ø6	3

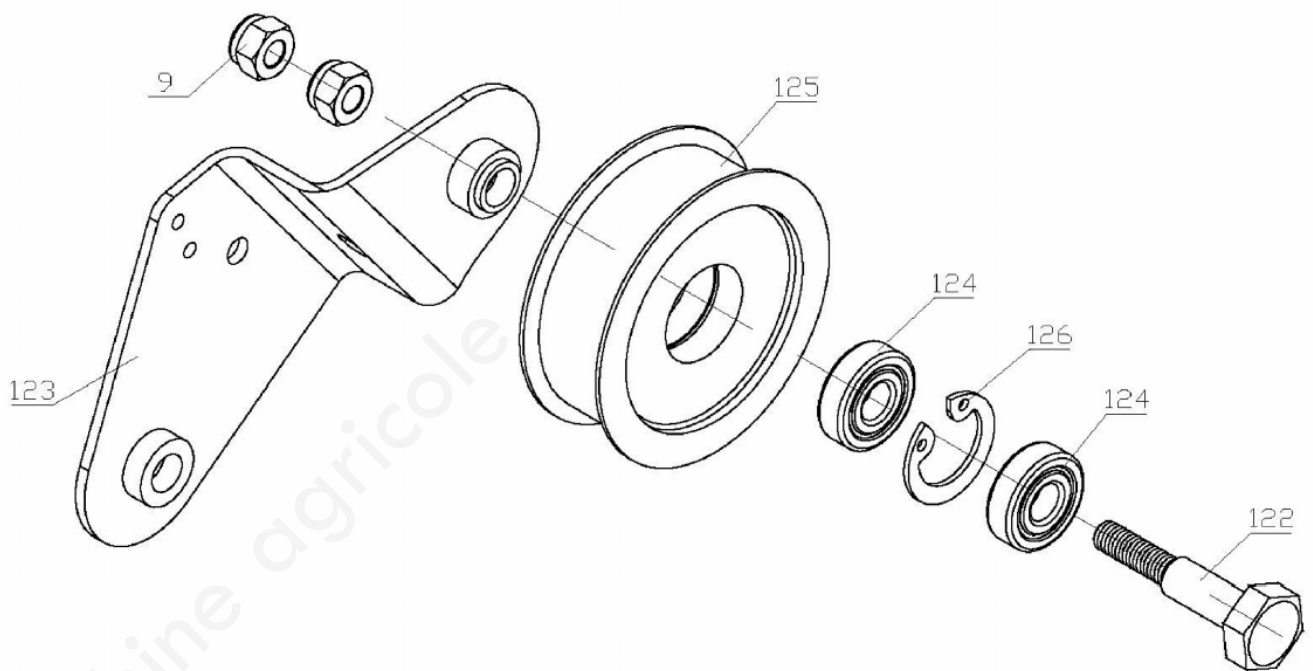
49	R Pin Ø3	4
50	Tube	1
51	Flat Washer Ø25	1
52	Space Ring Ø25xØ20x7	2
53	Wheel	2
54	Space Ring Ø25xØ20x22	2
55	Wheel Stand Pin	1
56	Clamp	1
57	Cotter Pin Ø3x30	1
58	Wheel Mount	1
59	Pulley Assembly	1
60	Big Washer Ø10	1
61	Belt Cover	1
62	Spring Washer Ø6	1
63	Hex Bolt M8x16	8
64	Fender A	1
65	Hex Bolt M8x85	2
66	Flat Key	1
67	Circlip for Shaft Ø16	2
68	Socket Cap Screw M6x16	2
69	Pulley	1
70	Hex Bolt M8x45	4
71	Belt	1
72	Fender B	1
73	Cover Assy	1
74	Brace	2
75	Pull Rod Ø8x35x54	1
76	Tine Clutch Lever	1
77	Hex Bolt M10x170	1
78	Bolt Ø16xØ9x90	3
79	Hitch Bracket	1
80	Limiting Plate	1
81	Handle	1
82	Connect Fork	1
83	Pull Rod	1
84	Spring B	1
85	Tine Clutch Lever	1
86	Connect Rod	1
87	Rocker	1

88	Handle Connect Plate	1
89	Hex Nut M14	1
90	Socket Cap Screw M8x35	2
91	Spacer B	2
92	Pin	1
93	Cotter Pin Ø3x25	1
94	Hex Bolt M8x30	2
143	Engine	1
144	Hex Bolt M10x30	2
145	Nylon Washer	3
146	Big Washer Ø16	1
147	Flat Washer Ø10	1
148	Angle Iron B	1
149	Spacer C	1
150	Lock Pin A	1
151	Hex Bolt M8x65	1

Sezione

2

ATVtiller_PulleyAssembly



SerNo	PartNo	Description	Quantity
-------	--------	-------------	----------

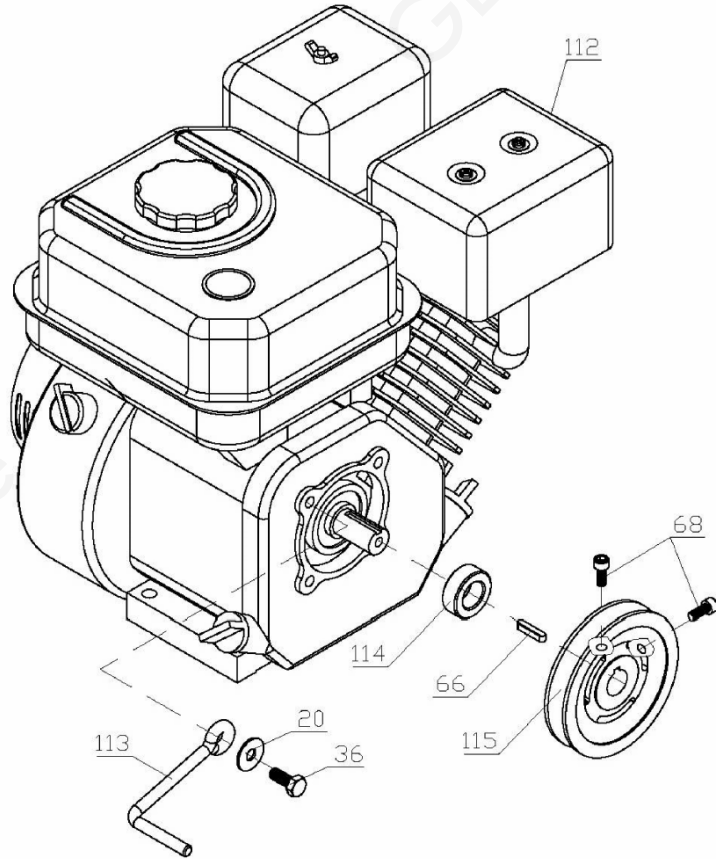
9	Nylon Lock Nut M8		2
---	-------------------	--	---

122	Bolt	1
123	Bracket	1
124	Bearing	2
125	Pulley Ø78xØ24x27	1
126	Circlip for hole Ø26	1

Sezione

3

ATVtiller_Engine

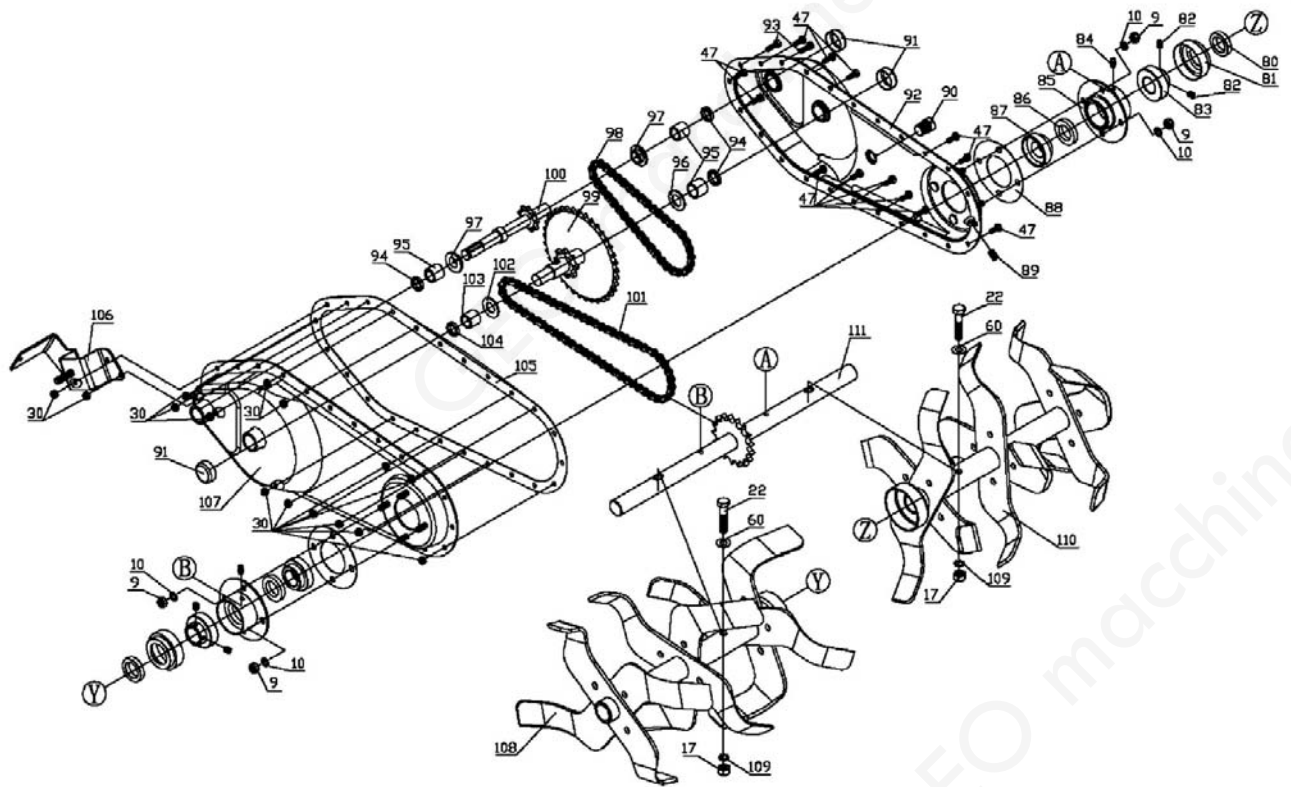


SerNo	PartNo	Description	Quantity
	20	Big Washer Ø8	1
	36	Hex Bolt M8x20	1
	66	Flat Key 5x5x25	1
	68	Socket Cap Screw M6x16	2
	112	Engine 6.5HP	1
	113	Stop Lever Ø8x60x89	1
	114	Shaft Housing	1
	115	Belt Pulley Ø107xØ19x30.5	1

Sezione

4

ATVtiller_TineDriveTransmissionAssembly



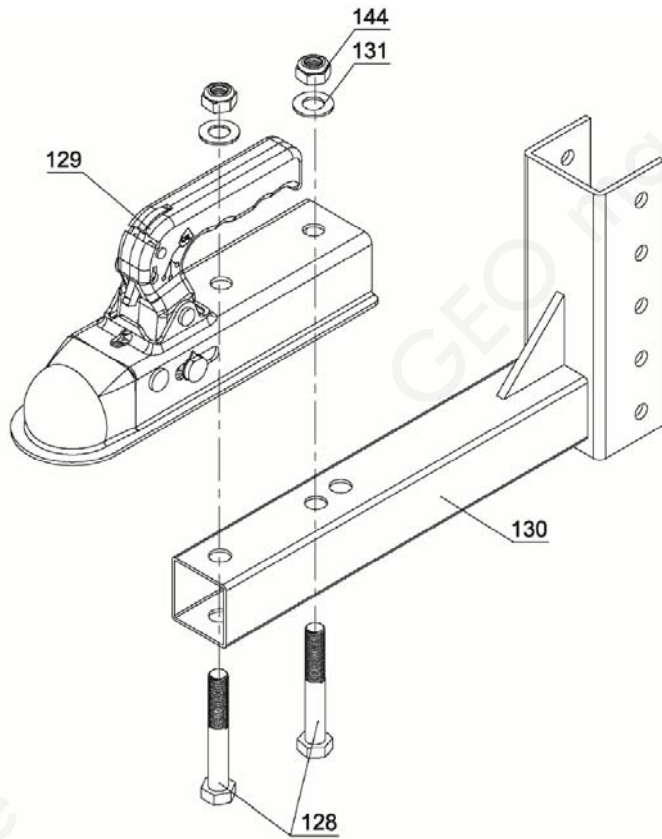
SerNo	PartNo	Description	Quantity
9	Nylon Lock Nut M8		8
10	Spring Washer Ø8		8
17	Nylon Lock Nut M10		2
22	Hex Bolt M10x50		2
30	Nylon Lock Nut M6		15
47	Hex Bolt M6x16		13
60	Big Washer Ø10		2
80	Felt		2
81	Cap Ø59x23x1.ot		2
82	Socket Head Screw M6x8		4
83	Bearing Ø52xØ25x27		2
84	Grease Cup M6		2
85	Bearing Support		2
86	Felt Washer Ø25xØ38x8		2
87	Shaft Housing		2
88	Gland Bush		2
89	Plug Z1/8x15		1
90	Plug Z3/8x21		1
91	Cap Ø30x11x1.ot		3

92	Right Side Drive Housing	1
93	Hex Bolt M6x20	2
94	Gasket Ø16xØ22x5	3
95	Bearing Ø22xØ16x20	3
96	Adjustable Washer Ø32xØ16.5x	1
97	Adjustable Washer Ø30xØ16.5x	2
98	Short Chain	1
99	Idler Shaft	1
100	Input Shaft	1
101	Long Chain	1
102	Adjustable Washer Ø32xØ18.5x	1
103	Bearing Ø24xØ18x20	1
104	Gasket Ø18xØ24x5	1
105	Gland Bush	1
106	Bracket	1
107	Left Side Drive Housing	1
108	Left Side Tine Assy	1
109	Internal Tooth Lock Washer Ø10	2
110	Right Side Tine Assy	1
111	Tine Shaft & Sprocket	1

Sezione

5

ATVtiller_TongueAssembly

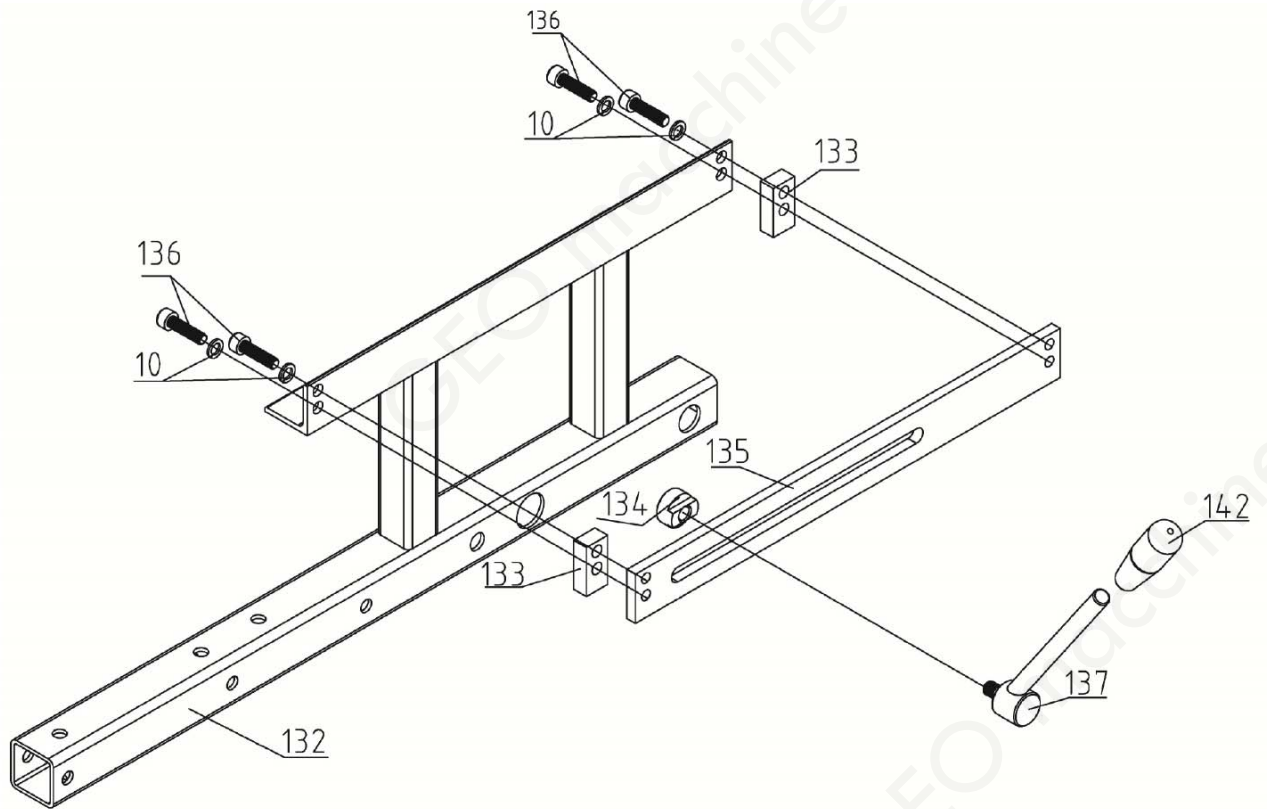


SerNo	PartNo	Description	Quantity
128	Hex Bolt M12x70		2
129	European Coupler		1
130	Outside Tongue Assembly		1
131	Flat Washer Ø12		2
144	Nylon Lock Nut M12		2

Sezione

6

ATVtiller_TubeAssembly



SerNo	PartNo	Description	Quantity
10	Spring Washer Ø8		4
132	Frame		1
133	Clamp Plate		2
134	Screw Cap Ø25x11.5x15		1
135	Slotted Band Iron		1
136	Socket Cap Screw M8x30		4
137	Handle		1
142	Handle Grip		1