

Macchina

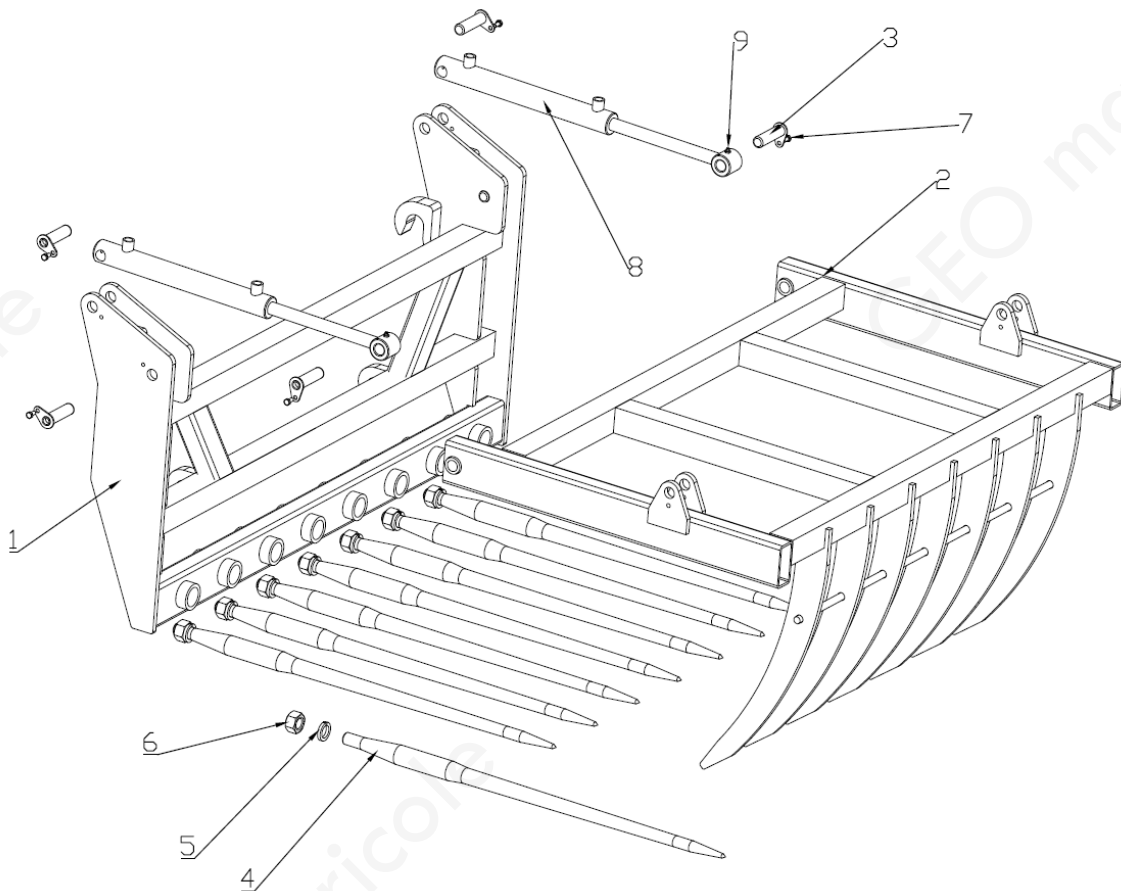
BK



Sezione

1

BK



SerNo	PartNo	Description	Quantity
1	NGR140.011	main Frame	1
2	NGR140.012	grab frame	1
3	NGR140.013	pin 95 mm	6
4	NGR140.101	tine	8
5		spring washer 36	8
6		nut M36	8
7		bolt M8X16	6
8	NGR140.014	Cylinder	2
9		Grease nipper	4