

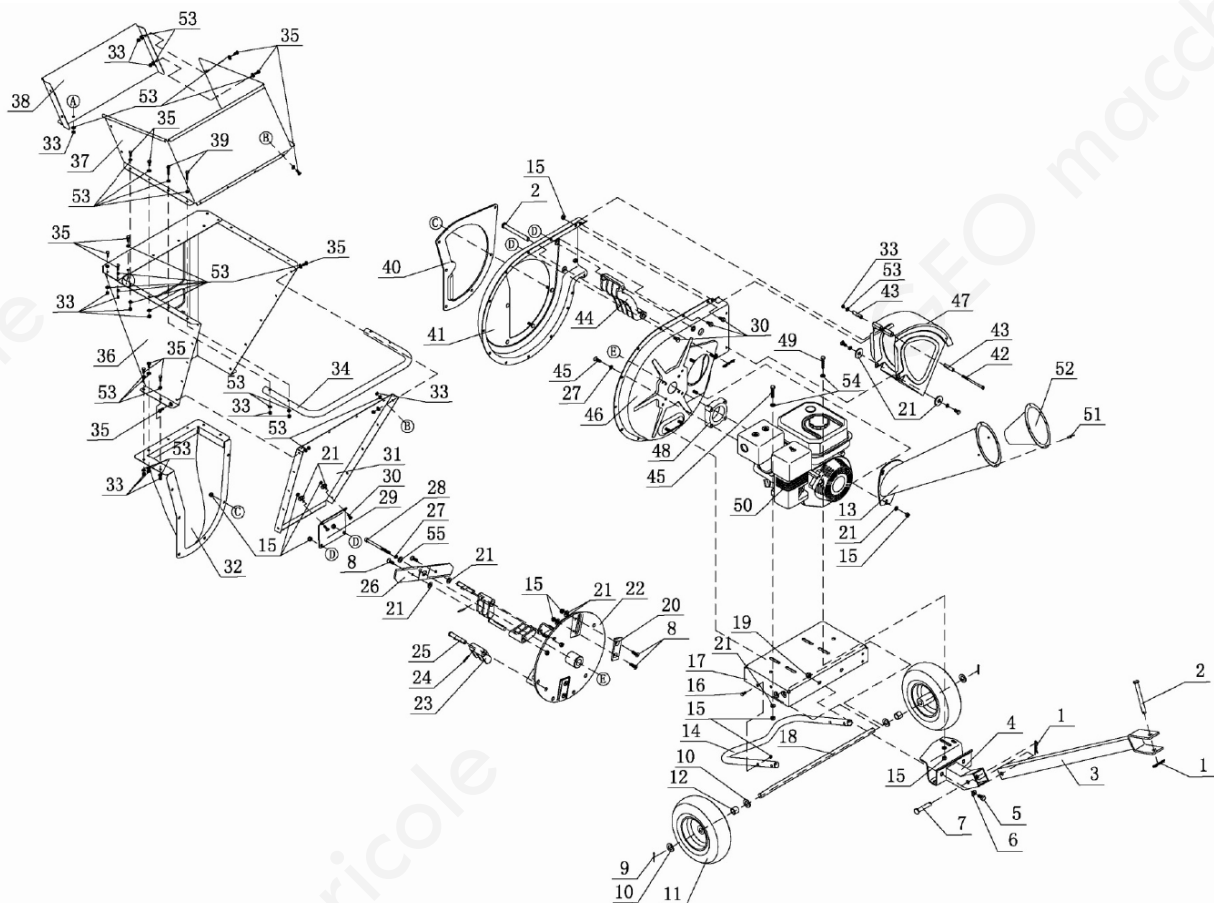
Macchina

ECO5



Sezione

ECO5



SerNo PartNo

Description

Quantity

SerNo	PartNo	Description	Quantity
1		R Pin	3
2		Hitch Pin	2
3		Tow Bar	1
4		Connector Tube	1
5		Hex Bolt M10X20	2
6		Flat Washer Ø10	2
7		Round Pin	1
8		Inner Hex Bolt M8X25	6
9		Cotter Pin Ø3X30	2

10	Flat Washer Ø16	4
11	Tire	2
12	Bushing	2
13	Chipper Hopper	1
14	Tube Support	1
15	Lock Nut M8	40
16	Hex Bolt M8X35	4
17	Frame Assembly	1
18	Axle	1
19	Lock Nut M10	2
20	Short Blade	2
21	Big Washer Ø8	17
22	Impeller Assembly	1
23	Hammer	4
24	Spring Pin Ø4x25	4
25	Hammer Pin	4
26	Long Blade	1
27	Spring Washer Ø8	1
28	Inner Hex Screw M8X110	1
29	Hopper Support Bracket	1
30	Hex Bolt M8X16	17
31	Back Board	1
32	Inlet Guide	1
33	Lock Nut M6	42
34	Hopper Handle	1
35	Hex Bolt M6X12	37
36	Middle Shredder Hopper	1
37	Upper Shredder Hopper	1
38	Front Board	1
39	Hex Bolt M6X35	4
40	Clapboard	1
41	Outer Fail Housing Assembly	1
42	Inner Hex Bolt M6X100	1
43	Bushing	2
44	Screen	1
45	Hex Bolt M8X40	7
46	Inner Fail Housing Assembly	1
47	Chute Deflector Assembly	1
48	Shield	1

49	Hex Bolt M8X45	1
50	6.5Hp Engine	1
51	Rivet Ø5x11	4
52	Chipper Hopper	1
53	Flat Washer Ø6	83
54	Flat Washer Ø8	4
55	Thick Big Flat Washer Ø8	1