

Macchina

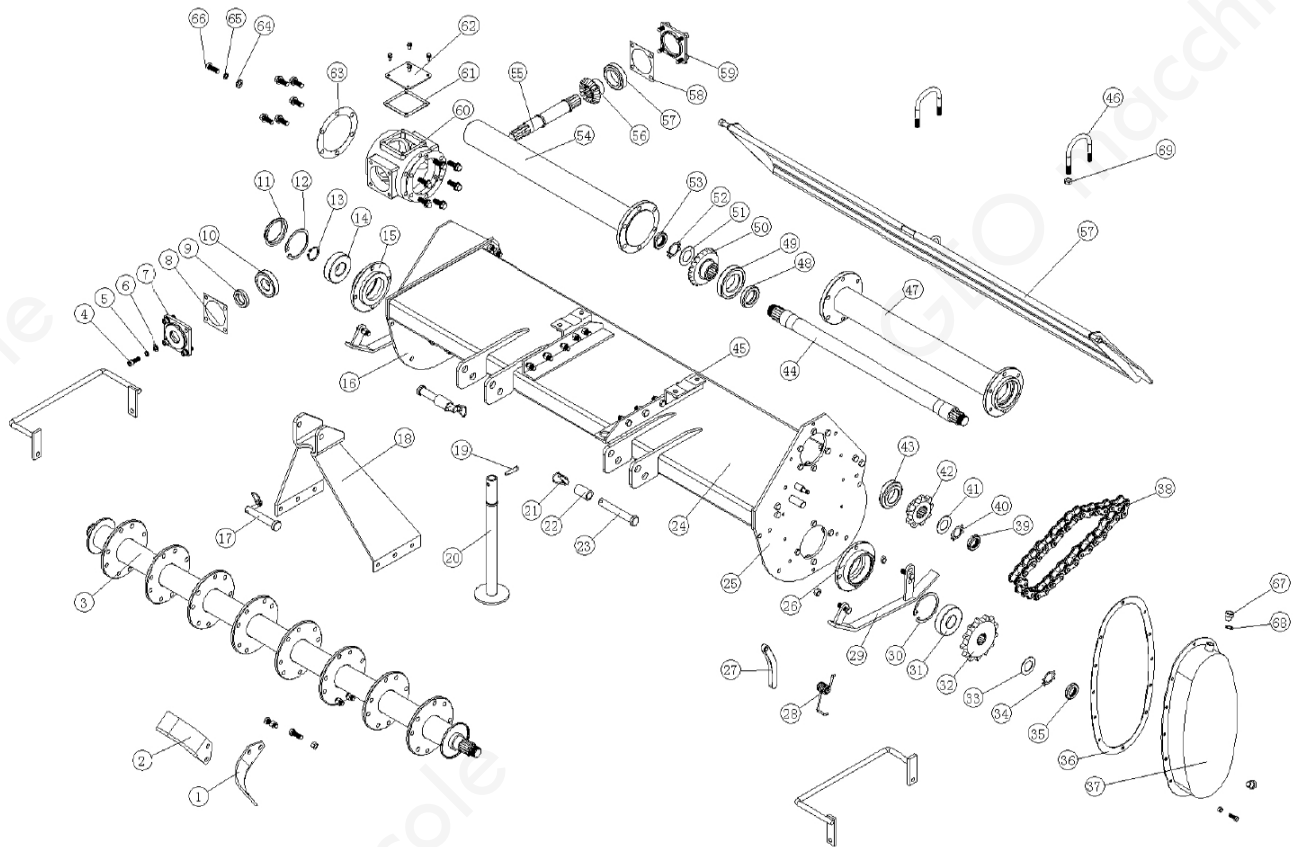
TLP



Sezione

1

TLP



SerNo	PartNo	Description	Quantity
	1	Left-bent blade	16
	2	Right-bent blade	16
	3,1	Blade shaft TLP150	1
	3,2	Blade shaft TLP180	1
	4	Blots	8
	5	Spring washer	
	6	Washer	
	7	Cap	1
	8	O il seal ring	2

9	Oil seal	1
10	Bearing	1
11	cover	1
12	Eyelet washer	1
13	Shaft washer	
14	Bearing	2
15	Bearing seat	1
16	Side board	1
17	Dowel	1
18	Shield protective cover	1
19	Dower	1
20	Stay bar	
21	Dower	3
22	Sheath	2
23	Dower	
24	Cover	1
25	Side board	1
26	Bearing seat	1
27	Tension plate	1
28	Spring	1
29	Anti-friction plate	2
30	Eyelet washer	
31	Bearing	
32	Big sprocket wheel	1
33	Washer	1
34	Stop washer	
35	Circular nut	1
36	Oil seal ring	1
37	Side chain gearbox	
38	Chain	1
39	Circular nut	
40	Stop washer	
41	Washer	1
42	Small sprocket wheel	1
43	Bearing	1
44,1	Second shaft TM150	1
44,2	Second shaft TM180	1
45	Angle iron	2
46	U-blots	2

47,1	Main frame pipe TM150	
47,2	Main frame pipe TM180	
48	O il seal	1
49	Bearing	1
50	Big bevel gear	1
51	Washer	1
52	Stop washer	1
53	Circular nut	1
54,1	Auxiliary frame pipe TM150	
54,2	Auxiliary frame pipe TM180	1
55	First shaft	1
56	Small bevel gear	1
57	Bearing	
58	O il seal ring	1
59	Cap	1
60,1	Complete Gearbox	
60,2	Intermediate gearbox	1
61	O il seal ring	1
62	Cap	1
63	O il seal ring	2
64	Suspension Slice	
65	Spring washer	
66	Bolts	2
67	O il plug	2
68	Copper gasket	