

Macchina

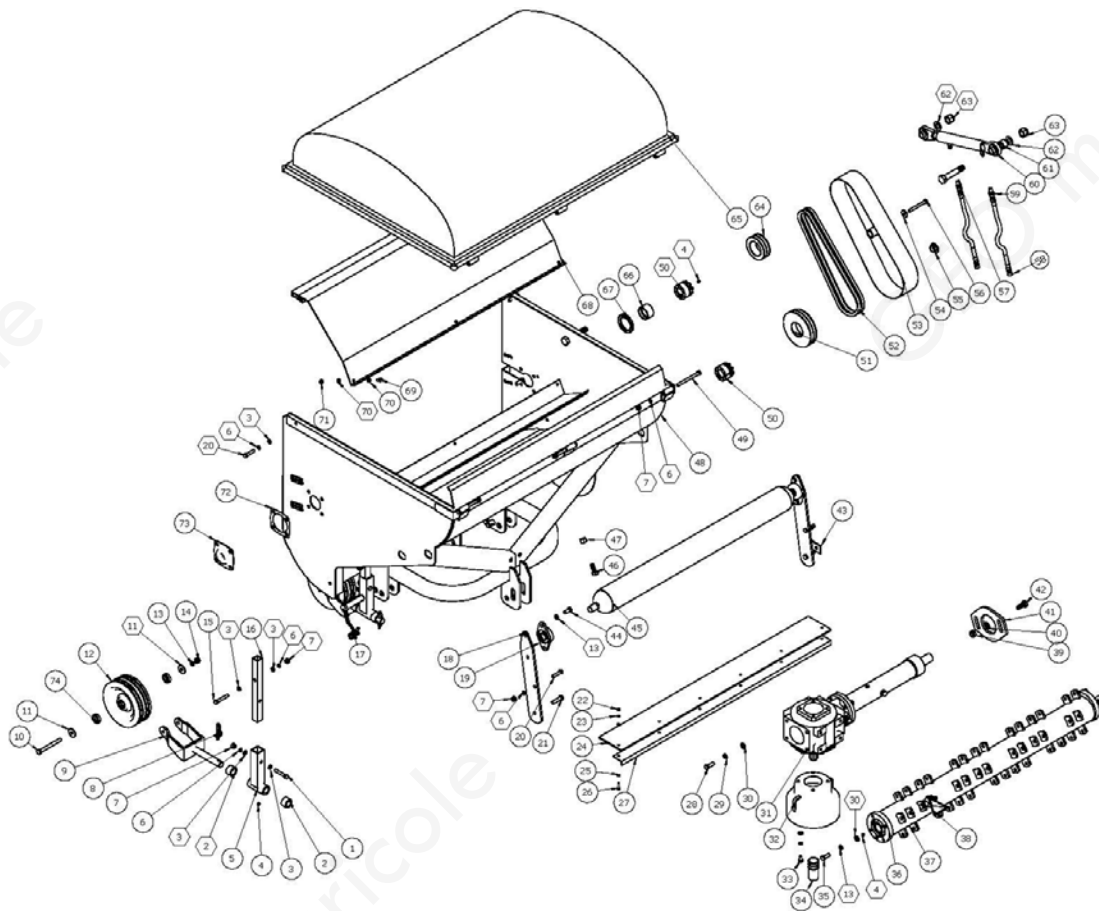
FL



Sezione

1

FL_part1



SerNo	PartNo	Description	Quantity
-------	--------	-------------	----------

1	GB5782-M10X60	half-thread bolt	2
2	RK120.101	adjusting ring	4
3	GB97.1-10	plain washer	8
4	GB1152-M8X1	oil cup	4
5	RK120.011	wheel shelf	2
6	GB93-10	spring washer	4
7	DIN985-M10	hexagon locking nut	7
8	200.56.011	lock pin	2
9	RK120.012	wheel fork	2

10	GB5782-M12X120	hafl-thread bolt	2
11	GB96.1-12	extra large plain washer	9
12	FM120.00.018	pulley	2
13	GB93-12	spring washer	13
14	DIN985-M12	hexa locking nut	8
15	GB5782-M10X65	half-thread bolt	2
16	RK120.102	wheel fork connecting tube	2
17	RKN120.018	lower link pin	2
18	RK120.106	support plate	2
19	UCFL205-45°	bearing	2
20	GB5782-M10X45	half thread bolt	2
21	GB5782-M12X45	half thread bolt	4
22	GB6170-M6	hexagon nut	6
23	GB93-6	spring washer	6
24,1	RK90.104	board(90)(L=895)	1
24,2	RK120.104	board(120)(L=1195)	1
24,3	RK160.104	board(160)(L=1595)	1
25	GB97.1-6	plain washer	12
26	GB5783-M6X25	screw bolt	6
27,1	RK90.103	press plate(90) (L=895)	1
27,2	RK120.103	press plate(120) (L=1195)	1
27,3	RK160.103	press plate(160)(L=1595)	1
28	GB5783-M12X35	screw bolt	4
29	GB93-12	spring washer	13
30	GB97.1-12	plain washer	13
31,1	RKN90.CDX-X	Transmission box(RKN90)	1
31,2	RKN120.CDX-X	Transmission box(RKN120)	1
31,3	RKN160.CDX-X	Transmission box(RKN160)	1
32	FM120.00.199	transmission shaft cover	1
33	GB5783-M10X20	screw bolt	4
34	EF100.00.177	Input shaft	1
35	GB5783-M12X30	screw bolt	9
36	UC207	bearing	2
37,1	RK90.020	blade shaft(90)	1
37,2	RK120.020	blade shaft(120)	1
37,3	RK160.020	blade shaft(160)	1
38	RKN120	blade configuration	28
39	DIN985-M14	Hexagon locking nut	2
40	GB97.1-14	plain washer	2

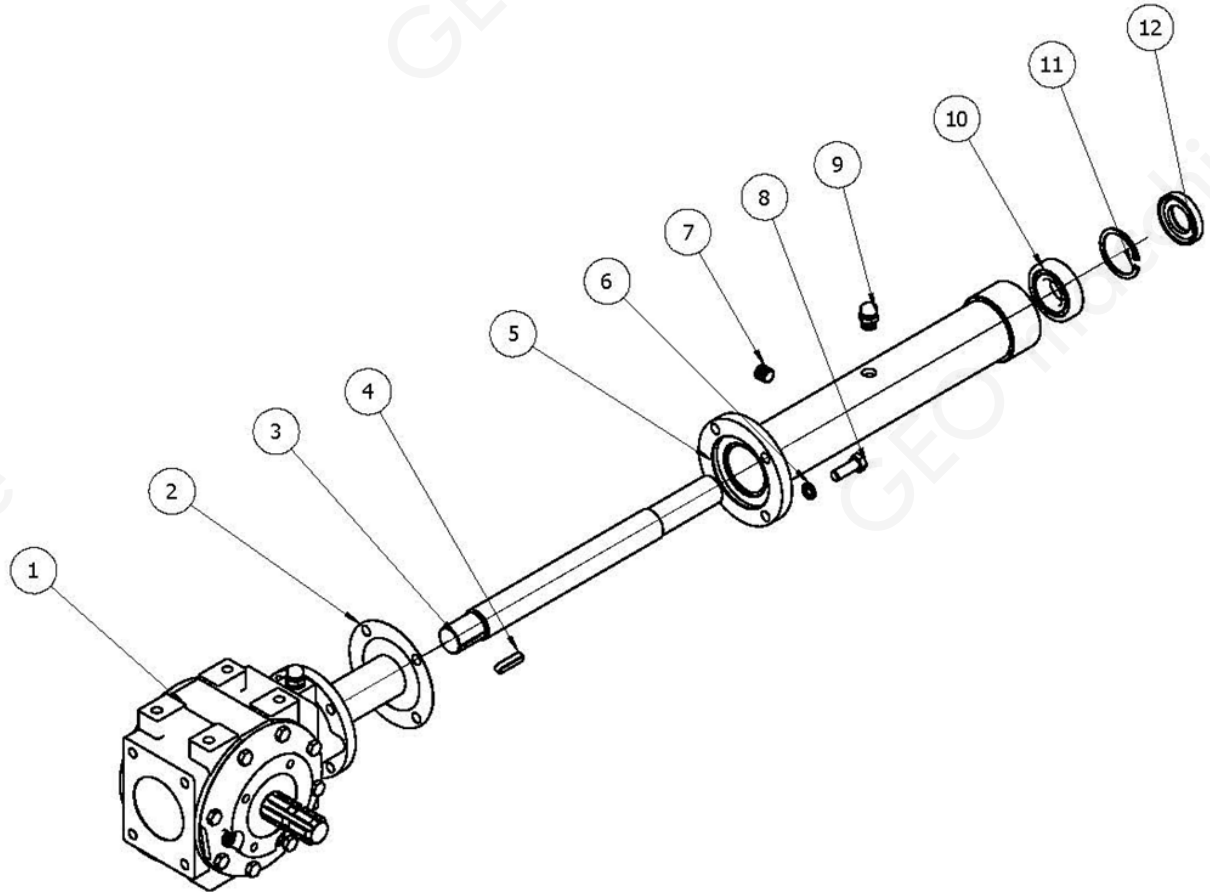
41	EFGC120.102A	locking plate	1
42	GB5783-M14X35	screw bolt	2
43	RK120.105	bearing board	1
44	GB5783-M12X25	screw bolt	4
45,1	EFG120.012-RK90	(L=882)roller(RK90)	1
45,2	EFG120.012-RK120	(L=1182)roller(RK120)	1
45,3	EFG120.012-RK160	(L=1582)roller(RK160)	1
46	GB5786-M16X1.5X50	screw bolt	1
47	GB6173-M16X1.5	thin nut	1
48,1	RKN90.013	engine cover(90)	1
48,2	RKN105.013	engine cover(120)	1
48,3	RKN120.013	engine cover(160)	1
49	GB5782-M10X120	half thread bolt	3
50	REACH04-35X60	power lock cover	2
51,1	RK120.113	Big pulley(RKN90/105/120)	1
51,2	RK120.113A	Big pulley(RKN160)	1
52	13X1020	toothed belt	2
53	RK120.021	belt pulley cover	1
54	GB96.1-10	extra large plain washer	4
55	GB5782-M12X90	Half thread bolt	1
56	EF100.00.119	(ϕ 28) rubber cover	1
57	RK120.015	pipeline L=2000	2
58	RK120.401	adapter	2
59	QUICK-COUPLING-G1/2-G	quick change pin end	2
60	RK120.022	cylinder	1
61	RKN120.107	spacer bush	2
62	GB97.1-20	plain washer	2
63	DIN985-M20	Hexagon locking nut	2
64,1	RK120.110	Small pulley(RKN90/105/120)	1
64,2	RK120.110A	Small pulley(RKN160)	1
65,1	RK90.016	Grass closet (90)	1
65,2	RK120.016	Grass closet (120)	1
65,3	RK160.016	Grass closet (160)	1
66	RK120.109	Oil seal cover	1
67	GB13871-FB-55X80X8	FB oil seal	1
68,1	RK90.014	Inner lining panel(90)	1
68,2	RK120.014	Inner lining panel(120)	1
68,3	RK160.014	Inner lining panel(160)	1
69	GB5783-M8X20	screw bolt	3

70	GB97.1-8	plain washer	6
71	DIN985-M8	Hexagon locking thin nut	3
72	EFG120.169	oil nipple paper pad	1
73	EFG120.168	oil nipple cap	1
74	FM120.00.120-1	nylon cover	4

Sezione

2

FL_part2



SerNo	PartNo	Description	Quantity
-------	--------	-------------	----------

1	XH50.300Z.02W	gear box	1
2	EFGC120.131	paper pad	1
3,1	EFGC120.133A-RK90	shaft (90)(L=275)	1
3,2	EFGC120.133A-RK105	shaft(120)(L=425)	1
3,3	EFGC120.133A	shaft(160)(L=625)	1
4	GB1096-A-10X8X40	A flat key	1
5,1	EFGC120.018A-RK90	shaft tube(90)(L=294)	1
5,2	EFGC120.018A-RK105	shaft tube(120)(L=444)	1
5,3	EFGC120.018A	shaft tube(160)(L=644)	1
6	GB93-12	spring washer	4
7	ZBT32001.3-ZG3/8-19"	inner hexagon tapered plug	1
8	GB70.1-M12X35	Inner hexagon socket cap screws	1

9	CBW-00-011B	Air plug	1
10	GB276-6207-2Z	Deep groove ball bearing	1
11	GB893.1-72	Check ring	1
12	GB13871-FB-35X72X12	FB oil seal	1