

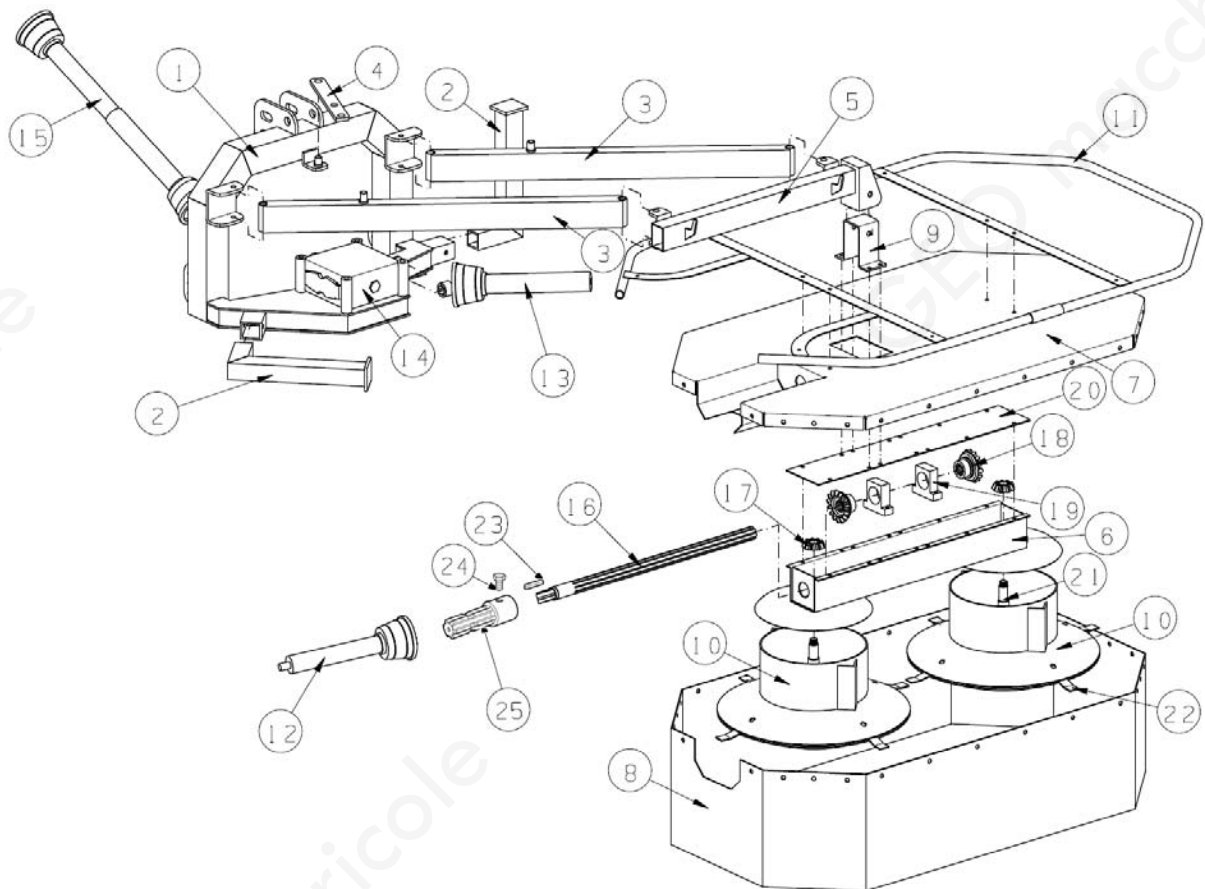
Macchina

L



## Sezione

L



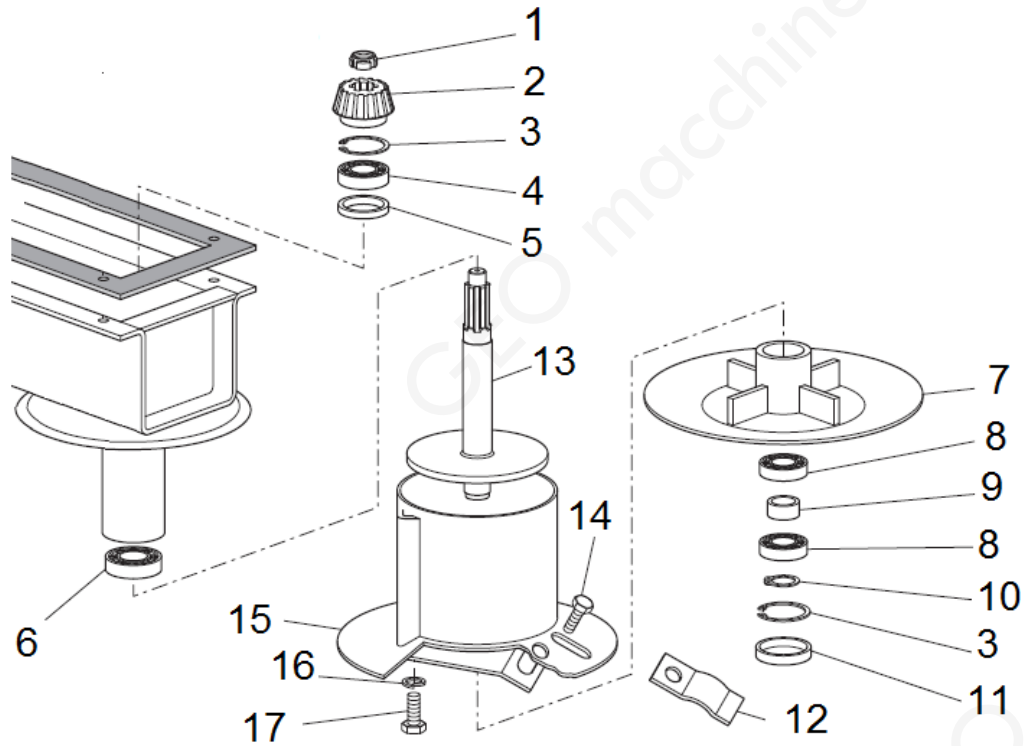
SerNo	PartNo	Description	Quantity
1	L100.101	linkage	1
2	L100.102	leg	1
3	L100.103	arm	2
4	L100.104	control bar	1
5,1	L100.105	real arm L100	1
5,2	L135.105	real arm L135	1
6	L100.106	Gear Tank	1
7	L100.107	Tank Cover	1
8,1	L100.108	fabric L100	1

8,2	L135.108	fabric L135	1
9	L100.109	U linkage	1
10	L100.110	Disc Assembly	2
11,1	L100.111	Protect tube L100	1
11,2	L135.111	Protect tube L135	1
12	L100.112	PTO&CLUTCH	1
13	L100.113	PTO&CLUTCH	1
14	L100.114	Gearbox	1
15	L100.115	rear PTO	1
16,1	L100.116	Gear axle L100	1
16,2	L135.116	Gear axle L135	1
17,1	L100.117	bottom Gear L100	2
17,2	L135.117	bottom Gear L135	2
18	L100.118	top gear	2
19	L100.119	Bear Seat	2
20,1	L100.120	Gearbox plate L100	1
20,2	L135.120	Gearbox plate L135	1
21	L100.121	turn gear	2
22	L100.122	BLADE	6
23	L100.123	R pins	1
24	L100.124	bolts	1
25	L100.125	6 cluth axle	1

Sezione

2

L\_part2



SerNo	PartNo	Description	Quantity
1		Bolt M20 x 1	1
2		Small Gear	2
3		Circlip 52	4
4		Bearing 6205	7
5		Oil Seal 29 x 50 x 10	2
6		Bearing 6006	2
7		Disk Support	2
8		Bearing 6205	4
9		Spacer	2
10		Circlip 25	5
11		Cover	2
12		Blade	4
13		Shaft	2
14		Bolt 10 x 20	4
15		Disk	2
16		Washer 10	18
17		Bolt 10 x 20	10