

Macchina

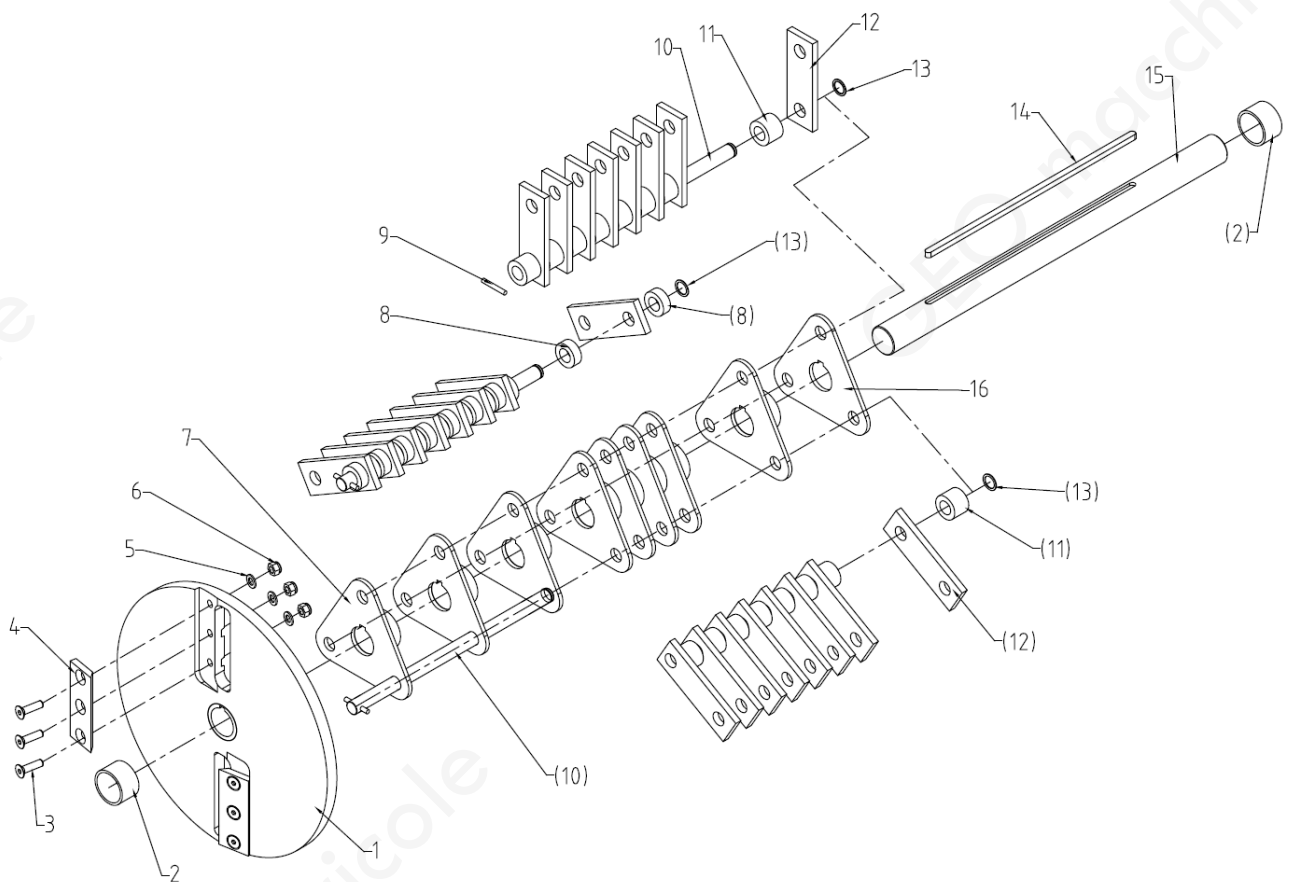
ECO19



Sezione

1

ECO19_Disk&Hammers



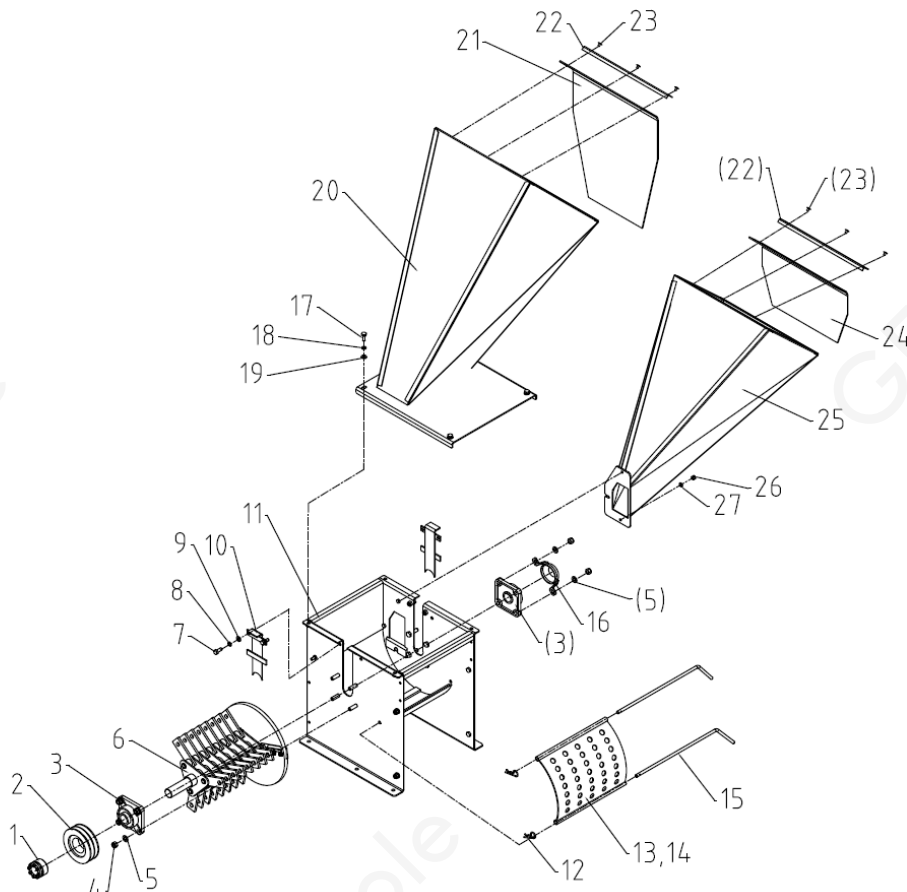
| SerNo | PartNo | Description | Quantity |
|-------|--------------|-----------------------|----------|
| 1 | ECO19.023 | Rotor,wdmt | 1 |
| 2 | ECO19.114 | Spacer | 2 |
| 3 | GB2673-M8x30 | Countersunk screw m8x | 6 |
| 4 | ECO19.115 | Knife | 2 |
| 5 | GB97.1-8 | Plain washer 8 | 3 |
| 6 | GB889.1-M8 | Lock nut m8 | 3 |
| 7 | ECO19.024 | Shaft holder,wdmt | 8 |
| 8 | ECO19.120 | Short spacer | 16 |
| 9 | GB879-5x35 | SPRING PIN 5x35 | 3 |

| | | | |
|----|-----------------|-------------------|----|
| 10 | ECO19.116 | Shaft | 3 |
| 11 | ECO19.119 | Long spacer | 16 |
| 12 | ECO19.117 | Flail knife | 24 |
| 13 | GB893.1-16 | Retaining ring 16 | 3 |
| 14 | GB1096-A8x7x328 | Key a8x7x328 | 1 |
| 15 | ECO19.113 | Main shaft | 1 |
| 16 | ECO19.118 | Plate | 1 |

Sezione

2

ECO19_Hoppers



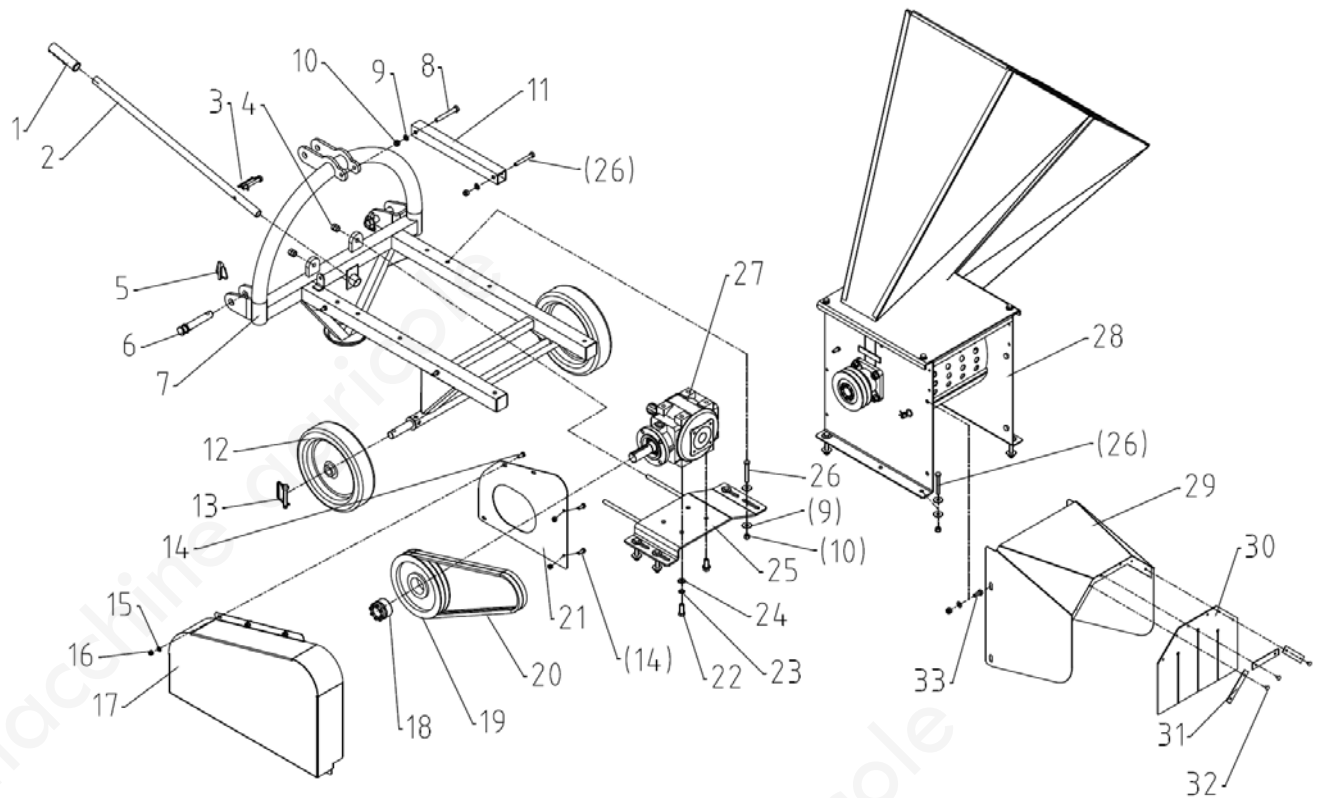
| SerNo | PartNo | Description | Quantity |
|-------|---------------|------------------------|----------|
| 1 | REACH 04-3560 | Clamping coupling 3560 | 1 |
| 2 | ECO19.103 | Pulley | 1 |
| 3 | F90507 | Bearing UCFL207 | 2 |
| 4 | GB889.1-M12 | Lock nut m12 | 8 |
| 5 | GB97.1-12 | Plain washer 12 | 8 |
| 6 | ECO19.003 | Rotor,assy | 1 |
| 7 | GB5783-M10x25 | Bolt m10x25 | 4 |
| 8 | GB93-10 | Lock washer 10 | 4 |
| 9 | GB97.1-10 | Plain washer 10 | 4 |
| 10 | ECO19.019 | Patching plate,wdmt | 2 |

| | | | |
|----|---------------|--------------------------------|---|
| 11 | ECO19.013 | Housing,wdmt | 1 |
| 12 | R PIN 3.2 | R pin 3.2 | 2 |
| 13 | ECO19.017 | Sifting plate,wdmt Standard | 1 |
| 14 | ECO19.018 | Sifting plate,wdmt Small Holes | 1 |
| 15 | ECO19.109 | Supporting rod | 2 |
| 16 | ECO19.022 | Cover,bearing | 1 |
| 17 | GB5783-M10x25 | Bolt m10x25 | 4 |
| 18 | GB93-10 | Lock washer 10 | 4 |
| 19 | GB97.1-10 | Plain washer 10 | 4 |
| 20 | ECO19.015 | Upper hopper | 1 |
| 21 | ECO19.111 | Entrance flap,upper | 1 |
| 22 | ECO19.112 | Clamping plate | 2 |
| 23 | JB4005-6x12 | RIVET 6x12 | 6 |
| 24 | ECO19.110 | Entrance flap,lower | 1 |
| 25 | ECO19.014 | Lower hopper | 1 |
| 26 | GB889.1-M8 | Lock nut m8 | 3 |
| 27 | GB97.1-8 | Plain washer 8 | 3 |

Sezione

3

ECO19_MainAssembly



SerNo PartNo

Description

Quantity

| | | | |
|----|-----------------|------------------------|----|
| 1 | LS18.101 | Handle cover | 1 |
| 2 | ECO19.101 | Draw bar | 1 |
| 3 | DP8x60 | Lock pin d8x60 | 1 |
| 4 | GB6170-M12 | Nut m12 | 4 |
| 5 | LP12 | Lock pin 12 | 2 |
| 6 | T150.101 | Lower hitch pin | 2 |
| 7 | ECO19.011 | Main frame,wgmt | 1 |
| 8 | GB5782-M10x90 | Bolt m10x90 | 1 |
| 9 | GB97.1-10 | Plain washer 10 | 22 |
| 10 | GB889.1-M10 | Lock nut m10 | 14 |
| 11 | ECO19.102 | Connecting rod | 1 |
| 12 | ECO19.021 | Wheel,set | 2 |
| 13 | DP12x60 | Lock pin d12x60 | 2 |
| 14 | GB5783-M8x20 | Bolt m8x20 | 4 |
| 15 | GB97.1-8 | Plain washer 8 | 5 |
| 16 | GB889.1-M8 | Lock nut m8 | 5 |
| 17 | ECO19.020 | Shield,pulley | 1 |
| 18 | REACH 04-3360 | Clamping coupling 3360 | 1 |
| 19 | EFGC125.121 | Pulley | 1 |
| 20 | GB11544-SPB1295 | V-belt spb1295 | 2 |
| 21 | ECO19.105 | Connecting plate | 1 |
| 22 | GB5783-M12x35 | Bolt m12x35 | 4 |
| 23 | GB93-12 | Lock washer 12 | 4 |
| 24 | GB97.1-12 | Plain washer 12 | 4 |
| 25 | ECO19.012 | Mounting base,gearbox | 1 |
| 26 | GB5782-M10x75 | Bolt m10x75 | 10 |
| 27 | TS50.300Z.02 | Gearbox,assy | 1 |
| 28 | ECO19.002 | Chipper,assy | 1 |
| 29 | ECO19.016 | Discharge cover | 1 |
| 30 | ECO19.106 | Discharge flap | 1 |
| 31 | ECO19.107 | Clamping plate | 3 |
| 32 | JB4005-6x12 | Rivet 6x12 | 6 |
| 33 | GB5783-M10x25 | Bolt m10x25 | 4 |