

Macchina

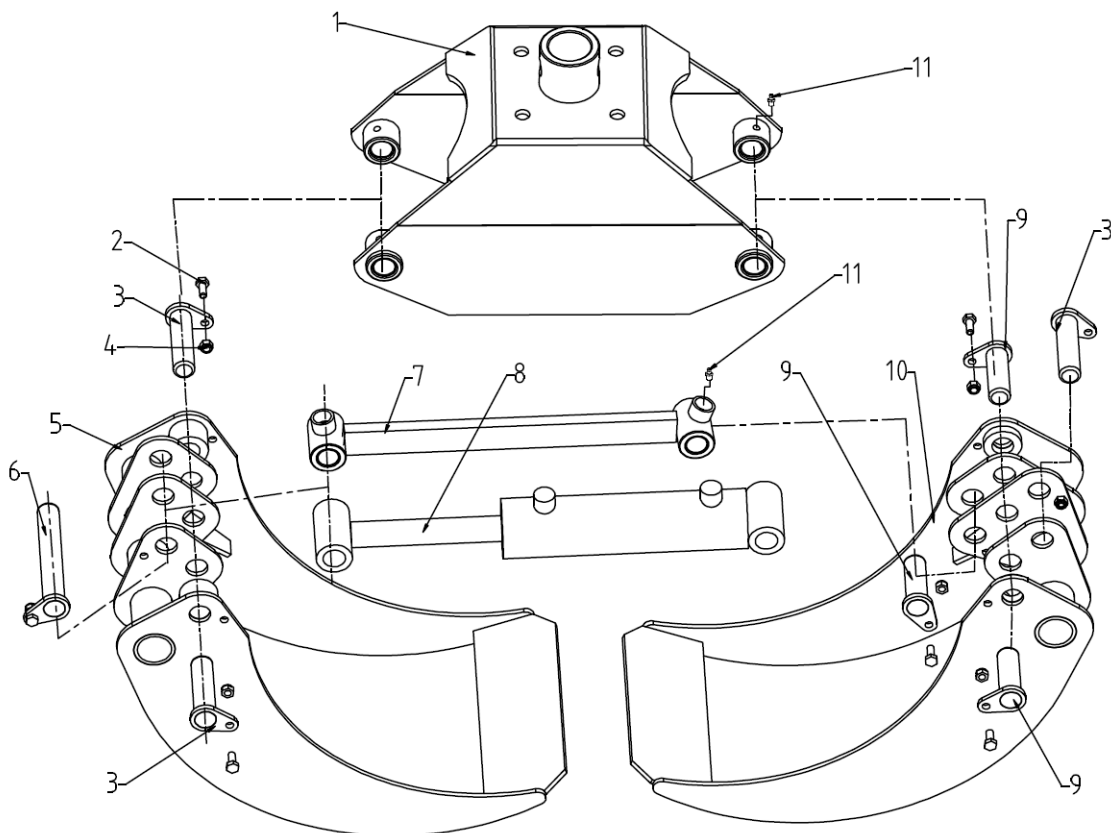
LG510



Sezione

1

LG510



SerNo	PartNo	Description	Quantity
1	ZD100.011	Main Frame	1
2	GB5783-2000	Bolt M8X20	7
3	ZD100.016	97Pin	3
4	GB/T889.1	Lock nut M8	7
5	ZD100.013	fork weldment (L)	1
6	ZD100.017	170Pin	1
7	ZD100.014	linkage bar	1
8	ZD100.018	cylinder	1
9	ZD100.015	78Pin	3

10	ZD100.012	fork weldment (R)	1
11	GB1152-89	zerk M6X1	6