

Macchina

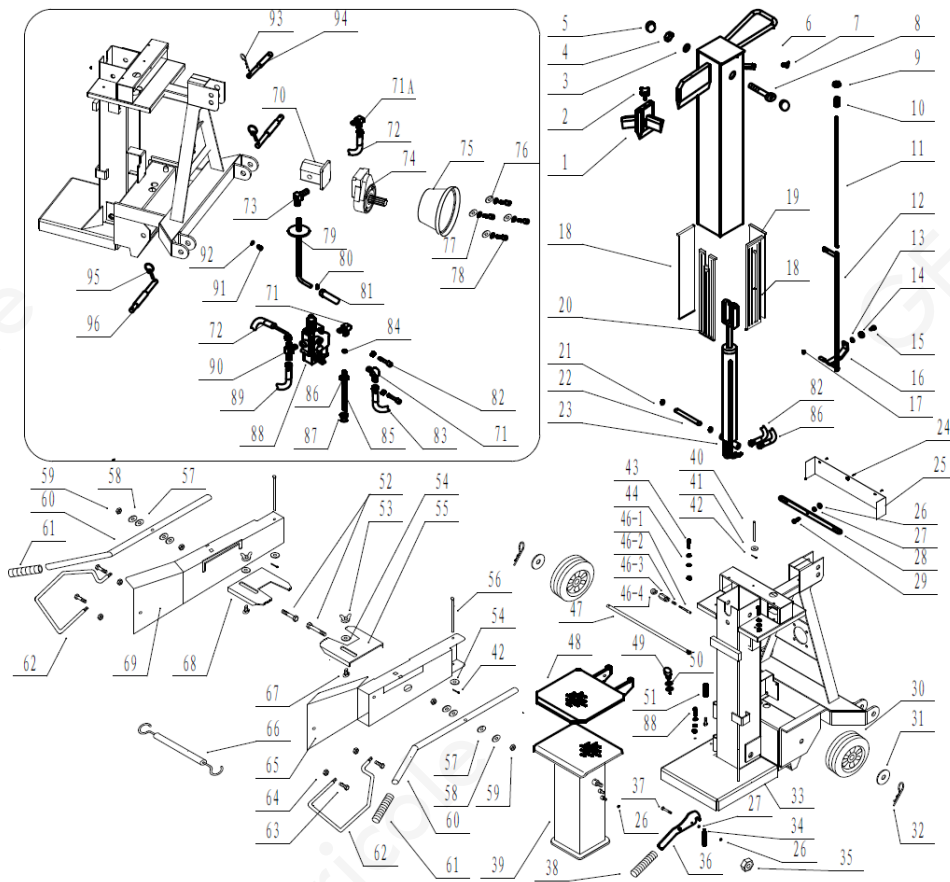
TD



Sezione

1

TD



| SerNo | PartNo | Description                 | Quantity |
|-------|--------|-----------------------------|----------|
| 1     |        | Cross knife                 | 1        |
| 2     |        | Bolt m8x25                  | 1        |
| 3     |        | Spring washer 20            | 1        |
| 4     |        | Pressed nut m20             | 1        |
| 5     |        | Plug                        | 2        |
| 6     |        | Knife column assmeble       | 1        |
| 7     |        | Bolt M8                     | 1        |
| 8     |        | Hexagon socket screw M20X70 | 1        |
| 9     |        | Flange lockup nut m8        | 1        |

|      |                                     |    |
|------|-------------------------------------|----|
| 10   | Spring for stroke rod               | 1  |
| 11   | Stroke rod                          | 1  |
| 12   | Stroke cover of stroke              | 1  |
| 13   | Spring washer 10                    | 1  |
| 14   | Nut m10                             | 1  |
| 15   | Bolt m10*20                         | 1  |
| 16   | Plate                               | 1  |
| 17   | Circlip 9                           | 1  |
| 18   | Slidding plate left-right           | 1  |
| 19   | Rear slidding plate                 | 1  |
| 20   | Front slidding plate                | 1  |
| 21   | Circlip 25                          | 2  |
| 22   | Cylinder axis                       | 1  |
| 23   | Hydraulic cylinder                  | 1  |
| 24   | Hexagon lockup screw with flange M5 | 3  |
| 25   | Cover                               | 1  |
| 26   | Flange lockup nut m6                | 3  |
| 27   | Nut m6                              | 2  |
| 28   | Transition plate                    | 1  |
| 29   | Bolt m6*25                          | 1  |
| 30   | Wheel                               | 2  |
| 31   | Flat washer 20                      | 2  |
| 32   | Clip                                | 2  |
| 33   | Body assemble                       | 1  |
| 34   | Hook spring                         | 1  |
| 35   | Self-locking nut m10                | 1  |
| 36   | Hook                                | 1  |
| 37   | Bolt m6*20                          | 1  |
| 38   | Handle cover                        | 1  |
| 39   | Turning table                       | 1  |
| 40   | B type pin B6X146                   | 1  |
| 41   | Flat washer 6                       | 1  |
| 42   | Cotter pin $\Phi$ 2x12              | 3  |
| 43   | Hexagon socket screw M8X20          | 2  |
| 44   | Spring washer 8                     | 10 |
| 46,1 | Lock pin                            | 1  |
| 46,2 | Lock pin spring                     | 1  |
| 46,3 | Plug for working                    | 1  |
| 46,4 | Lock pin cover                      | 1  |

|      |                                       |    |
|------|---------------------------------------|----|
| 47   | Weeel axle                            | 1  |
| 48   | Working table assemble                | 1  |
| 49   | Oil guard assembly                    | 1  |
| 50   | Oil seal o-ring $\phi 15 \times 2.65$ | 2  |
| 51   | Turning table spring                  | 1  |
| 52   | Bolt m8*45                            | 2  |
| 53   | Hexagonal nut m8                      | 2  |
| 54   | Flat washer 8                         | 7  |
| 55   | Right protector plate                 | 1  |
| 56   | B type pin B8X100                     | 2  |
| 57   | Washer                                | 4  |
| 58   | Big flat washer $\Phi 8 \times 25$    | 6  |
| 59   | Self-locking nut m8                   | 3  |
| 60   | Handle                                | 2  |
| 61   | Handle cover                          | 2  |
| 62   | Handle protector left-right           | 2  |
| 63   | Bolt m8*16                            | 4  |
| 64   | Nut m8                                | 10 |
| 65   | Right protector cover                 | 1  |
| 66   | Rubber rope                           | 1  |
| 67   | Round head square neck bolt M8X16     | 2  |
| 68   | Left protector plate                  | 1  |
| 69   | Left protector cover                  | 1  |
| 70   | Hydraulic pump                        | 1  |
| 71,1 | Connector R1/2-M22X1.6                | 1  |
| 71,2 | Connector R3/8-M22X1.5                | 2  |
| 72   | Rubber hose                           | 1  |
| 73   | Connector                             | 1  |
| 74   | Reducer                               | 1  |
| 75   | Plastic cover                         | 1  |
| 76   | Flat washer 10                        | 4  |
| 77   | Spring washer 10                      | 4  |
| 78   | Hexagon socket screw m10*25           | 4  |
| 79   | Rubber hose                           | 1  |
| 80   | Screw m6*6                            | 1  |
| 81   | Filter assembly                       | 1  |
| 82   | Hexagon socket screw m8x55            | 2  |
| 83   | Pipe 580mm                            | 1  |
| 84   | Cover $\phi 16$                       | 1  |

|    |                                  |   |
|----|----------------------------------|---|
| 85 | Rubber tube                      | 1 |
| 86 | Nut m16                          | 1 |
| 87 | Annular tube $\phi$ 16           | 1 |
| 88 | Direction valve                  | 1 |
| 89 | Rubber hose 530mm                | 1 |
| 90 | Direction connector R3/8-M22X1.5 | 1 |
| 91 | Plug                             | 1 |
| 92 | O-ring of oil guard              | 1 |
| 93 | Clip                             | 1 |
| 94 | Upper pin White zinc plated      | 1 |
| 95 | Clip                             | 2 |
| 96 | Lower pin White zinc plated      | 2 |