

Macchina

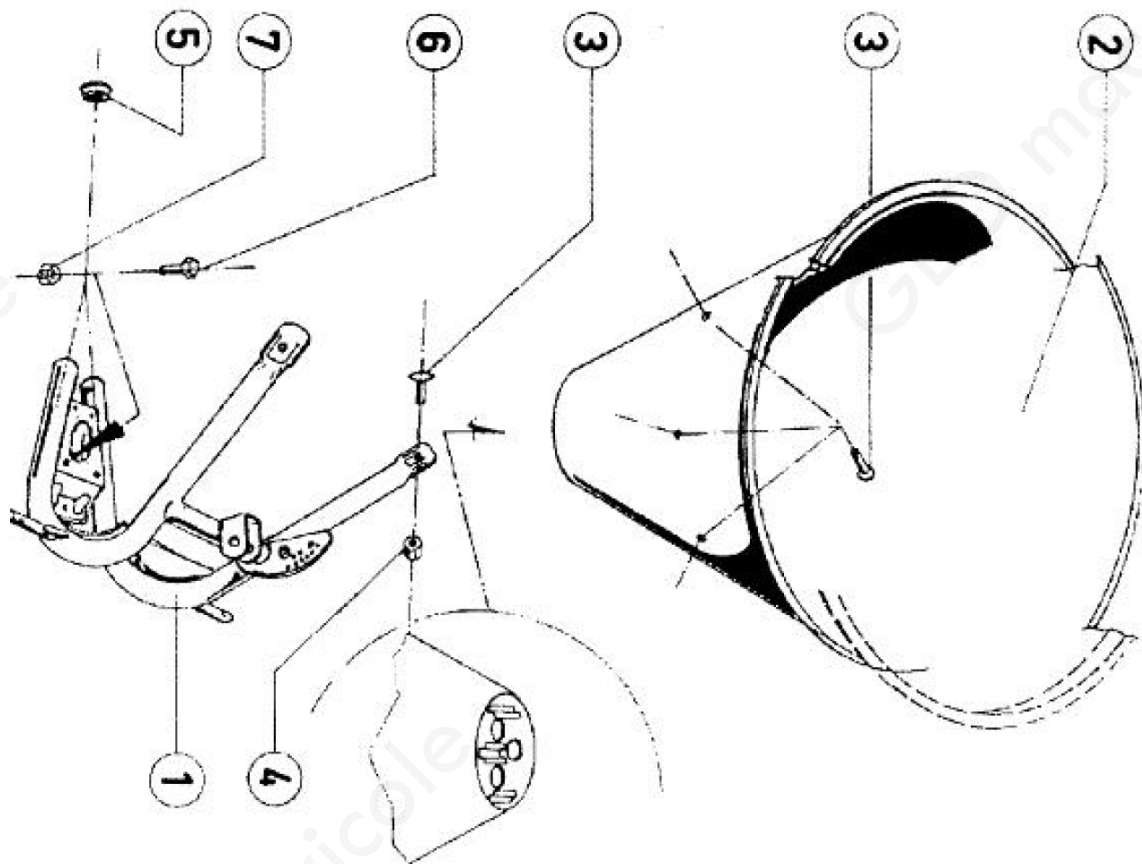
GSC



Sezione

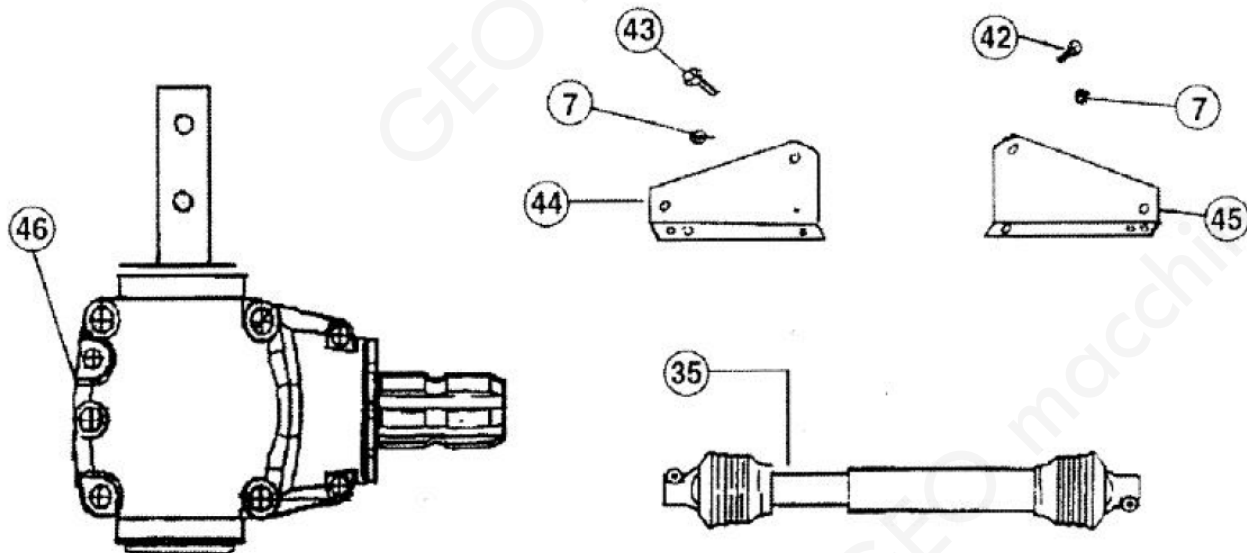
1

GSC_assembly

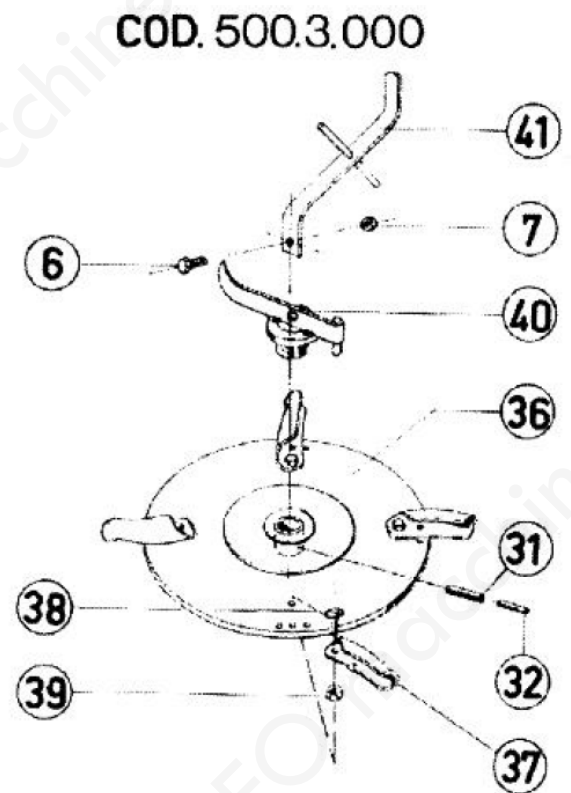
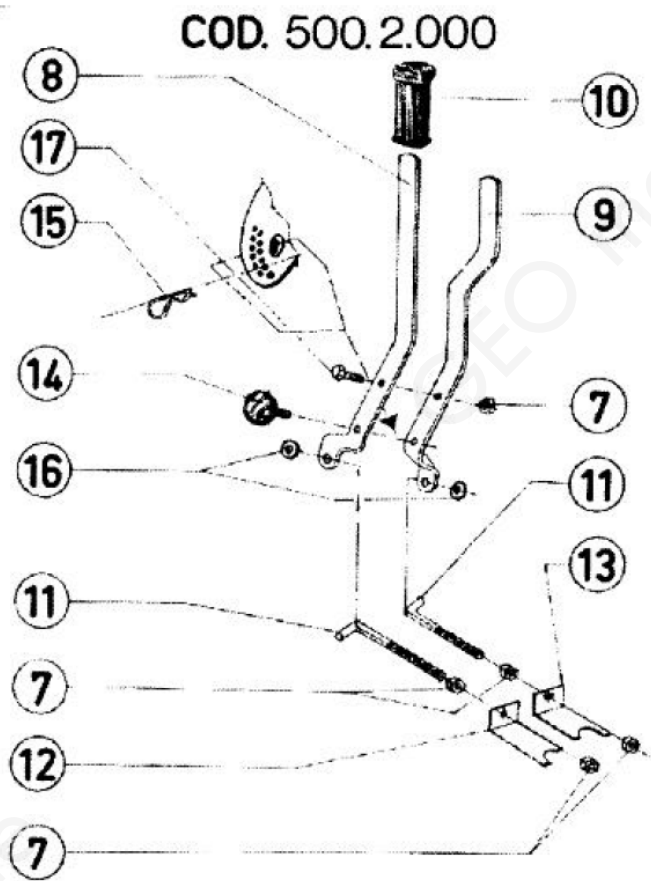


SerNo	PartNo	Description	Quantity
1	500.0.001	FRAME	1
2,1	180.0.002	HOPFER FOR GSC 180	1
2,2	300.0.002	HOPFER FOR GSC 300	1
2,3	500.0.002	HOPFER FOR GSC 500	1
3	500.0.003	SQUARE HEAD BOLTT 10X20	3
4	500.0.004	NUT M10	3
5	500.0.005	PLASTIC CAP 60X2.5	2
6	500.0.006	BOLT 10X25	5
7	500.0.007	SELF LOCK NUT M10	10

GSC_gearbox



SerNo	PartNo	Description	Quantity
7	500.0.007	SELF LOCK NUT M10	6
35	500.0.035	PTO SHAFT	1
42	500.0.042	BOLT 10x25	4
43	500.0.043	BOLT 10x110	2
44	500.0.044	LEFT SUPPORT GEAR BOX	1
45	500.0.045	RIGHT SUPPORT GEAR BOX	1
46	500.0.046	GEAR BOX	1



SerNo	PartNo	Description	Quantity
6	500.0.006	BOLT 10X25	5
7	500.0.007	SELF LOCK NUT M10	10
8	500.0.008	RIGHT LEVER	1
9	500.0.009	LEFT LEVER	1
10	500.0.010	RUBBER HANDLE	1
11	500.0.011	TIE ROD	2
12	500.0.012	RIGHT SHUTTER	1
13	500.0.013	LEFT SHUTTER	1
14	500.0.014	LOCK KNOB	1
15	500.0.015	R PIN DIA 4.5	1
16	500.0.016	WASHER 10.5X21	2
17	500.0.017	BOLT 10X30	1
31	500.0.031	ROLL PIN 8X40	2
32	500.0.032	ROLL PIN 5X40	2
36	500.0.036	SPREADING DISC	1
37	500.0.037	VANE	4
38	500.0.038	SQUARE HEAD BOLT 8X16	4
39	500.0.039	NUT M8	4
40	500.0.040	LOWER AGITATOR	1

