

Macchina

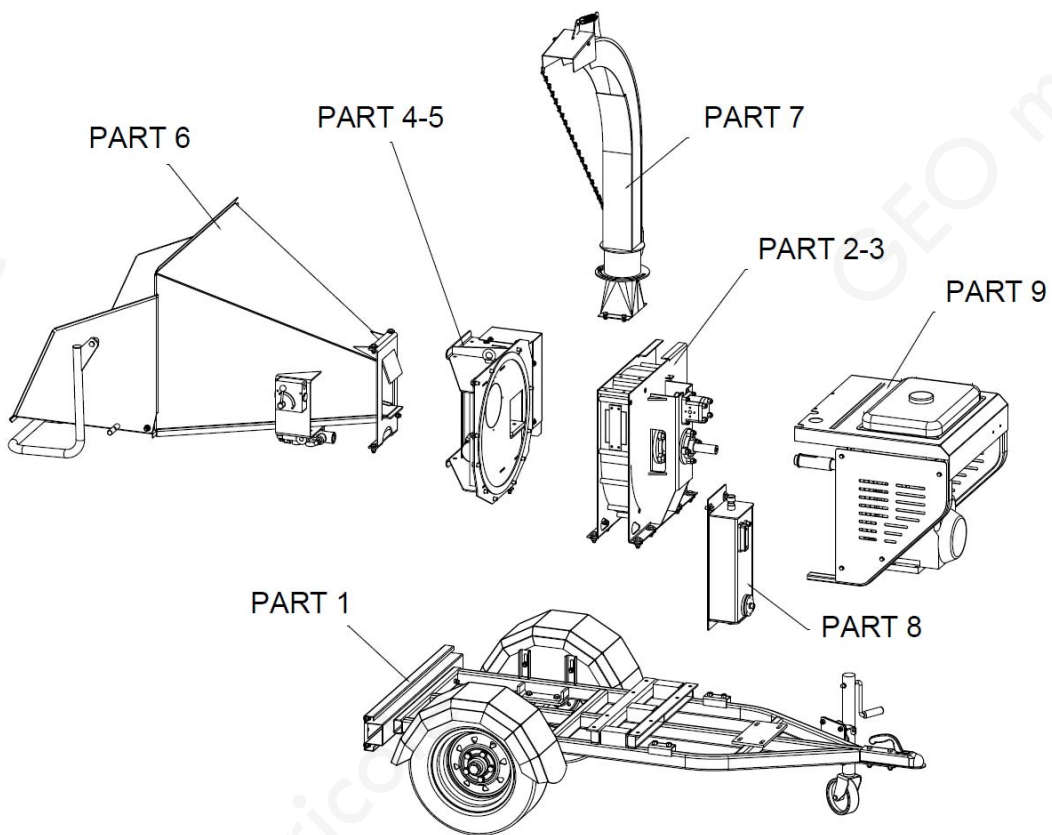
ECO25



Sezione

0

ECO25\_parto



SerNo PartNo

Description

Quantity

1

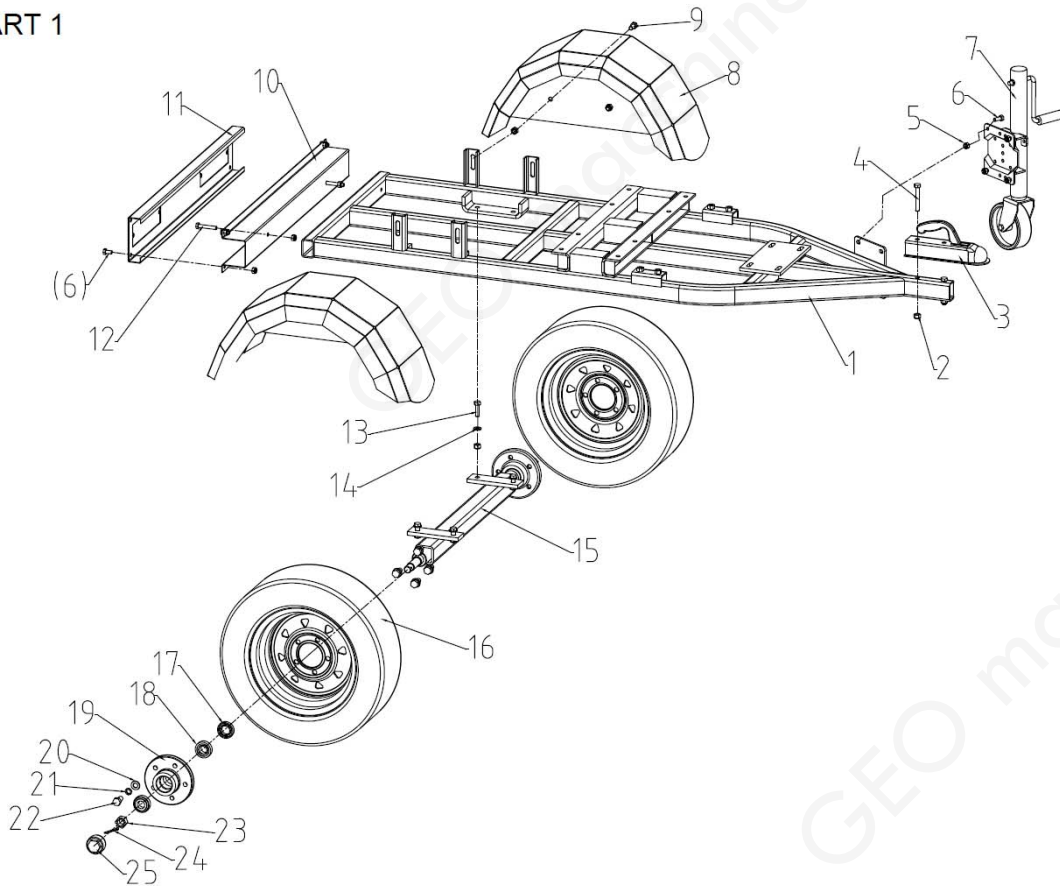
ECO25

1

Sezione

1

## PART 1



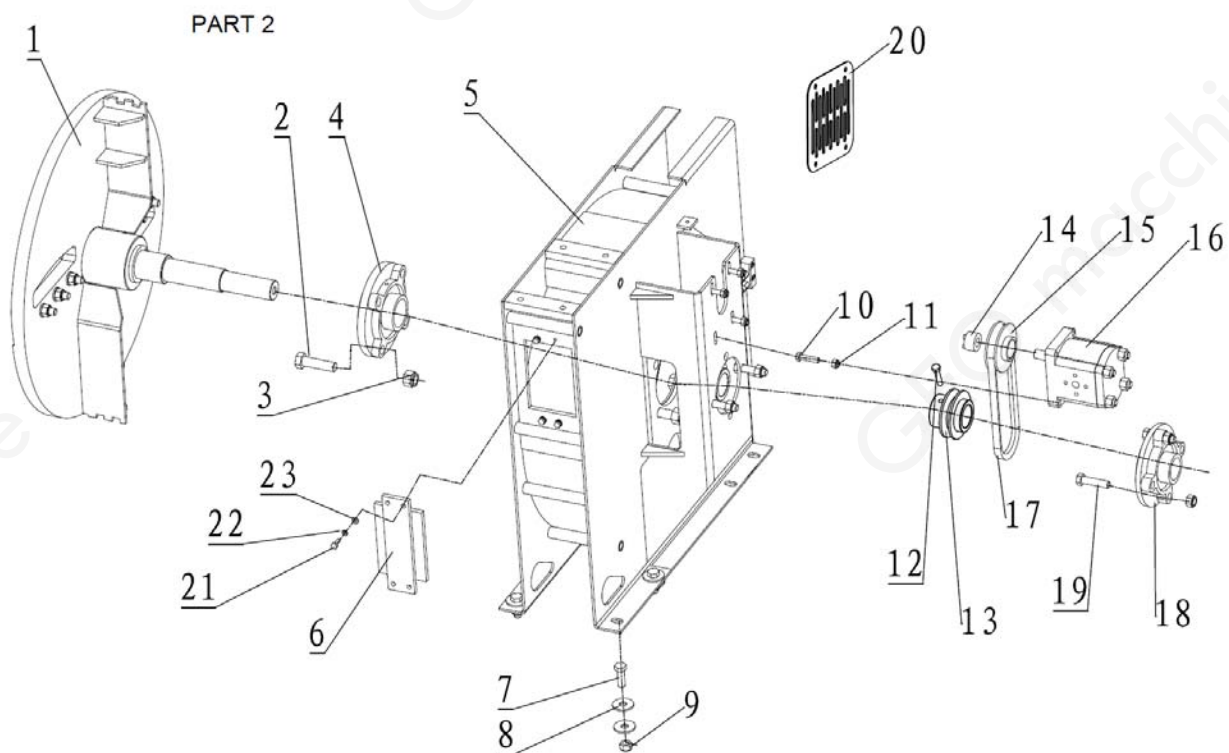
SerNo	PartNo	Description	Quantity
1	CPG513.10.011	CHASSIS,WLD	1
2	GB889.1	LOCK NUT M12	10
3	QT50	CONNECTOR,ASMB	1
4	GB5782	BOLT M12x80	2
5	GB889.1	LOCK NUT M10	14
6	GB5783	BOLT M10x25	12
7	W150	SUPPORTING WHEEL,ASMB	1
8	CPG513.10.013	FENDER,WLD	2
9	GB5783	BOLT M12x25	4
10	CPG513.10.103	FLASH MOUNTING,INNER	1
11	CPG513.10.104	FLASH MOUNTING,OUTER	1
12	GB5782	BOLT M10x60	2
13	GB5783	BOLT M12x40	4
14	GB97.1	PLAIN WASHER 12	4
15	CPG513.10.012	AXLE,WLD	1
16	165/70R13	TIRE,ASMB	2
17	GB13871	SEAL 30x52x10	2
18	GB297	BEARING 30205	4
19	CPG513.10.101	HUB	2

20	GB97.1	PLAIN WASHER 14	10
21	GB93	LOCK WASHER 14	10
22	GB5786	BOLT M14x1.5x30	10
23	GB9459	NUT M22x1.5	2
24	GB/T91	COTTER 5x40	2
25	CPG513.10.102	CUP	2

Sezione

2

ECO25\_part2



SerNo	PartNo	Description	Quantity
1	CP5.20.002	ROTOR,WELDED	1
2	GB5783	BOLT M16x60	4
3	GB889.1	LOCK NUT M16	4
4	UCFC210	BEARING 210	1
5	CPG513.20.011	HOUSING,WELDED	1
6	CP5.20.012	COVER,WELDED	1
7	GB5783	BOLT M12x35	8
8	GB96	PLAIN WASHER 12	16
9	GB889.1	LOCK NUT M12	12
10	GB5783	BOLT M8x35	4
11	GB889.1	LOCK NUT M8	4

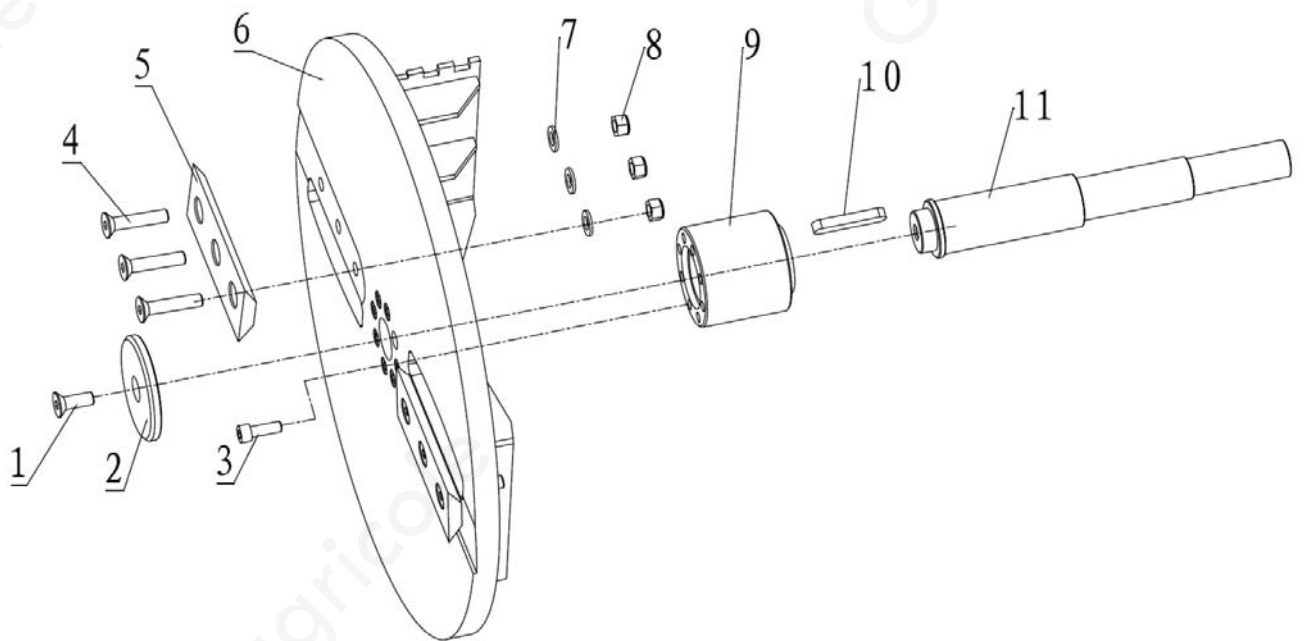
12	GB5783	BOLT M8x40	2
13	CP5.20.102	PULLEY	1
14	REACH 16	LOCKING DEVICE16x32	1
15	CP5.20.101	PULLEY	1
16	CBN-310F	PUMP 310F	1
17	GB11544	V-BELT A584 (23)	1
18	UCFC208	BEARING 208	1
19	GB5783	BOLT M12x50	4
20	CP5.20.106	PLATE	1
21	GB5783	BOLT M6x16	4
22	GB93	LOCK WASHER 6	4
23	GB97.1	PLAIN WASHER 6	4

Sezione

3

ECO25\_part3

PART 3



SerNo	PartNo	Description	Quantity
1	GB2673	SCREW M12x35	1
2	CP5.20.201	PLATE,END	1
3	GB70	SCREW M10x30	8
4	GB2673	SCREW M12x60	6
5	CP5.20.204	KNIFE,ROTOR	2

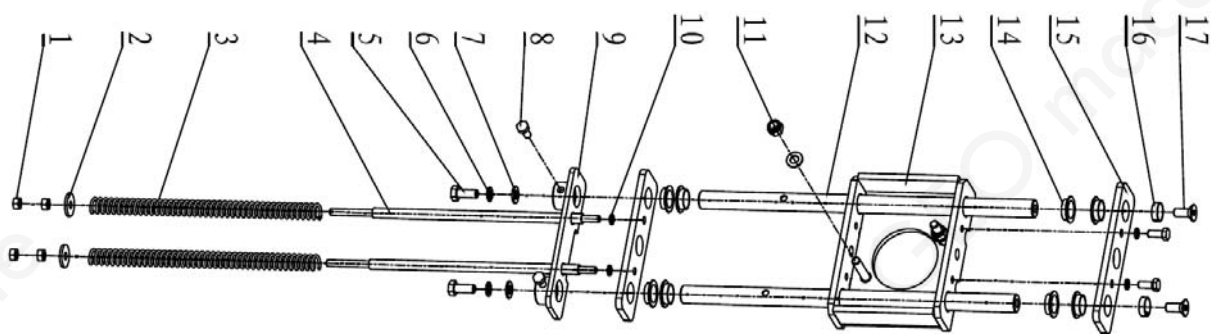
6	CP5.20.021	ROTOR,WELDED	1
7	GB93	PLAIN WASHER 12	6
8	GB889.1	LOCK NUT M12	6
9	CP5.20.202	CONNECTOR	1
10	GB1095	KEY 14x9	1
11	CP5.20.203	SHAFT	1

Sezione

4

ECO25\_part4

## PART 4



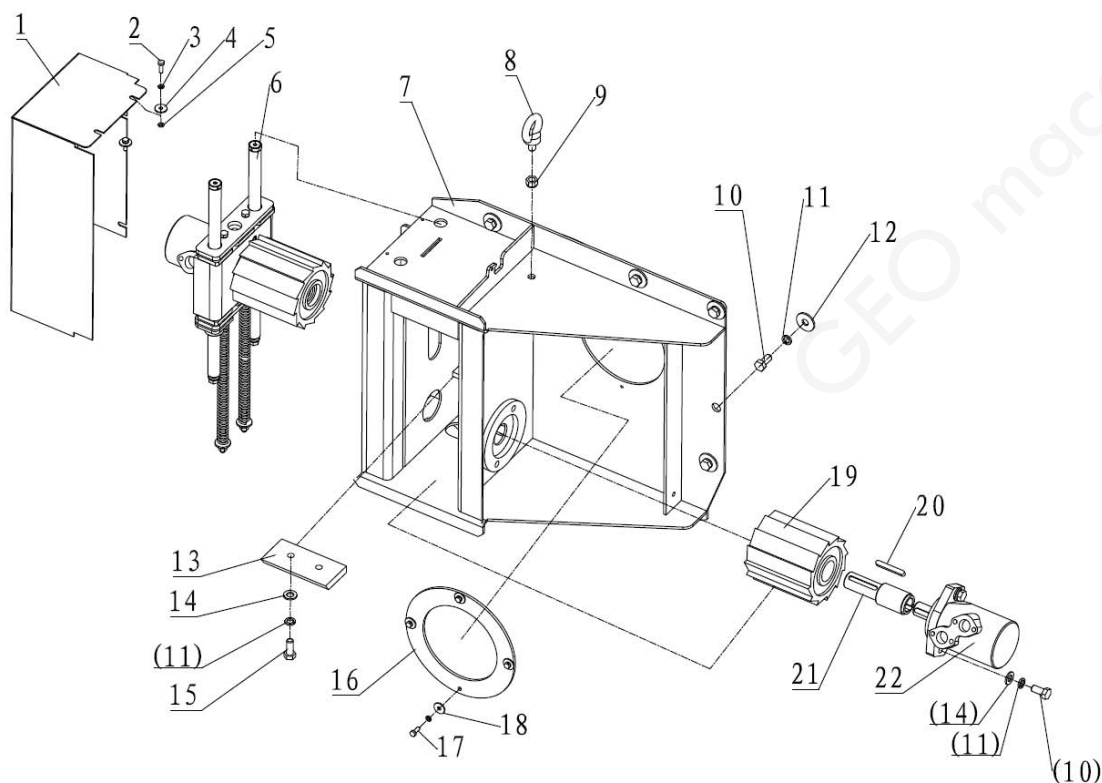
SerNo	PartNo	Description	Quantity
1	GB6170	NUT M8	4
2	GB5287	WASHER 8x28x3	2
3	CP5.30.202	SPRING	2
4	CP5.30.201	ROD	2
5	GB5783	BOLT M10x25	2
6	GB93	LOCK WASHER 10	2
7	GB97.1	PLAIN WASHER 10	2
8	GB5783	BOLT M10x20	4
9	CP5.30.021	LIMITING PLATE,WELDED	1
10	GB93	LOCK WASHER 8	4
11	GB889.1	LOCK NUT M10	2

12	CP5.30.203	GUIDING ROD	2
13	CP5.30.022	FRAME,WELDED	1
14	CP5.30.206	BUSHING	8
15	CP5.30.204	PLATE	2
16	CP5.30.205	WASHER	2
17	GB2673	SCREW M10x25	2

Sezione

5

ECO25\_part5  
PART 5



SerNo	PartNo	Description	Quantity
-------	--------	-------------	----------

1	CP5.30.102	SHIELD	1
2	GB5783	BOLT M6x20	4
3	GB93	LOCK WASHER 6	8
4	GB5287	WASHER 6x22x2	4
5	FM6	NUT M6	2
6	CP5.30.002	FEEDING FRAME,ASMB	1
7	CPG513.30.012	HOUSING,WELDED	1
8	GB825	RING SCREW M12	1
9	GB889.1	LOCK NUT M12	1
10	GB5783	BOLT M12x25	13
11	GB93	LOCK WASHER 12	15

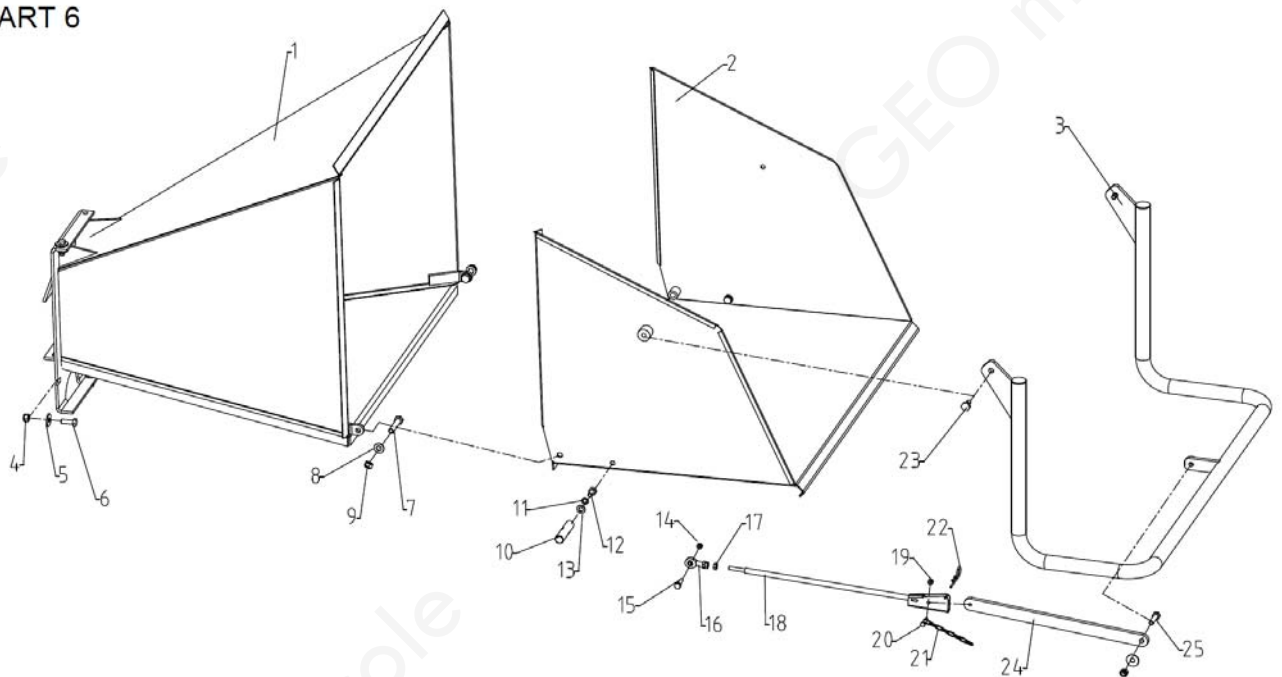
12	GB96	WASHER 12x37x3	11
13	CP5.30.103	KNIFE,STATIONARY	1
14	GB97.1	PLAIN WASHER 12	4
15	GB5786	BOLT M12x1.5x30	2
16	CP5.30.013	CAP,WELDED	1
17	GB5783	BOLT M6x16	4
18	GB97.1	PLAIN WASHER 6	4
19	CP5.30.011	ROLLER,WELDED	2
20	GB1096	KEY 8x7x60	2
21	CP5.30.101	SHAFT	2
22	BMP-250	MOTOR BMP-250	2

Sezione

6

ECO25\_part6

PART 6



SerNo	PartNo	Description	Quantity
1	CPG513.40.011	FEED HOPPER,WLD	1
2	CPG513.40.012	TRAY,WLD	1
3	CPG513.40.013	CONTROL LEVER,WLD	1
4	GB889.1	LOCK NUT M10	5
5	GB96	WASHER 10	6
6	GB5783	BOLT M10x30	4

7	GB5782	BOLT M12x60	2
8	GB97.1	WASHER 12	2
9	GB889.1	LOCK NUT M12	2
10	CPG513.40.103	SUPPORTING ROD	2
11	GB93	LOCK WASHER 10	2
12	GB5783	BOLT M10x20	2
13	GB97.1	PLAIN WASHER 10	2
14	GB889.1	LOCK NUT M8	1
15	GB5783	BOLT M8x30	1
16	GB9161	BEARING 8	1
17	GB6170	NUT	2
18	CPG513.40.015	DRAW BAR,WLD	1
19	GB889.1	LOCK NUT M6	1
20	GB5783	BOLT M6x30	1
21	CPG513.40.014	CHAIN	1
22	RP3.5	PIN 3.5	1
23	CPG513.40.101	PIN	2
24	CPG513.40.102	LINK BAR	1
25	GB5783	BOLT M10x40	1

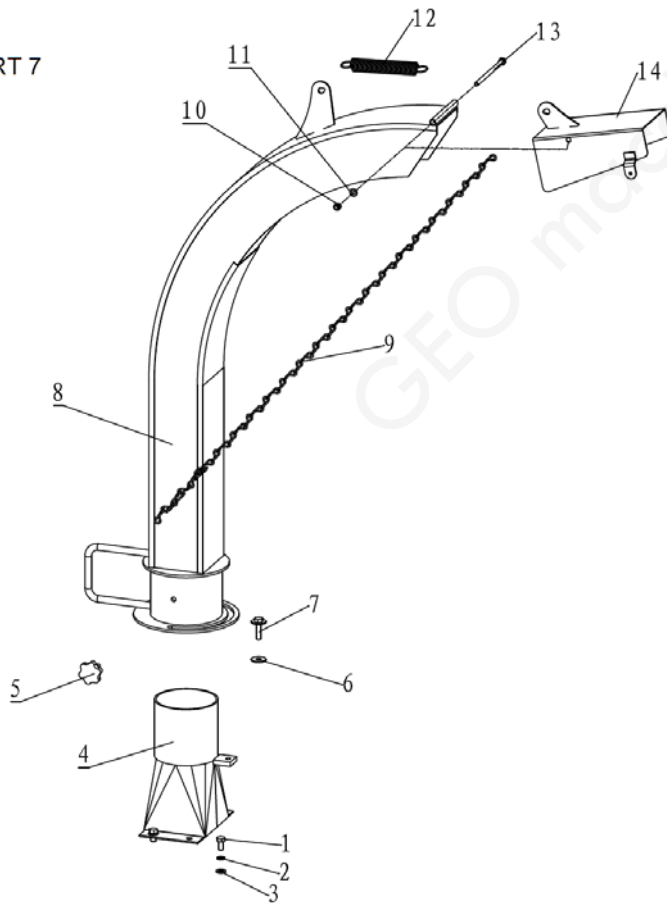
Sezione

7



ECO25\_part7

PART 7

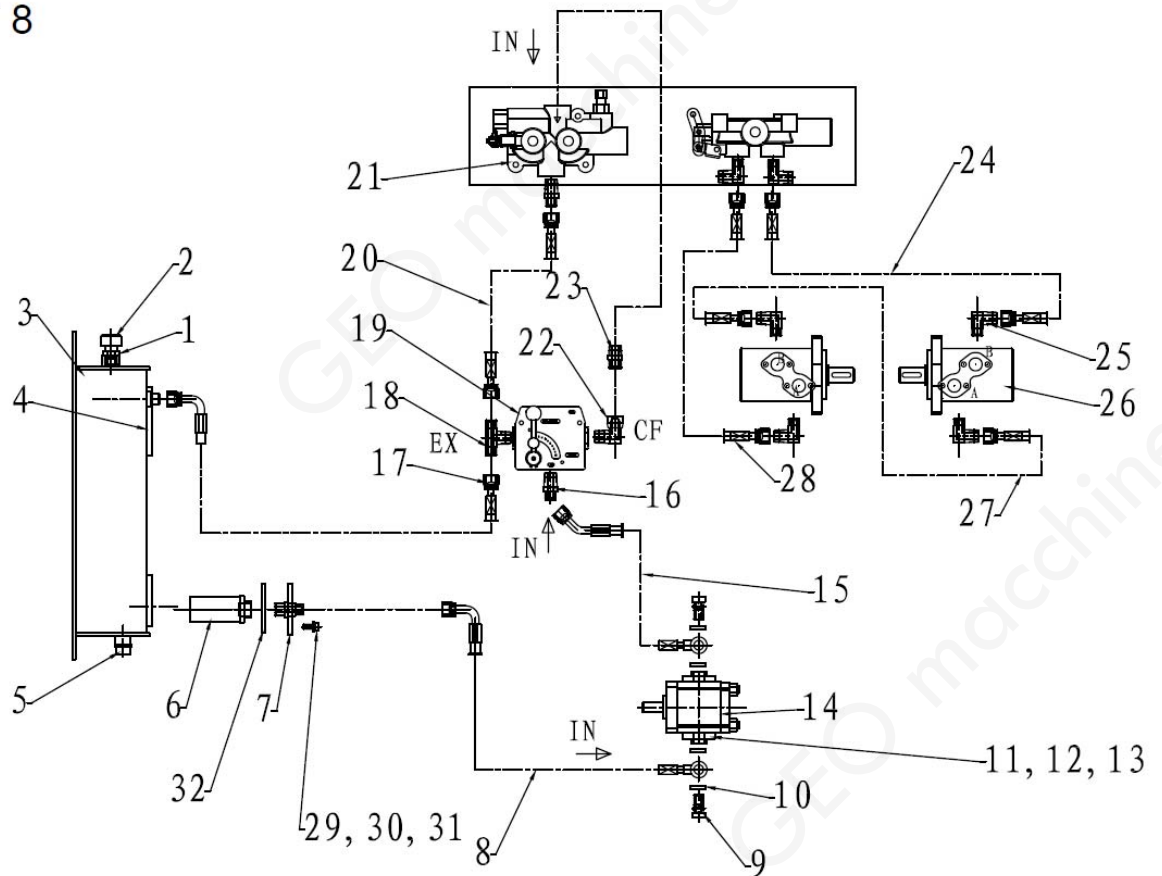


SerNo	PartNo	Description	Quantity
1	GB5783	BOLT M10x20	4
2	GB97.1	PLAIN WASHER 10	4
3	GB93	LOCK WASHER 10	4
4	CP5.50.011	BASE, WELDED	1
5	CP5.50.101	KNOB SCREW	1
6	GB96	WASHER 10	2
7	GB5783	BOLT M10x40	1
8	CP5.50.012	DISCHARGE CHUTE, WELDED	1
9	Z92304	CHAIN	1
10	GB889.1	LOCK NUT M8	1
11	GB97.1	PLAIN WASHER 8	1
12	Z31403	SPRING-1	1
13	GB5782	BOLT M8x150	1
14	CP5.50.013	DEFLECTOR, WELDED	1

Sezione

8

## PART 8



SerNo	PartNo	Description	Quantity
1	CP5.60.101	VENT CONNECTOR	1
2	C-M12	AIR FILTER C-M12	1
3	CP5.60.011	TANK, WELDED	1
4	YWZ-76	OIL LEVEL METER	1
5	JB/ZQ4451	PLUG M18x1.5	1
6	WU-25x100J	FILTER	1
7	CP5.60.012	CONNECTOR, WELDED	1
8	CP5.60.013	HOSE, PUMP INPUT	1
9	CP5.60.102	BOLT 18	2
10	JB/ZQ4454	COMPOUND WASHER 18	4
11	CP5.60.103	CONNECTOR, PUMP	2
12	GB3452.1	O-RING 18x23x2.65	2
13	GB70	SCREW M8x25	8
14	CBN-310F	PUMP CBN-310F	1
15	CP5.60.014	HOSE, PUMP OUTPUT	1
16	CP5.60.104	STRAIGHT FITTING	2
17	CP5.60.015	HOSE, INPUT	1
18	CP5.60.105	UNION TEE	1
19	RD1900	FLOW VALVE	1

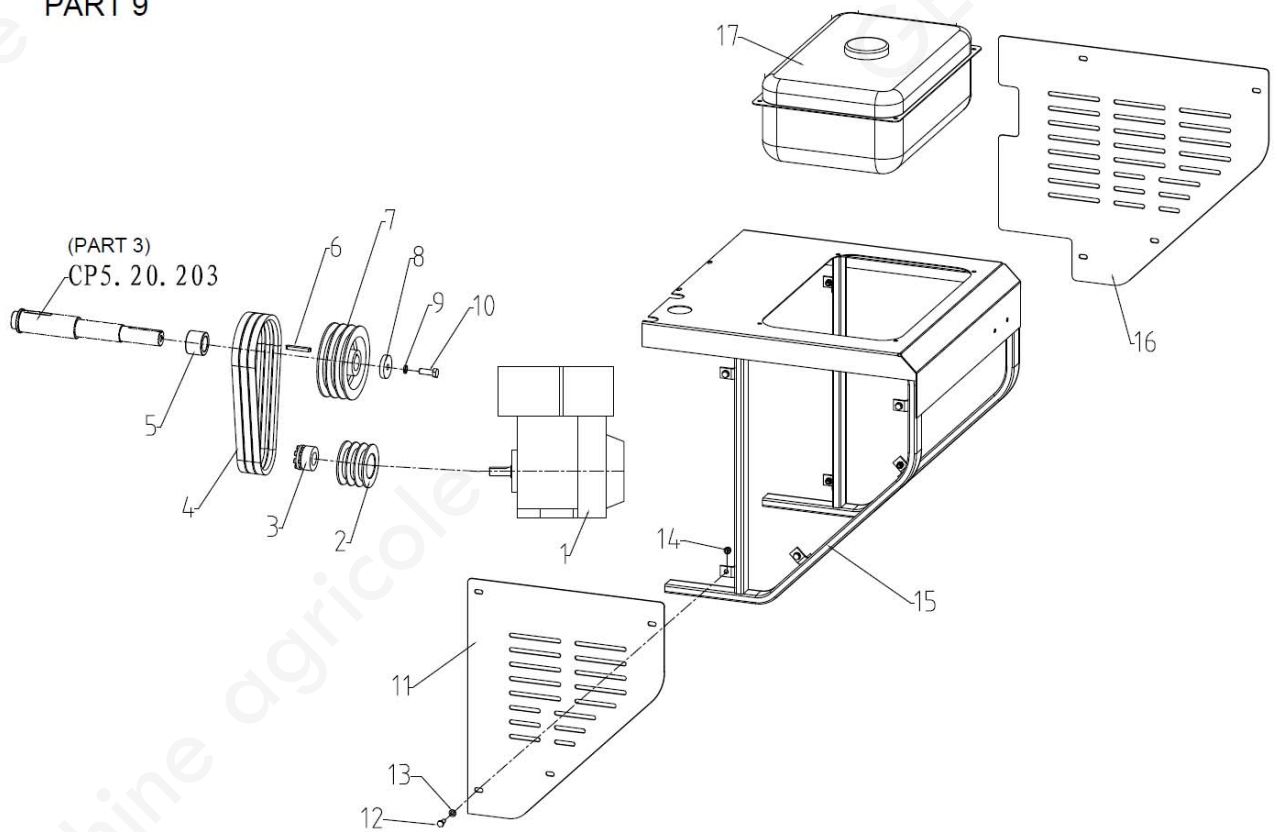
20	CP5.60.016	HOSE,VALVE-VALVE	1
21	X-20	VALVE	1
22	CP5.60.106	ELBOW FITTING	1
23	CP5.60.107	FITTING	1
24	CP5.60.017	HOSE,VALVE-PUMP-1	1
25	CP5.60.108	ELBOW	6
26	BMP-200	MOTOR BMP-200	2
27	CP5.60.018	HOSE,MOTOR-MOTOR	1
28	CP5.60.019	HOSE,VALVE-PUMP-2	1
29	GB5783	BOLT M6x20	6
30	GB93	LOCK WASHER 6	6
31	GB97.1	PLAIN WASHER 6	6
32	CP5.60.109	GASKET	1

Sezione

9

ECO25\_part9

PART 9



SerNo	PartNo	Description	Quantity
-------	--------	-------------	----------

1	GX690	ENGINE GX690	1
2	CPG525.70.101	PULLEY	1
3	REACH-Z04	REACH 28x55	1
4	GB/T1154	V-BELT SPB915	3

5	CPG513.70.103	SPACER	1
6	GB1096	KEY 8x60	1
7	CPG525.70.102	PULLEY	1
8	CPG525.70.103	PLATE	1
9	GB93	LOCK WASHER 12	1
10	GB5783	BOLT M12x35	1
11	CPG525.70.104	PLATE, LEFT	1
12	GB5783	BOLT M8x20	8
13	GB97.1	PLAIN WASHER 8	8
14	GB889.1	LOCK NUT M8	8
15	CPG525.70.011	FRAME, WLD	1
16	CPG525.70.105	PLATE, RIGHT	1
17	TK30	GASOLINE TANK, ASMB	1