

Macchina

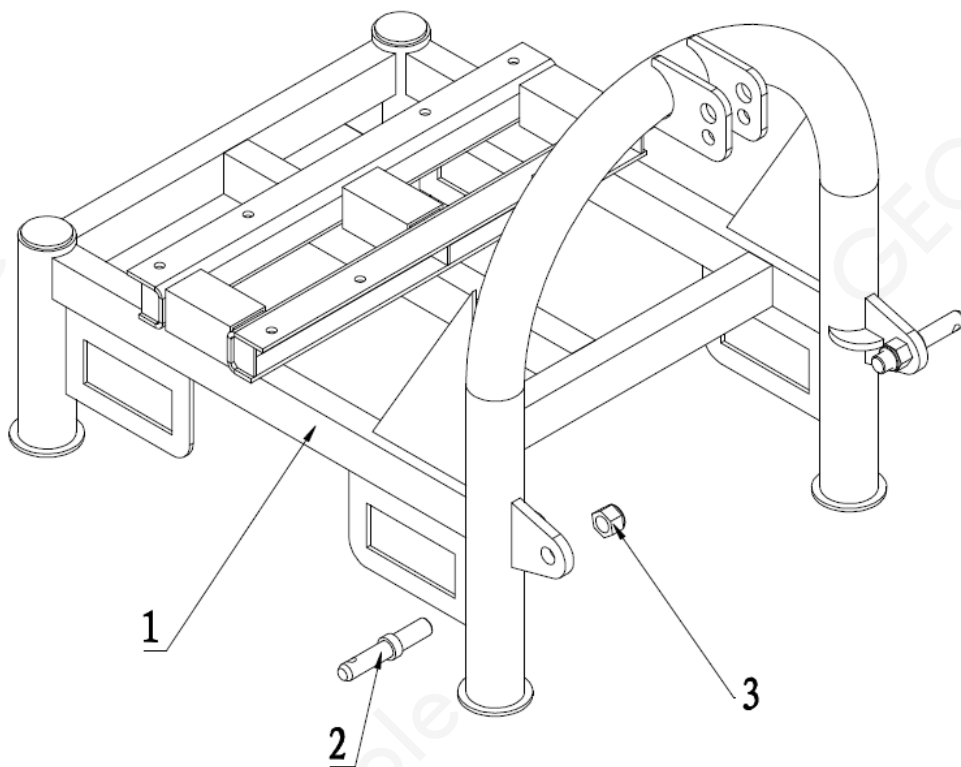
ECO18



Sezione

1

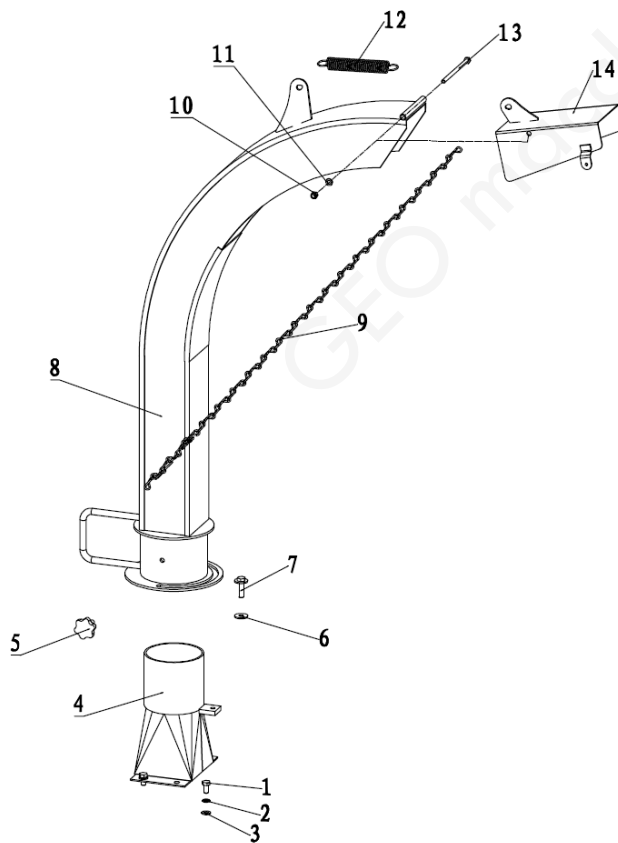
ECO18\_part1



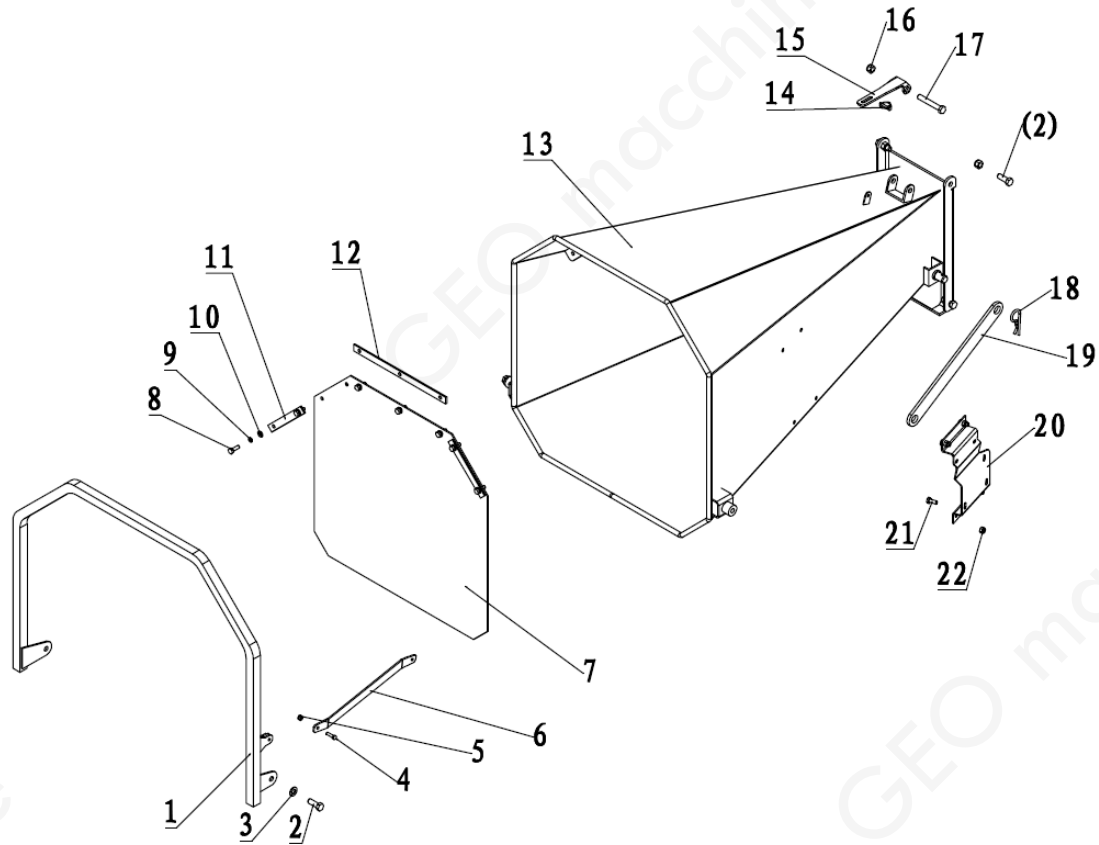
SerNo	PartNo	Description	Quantity
1	CP5.10.011	Base frame, welded	1
2	FM150.114	Lower pin	2
3	GB889.1	Lock nut M22x1.5	2

Sezione

2



SerNo	PartNo	Description	Quantity
1	GB5783	Bolt m10x20	4
2	GB97.1	Plain washer 10	4
3	GB93	Lock washer 10	4
4	CP5.50.011	Base, welded	1
5	CP5.50.101	Knob screw	1
6	GB96	Washer 10	2
7	GB5783	Bolt m10x40	1
8	CP5.50.012	Discharge chute, welded	1
9	Z92304	Chain	1
10	GB889.1	Lock nut m8	1
11	GB97.1	Plain washer 8	1
12	Z31403	Spring-1	1
13	GB5782	Bolt m8x150	1
14	CP5.50.013	Deflector, welded	1



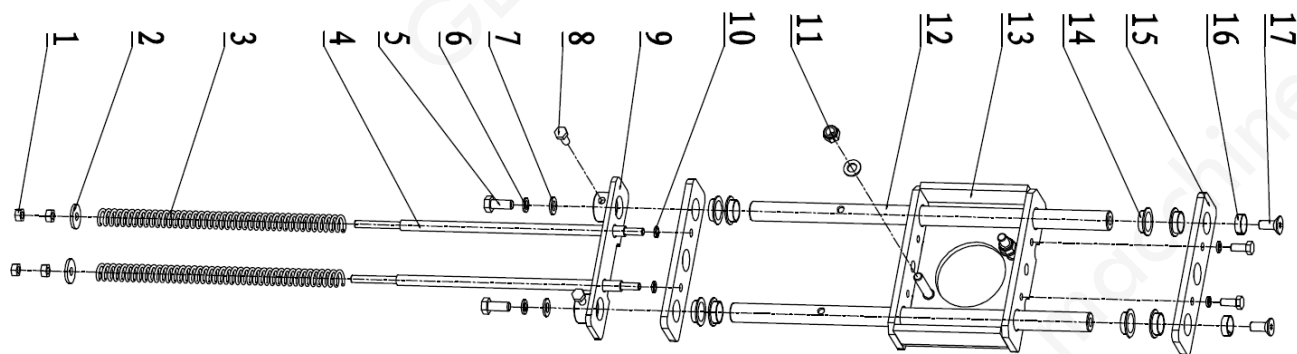
SerNo	PartNo	Description	Quantity
1	CP5.40.012	Feed handle	1
2	GB5783	Bolt m12x35	6
3	GB93	Plain washer 12	2
4	GB5783	Bolt m6x25	1
5	GB889.1	Lock nut m6	1
6	CP5.40.101	Bar	1
7	CP5.40.103	Plate	1
8	GB5783	Bolt m8x25	7
9	GB93	Lock washer 8	7
10	GB97.1	Plain washer 8	7
11	CP5.40.104	Short plate	2
12	CP5.40.105	Long plate	1
13	CP5.40.011	Hopper, welded	1
14	LPIN 5	Lock pin 5	1
15	1011W102-9	Lock plate	1
16	GB889.1	Lock nut m12	5
17	GB5782	Bolt m12x80	1
18	RPIN 5	Lock pin r5	2
19	CP5.40.102	Plate	1

20	CP5.40.106	Seat, valve	1
21	GB5783	Bolt m8x20	4
22	GB889.1	Lock nut m8	4

Sezione

4

ECO18\_part4



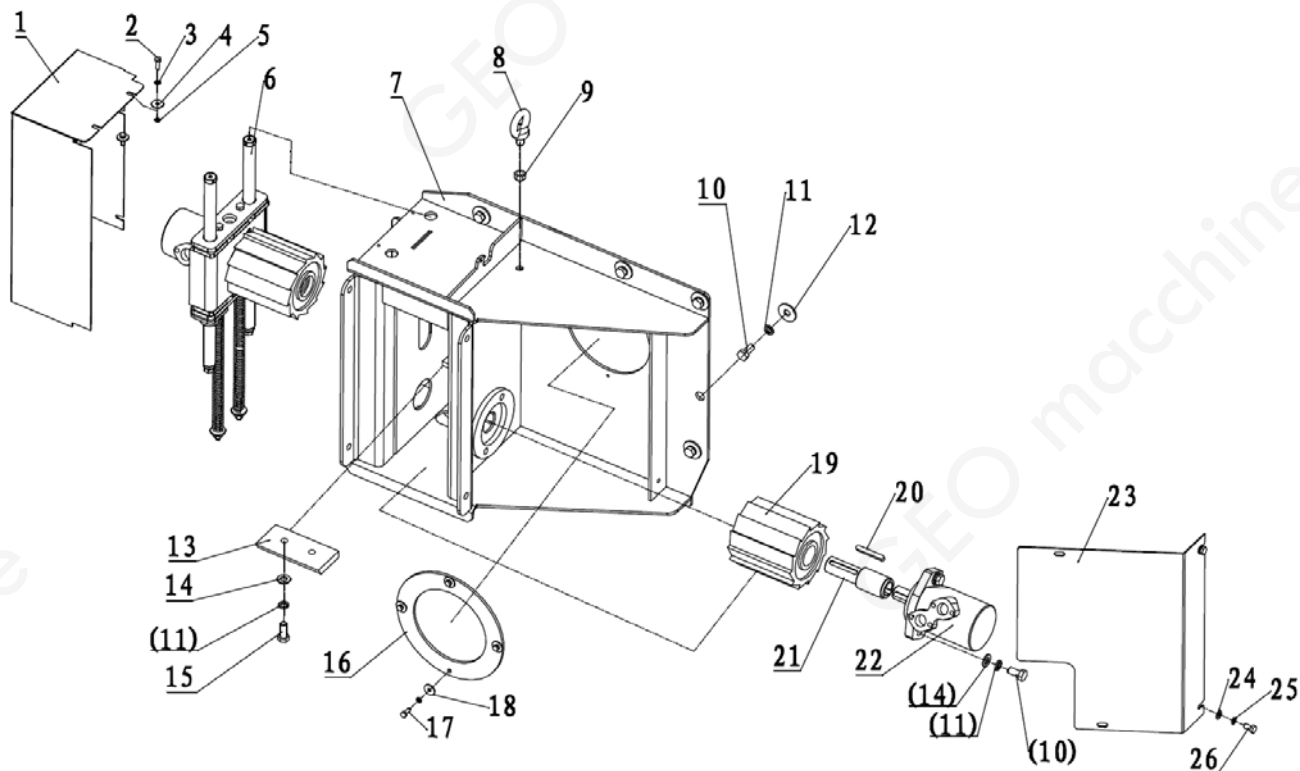
SerNo	PartNo	Description	Quantity
1	GB6170	Nut m8	4
2	GB5287	WASHER 8x28x3	2
3	CP5.30.202	Spring	2
4	CP5.30.201	Rod	2
5	GB5783	Bolt m10x25	2
6	GB93	Lock washer 10	2
7	GB97.1	Plain washer 10	2
8	GB5783	Bolt m10x20	4
9	CP5.30.021	Limiting plate, welded	1
10	GB93	Lock washer 8	4
11	GB889.1	Lock nut m10	2
12	CP5.30.203	Guiding rod	2
13	CP5.30.022	Frame, welded	1
14	CP5.30.206	Bushing	8

15	CP5.30.204	Plate	2
16	CP5.30.205	Washer	2
17	GB2673	Screw m10x25	2

Sezione

5

ECO18\_part5



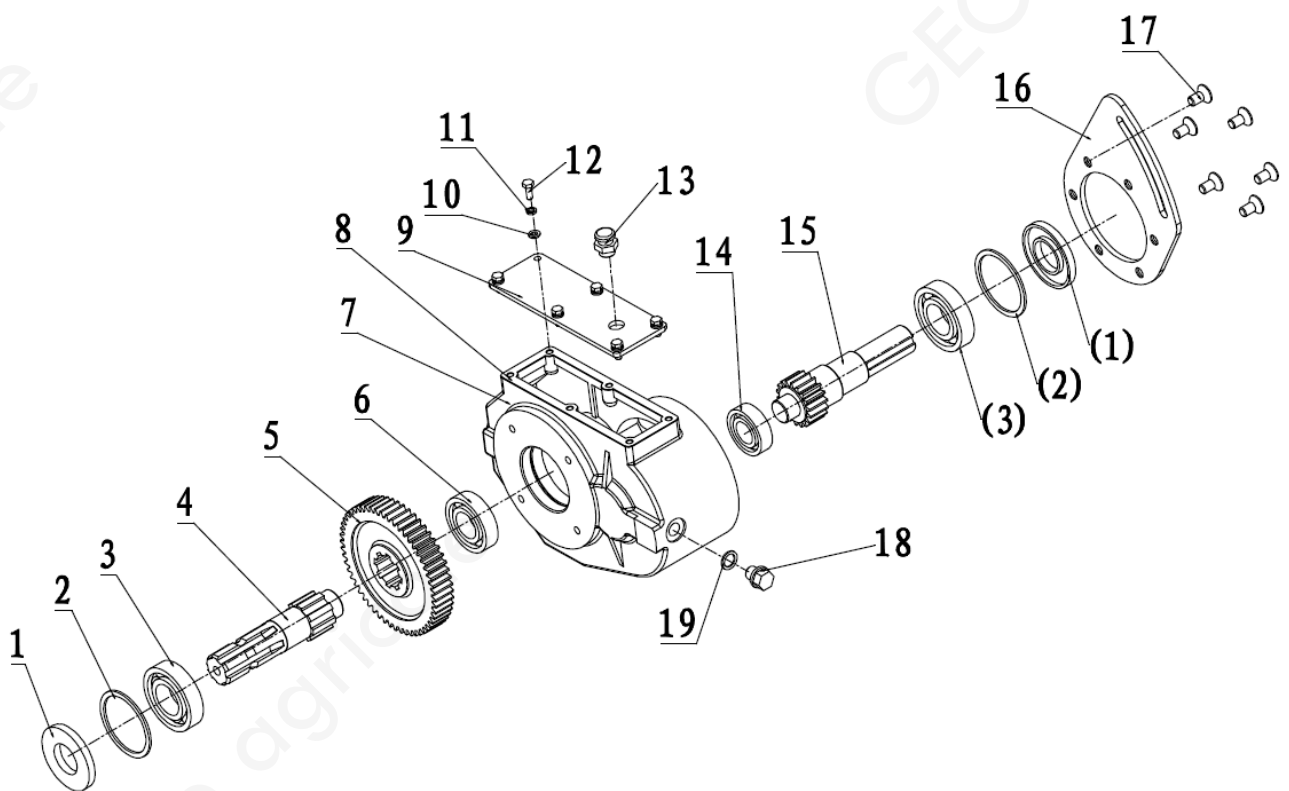
SerNo	PartNo	Description	Quantity
1	CP5.30.102	Shield	1
2	GB5783	Bolt m6x20	4
3	GB93	Lock washer 6	8
4	GB5287	WASHER 6x22x2	4
5	FM6	Nut m6	2
6	CP5.30.002	Feeding frame,assembly	1
7	CP5.30.012	Housing,welded	1
8	GB825	Ring screw m12	1
9	GB889.1	Lock nut m12	1
10	GB5783	Bolt m12x25	13
11	GB93	Lock washer 12	15
12	GB96	WASHER 12x37x3	11
13	CP5.30.103	Knife,stationary	1
14	GB97.1	Plain washer 12	4

15	GB5786	BOLT M12x1.5x30	2
16	CP5.30.013	Cap,welded	1
17	GB5783	Bolt m6x16	4
18	GB97.1	Plain washer 6	4
19	CP5.30.011	Roller,welded	2
20	GB1096	KEY 8x7x60	2
21	CP5.30.101	Shaft	2
22	BMP-250	Motor bmp-250	2
23	CP5.30.104	Shield,side	1
24	GB97.1	Plain washer 8	4
25	GB93	Lock washer 8	4
26	GB5783	Bolt m8x16	4

Sezione

6

ECO18\_part6



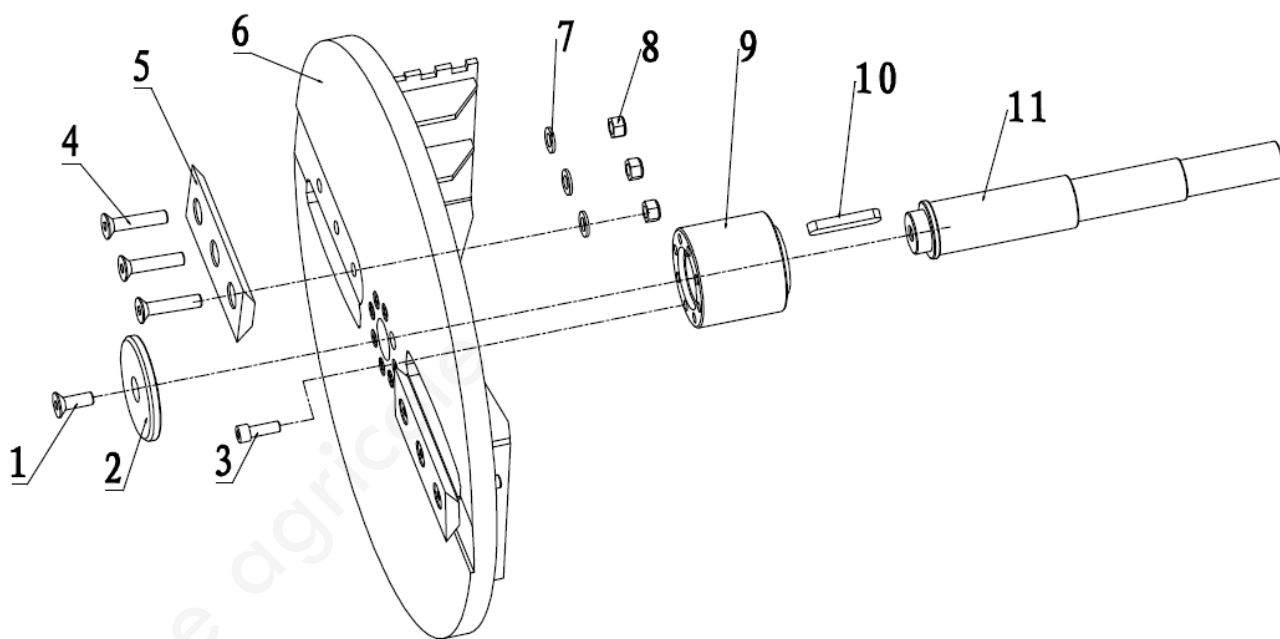
SerNo	PartNo	Description	Quantity
1	HG4-338	Seal 35x72x8	2
2	GB893.2	Retaining ring 72	2
3	GB276	Bearing 207	2
4	CP5.20.302	Shaft	1
5	CP5.20.303	Gear	1

6	GB276	Bearing 206	1
7	CP5.20.301	Housing	1
8	CP5.20.307	Seal	1
9	CP5.20.306	Plate	1
10	GB93	Plain washer 6	6
11	GB97.1	Lock washer 6	6
12	GB5783	Bolt m6x16	6
13	CP5.20.308	Vent	1
14	GB276	Bearing 205	1
15	CP5.20.304	Shaft	1
16	CP5.20.305	Plate	1
17	GB2673	Screw m10x20	6
18	JB/ZQ4451	Plut screw m14x1.5	2
19	JB/ZQ4454	Washer 14	2

Sezione

7

ECO18\_part7



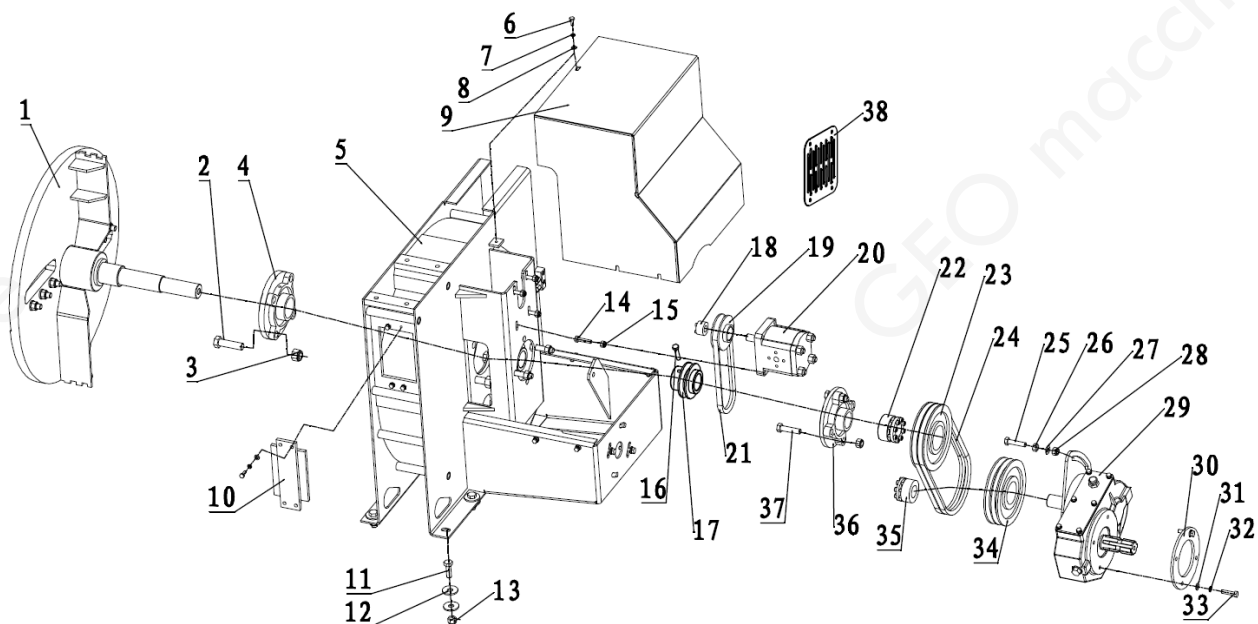
SerNo	PartNo	Description	Quantity
1	GB2673	Screw m12x35	1
2	CP5.20.201	Plate, end	1
3	GB70	Screw m10x30	8

4	GB2673	Screw m12x60	6
5	CP5.20.204	Knife, rotor	2
6	CP5.20.021	Rotor, welded	1
7	GB93	Plain washer 12	6
8	GB889.1	Lock nut m12	6
9	CP5.20.202	Connector	1
10	GB1095	Key 14x9	1
11	CP5.20.203	Shaft	1

Sezione

8

ECO18\_part8



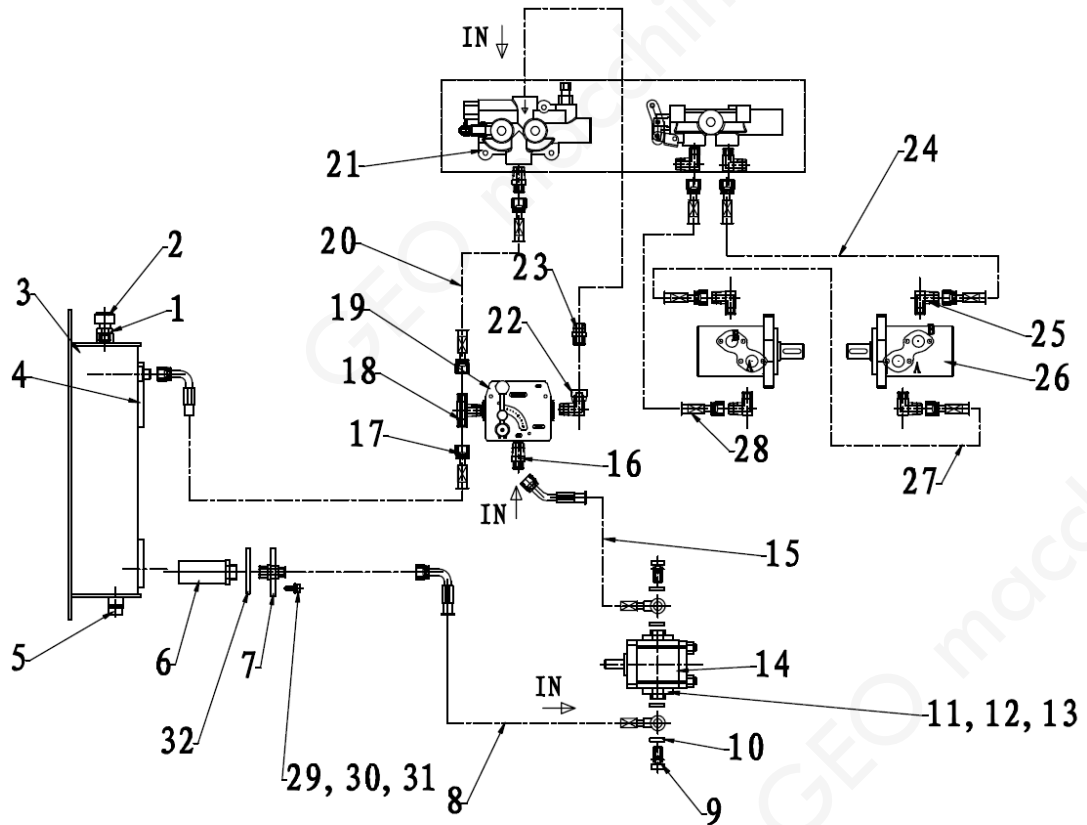
SerNo	PartNo	Description	Quantity
1	CP5.20.002	Rotor, welded	1
2	GB5783	Bolt m16x60	4
3	GB889.1	Lock nut m16	4
4	UCFC210	Bearing 210	1
5	CP5.20.011	Housing, welded	1
6	GB5783	Bolt m6x16	9
7	GB93	Lock washer 6	13
8	GB97.1	Plain washer 6	13
9	CP5.20.013	Shield	1



10	CP5.20.012	Cover, welded	1
11	GB5783	Bolt m12x35	8
12	GB96	Plain washer 12	16
13	GB889.1	Lock nut m12	12
14	GB5783	Bolt m8x35	4
15	GB889.1	Lock nut m8	4
16	GB5783	Bolt m8x40	2
17	CP5.20.102	Pulley	1
18	REACH 16	Locking device16x32	1
19	CP5.20.101	Pulley	1
20	CBN-310F	Pump 310f	1
21	GB11544	V-belt a584 (23)	1
22	REACH 05	Locking device 35x60	1
23	CP5.20.104	Pulley, input	1
24	GB11544	Belt xpa900	2
25	GB5783	Bolt m10x45	1
26	GB6170	Nut m10	1
27	GB97.1	Plain washer 10	1
28	GB889.1	Lock nut m10	1
29	CP5.20.003	Gear, assembly	1
30	CP5.20.103	Plate	1
31	GB97.1	Plain washer 8	4
32	GB93	Lock washer 8	4
33	GB5783	Bolt m8x30	4
34	CP5.20.105	Pulley, output	1
35	REACH 05	Locking device 30x55	1
36	UCFC208	Bearing 208	1
37	GB5783	Bolt m12x50	4
38	CP5.20.106	Plate	1

Sezione

9



SerNo	PartNo	Description	Quantity
1	CP5.60.101	Vent	1
2	C-M12	Air filter c-m12	1
3	CP5.60.011	Tank, welded	1
4	YWZ-76	Oil level meter	1
5	JB/ZQ4451	Plug m18x1.5	1
6	WU-25x100J	Filter	1
7	CP5.60.012	Connector, welded	1
8	CP5.60.013	Hose, pump input	1
9	CP5.60.102	Bolt 18	2
10	JB/ZQ4454	Compound washer 18	4
11	CP5.60.103	Connector, pump	2
12	GB3452.1	O-RING 18x23x2.65	2
13	GB70	Screw m8x25	8
14	CBN-310F	Pump cbn-310f	1
15	CP5.60.014	Hose, pump output	1
16	CP5.60.104	Straight fitting	2
17	CP5.60.015	Hose, input	1
18	CP5.60.105	Union tee	1
19	RD1900	Flow valve	1

20	CP5.60.016	Hose, valve-valve	1
21	X-20	Valve	1
22	CP5.60.106	Elbow fitting	1
23	CP5.60.107	Fitting	1
24	CP5.60.017	Hose, valve-pump-1	1
25	CP5.60.108	Elbow	6
26	BMP-250	Motor bmp-250	2
27	CP5.60.018	Hose, motor-motor	1
28	CP5.60.019	Hose, valve-pump-2	1
29	GB5783	Bolt m6x20	6
30	GB93	Lock washer 6	6
31	GB97.1	Plain washer 6	6
32	CP5.60.109	Gasket	1