

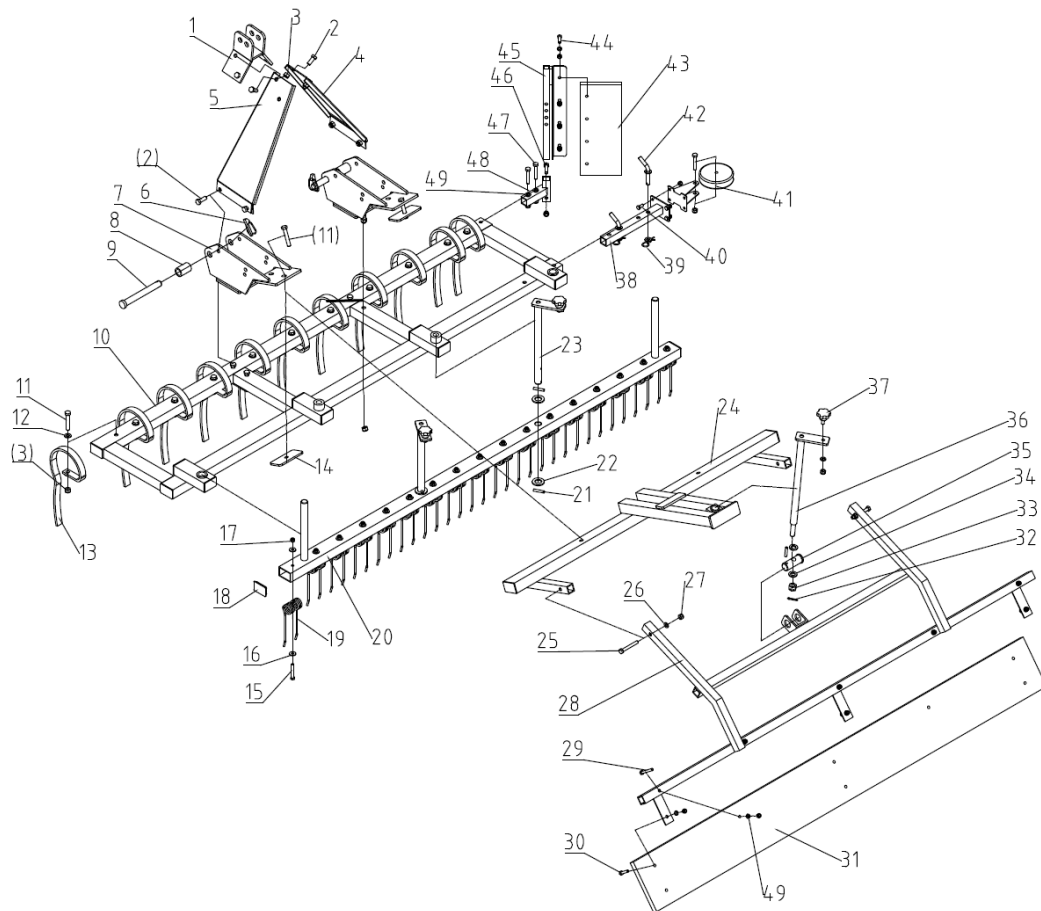
Macchina

HM



Sezione

HM200



SerNo	PartNo	Description	Quantity
-------	--------	-------------	----------

1	EFGC125.022	UPPER LINK SEAT,WA	1
2	GB5783	BOLT M12x35	8
3	GB889.1	LOCK NUT M12	21
4	EFGC125.023	LEFT SUPPORTER,WA	1
5	EFGC125.021	RIGHT SUPPORTER,WA	1
6	LPIN10	LOCK PIN 10	2
7	HM200.012	BRACKET,WA	2
8	EFGC125.108	SPACER	2
9	EFGC125.109	LOWER HITCH PIN	2

10	HM200.011	MAIN FRAME,WA	1
11	GB5782	BOLT M12x70	13
12	GB97.1	PLAIN WASHER 12	26
13	HM200.101	CURVE TINE	11
14	HM200.107	PLATE	2
15	GB5782	BOLT M8x60	17
16	GB96	WASHER 8	34
17	GB889.1	LOCK NUT M8	33
18	HM200.108	END CAP	14
19	HM200.102	SPRING TINE	17
20	HM200.016	TINE SEAT,WA	1
21	GB879	ROLL PIN 8x40	5
22	GB97.1	PLAIN WASHER 24	4
23	HM200.019	LIFT BAR,WA	2
24	HM200.020	LINKING FRAME,WA	1
25	GB5782	BOLT M10x80	2
26	GB97.1	PLAIN WASHER 10	9
27	GB889.1	LOCK NUT M10	8
28	HM200.017	REAR SCRAPER BRACKET, WA	1
29	GB5782	BOLT M8x65	5
30	GB5783	BOLT M8x35	3
31	HM200.105	REAR SCRAPER	1
32	GB91	COTTER 4x28	1
33	GB6181	SLOTTED NUT M16	1
34	GB97.1	PLAIN WASHER 16	2
35	HM200.106	PIN	1
36	HM200.018	ADJUSTING ROD,WA	1
37	CP5.50.101	KNOB	3
38	HM200.015	WHEEL BRACKET,WA	1
39	RPIN 3.2	R PIN 3.2	2
40	GB5783	BOLT M8x20	4
41	W125	WHEEL 125	1
42	HM200.104	PIN	2
43	HM200.103	SIDE SCRAPER	1
44	GB5783	BOLT M8x35	4
45	HM200.014	SIDE SCRAPER BRACKET,WA	1
46	GB5783	BOLT M10x45	1
47	GB5782	BOLT M10x60	2
48	HM200.013	ADJUSTING BRACKET,WA	1

