

Macchina

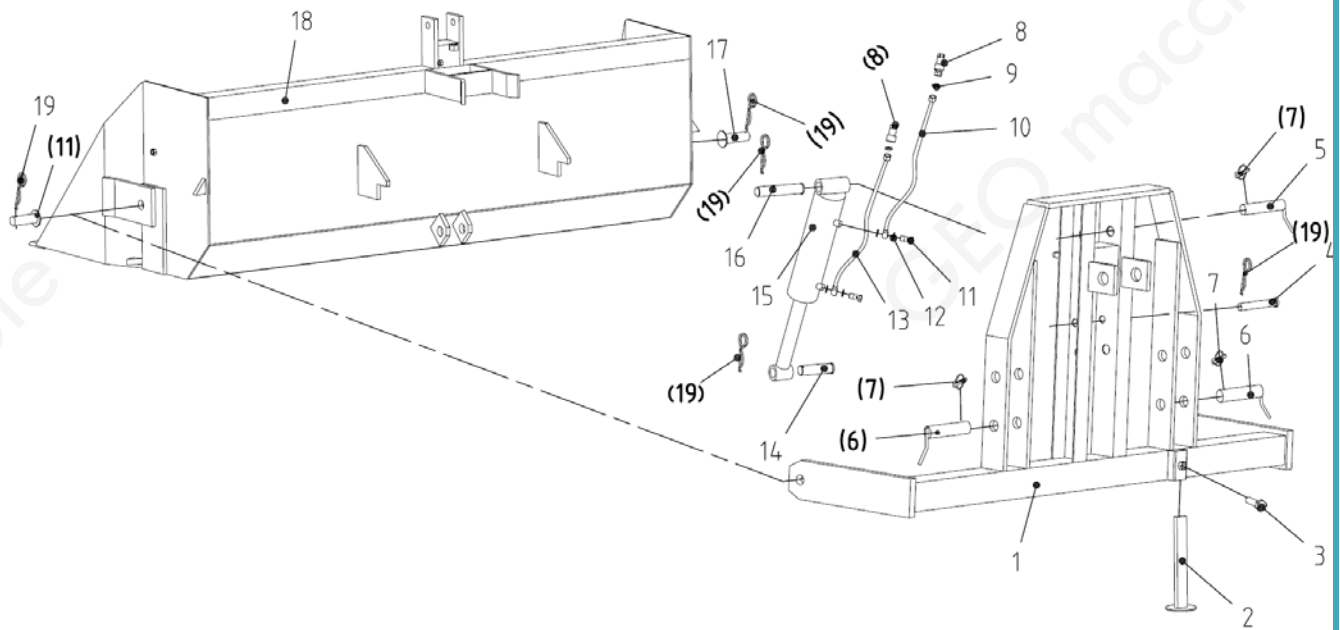
PRI-PRM



Sezione

1

PRI_120-140



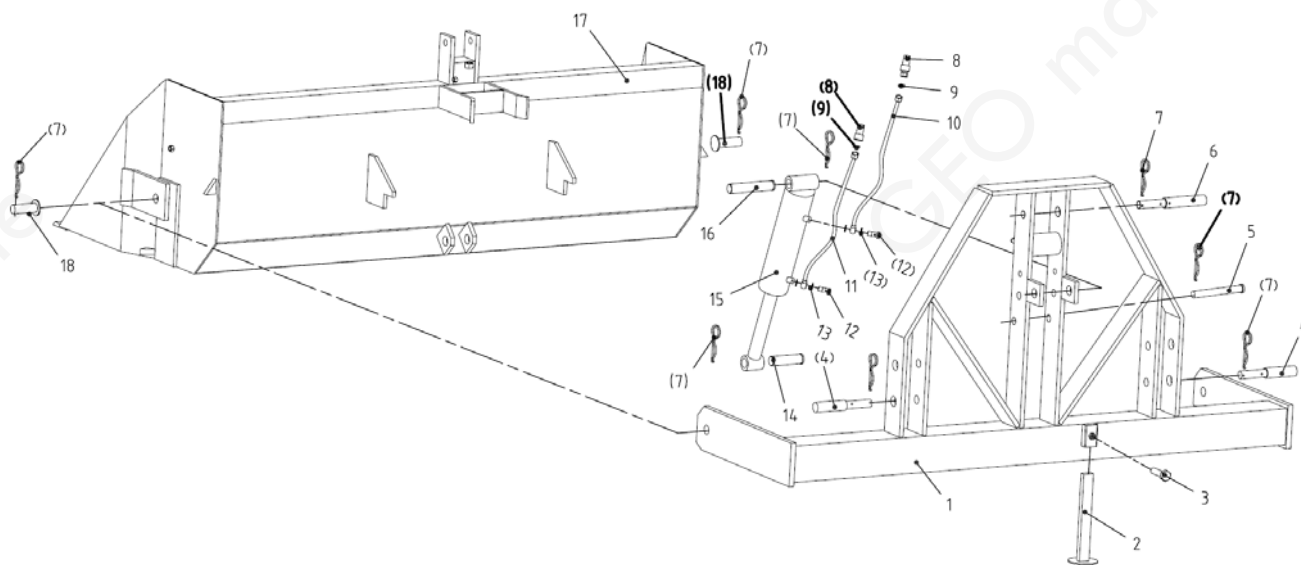
SerNo	PartNo	Description	Quantity
1	PRM120-011	Linkage Frame	1
2	PRM120-013	Support	1
3	HB14A30	Bolt M14*30	1
4	PRM120-102	Safety Pin	1
5	PRM120-015	Upper Pin	1
6	PRM120-016	Lower Pin	2
7	SP11	Safety Pin	3
8	QCM	Quick couple	2
9	BW1/2	Quick couple	2

10	PRl160-104	Safty Pin 11	1
11	HB14A1.5	Hollow Bolt M14*1.5	2
12	BW14	Bonded Washer 14	4
13	PRl160-104	Oil Tube S	1
14	PRl160-102	Cylinder Lower Pin	1
15	PRM120-105	Cylinder	1
16	PRl160-101	Cylinder Upper Pin	1
17	PRM120-101	Bucket Pin	2
18	PRM120-012	Bucket	1
19	RP4	R Pin 4	5

Sezione

2

PRI_160-200



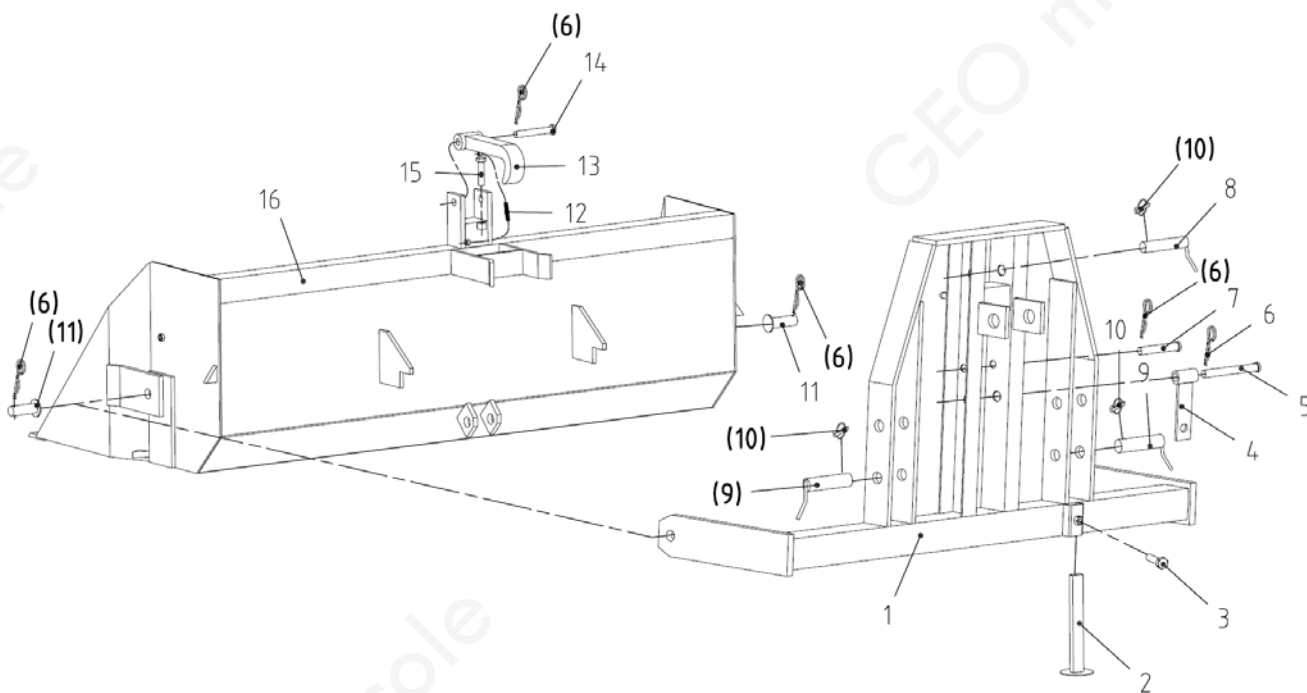
SerNo	PartNo	Description	Quantity
1	PRM160-011	Linkage Frame	1
2	PRM160-013	Support	1
3	HB14A30	Bolt M14*30	1
4	PRM160-102	Lower Pin	2
5	PRM160-106	Safty Pin	1
6	PRM160-103	Upper Pin	1
7	RP4	R Pin 4	7

8	QCM	Quick Couple (male)	2
9	BW1/2	Bonded washer 1/2	2
10	PRl160-104	Pipe(short)	1
11	PRl160-104	Pipe(long)	2
12	HHB14A1.5	Hollow BoltM14*1.5	2
13	BW14	Bonded washer 14	4
14	PRl160-102	Cylinder Lower Pin	1
15	PRl160-103	Cylinder	1
16	PRl160-101	Cylinder Upper Pin	1
17	PRM160-012	Bucket	1
18	PRM160-104	Bucket Pin	2

Sezione

3

PRM_120-140



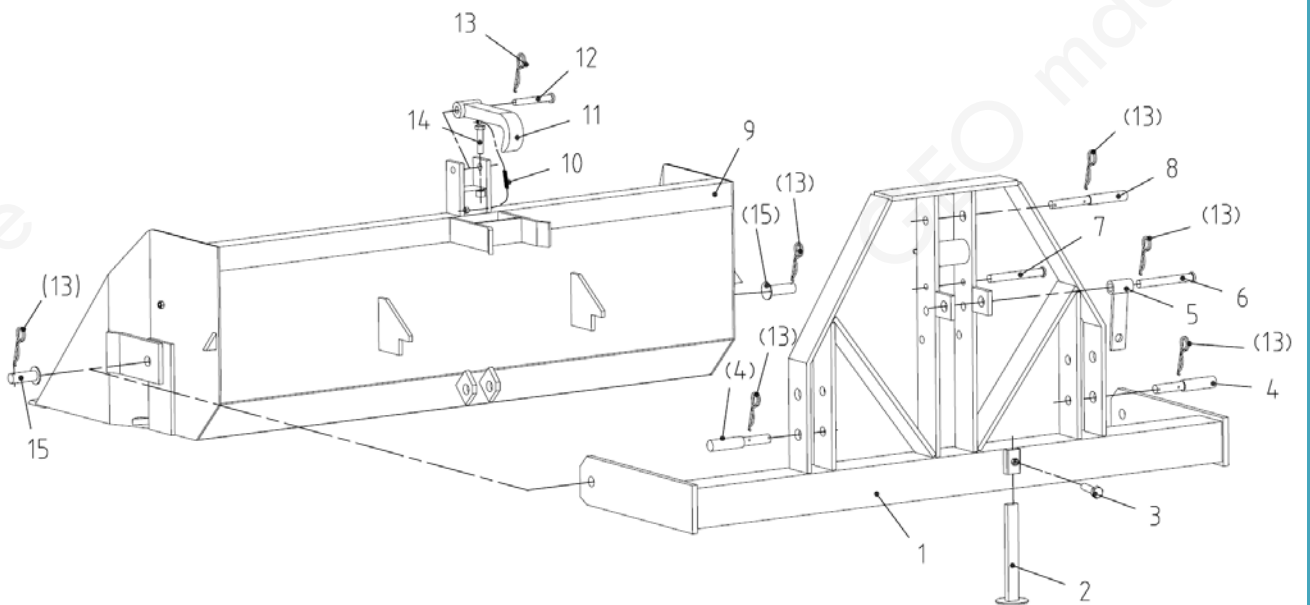
SerNo	PartNo	Description	Quantity
1	PRM120-011	Linkage Frame	1
2	PRM120-013	Support	1
3	HB14A30	Bolt M14*30	1
4	PRM120-017	Unload Plate	1
5	PRM120-104	Unload Pin	1
6	RP4	R Pin 4	3

7	PRM120-102	Safty Pin	1
8	PRM120-015	Upper Pin	1
9	PRM120-016	Lower Pin	2
10	SP11	Safty Pin 11	3
11	PRM120-101	Bucket Pin	2
12	PRM160-101	Spring	1
13	PRM120-014	Fo k	1
14	PRM120-103	Fork Pin	1
15	HB14A60	Bolt M14*60	1
16	PRM120-012	Bucket	1

Sezione

4

PRM_160-200



SerNo	PartNo	Description	Quantity
1	PRM160-011	Linkage Frame	1
2	PRM160-013	Support	1
3	HB14A30	Bolt M14*30	1
4	PRM160-102	Lower Pin	2
5	PRM160-015	Unload Plate	1
6	PRM160-107	Unload Pin	1
7	PRM160-106	Safty Pin	1

8	PRM160-103	Upper Pin	1
9	PRM160-012	Bucket	1
10	PRM160-101	Spring	1
11	PRM160-014	Fork	1
12	PRM160-105	Fork Pin	1
13	RP4	R Pin 4	7
14	HB16A60	Bolt M14*60	1
15	PRM160-104	Bucket Pin	2