

Macchina

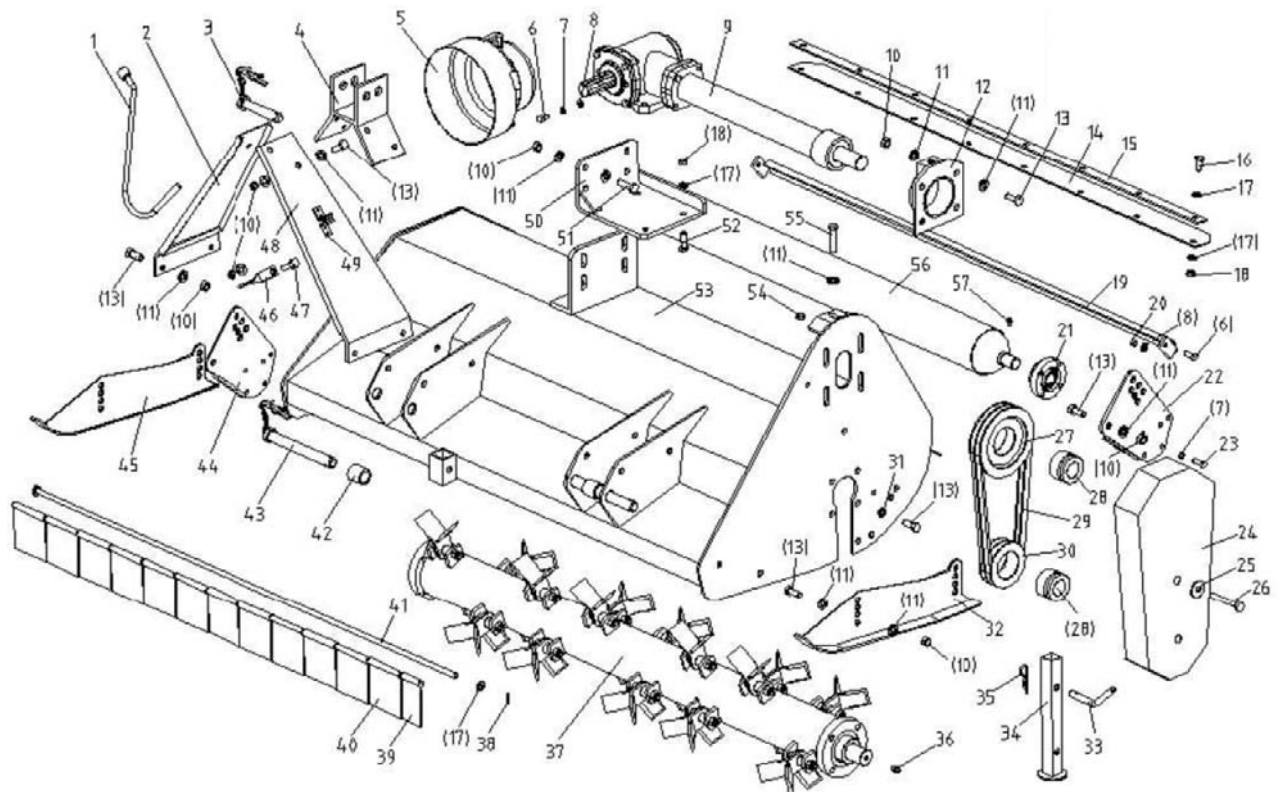
EFG



Sezione

1

EFG_MainAssembly

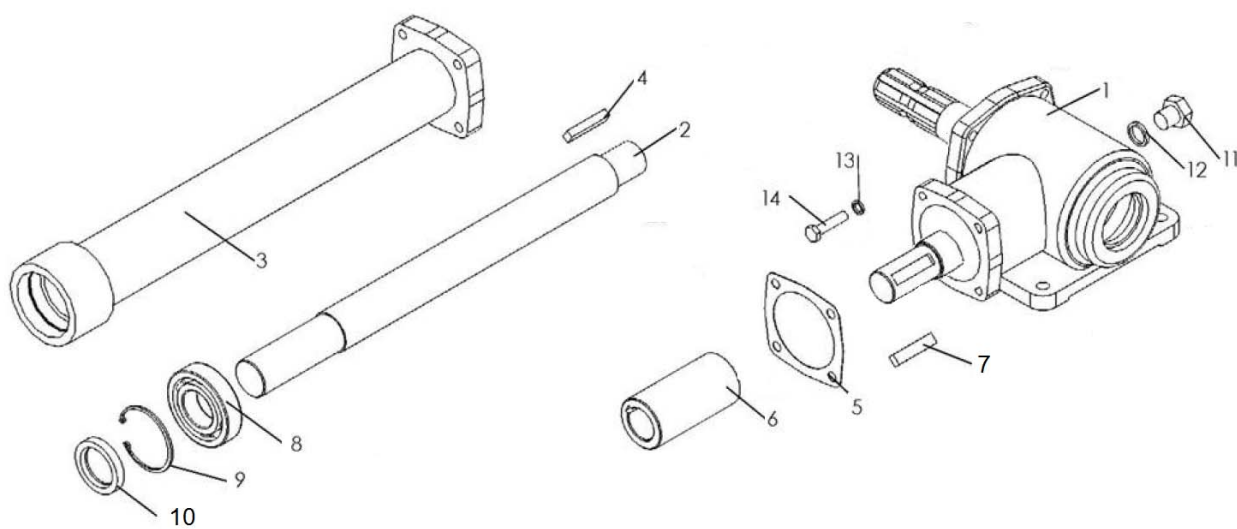


SerNo	PartNo	Description	Quantity
1	EF100.00.017	Hook	1
2	EF100.00.020	Suspension plate (R)	1
3	EF100.00.019	Pin shaft weldment	1
4	EF100.00.018	Bracket weldment	1
5	EF100.00.112	Guard shade	1
6	GB5783-86	Bolt M8x20	4
7	GB93-87	Spring washer 8	10
8	GB97.1-85	Plain washer 8	4
9,1	RK120.019.1	Gear box assembly 105-125	1

9,2	RK120.019.2	Gear box assembly 145-155	1
9,3	RK120.019.3	Gear box assembly 165-175	1
10	GB6184-86	Locking nut M12	34
11	GB97.1-85	Plain washer 12	41
12	EFG120.015	Tension seat weldment	1
13	GB5783-86	Bolt M12x30	27
14,1	EFG120.103.105	Rubber blanket 105	1
14,2	EFG120.103.125	Rubber blanket 125	1
14,3	EFG120.103.145	Rubber blanket 145	1
14,4	EFG120.103.155	Rubber blanket 155	1
14,6	EFG120.104.165	Rubber blanket 175	1
14,7	EFG120.104.175	Rubber blanket 185	1
15,1	EFG120.104.105	Press plate 105	1
15,2	EFG120.104.125	Press plate 125	1
15,3	EFG120.104.145	Press plate 145	1
15,4	EFG120.104.155	Press plate 155	1
15,5	EFG120.104.165	Press plate 165	1
15,6	EFG120.104.175	Press plate 175	1
16	GB5783-86	Bolt M10x25	8
17	GB97.1-85	Plain washer 10	36
18	GB6184-86	Locking nut M10	12
19	EF105.00.024	Mud shield	1
20	GB6184-86	Locking nut M8	2
21	EF100.00.012	Bearing with flange UC205	2
22	EFG120.102	Supporting for roller (L)	1
23	GB5783-86	Bolt M8x25	8
24,1	EF100.00.021.1	Belt cover 105-125	1
24,2	EF100.00.021.2	Belt cover 145-175	1
25	GB96-85	Plain washer 12	1
26	GB5782-86	Bolt M12x80	1
27,1	RK120.113.1	Big belt ptlley 105-125	1
27,2	RK120.113.2	Big belt ptlley 145-175	1
28	JB/T7934Z3	Swellable sleeve	2
29	GB-T1154-97	BELT BX 965	2
30,1	RK120.110.1	Small belt ptlley 105-125	1
30,2	RK120.110.2	Small belt ptlley 145-175	1
31	GB93-87	Spring washer 12	8
32	MFP120.00.025	Base plate (L)	1
33	EF100.00.111	Bent pin	1

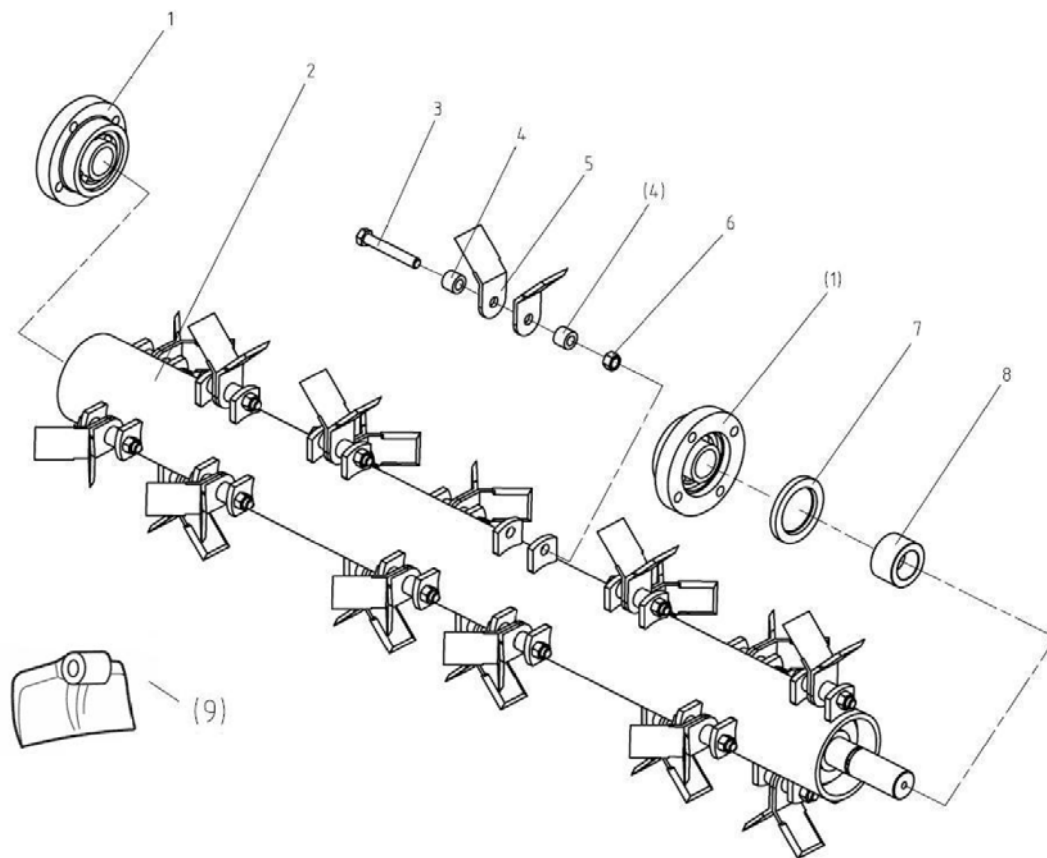
34	EF100.00.027	Supporting frame	1
35		R pin	1
36	GB1152-89	Oil cup M8X1	2
37,1		Blade axle subassembly 105	1
37,2		Blade axle subassembly 125	
37,3		Blade axle subassembly 145	
37,4		Blade axle subassembly 155	
37,5		Blade axle subassembly 165	
37,6		Blade axle subassembly 175	
38	GB879-86	Elastic cylindrical pin 4x22	2
39	EF100.00.121	Fender	1
40	EF100.00.122	Fender	13
41	EF105.00.123	Shaft for fender	1
42	EF100.00.106	Spacer	2
43	EF100.00.014	Pin shaft weldment	2
44	EFG120.101	Supporting for roller (R)	1
45	MFP120.00.026	Base plate (R)	1
46	EF100.00.108	Fixing plate	1
47	GB5783-86	Bolt M12x35	1
48	EF100.00.016	Suspension plate (L)	2
49	EF100.00.105	Clamp for hook	2
50	EFG120.016	Gear box seat	1
51	GB5783-86	Bolt M12x40	4
52	GB5783-86	Bolt M10x35	4
53	EFG120.011.105	The cover weldment	1
54	GB6172-86	Nut M12	1
55	GB5783-86	Bolt M12x55	1
56,1	EFG120.012.105	Roller weldment 105	1
56,2	EFG120.012.125	Roller weldment 125	
56,3	EFG120.012.145	Roller weldment 145	
56,4	EFG120.012.155	Roller weldment 155	
56,5	EFG120.012.165	Roller weldment 165	
56,6	EFG120.012.175	Roller weldment 175	
57	GB1152-89	Oil cup M6	2

EFG_GearboxAssembly



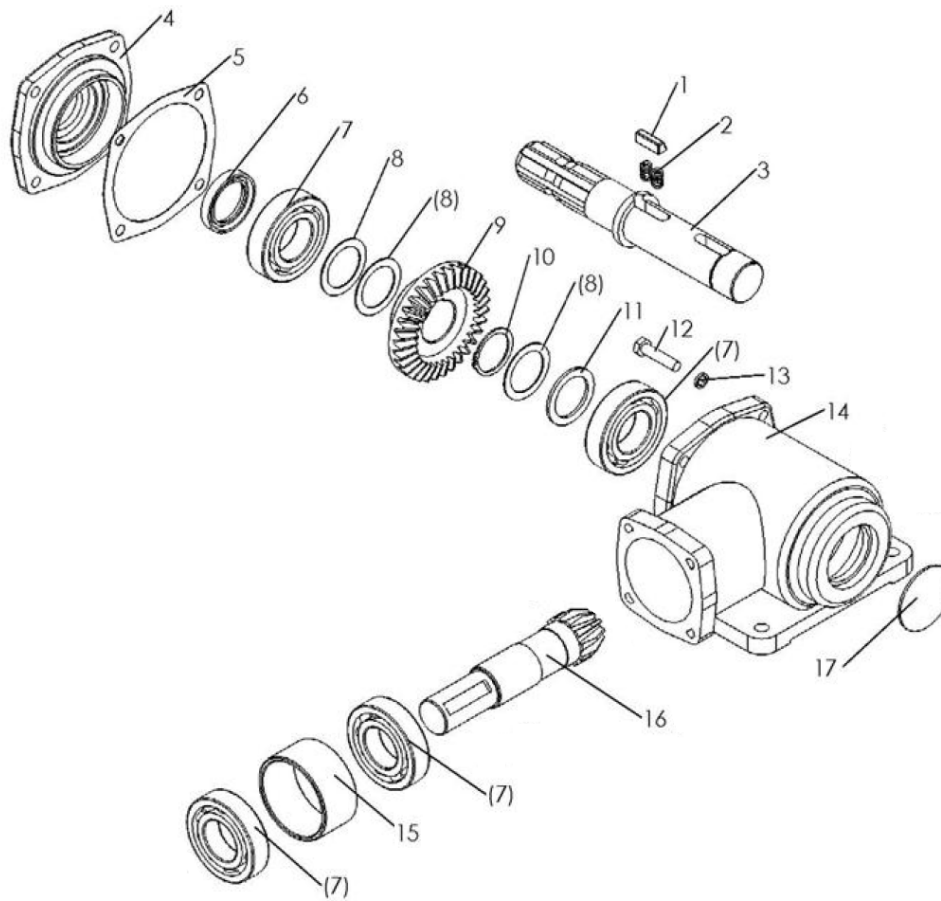
SerNo	PartNo	Description	Quantity
1	RK120	Gearbox complete	1
2,1	RK120.166.1	Shaft 105-125	1
2,2	RK120.166.2	Shaft 145-155	1
2,3	RK120.166.3	Shaft 165-175	1
3,1	RK120.026.1	Shaft tube weldment 105-125	1
3,2	RK120.026.2	Shaft tube weldment 145-155	1
3,3	RK120.026.3	Shaft tube weldment 165-175	1
4	GB1096-79	Key 10x30	1
5	EF100.01.113	Paper gasket	1
6	EF100.01.101	Connected sleeve	1
7	GB1096-79	Key 10x45	1
8	GB/T276-94	Bearing 6007	1
9	GB893.1-86	Blocked patch 62	1
10	GB13871-94	Oil seal 35x62x10	1
11		Combined seal washer	1
12	200.38.024	Oil drain plug	1
13	GB93-87	Plain washer 8	8
14	GB5783-86	Hex. head bolt M8x35	4

EFG_BladeAxleSubassembly



SerNo	PartNo	Description	Quantity
1	UC207-Z	Bearing with flange 90207	2
2,1	EFG120.013.105	Blade axle weldment 105	1
2,2	EFG120.013.125	Blade axle weldment 125	
2,3	EFG120.013.145	Blade axle weldment 145	
2,4	EFG120.013.155	Blade axle weldment 155	
2,5	EFG120.013.165	Blade axle weldment 165	
2,6	EFG120.013.175	Blade axle weldment 175	
3	GB5782-86	Bolt M12x80	20
4	EF100.00.103	Sleeve	40
5	EF100.00.102	Couple Blade Ø12 105	
6	GB6184-86	Locking nut M12	20
7	GB13871-94	Oil seal FB55X80X8	1
8	RK120.109	Oil-sealing sleeve	1
9	EF 100.00.107	Hammer Ø12 105	

EFG_Gearbox



SerNo	PartNo	Description	Quantity
1	EF100.01.110	Key	1
2	EF100.01.111	Pressure spring	2
3	EF100.01.106	Input shaft	1
4	EF100.01.107	Bearing cover	1
5	EF100.01.108	Paper gasket	1
6	GB13871-94	Oil seal 35×55×8	1
7	GB/T276-94	Bearing 6207	4
8	EF100.01.109	Adjusting shim	4
9	EF100.01.112	Bevel gear	1
10	GB894.1-86	Blocked patch 35	1
11	EF100.01.114	Retainer	1
12	GB5783-86	Hex. head bolt M8×30	4
13	GB93-87	Plain washer 8	8
14	EF100.01.113	Case	1
15	EF100.01.104	Spacer sleeve	1
16	EF100.01.105	Output shaft	1
17	ZB T32 002-88	Blocked patch	1