

Macchina

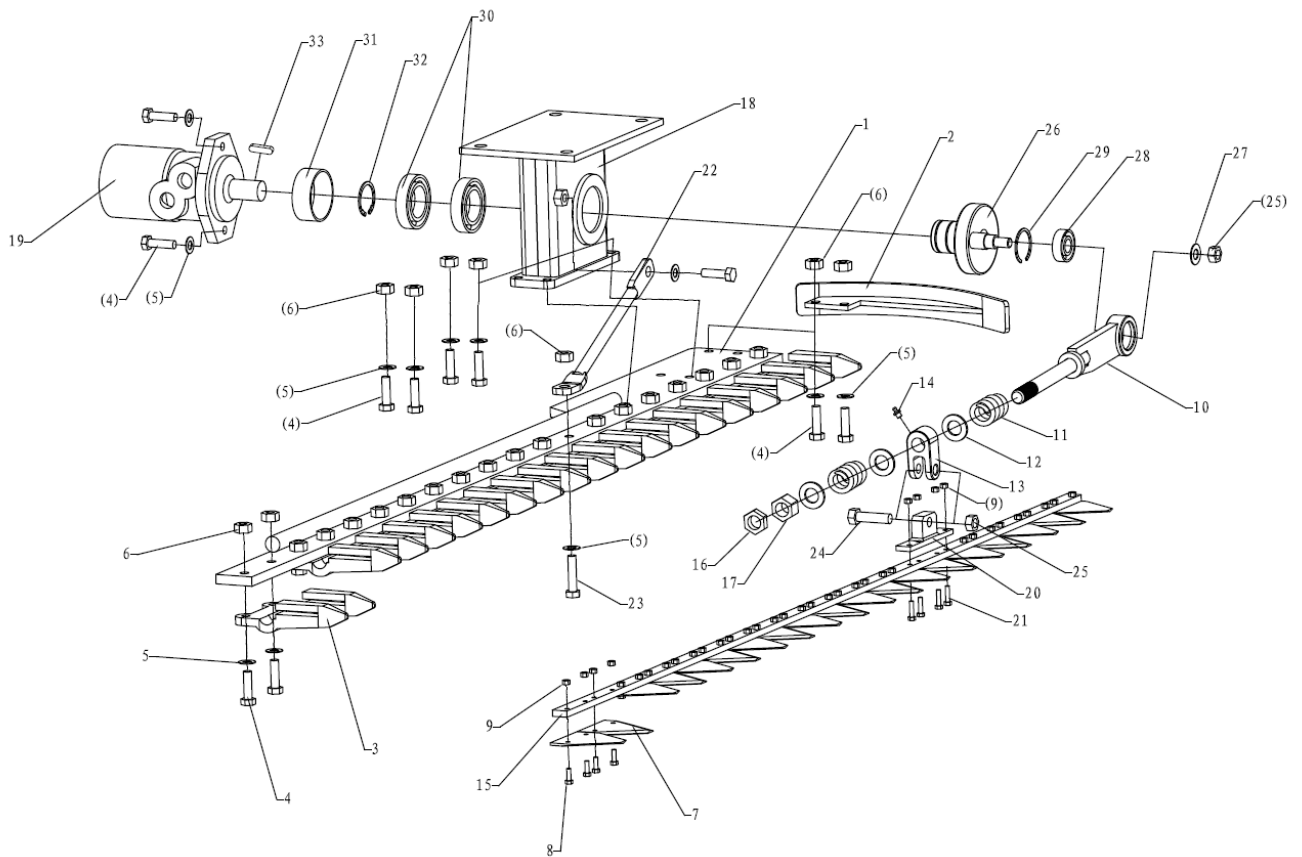
AMD



Sezione

1

AMD_bar



SerNo	PartNo	Description	Quantity
1	CH150.011	Main frame	1
2	CH150.012	Skid	1
3	CH150.101	Knife protector	10
4	GB5783	Bolt M10X35	28
5	GB97.1	Washer 10	29
6	GB/T889.1	Locking nut M10	26
7	CH150.102	Knife	19
8	GB5783	Bolt M5X15	34
9	GB/T889.1	Locking nut M5	38

10	CH150.013	Connector	1
11	CH150.106	Spring	2
12	GB97.1	Washer 18	3
13	CH150.104	Block	1
14	GB1152	Grease nipple M6	1
15	CH150.105	Knife keeper	1
16	GB6172-86	Thin nut M18	1
17	GB6170-86	Nut M18	1
18	CH150.014	Bearing house	1
19	CH150.002	Hydraulic motor	1
20	CH150.103	Block	1
21	GB5783	Bolt M5X20	4
22	CH150.015	Supporter	1
23	GB5783	Bolt M10X45	1
24	GB5783	Bolt M12X45	1
25	GB/T889.1	Locking nut M12	2
26	CH150.016	Bent axle	1
27	GB97.1	Washer 12	1
28	GB/T276-1994	Bearing 6203	1
29	GB893.1-86	Hole ring 40	1
30	GB/T276-1994	Bearing 6008	2
31	CH150.107	Space bush	1
32	GB894.1-86	Shaft ring 40	1
33	GB/T1096-2003	Key 8X7X32	1